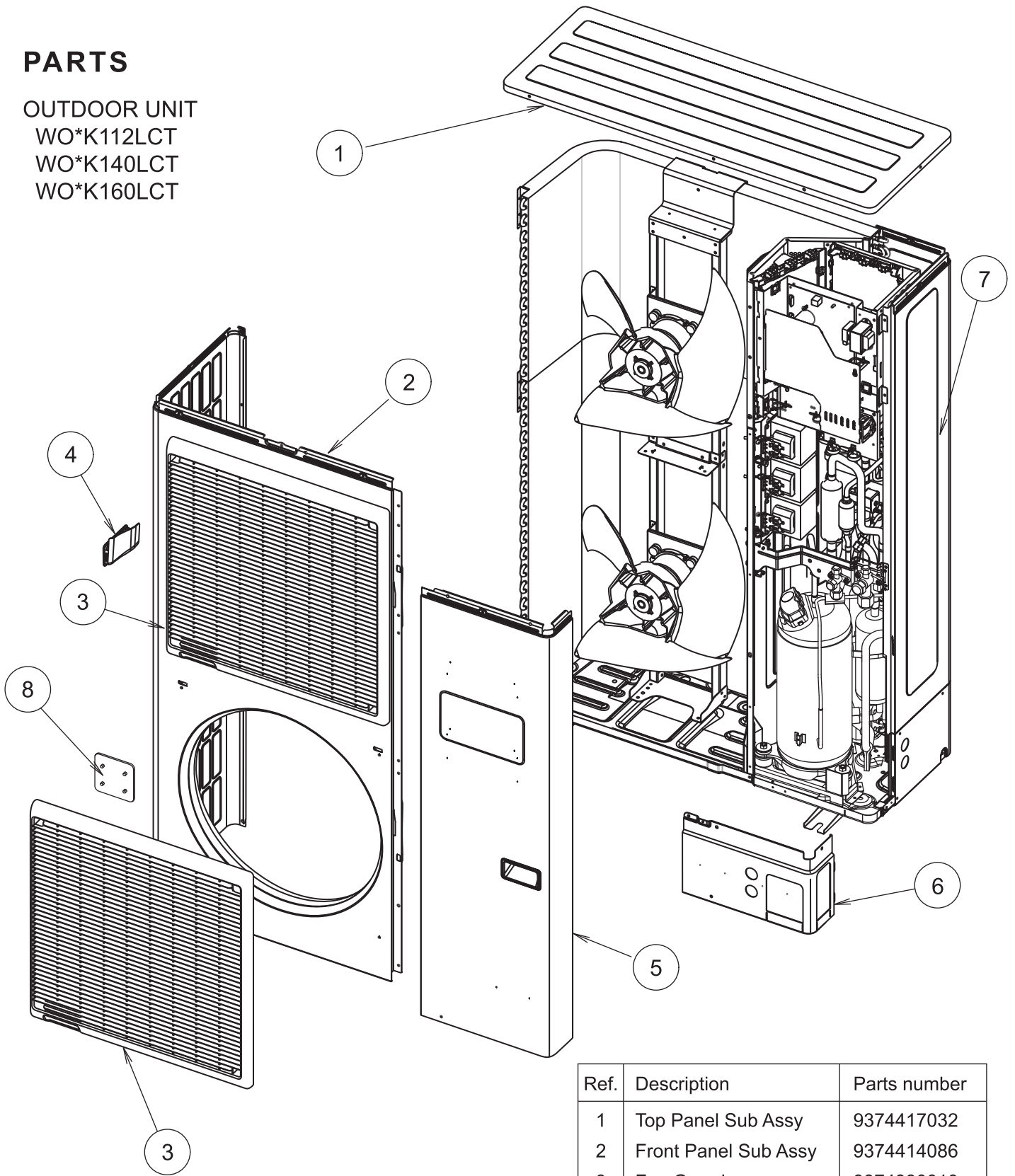


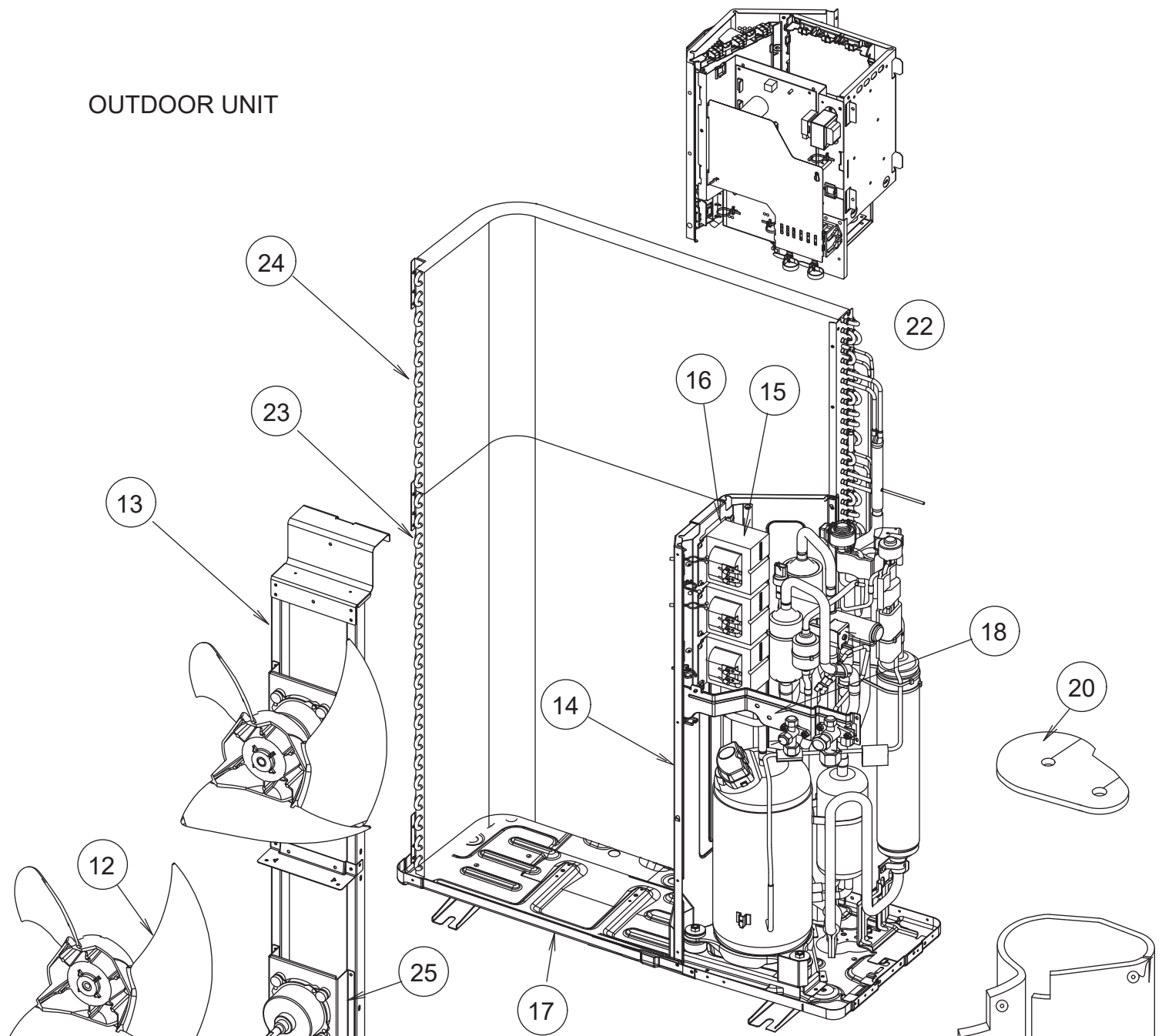
PARTS

OUTDOOR UNIT
 WO*K112LCT
 WO*K140LCT
 WO*K160LCT



Ref.	Description	Parts number
1	Top Panel Sub Assy	9374417032
2	Front Panel Sub Assy	9374414086
3	Fan Guard	9374330010
4	Grip Side	9374173013
5	Sevice Panel Sub Assy	9374415076
6	Pipe Cover Front	9378861015
7	Right Panel Sub Assy	9374416202
8	Fan Guard Cover	9378111011
--	Emblem Rear	9351355005
--	Protective Net	9375381042
--	Drain Assy	9303029015
--	Drain Cap	313166024302

OUTDOOR UNIT

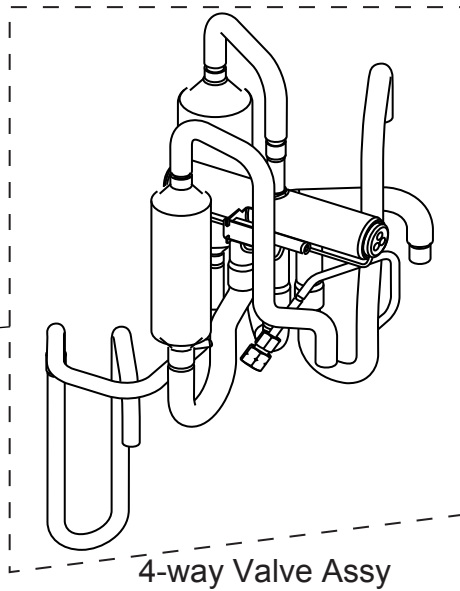


Ref.	Description	Parts number
11	Motor DC Brushless	9602843046
12	Propeller Fan Assy	9366378020
13	Motor Bracket Sub Assy	9374418145
14	Separate Wall Sub Assy	9374413232
15	Reactor Assy	9900641016
16	Reactor Holder Sub Assy	9379067010
17	Base Assy	9374166251
18	Valve Plate	9378804012
19	Compressor Cover A	9378611085
20	Compressor Cover B	9378612068
21	Compressor Cover C	9379755009
22	Condenser Total Assy (Service unit)	9383062018*
23	Condenser A Sub Assy	9374420674
24	Condenser B Sub Assy	9374422159
25	Motor Bracket CTR B	9374611010

NOTE:
*When ordering condenser, be sure to order Condenser total assy, but not Condenser A sub assy or Condenser B sub assy because the supply unit of the condenser has been changed.

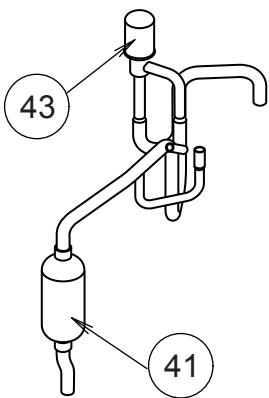
OUTDOOR UNIT

33



4-way Valve Assy

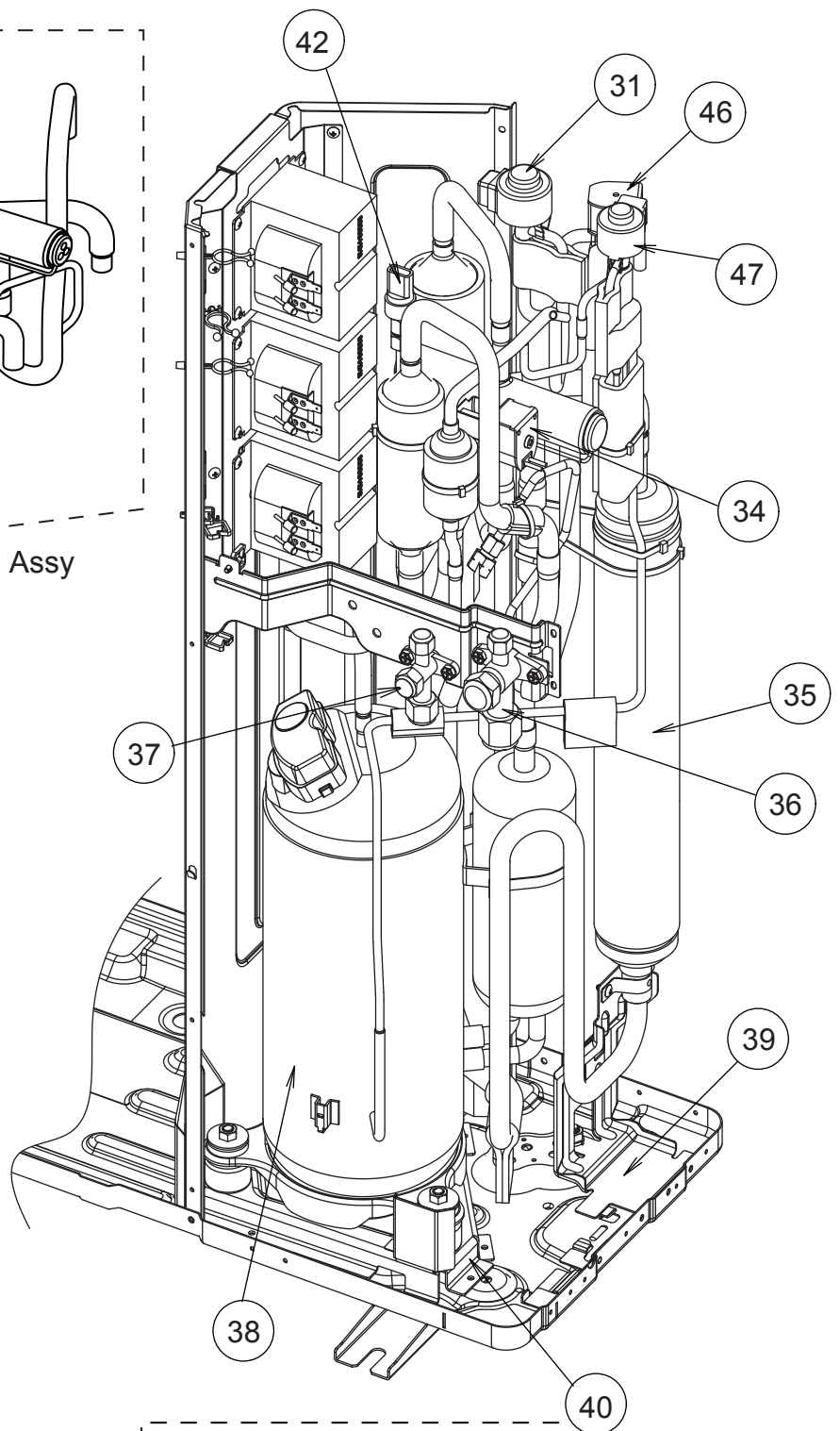
43



32

Expansion Valve Assy

41



42

31

46

47

34

35

36

37

39

38

40

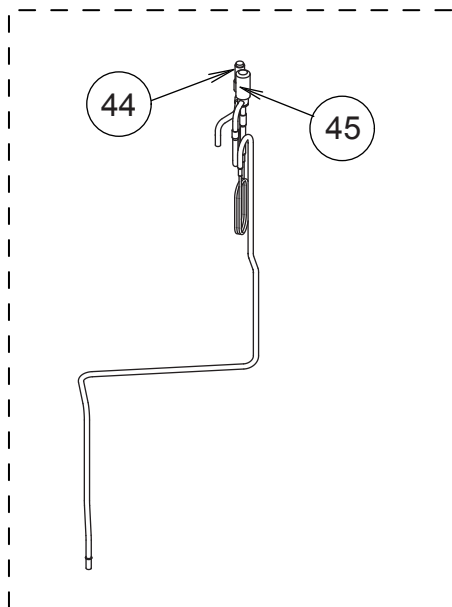
44

45

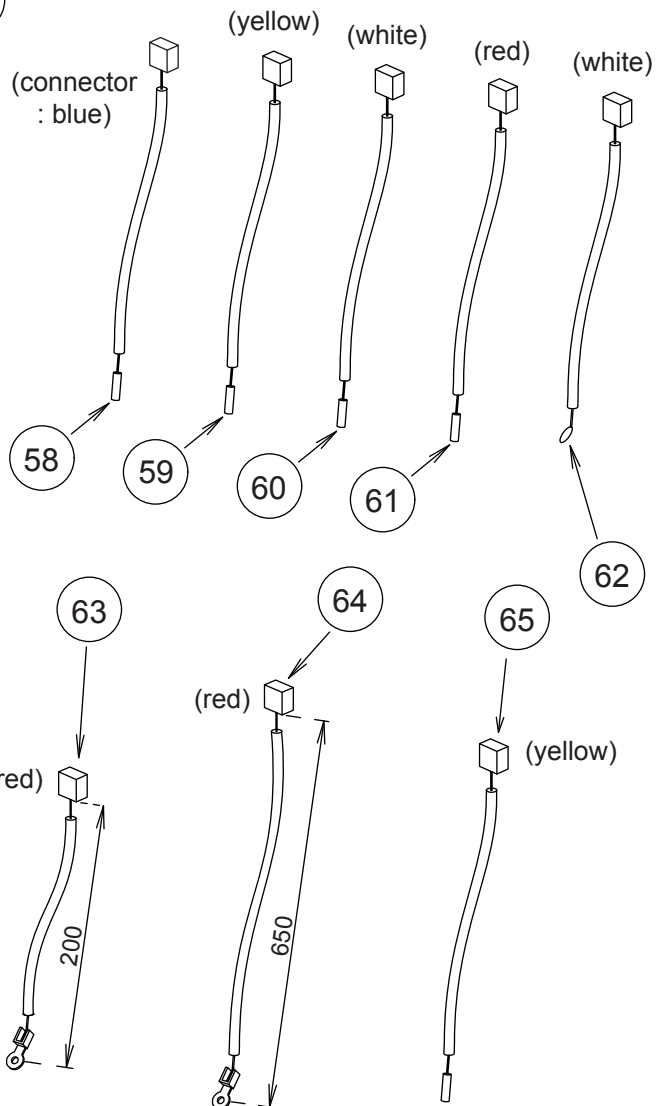
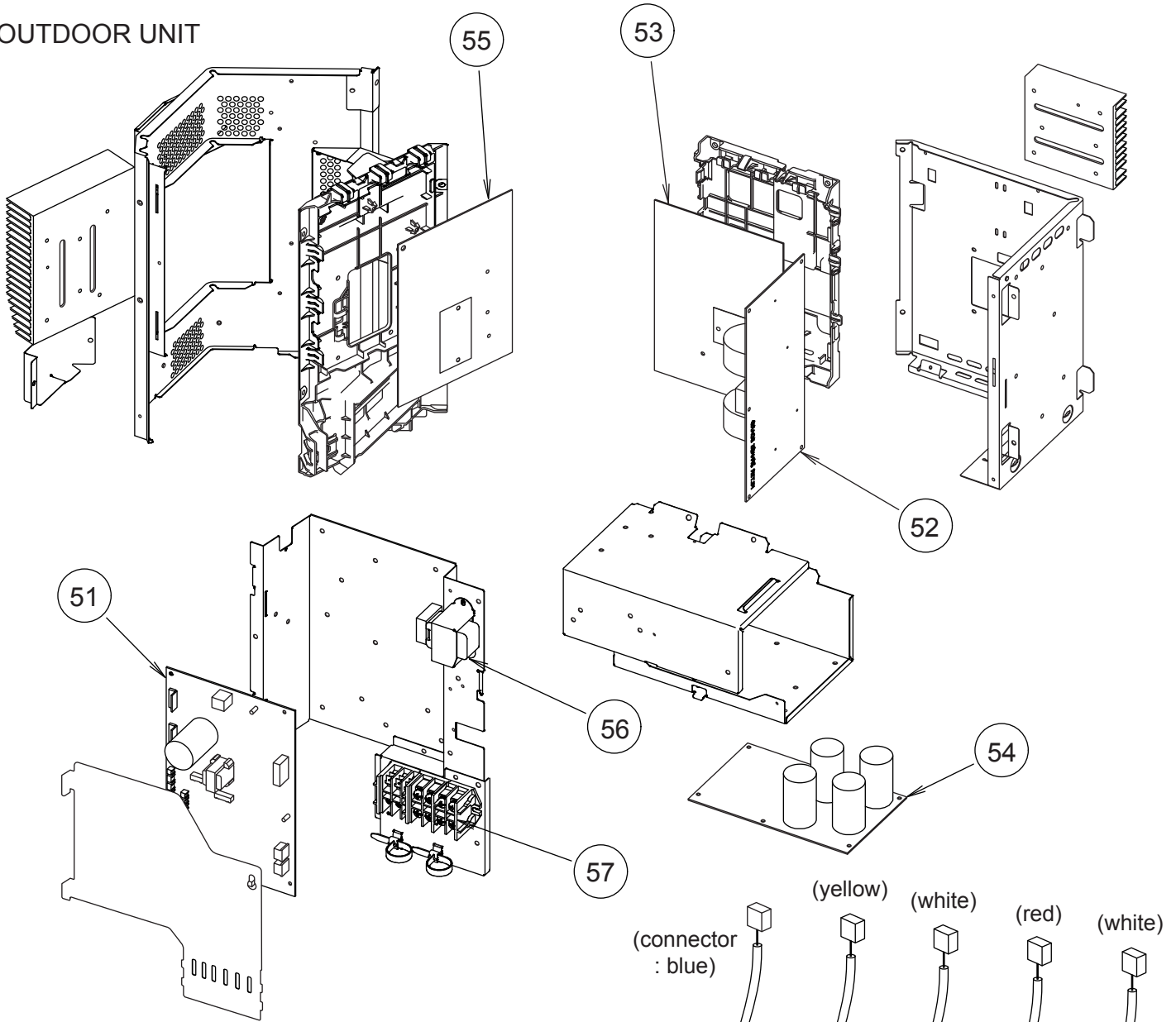
48

Ref.	Description	Parts number
31	Coil (Expansion Valve)	9970098024
32	Expansion Valve Assy	9370947205
33	4-way Valve Assy	9374425280
34	Solenoid (4-way)	9970113024
35	Accumulator	9385005006
36	3-way Valve Assy	9379079006
37	3-way Valve Assy	9379077002
38	Compressor Sub Assy	9374423293
39	Accumulator Holder	9379540001
40	Compressor Plate Assy	9378826021
41	Strainer Assy	9372524039
42	Sensor (Pressure)	9900505011
43	Expansion Valve	9900170059
44	Solenoid Valve	9970046018
45	Expansion Valve	9900056025
46	Solenoid (injection)	9970099014
47	Coil (Expansion Valve)	9970095016
48	Joint Pipe (Injection) Assy	9379504072

Joint Pipe (Injection) Assy



OUTDOOR UNIT



Ref.	Description	Parts number
51	Main PCB Assy (112)	9708292090
51	Main PCB Assy (140)	9708292083
51	Main PCB Assy (160)	9708292076
52	Filter PCB Assy	9707609011
53	Active Filter PCB Assy	9709008010
54	Capacitor PCB Assy	9707608014
55	Transister PCB Assy	9709010020
56	Reactor Assy	9900481018
57	Terminal	9900428082
58	Compressor Thermistor	9900516000
59	Thermistor (Discharge)	9900515003
60	Thermistor (Heat Exchanger Med)	9900513009
61	Thermistor (Heat Exchanger Out)	9900514006
62	Thermistor (Outdoor)	9900517007
63	Heatsink Thermistor (Inverter)	9900518011
64	Heatsink Thermistor (PFC)	9900518028
65	EEV Thermistor	9900553005