

SPLIT TYPE
ROOM AIR CONDITIONER
WALL MOUNTED TYPE

SERVICE MANUAL



Indoor unit	Outdoor unit
ASYG18LFCA	AOYG18LFC

CONTENTS

SPECIFICATIONS	1
DIMENSIONS	2
REFRIGERANT SYSTEM DIAGRAM ...	3
CIRCUIT DIAGRAM	4
INDOOR PCB CIRCUIT DIAGRAM	5
OUTDOOR PCB CIRCUIT DIAGRAM ...	8
ERROR DETECTION	10
PARTS (INDOOR UNIT)	11
PARTS (OUTDOOR UNIT)	15
ACCESSORIES	18

SPECIFICATIONS

ELECTRICAL DATA

INDOOR UNIT	ASYG18LFCA
OUTDOOR UNIT	AOYG18LFC
POWER SOURCE	230 V
FREQUENCY	50 Hz
COOLING CAPACITY	5.20 kW
HEATING CAPACITY	6.30 kW
RUNNING CURRENT (Cool)	6.8 A
RUNNING CURRENT (Heat)	7.6 A
INPUT WATTS (Cooling)	1.52 kW
INPUT WATTS (Heating)	1.71 kW
E.E.R. (Cooling)	3.42 kW/kW
C.O.P. (Heating)	3.68 kW/kW
MAXIMUM CURRENT (Cool)	9.0 A
MAXIMUM CURRENT (Heat)	12.5 A
MOISTURE REMOVAL	2.6 L/hr
AIR CIRCULATION HIGH	900 m ³ /hr

FAN MOTOR

POWER SOURCE		230 V
INDOOR UNIT	High	1,220 r.p.m.
	Medium	1,020 r.p.m.
	Low	900 r.p.m.
	Quiet	710 r.p.m.
OUTDOOR UNIT	Cool	920 r.p.m.
	Heat	870 r.p.m.

NOISE LEVEL

INDOOR UNIT (Cooling)	High	43 dB
	Medium	37 dB
	Low	33 dB
	Quiet	26 dB
INDOOR UNIT (Heating)	High	42 dB
	Medium	37 dB
	Low	33 dB
	Quiet	25 dB
OUTDOOR UNIT (Cool)		50 dB
OUTDOOR UNIT (Heat)		51 dB

COMPRESSOR AND REFRIGERANT

TYPE	Hermetic type, 4 pole, Rotary, DC inverter motor	
DISCRIMINATION	808 903 80	
WEIGHT (with oil)	9.0 kg	
REFRIGERANT TYPE	R410A	
PRECHARGED REFRIGERANT	1,200 g	
FULL CHARGE	Pipe Length 15 m	1,200 g
	20 m	1,300 g
	25 m	1,400 g
ADDITIONAL CHARGE	20 g/m	
MAX HEIGHT	20 m	

DIMENSIONS

INDOOR UNIT	H x W x D	320 x 998 x 238 mm
OUTDOOR UNIT	H x W x D	620 x 790 x 290 mm

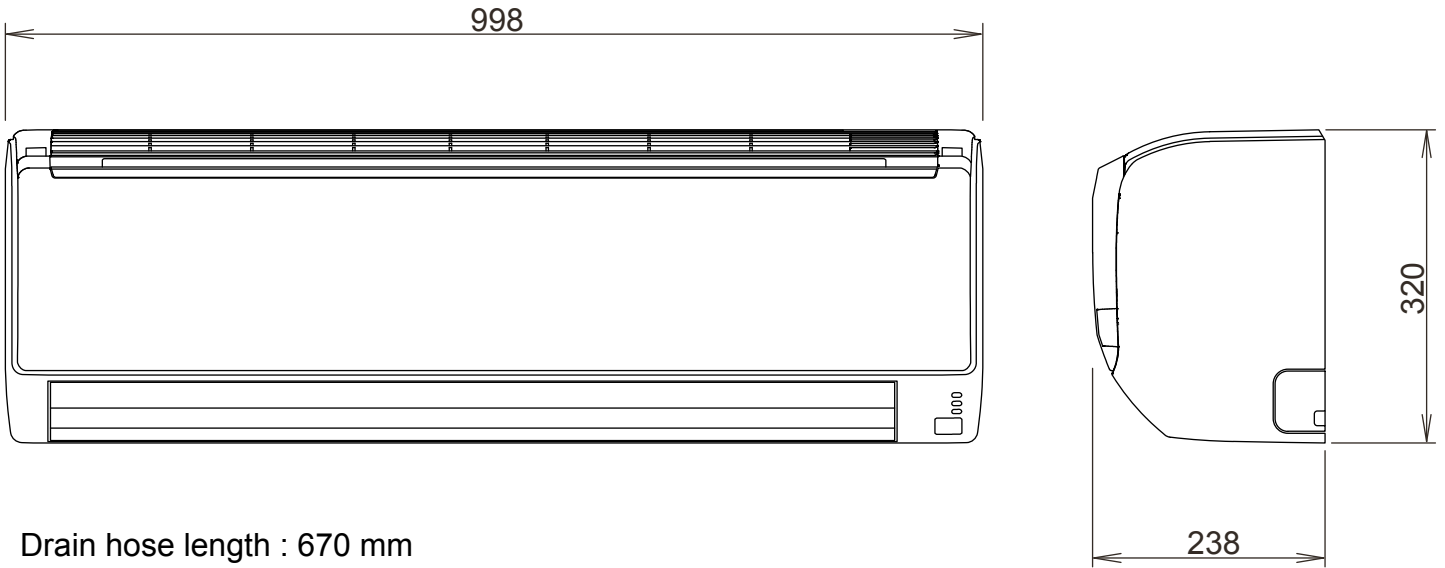
WEIGHT

INDOOR UNIT	Shipping / Net	18 kg / 14 kg
OUTDOOR UNIT	Shipping / Net	45 kg / 41 kg

DIMENSIONS

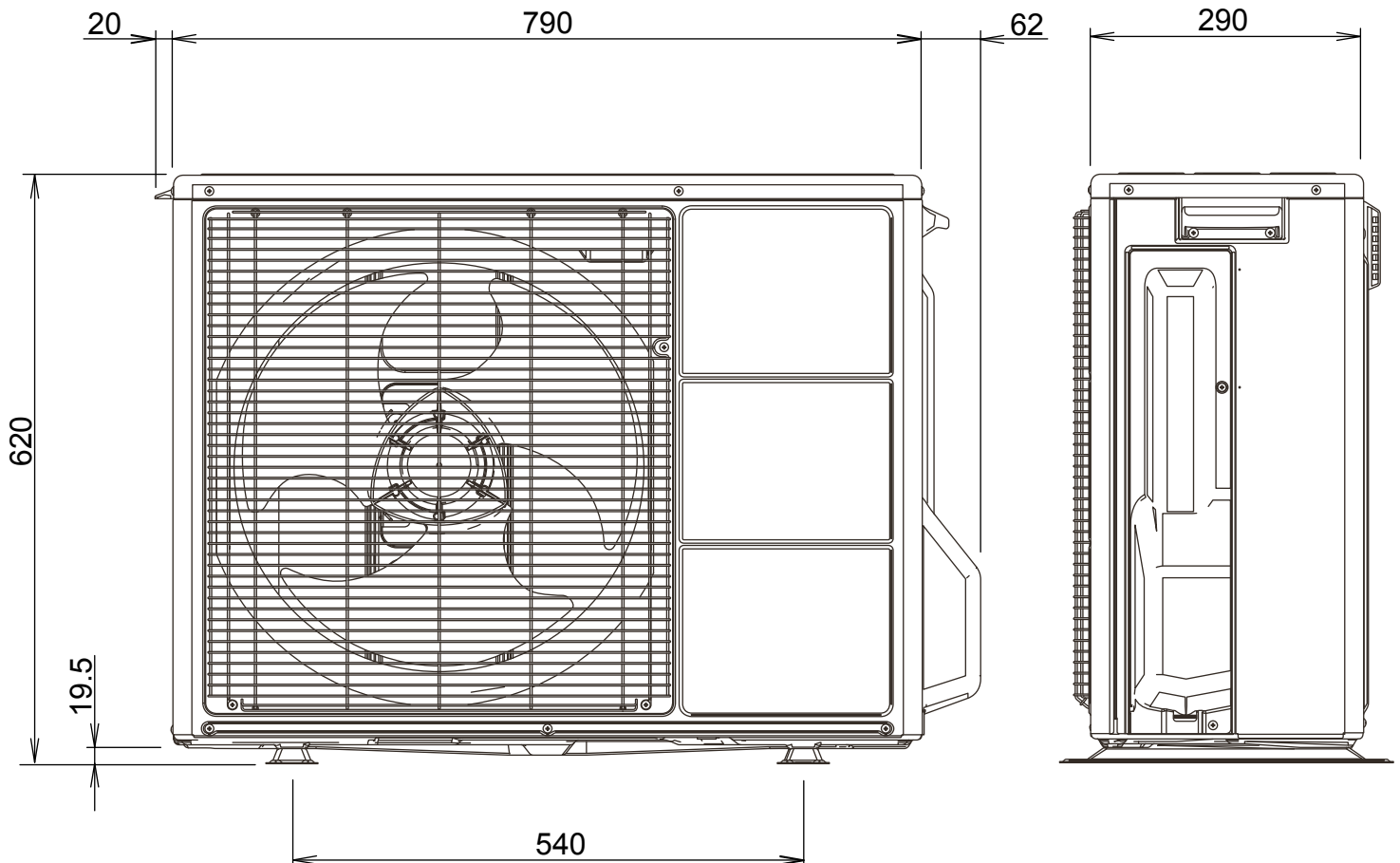
Unit : mm

INDOOR UNIT

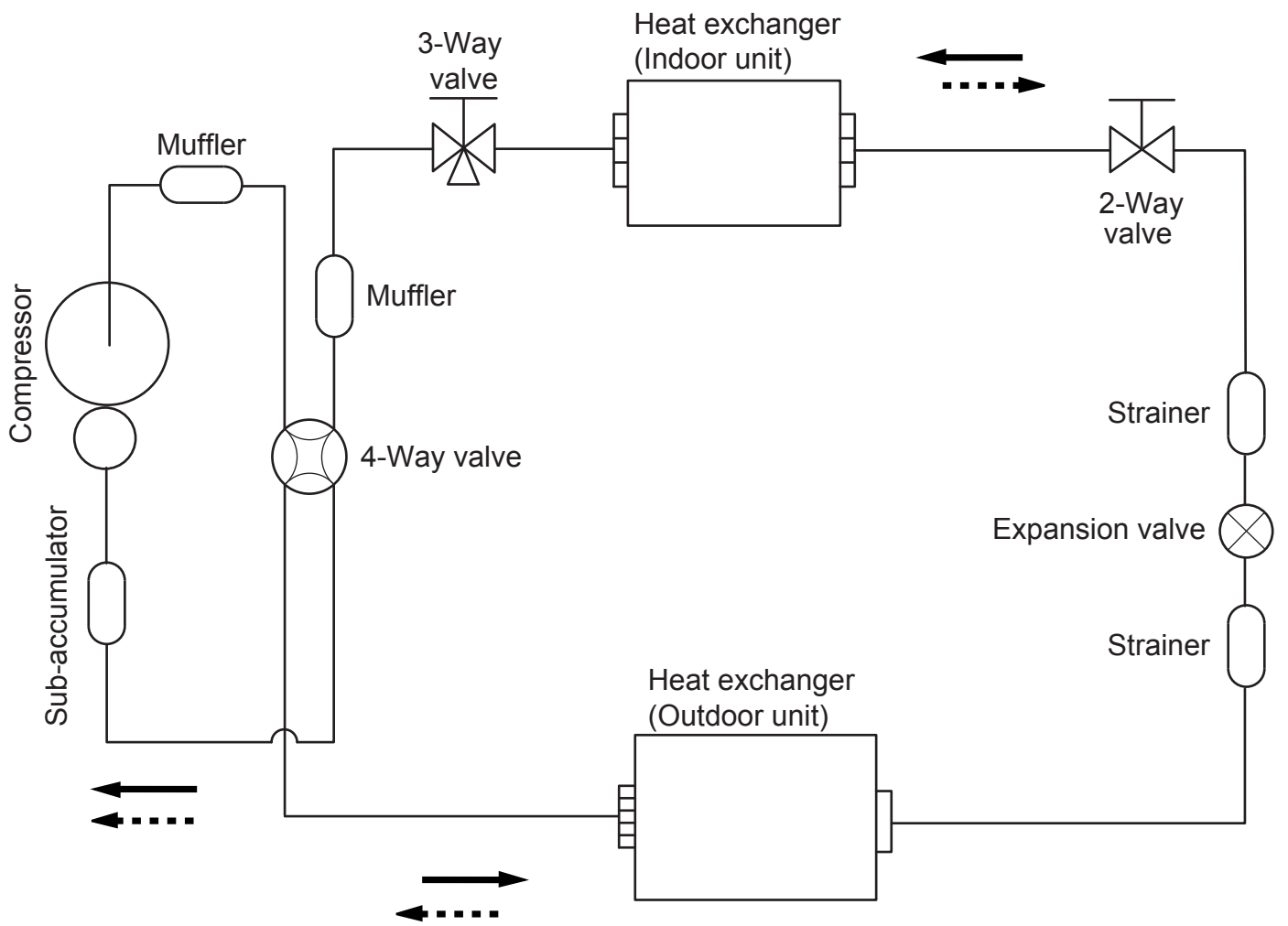


Drain hose length : 670 mm

OUTDOOR UNIT



REFRIGERANT SYSTEM DIAGRAM



Refrigerant direction

-  Cooling
-  Heating

Refrigerant pipe diameter

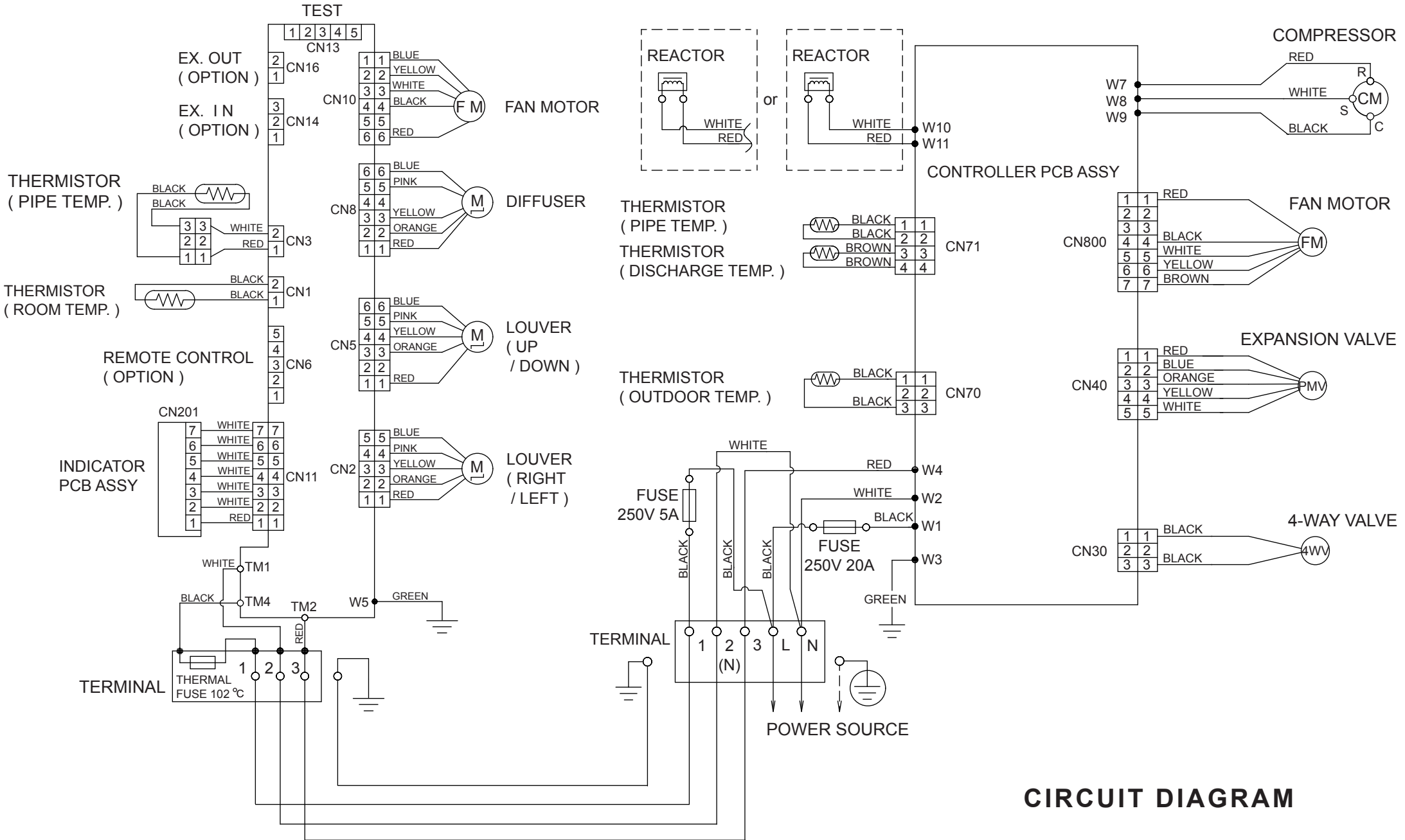
Liquid : 1/4" (6.35 mm)

Gas : 1/2" (12.7 mm)

INDOOR UNIT

CONTROLLER
PCB ASSY
(MAIN PCB)

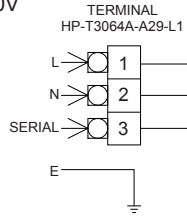
OUTDOOR UNIT



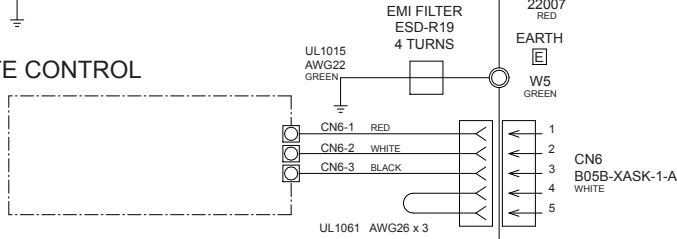
CIRCUIT DIAGRAM

CONTROL UNIT EZ-010YHSE

POWER SOURCE
AC230V
50Hz



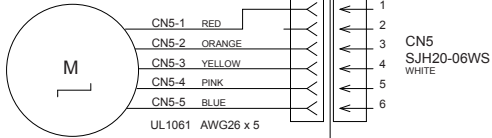
WIRED REMOTE CONTROL
(OPTION)



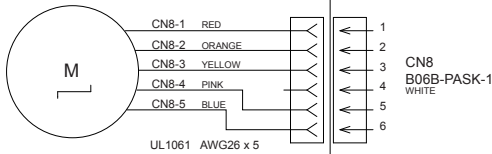
LOUVER (RIGHT / LEFT)



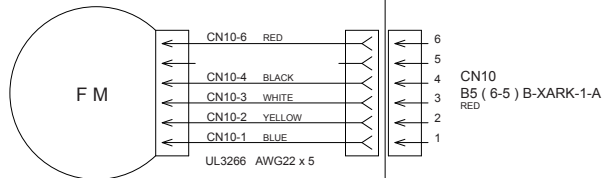
LOUVER (UP / DOWN)



LOUVER (DIFFUSER)

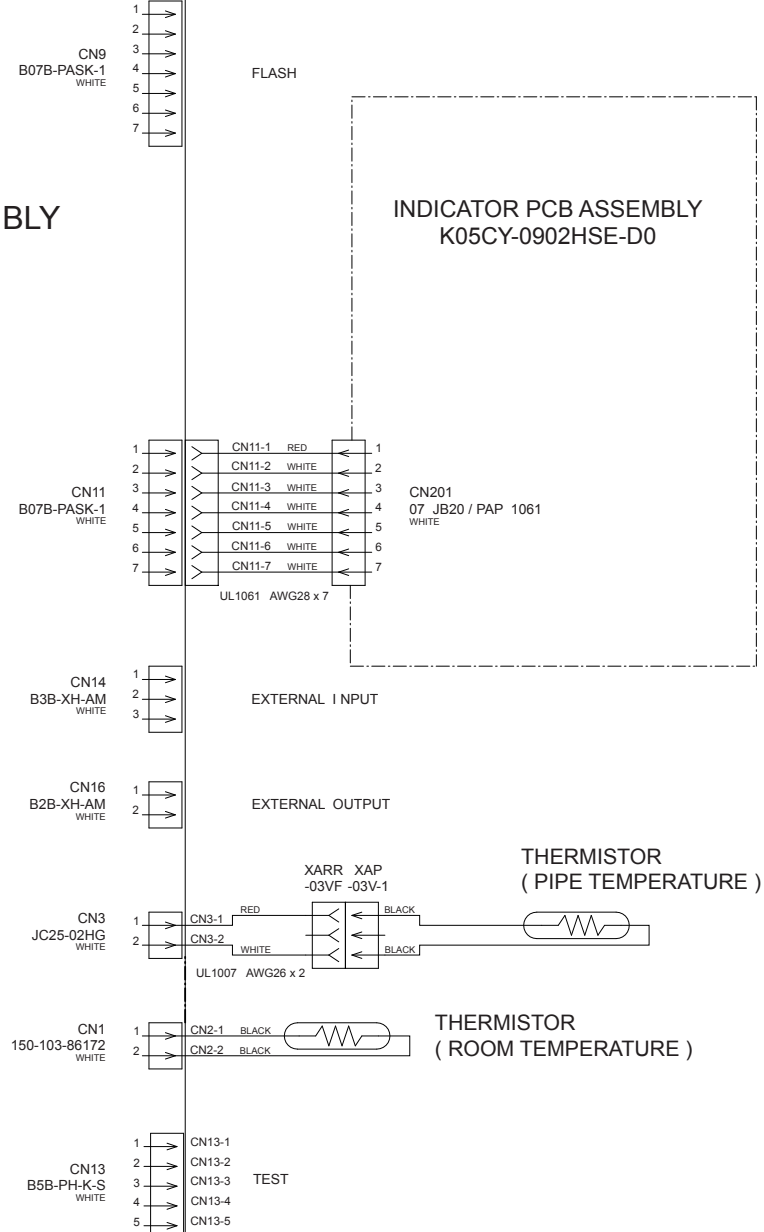


DC FAN MOTOR

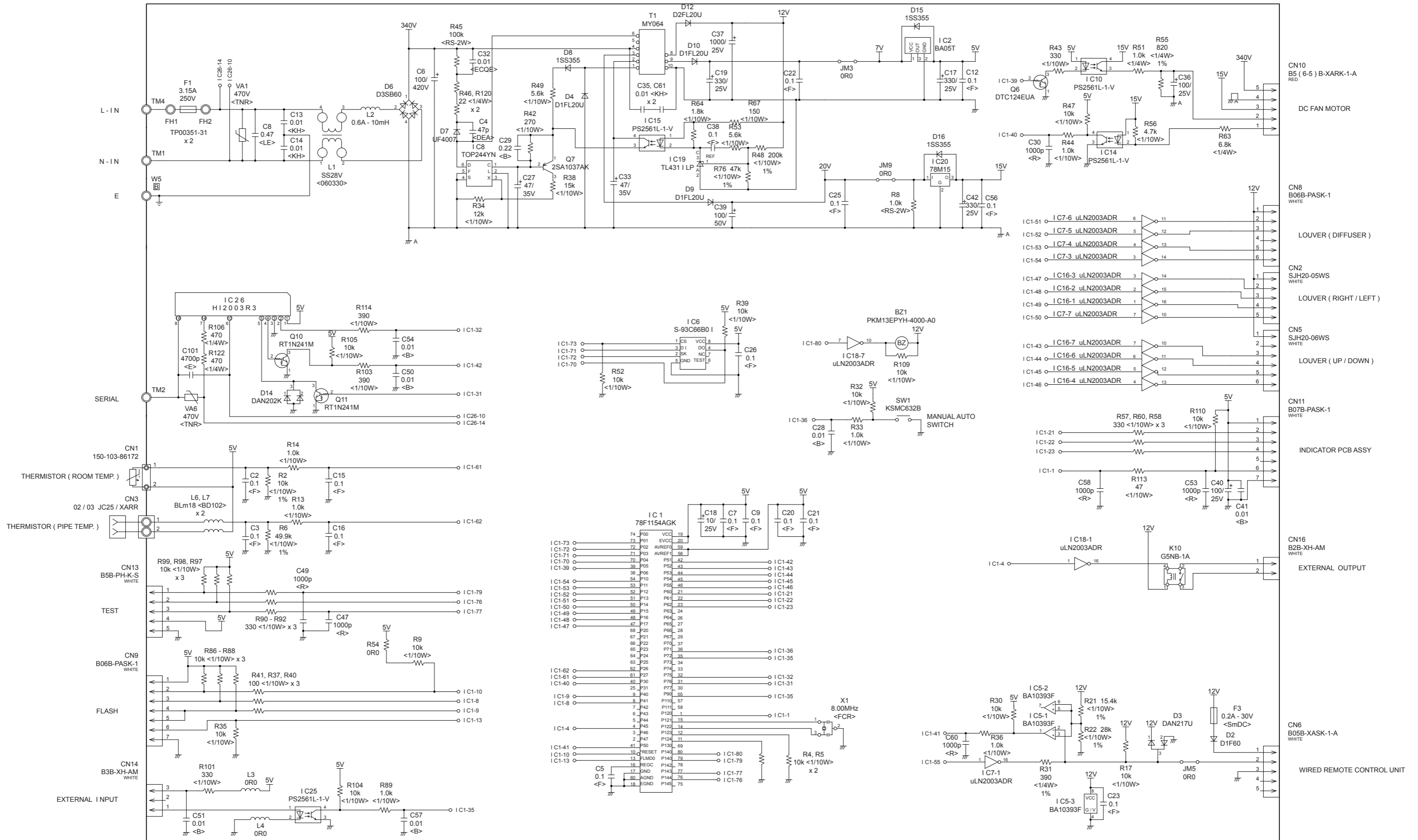


CONTROLLER PCB ASSEMBLY (MAIN PCB) K09DR-1001HSE-C1

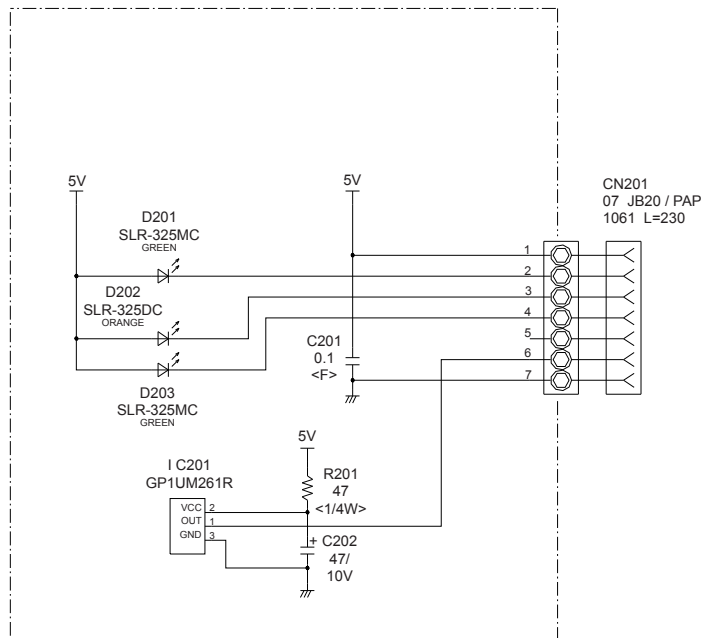
INDOOR PCB CIRCUIT DIAGRAM



INDOOR UNIT
 CONTROLLER PCB ASSEMBLY (MAIN PCB)
 K09DR-1001HSE-C1

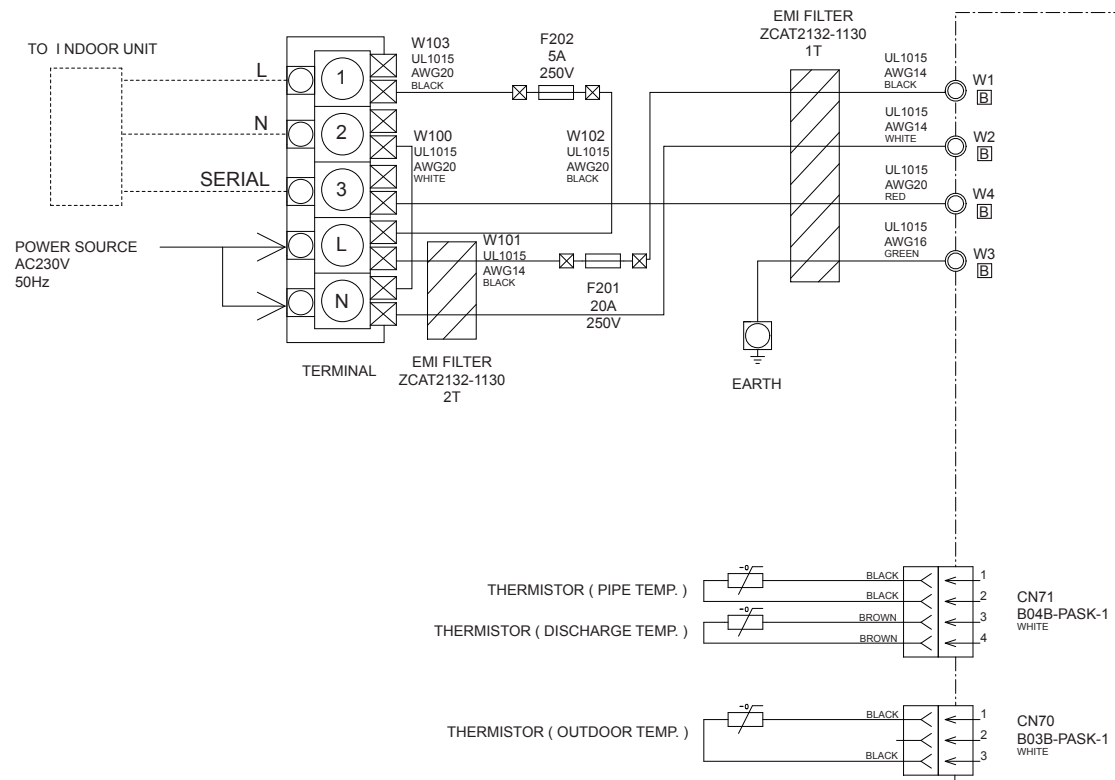


INDOOR UNIT
 INDICATOR PCB ASSEMBLY
 K05CY-0902HSE-D0

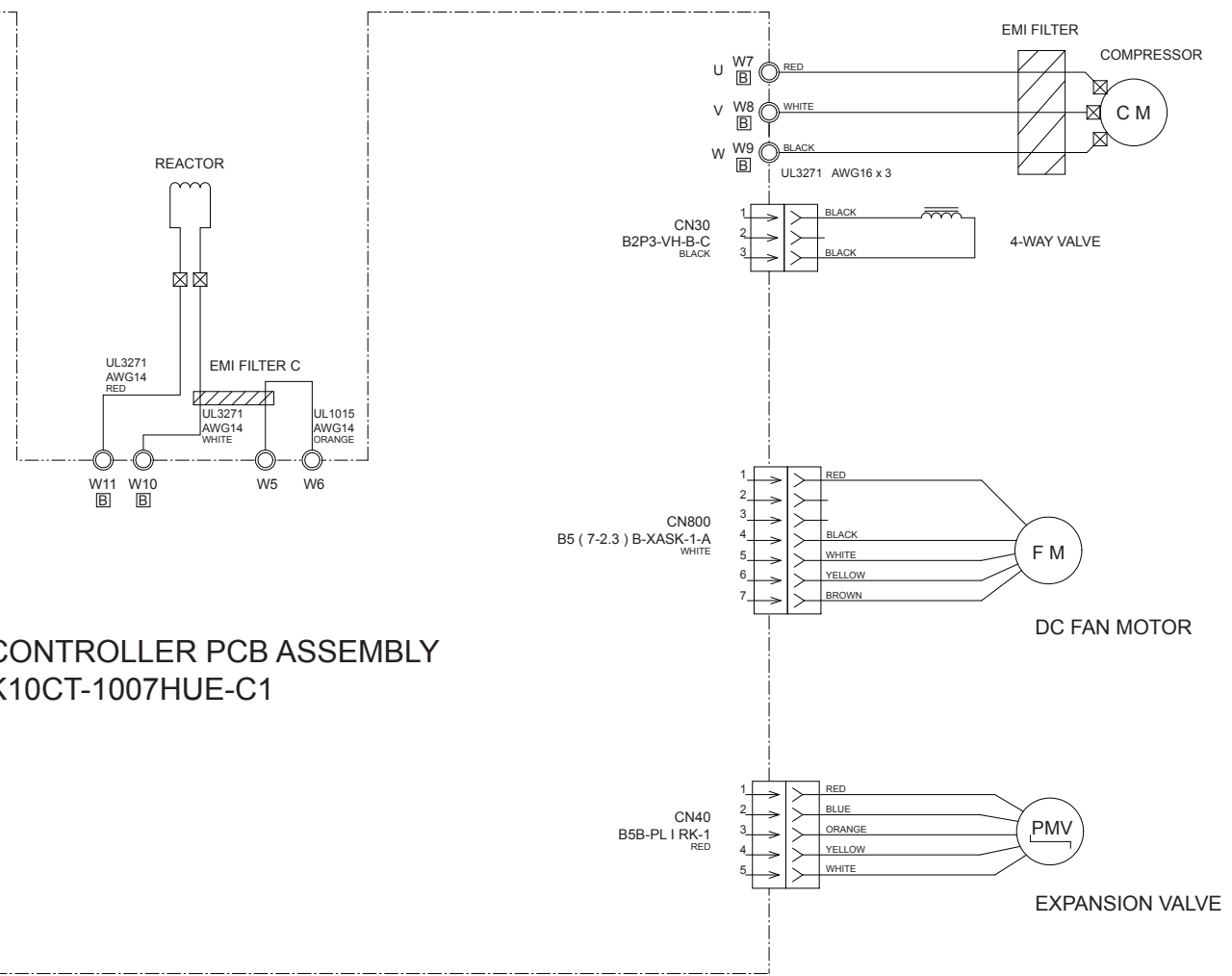


OUTDOOR PCB CIRCUIT DIAGRAM

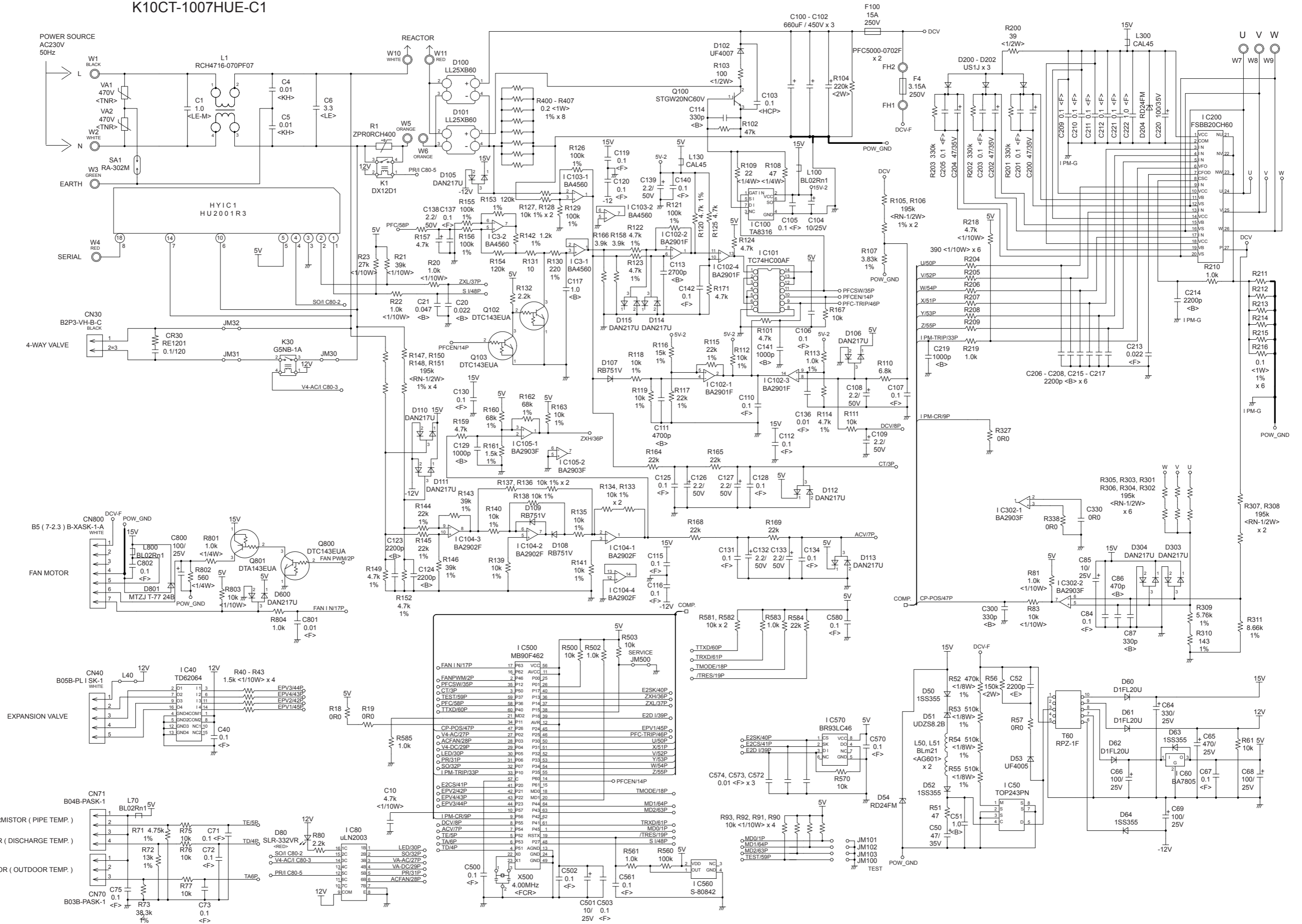
INVERTER ASSEMBLY EZ-0101MHUE



CONTROLLER PCB ASSEMBLY K10CT-1007HUE-C1



OUTDOOR UNIT CONTROLLER PCB ASSEMBLY K10CT-1007HUE-C1

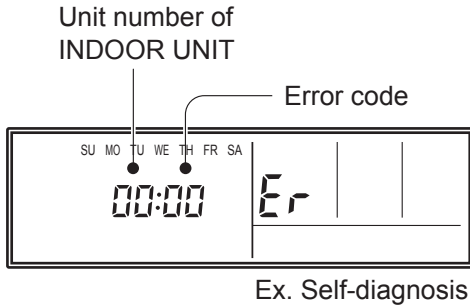


ERROR DETECTION

INDOOR UNIT and REMOTE CONTROL

If an error occurs, the following display will be shown.

("Er" will appear in the set room temperature display.)

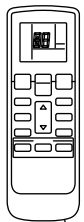
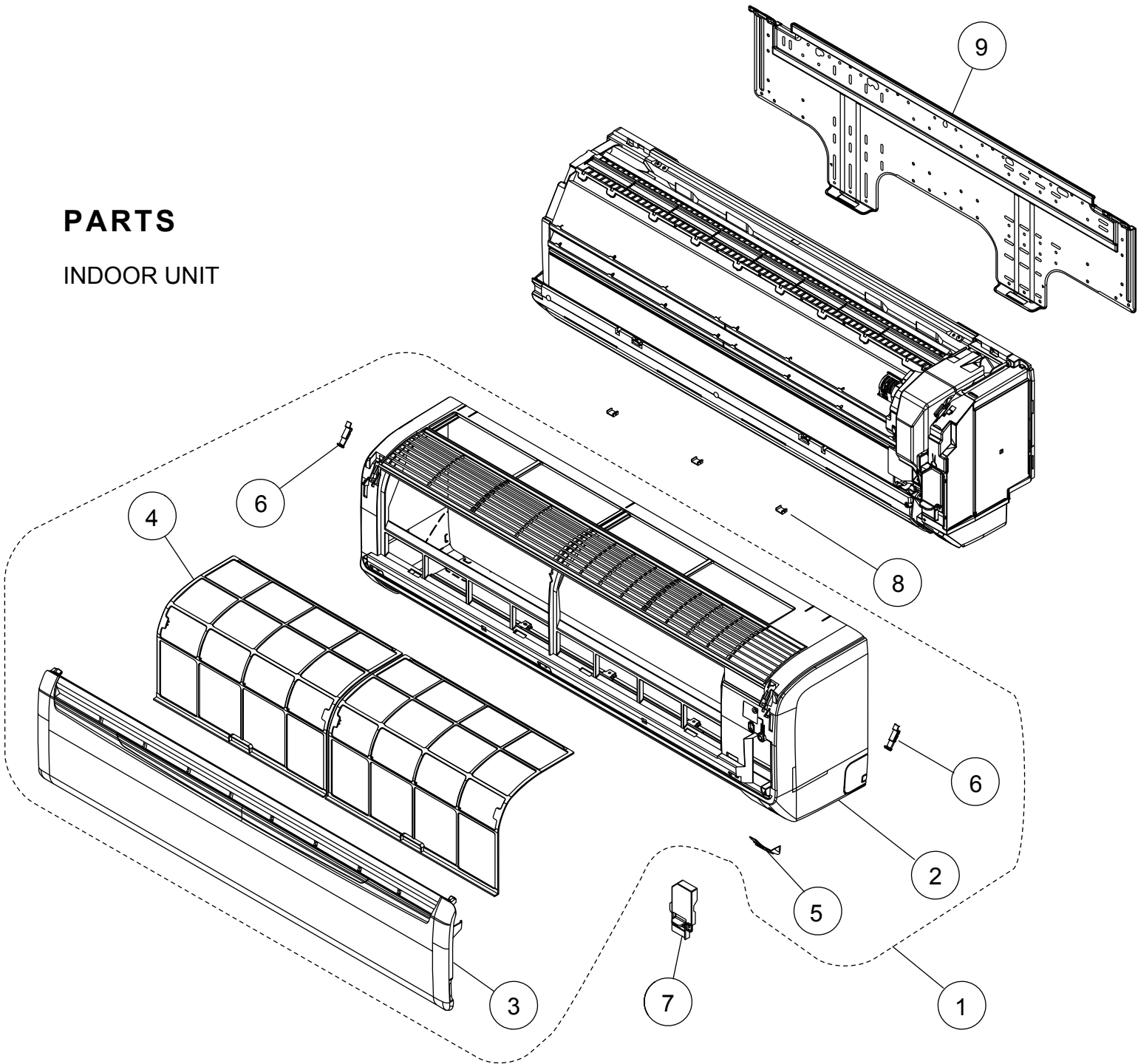


- : 0.5s ON / 0.5s OFF
- ◇ : 0.1s ON / 0.1s OFF
- () : Number of flashing

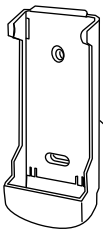
Indoor unit			Wired remote control	Mode	DESCRIPTION
OPERATION lamp (green)	TIMER lamp (orange)	ECO lamp (green)			
● (1)	● (1)	◇	11	Communication	Serial communication error
● (1)	● (2)	◇	12	Communication	Wired remote control communication error
● (2)	● (2)	◇	22	System	Indoor unit capacity error
● (3)	● (1)	◇	31	Indoor unit	Power supply interruption error
● (3)	● (5)	◇	35	Indoor unit	Manual auto switch error
● (3)	● (9)	◇	39	Indoor unit	fan motor driving circuit error
● (4)	● (1)	◇	41	Indoor unit	Inlet air temp. sensor error
● (4)	● (2)	◇	42	Indoor unit	Indoor Heat Ex. Middle Temp. Sensor error
● (5)	● (1)	◇	51	Indoor unit	Indoor unit fan motor1 error
● (5)	● (3)	◇	53	Indoor unit	Drainage error
● (5)	● (9)	◇	59	Indoor unit	Indoor unit fan motor2 error
● (5)	● (15)	◇	5U	Indoor unit	Indoor unit error
● (6)	● (2)	◇	62	Outdoor unit	Outdoor unit model information error
● (6)	● (3)	◇	63	Outdoor unit	Inverter error
● (6)	● (5)	◇	65	Outdoor unit	I.P.M. error
● (7)	● (1)	◇	71	Outdoor unit	Discharge temp. sensor error
● (7)	● (2)	◇	72	Outdoor unit	Compressor temp. sensor error
● (7)	● (3)	◇	73	Outdoor unit	Heat Ex. centre temp. sensor error Heat Ex. Liquid outlet temp. sensor error
● (7)	● (4)	◇	74	Outdoor unit	Outdoor temp. sensor error
● (7)	● (7)	◇	77	Outdoor unit	Heat sink temp. sensor error
● (8)	● (4)	◇	84	Outdoor unit	Current sensor error
● (8)	● (6)	◇	86	Outdoor unit	Pressure sensor error High pressure switch error
● (9)	● (4)	◇	94	Outdoor unit	Over current error
● (9)	● (5)	◇	95	Outdoor unit	Compressor control error
● (9)	● (7)	◇	97	Outdoor unit	Outdoor unit fan motor 1 error
● (9)	● (8)	◇	98	Outdoor unit	Outdoor unit fan motor 2 error
● (9)	● (9)	◇	99	Outdoor unit	4-way valve error
● (10)	● (1)	◇	A1	Refrigerant system	Discharge temp. error
● (10)	● (3)	◇	A3	Refrigerant system	Compressor temp. error
● (10)	● (5)	◇	A5	Refrigerant system	Low pressure error

PARTS

INDOOR UNIT



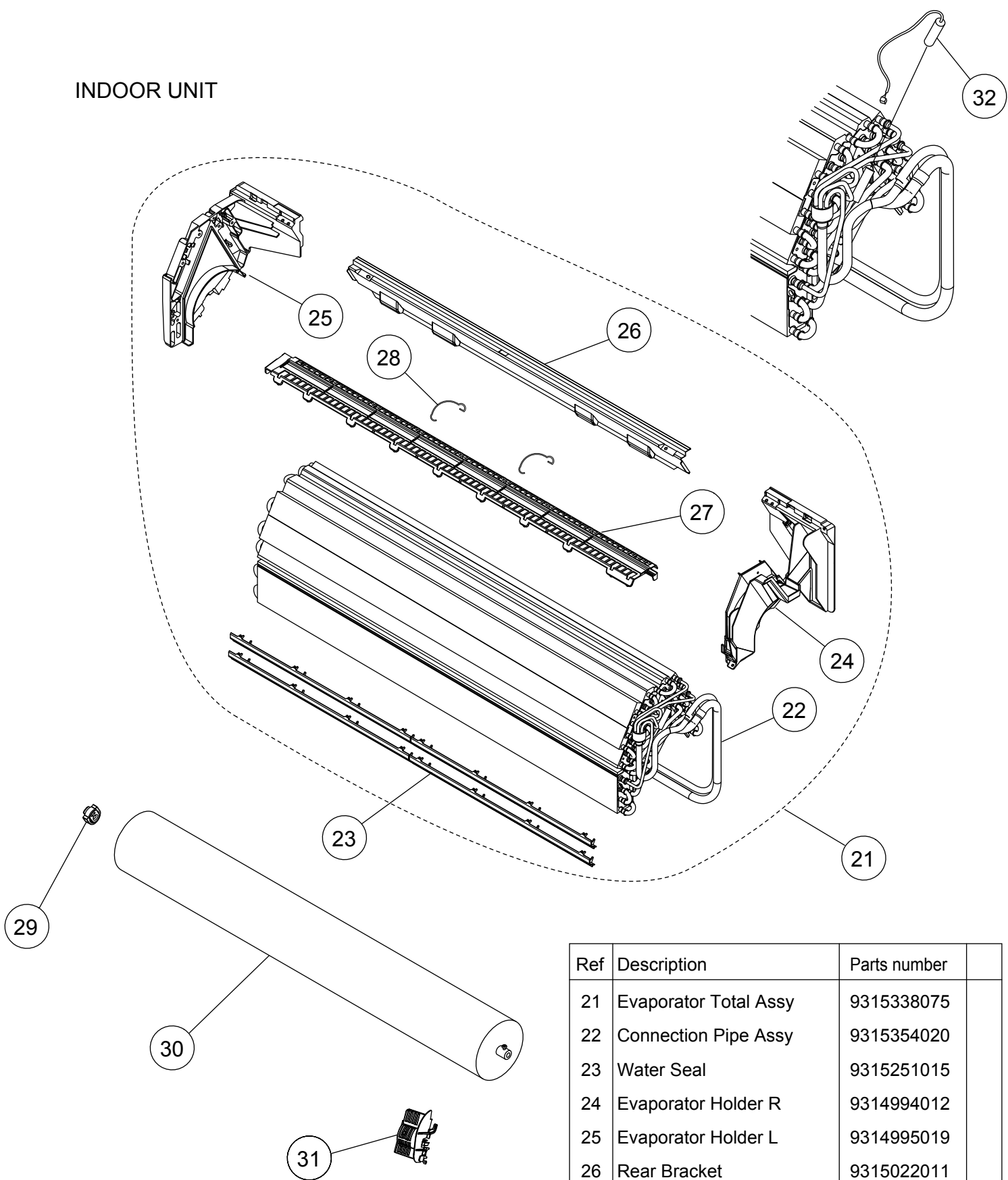
10



11

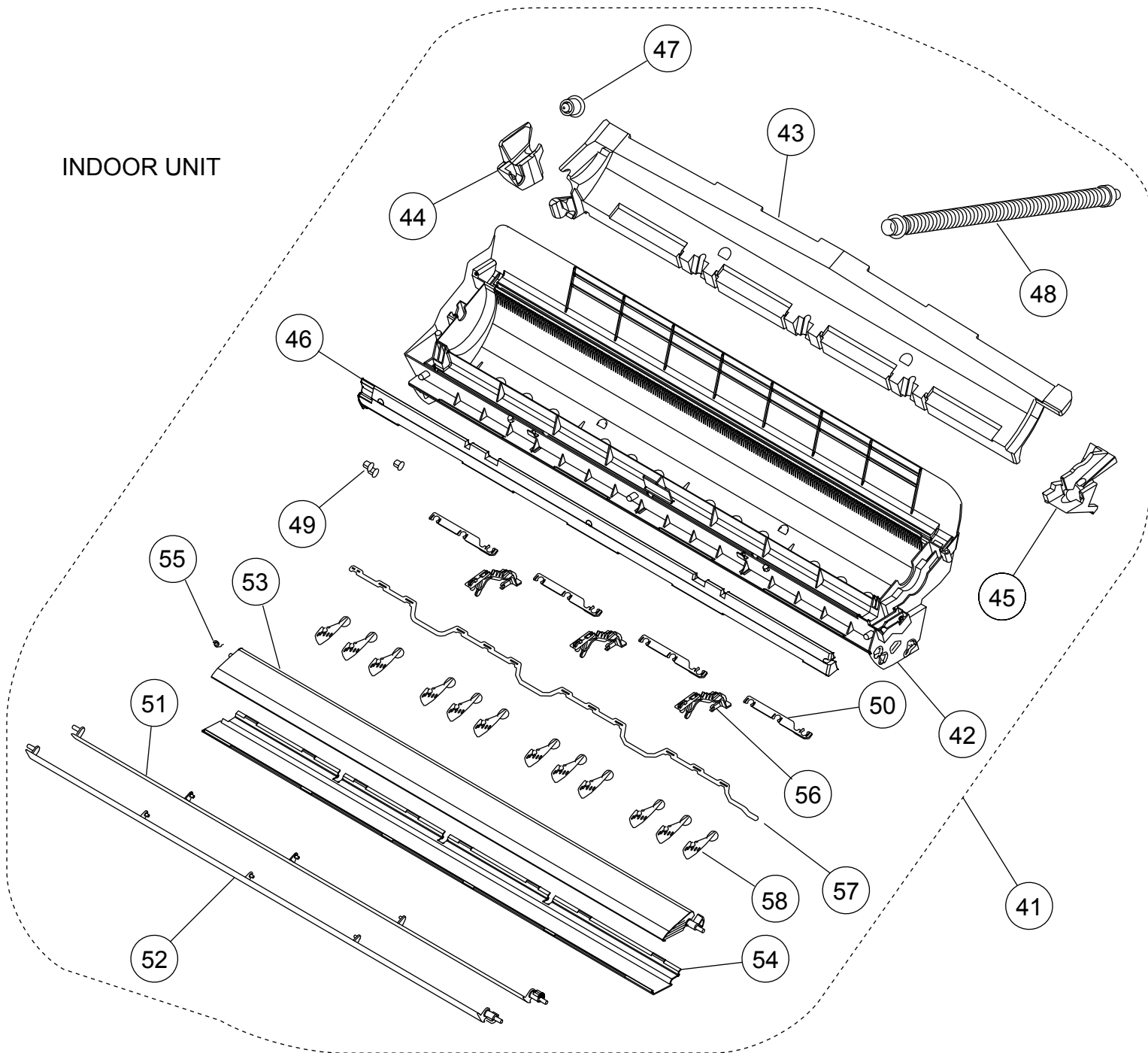
Ref	Description	Parts number
1	Front Panel Total Assy	9318738001
2	Front Panel	9314991080
3	Intake Grille Assy	9385985049
4	Air Filter	9315014016
5	Receiver Window	9315010018
6	Clamper Grille	9306755010
7	Wire Clamper	9315015013
8	Cap (Screw)	9309002050
9	Bracket Panel	9315023018
10	Remote Control	9379219037
11	Remote Control Holder	9305642045
--	Air Clean Filter Assy	9315212016

INDOOR UNIT



Ref	Description	Parts number
21	Evaporator Total Assy	9315338075
22	Connection Pipe Assy	9315354020
23	Water Seal	9315251015
24	Evaporator Holder R	9314994012
25	Evaporator Holder L	9314995019
26	Rear Bracket	9315022011
27	Filter Guide	9315013019
28	Filter Guard	9315411013
29	Bearing C Assy	9306628017
30	Crossflow Fan Assy	9315024015
31	Holder (Room Thermistor)	9315252012
32	Pipe Thermistor	9900551018

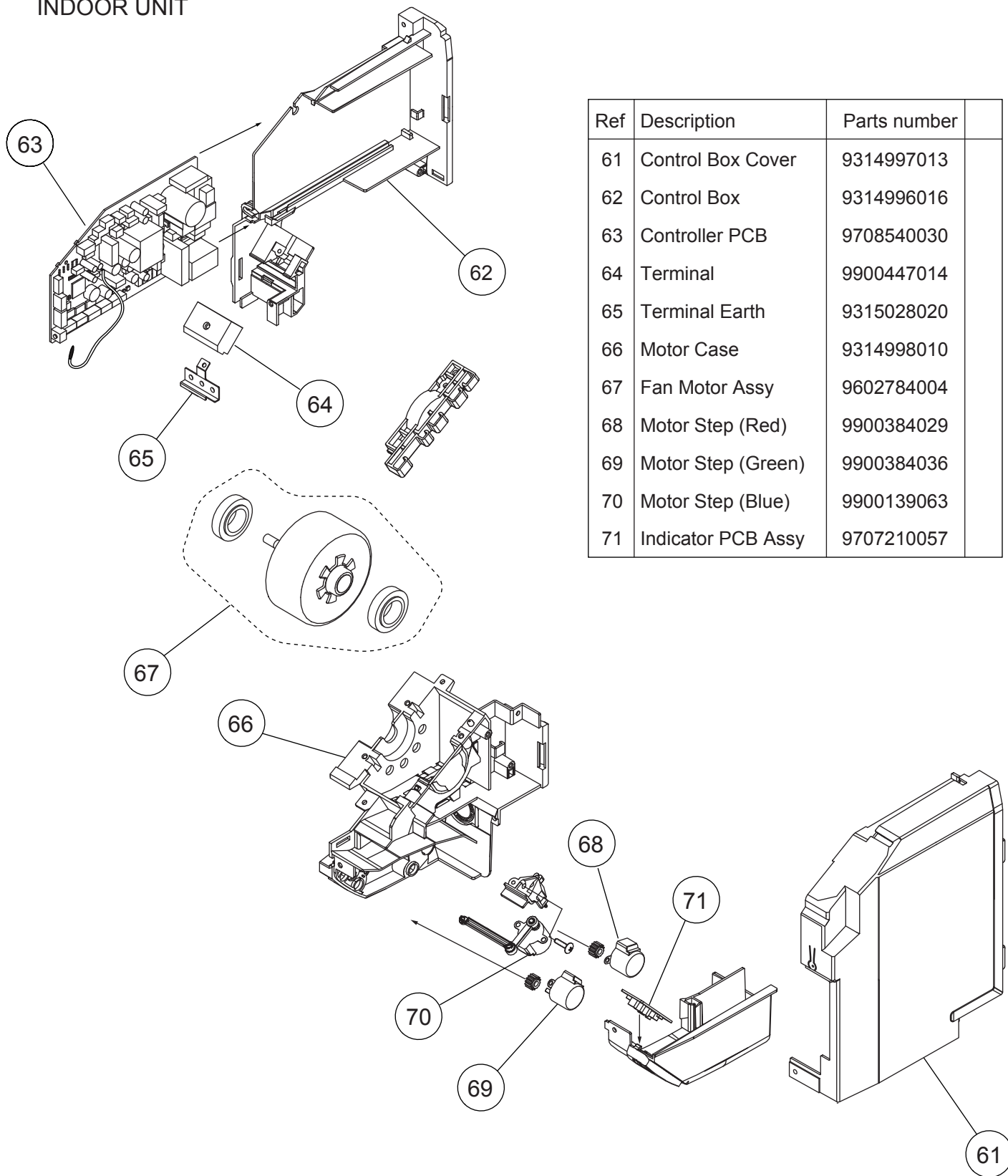
INDOOR UNIT



Ref	Description	Parts number
41	Casing Assy	9315331038
42	Casing	9314993015
43	Casing Cover B	9315016010
44	Casing Cover L	9315017017
45	Casing Cover R	9315018014
46	Casing Cover F	9315019011
47	Drain Cap	9367677009
48	Drain Hose Assy	9315769015
49	Bush B	9312156016
50	Spacer B	9312441013

Ref	Description	Parts number
51	Louver U	9315000019
52	Louver Z	9315001016
53	Diffuser U	9315002013
54	Diffuser Z	9315003010
55	Spring C	9314142017
56	Piller A	9315009012
57	Joint B	9315006011
58	R and L Louver	9311997016
-	Fan Guard	9305751051
-	Fan Guard Holder Right	9315814012
-	Fan Guard Holder Left	9315815019

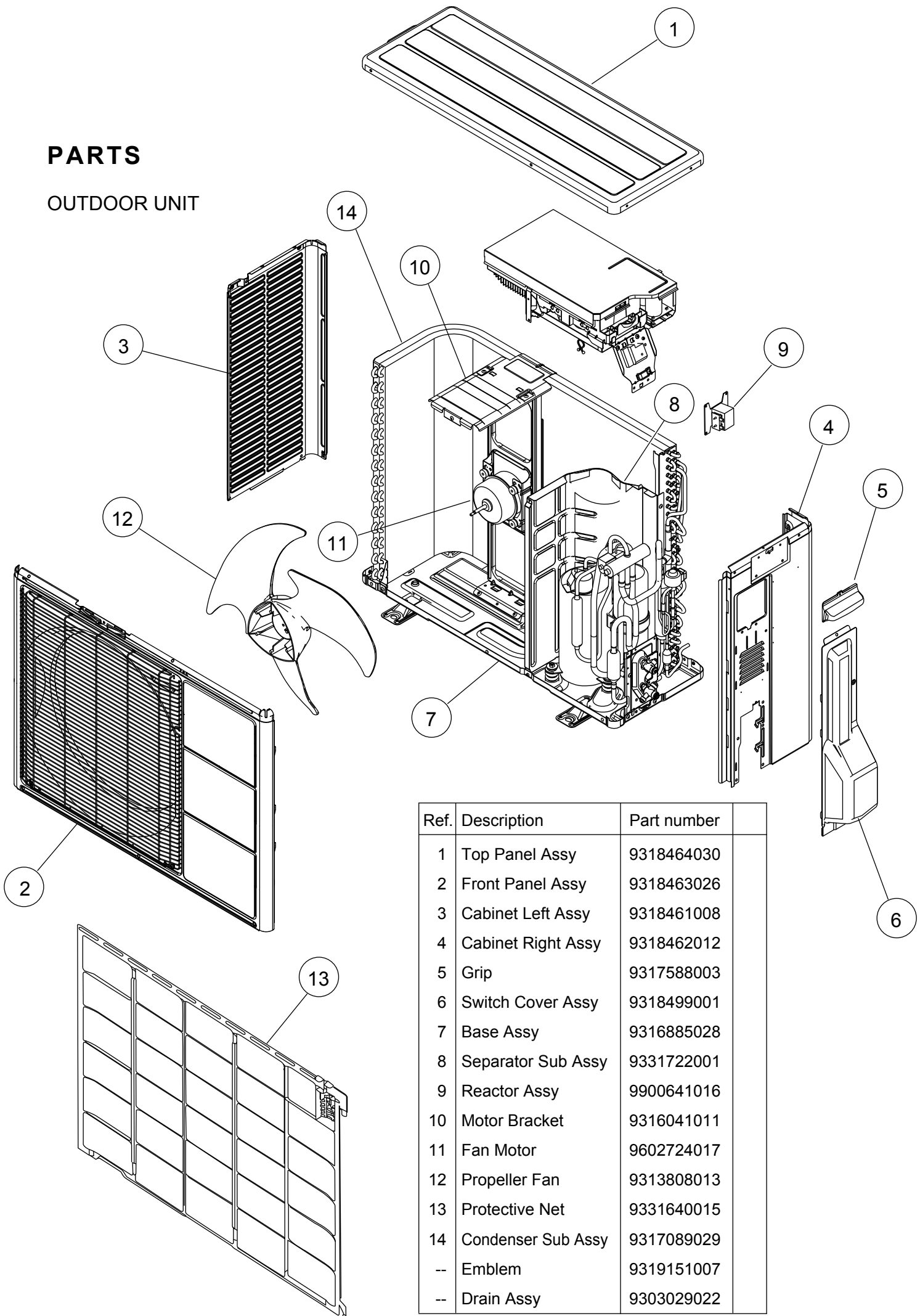
INDOOR UNIT



Ref	Description	Parts number
61	Control Box Cover	9314997013
62	Control Box	9314996016
63	Controller PCB	9708540030
64	Terminal	9900447014
65	Terminal Earth	9315028020
66	Motor Case	9314998010
67	Fan Motor Assy	9602784004
68	Motor Step (Red)	9900384029
69	Motor Step (Green)	9900384036
70	Motor Step (Blue)	9900139063
71	Indicator PCB Assy	9707210057

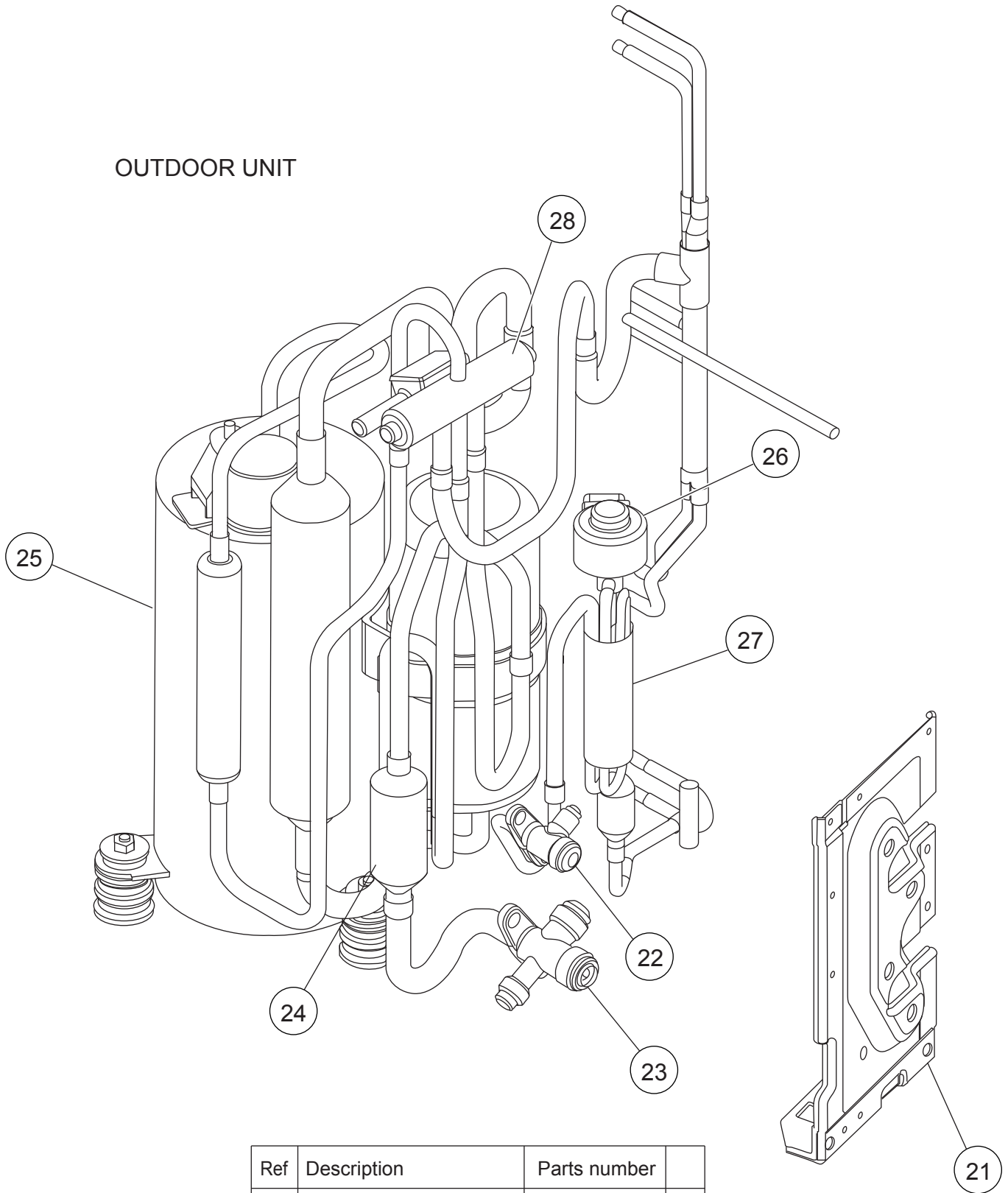
PARTS

OUTDOOR UNIT



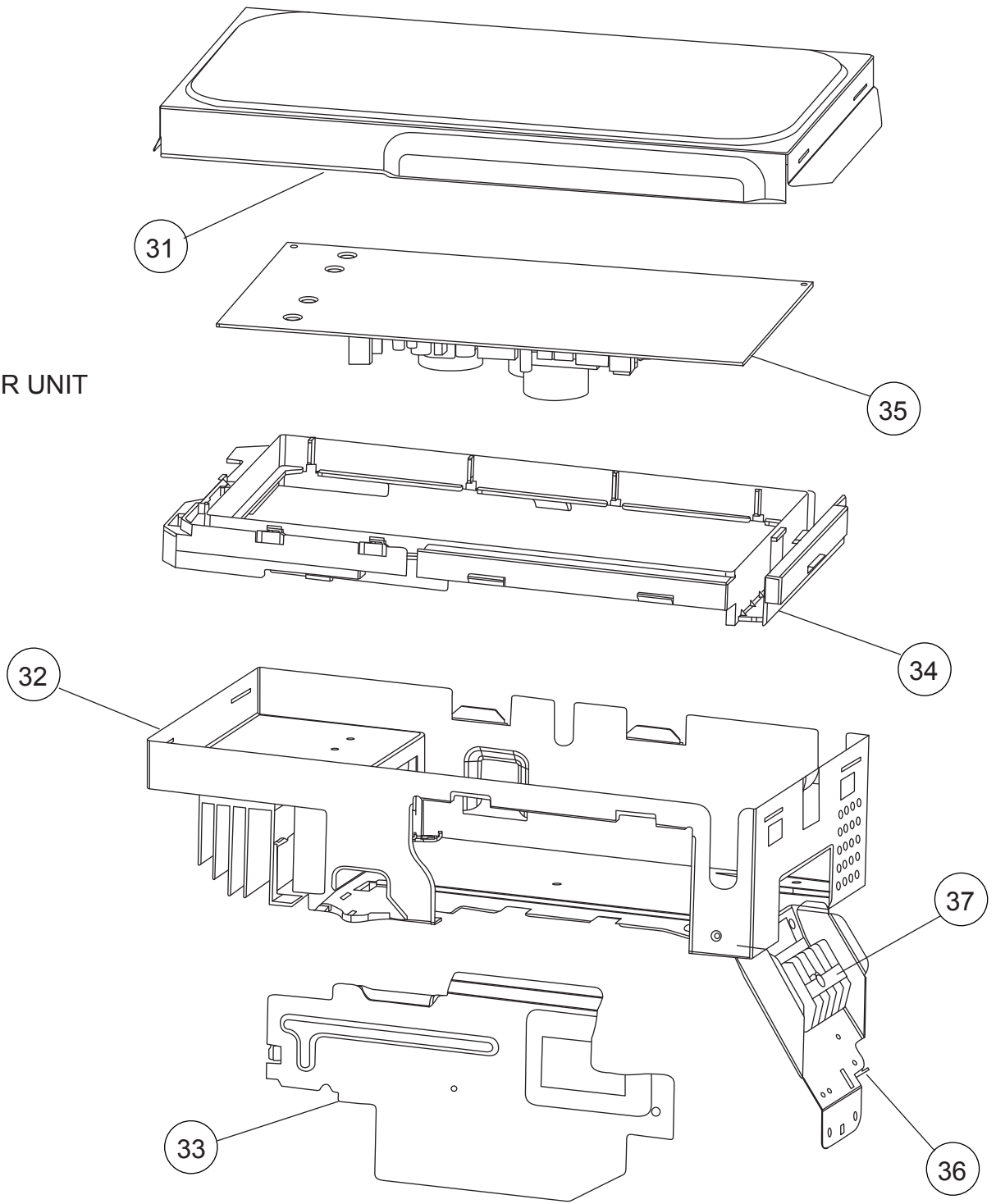
Ref.	Description	Part number
1	Top Panel Assy	9318464030
2	Front Panel Assy	9318463026
3	Cabinet Left Assy	9318461008
4	Cabinet Right Assy	9318462012
5	Grip	9317588003
6	Switch Cover Assy	9318499001
7	Base Assy	9316885028
8	Separator Sub Assy	9331722001
9	Reactor Assy	9900641016
10	Motor Bracket	9316041011
11	Fan Motor	9602724017
12	Propeller Fan	9313808013
13	Protective Net	9331640015
14	Condenser Sub Assy	9317089029
--	Emblem	9319151007
--	Drain Assy	9303029022

OUTDOOR UNIT



Ref	Description	Parts number
21	Bracket Valve	9331649001
22	2-way Valve Assy	9314554018
23	3-way Valve Assy	9316388017
24	Muffler	9316276017
25	Compressor Assy	9313279011
26	Expansion Valve Coil	9970095030
27	Pulse Motor Valve Assy	9314557019
28	4-way Valve Assy	9315311047
--	Solenoid	9970055010

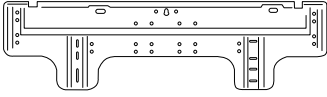
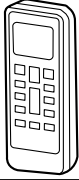
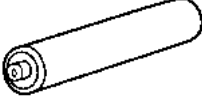
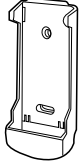
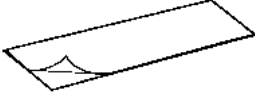



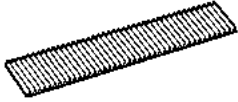
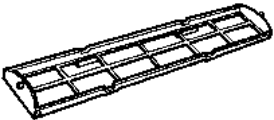
OUTDOOR UNIT

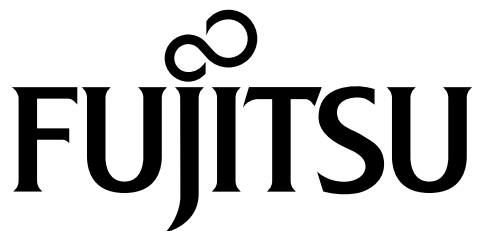


Ref	Description	Parts number
31	Sealed Panel	9309913011
32	Inverter Case Assy	9315690029
33	Inverter Case Cover	9314507038
34	PCB Holder	9313074029
35	PCB Assy	9708753089
36	Bracket Terminal	9315233080
37	Terminal	9900421038
--	Thermistor Assy	9900148041
--	Outdoor Thermistor	9900544010

ACCESSORIES

INDOOR UNIT

Name and Shape	Q'ty
Wall hook bracket 	1
Remote control 	1
Battery 	2
Remote control holder 	1
Drain hose insulation 	1
Cloth tape 	1
Tapping screw (big) 	8
Tapping screw (small) 	2
Air cleaning filter 	2
Air cleaning filter frame 	2



SPLIT TYPE
ROOM AIR CONDITIONER
WALL MOUNTED TYPE

SERVICE MANUAL

Indoor unit Outdoor unit
ASYG24LFCC AOYG24LFCC



CONTENTS

SPECIFICATIONS.....	1
DIMENSIONS.....	2
REFRIGERANT SYSTEM DIAGRAM.....	3
CIRCUIT DIAGRAM.....	4
INDOOR PCB CIRCUIT DIAGRAM.....	5
OUTDOOR PCB CIRCUIT DIAGRAM.....	8
ERROR DETECTION.....	10
PARTS (INDOOR UNIT).....	11
PARTS (OUTDOOR UNIT).....	15
ACCESSORIES.....	18

SPECIFICATIONS

ELECTRICAL DATA

TYPE		Cool & heat inverter
INDOOR UNIT		ASYG24LFCC
OUTDOOR UNIT		AOYG24LFCC
COOLING CAPACITY		7.10 kW
HEATING CAPACITY		8.00 kW
POWER SOURCE		230 V
FREQUENCY		50 Hz
RUNNING CURRENT	COOLING	9.7 A
	HEATING	9.7 A
INPUT WATTS	COOLING	2.20 kW
	HEATING	2.21 kW
E.E.R.	COOLING	3.23 kW/kW
COP	HEATING	3.61 kW/kW
MOISTURE REMOVAL		2.7 L/hr
AIR CIRCULATION HIGH		1,120 m ³ /hr
MAXIMUM CURRENT	COOLING	13.5 A
	HEATING	18.5 A

FAN MOTOR

POWER SOURCE		230 V
INDOOR UNIT (Cool)	High	1,480 r.p.m.
	Medium	1,220 r.p.m.
	Low	1,020 r.p.m.
	Quiet	860 r.p.m.
INDOOR UNIT (Heat)	High	1,480 r.p.m.
	Medium	1,220 r.p.m.
	Low	1,020 r.p.m.
	Quiet	860 r.p.m.
OUTDOOR UNIT (Cool)		1,100 r.p.m.
OUTDOOR UNIT (Heat)		1,050 r.p.m.

NOISE LEVEL

INDOOR UNIT (Cool)	High	49 dB
	Medium	42 dB
	Low	37 dB
	Quiet	32 dB
INDOOR UNIT (Heat)	High	48 dB
	Medium	42 dB
	Low	37 dB
	Quiet	32 dB
OUTDOOR UNIT (Cool)		55 dB
OUTDOOR UNIT (Heat)		56 dB

COMPRESSOR AND REFRIGERANT

TYPE		Hermetic type, 6 pole, Rotary
DISCRIMINATION		N-SF17ND1A
WEIGHT WITH OIL		10.6 kg
PRECHARGED REFRIGERANT		1,800 g
REFRIGERANT TYPE		R410A
FULL CHARGE	Pipe length 15 m	1,800 g
	30 m	2,100 g
ADDITIONAL CHARGE		20 g/m
MAXIMUM HEIGHT DIFFERENCE		20 m

DIMENSIONS

INDOOR UNIT	H x W x D	320 x 998 x 238 mm
OUTDOOR UNIT	H x W x D	620 x 790 x 290 mm

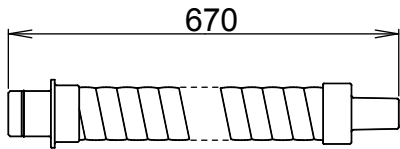
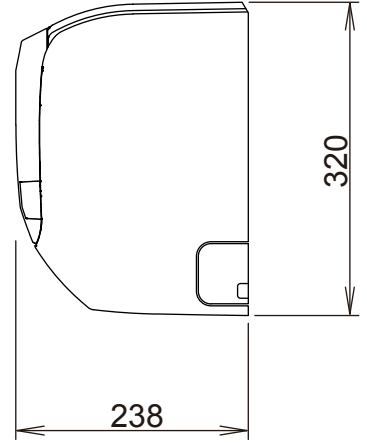
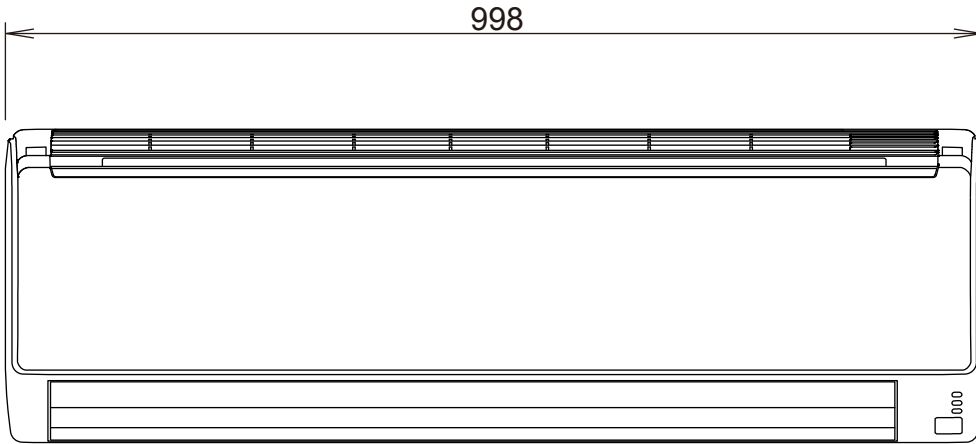
WEIGHT

INDOOR UNIT	Shipping / Net	18 kg / 14 kg
OUTDOOR UNIT	Shipping / Net	45 kg / 41 kg

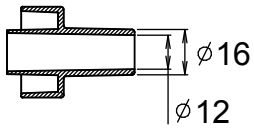
DIMENSIONS

Unit : mm

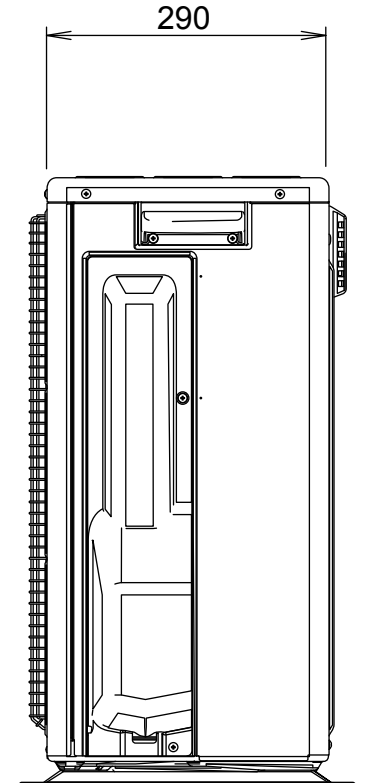
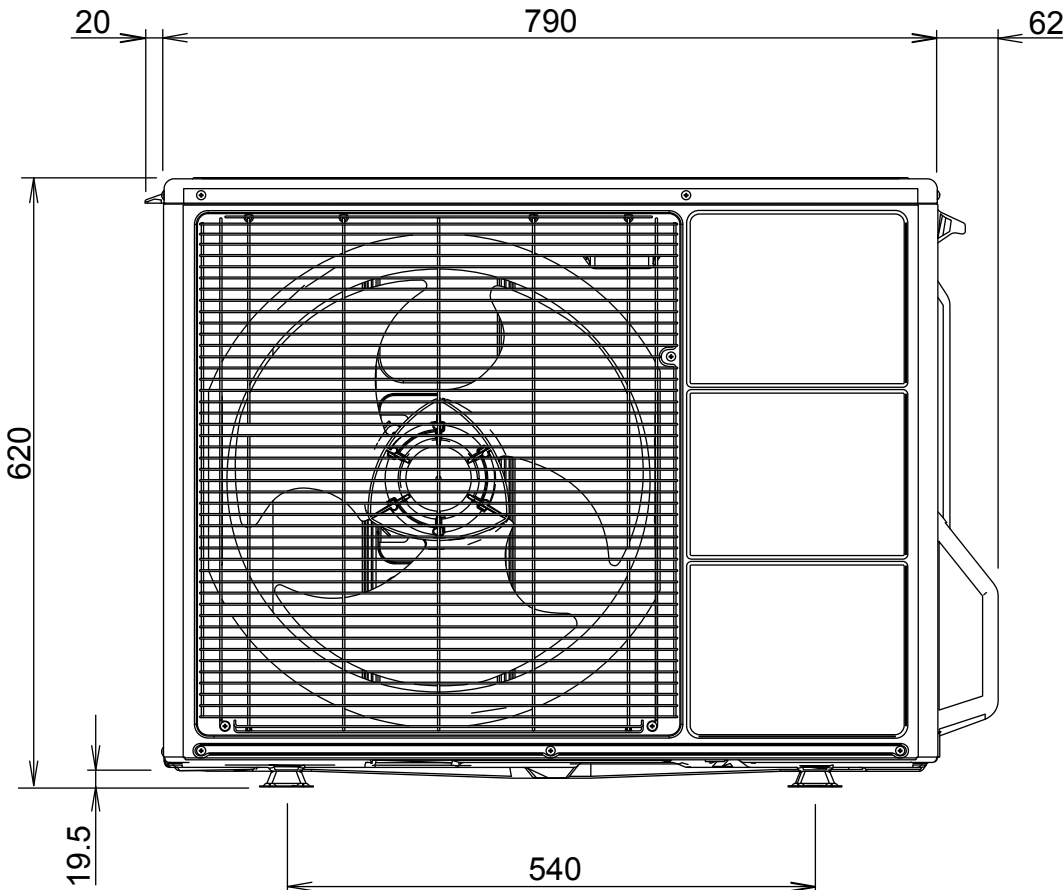
INDOOR UNIT



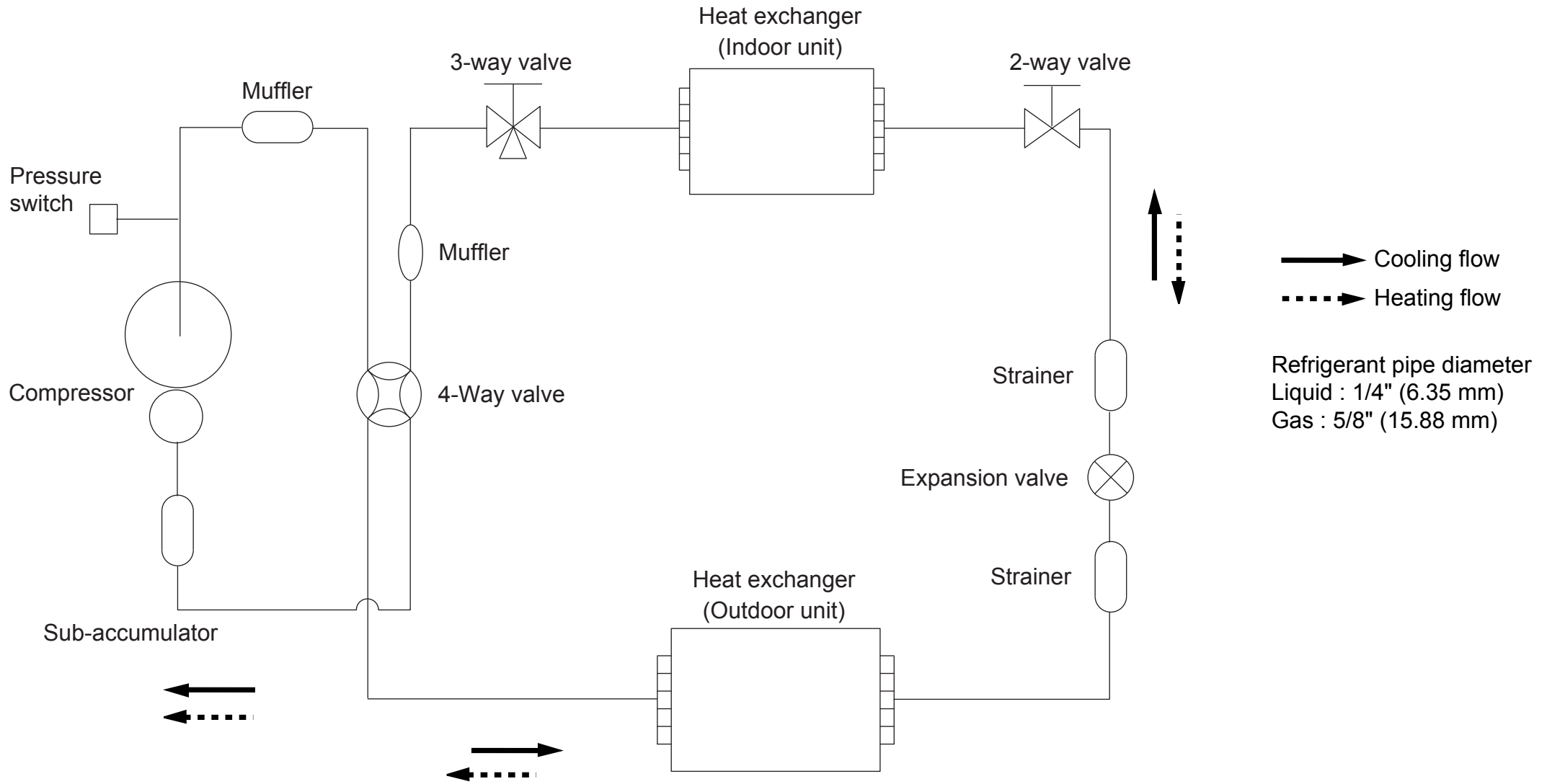
Drain hose length : 670 mm
Drain hose diameter
Inside : 12 mm
Outside : 16 mm



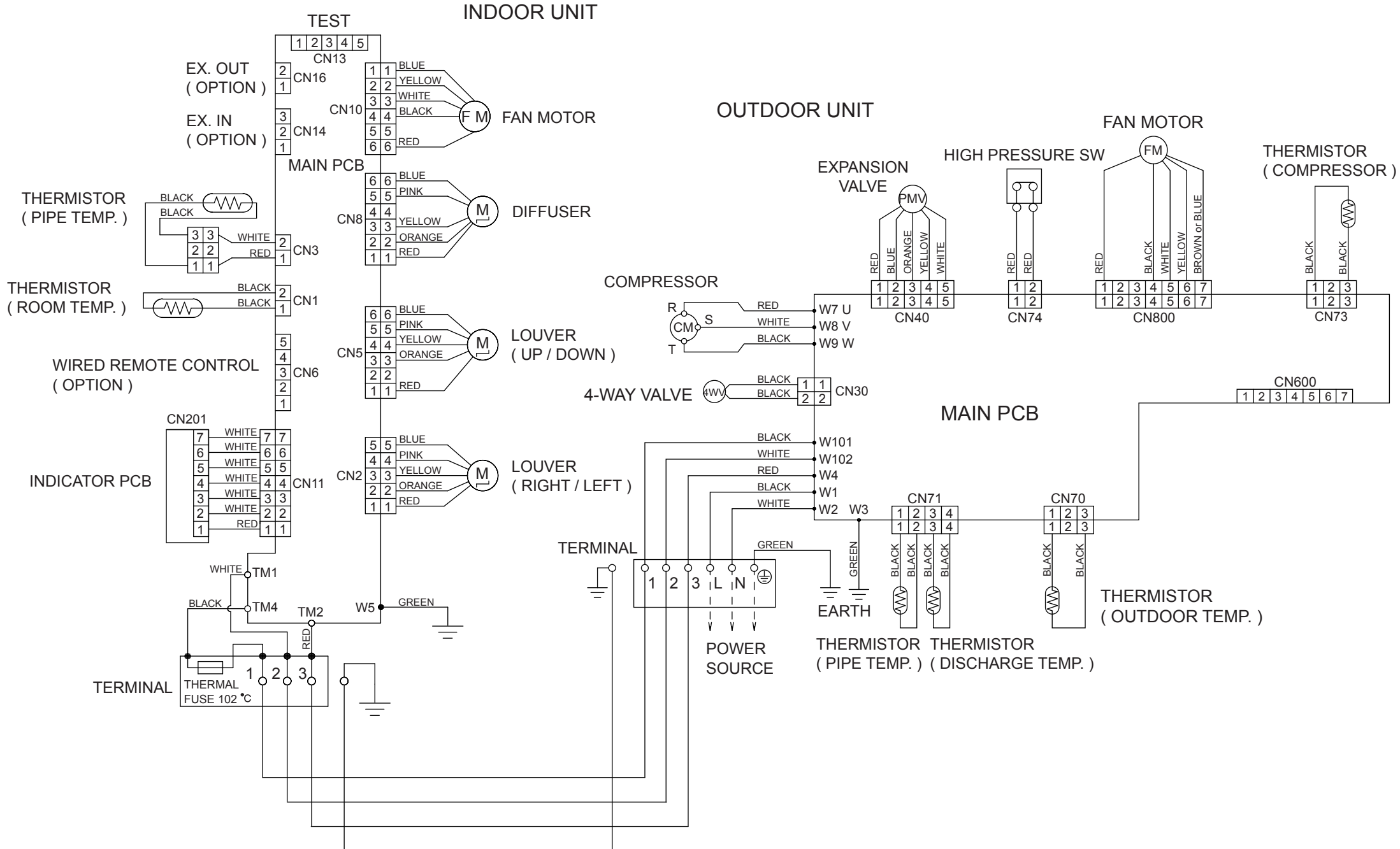
OUTDOOR UNIT



REFRIGERANT SYSTEM DIAGRAM

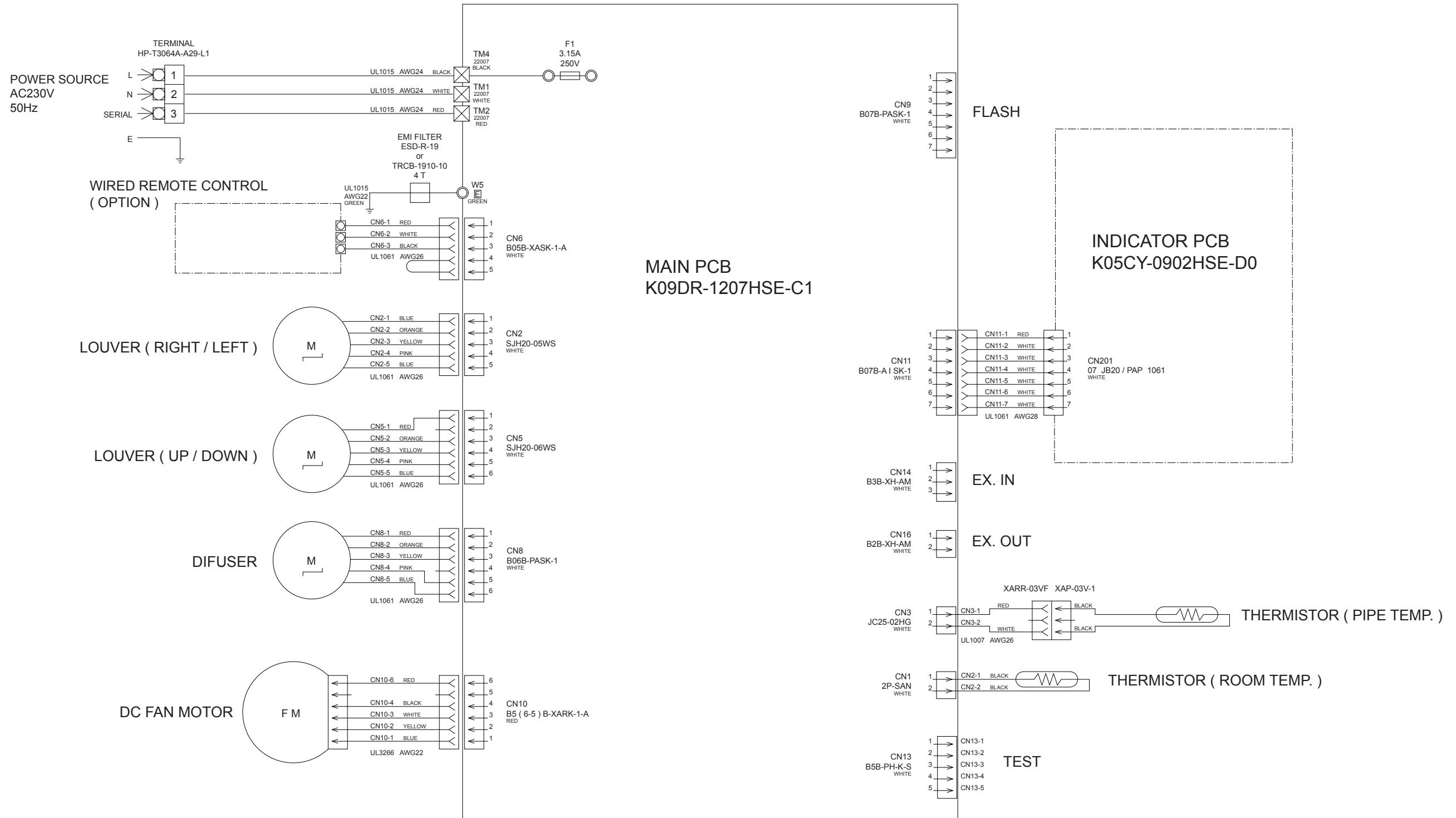


CIRCUIT DIAGRAM

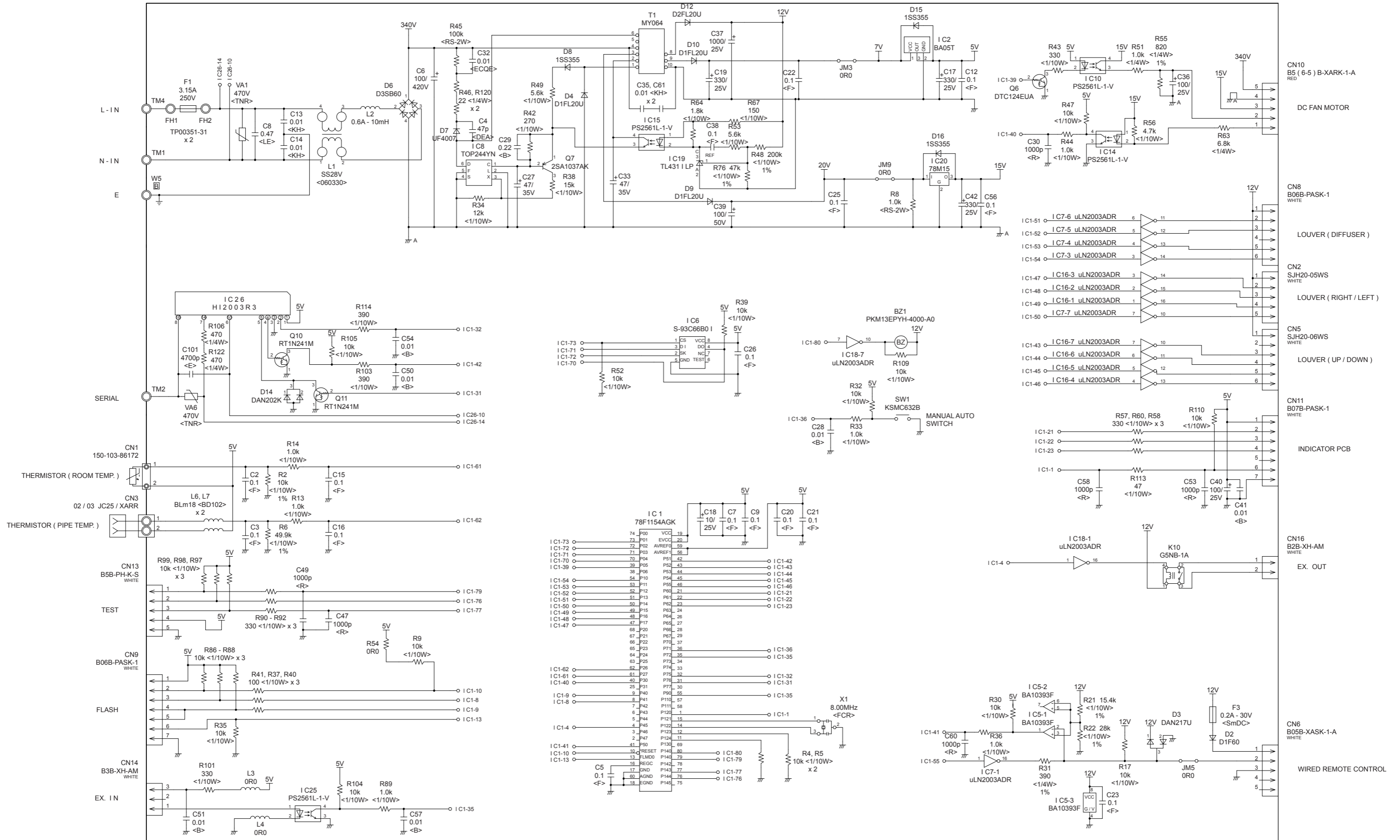


INDOOR PCB CIRCUIT DIAGRAM

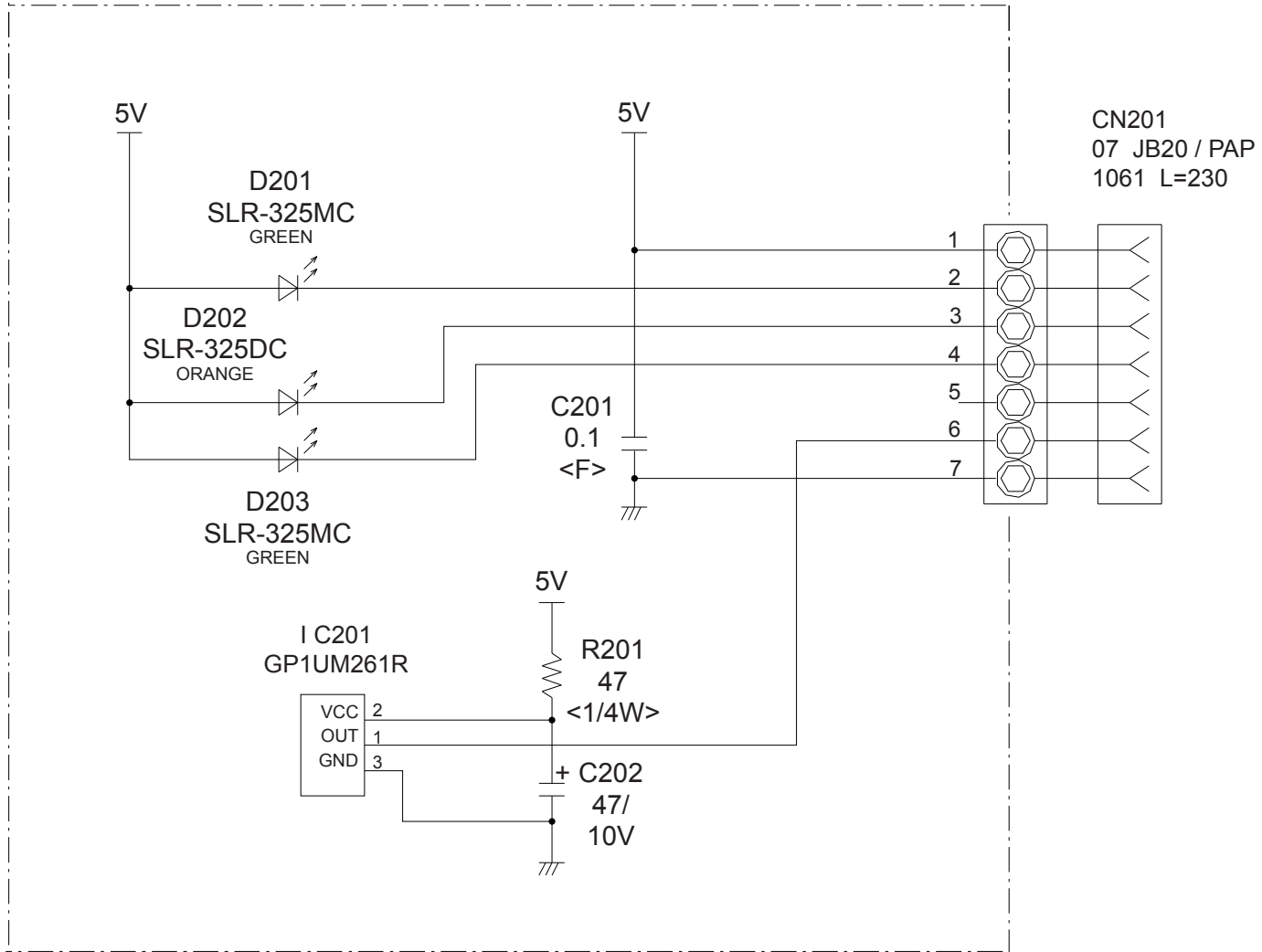
CONTROL UNIT
EZ-01211HSE



INDOOR UNIT
MAIN PCB
K09DR-1207HSE-C1

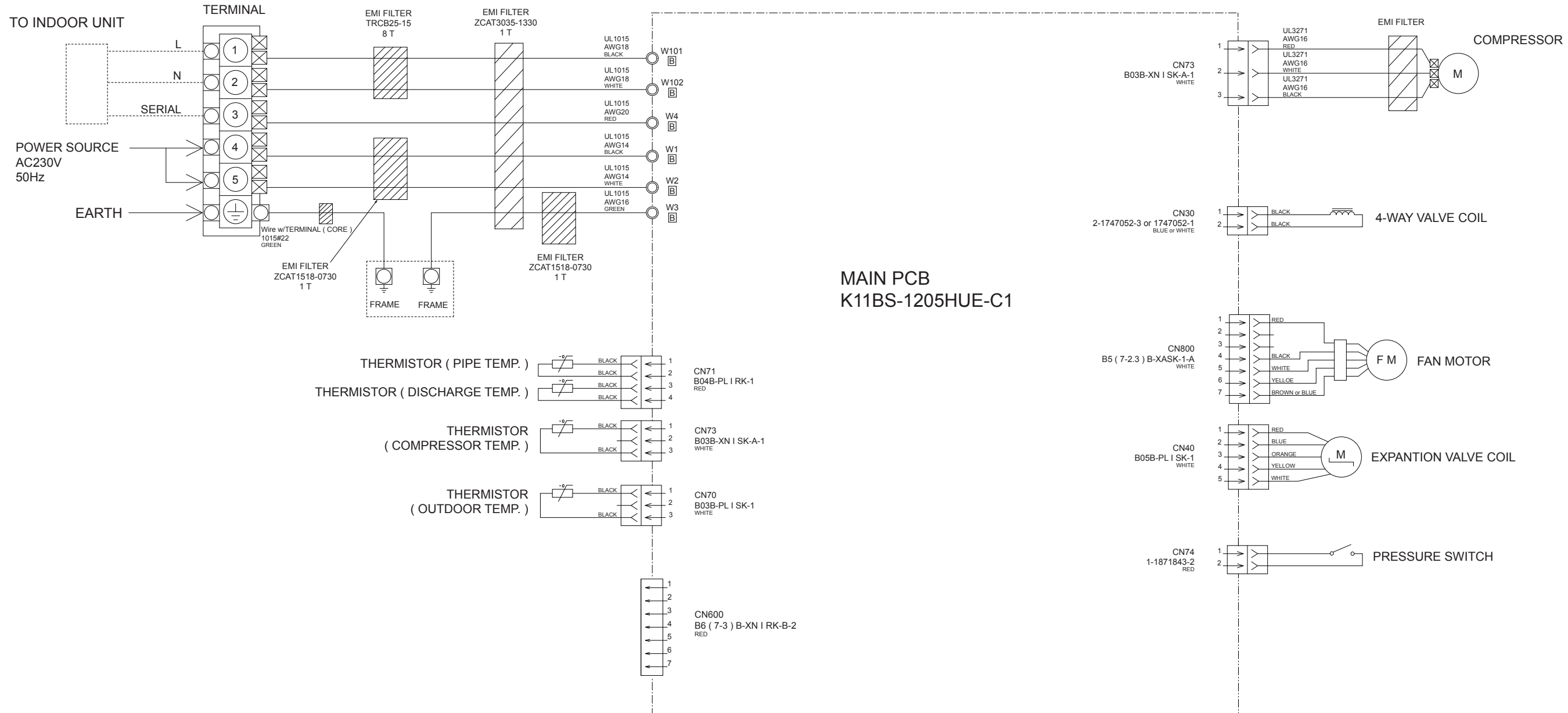


INDOOR UNIT
 INDICATOR PCB
 K05CY-0902HSE-D0

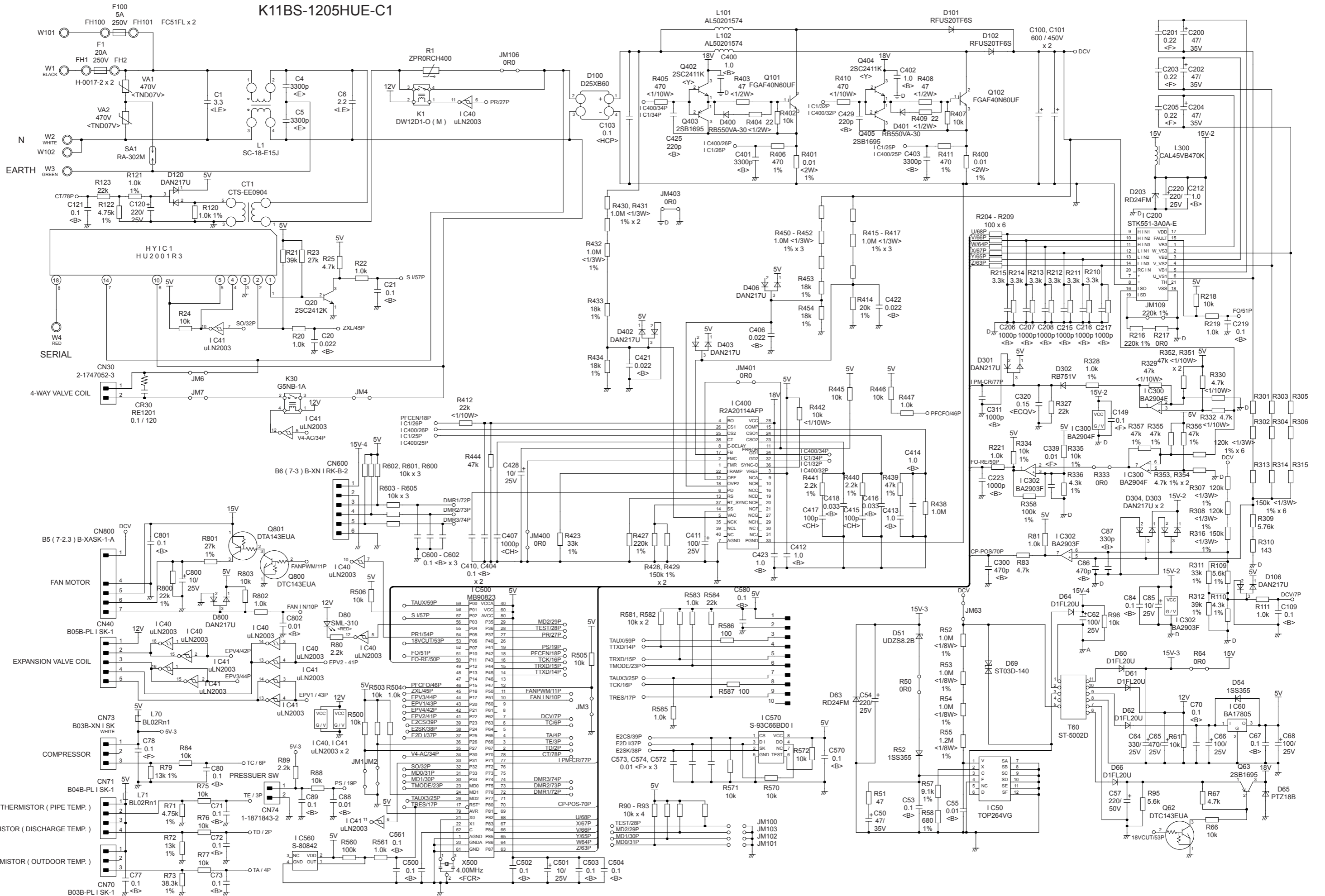


OUTDOOR PCB CIRCUIT DIAGRAM

INVERTER ASSEMBLY EZ-012YHUE



OUTDOOR UNIT
MAIN PCB
K11BS-1205HUE-C1



ERROR DETECTION

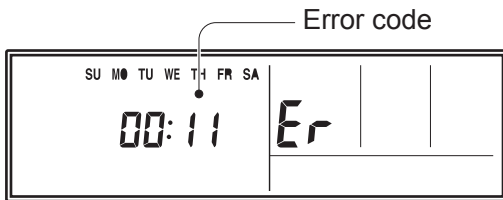
INDOOR UNIT and WIRED REMOTE CONTROL

If you use a wireless remote control, the lamp on the photo detector unit will output error codes by way of blinking patterns.

If you use a wired remote control, error codes will appear on the remote control display. See the lamp blinking patterns and error codes in the table. An error display is displayed only during operation.

Troubleshooting with the wired remote control.

If an error occurs, the following display will be shown. ("Er" will appear in the set room temperature display.)



EX. Self-diagnosis

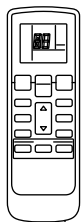
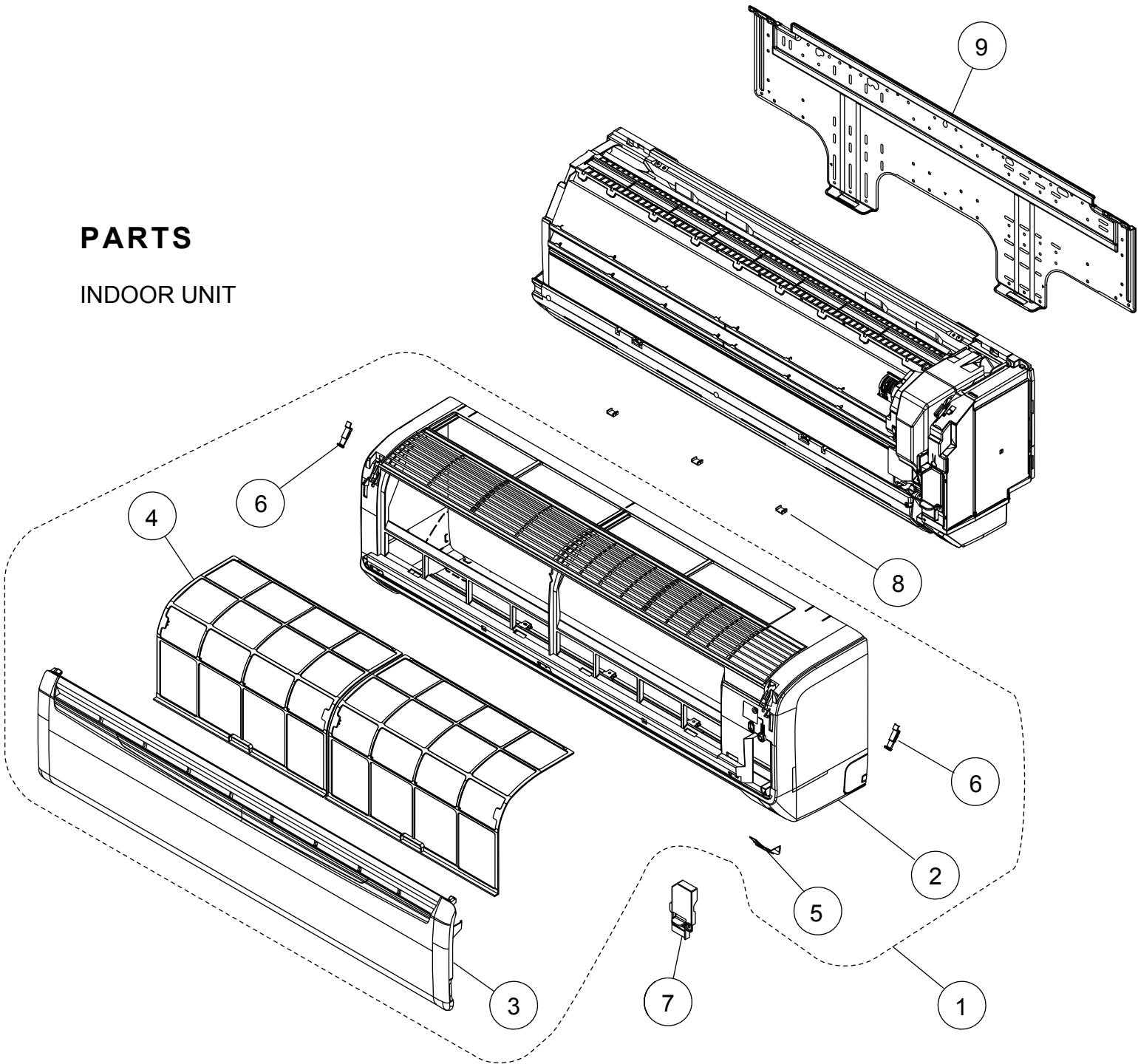
- : 0.5s on / 0.5s off
- ◇ : 0.1s on / 0.1s off
- () : Number of flashing

Indoor unit lamps			Wired remote control	Description
OPERATION (green)	TIMER (orange)	ECONOMY (green)		
●(1)	●(1)	◇	11	Serial communication error
●(1)	●(2)	◇	12	Wired remote control communication error
●(1)	●(5)	◇	15	Check run unfinished
●(2)	●(1)	◇	21	Unit number or Refrigerant circuit address setting error [Simultaneous Multi]
●(2)	●(2)	◇	22	Indoor unit capacity error
●(2)	●(3)	◇	23	Combination error
●(2)	●(4)	◇	24	• Connection unit number error (indoor slave unit) [Simultaneous Multi] • Connection unit number error (indoor unit or branch unit) [Flexible Multi]
●(2)	●(7)	◇	27	Primary unit, secondary unit set-up error [Simultaneous Multi]
●(3)	●(2)	◇	32	Indoor unit PCB model information error
●(3)	●(5)	◇	35	Manual auto switch error
●(4)	●(1)	◇	41	Inlet air temp. sensor error
●(4)	●(2)	◇	42	Indoor unit Heat Ex. Middle temp. sensor error
●(5)	●(1)	◇	51	Indoor unit fan motor error
●(5)	●(3)	◇	53	Drain pump error
●(5)	●(7)	◇	57	Damper error
●(5)	●(15)	◇	5U	Indoor unit error
●(6)	●(2)	◇	62	Outdoor unit main PCB model information error or communication error
●(6)	●(3)	◇	63	Inverter error
●(6)	●(4)	◇	64	Active filter error, PFC circuit error
●(6)	●(5)	◇	65	Trip terminal L error

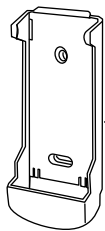
Indoor unit lamps			Wired remote control	Description
OPERATION (green)	TIMER (orange)	ECONOMY (green)		
●(6)	●(10)	◇	6A	Display PCB microcomputers communication error
●(7)	●(1)	◇	71	Discharge temp. sensor error
●(7)	●(2)	◇	72	Compressor temp. sensor error
●(7)	●(3)	◇	73	Outdoor unit Heat Ex. liquid temp. sensor error
●(7)	●(4)	◇	74	Outdoor temp. sensor error
●(7)	●(5)	◇	75	Suction Gas temp. sensor error
●(7)	●(6)	◇	76	• 2-way valve temp. sensor error • 3-way valve temp. sensor error
●(7)	●(7)	◇	77	Heat sink temp. sensor error
●(8)	●(2)	◇	82	• Sub-cool Heat Ex. gas inlet temp. sensor error • Sub-cool Heat Ex. gas outlet temp. sensor error
●(8)	●(3)	◇	83	Liquid pipe temp. sensor error
●(8)	●(4)	◇	84	Current sensor error
●(8)	●(6)	◇	86	• Discharge pressure sensor error • Suction pressure sensor error • High pressure switch error
●(9)	●(4)	◇	94	Trip detection
●(9)	●(5)	◇	95	Compressor rotor position detection error (permanent stop)
●(9)	●(7)	◇	97	Outdoor unit fan motor error
●(9)	●(9)	◇	99	4-way valve error
●(10)	●(1)	◇	A1	Discharge temp. error
●(10)	●(3)	◇	A3	Compressor temp. error
●(10)	●(4)	◇	A4	High pressure error
●(10)	●(5)	◇	A5	Low pressure error
●(13)	●(2)	◇	J2	Branch boxes error [Flexible Multi]

PARTS

INDOOR UNIT



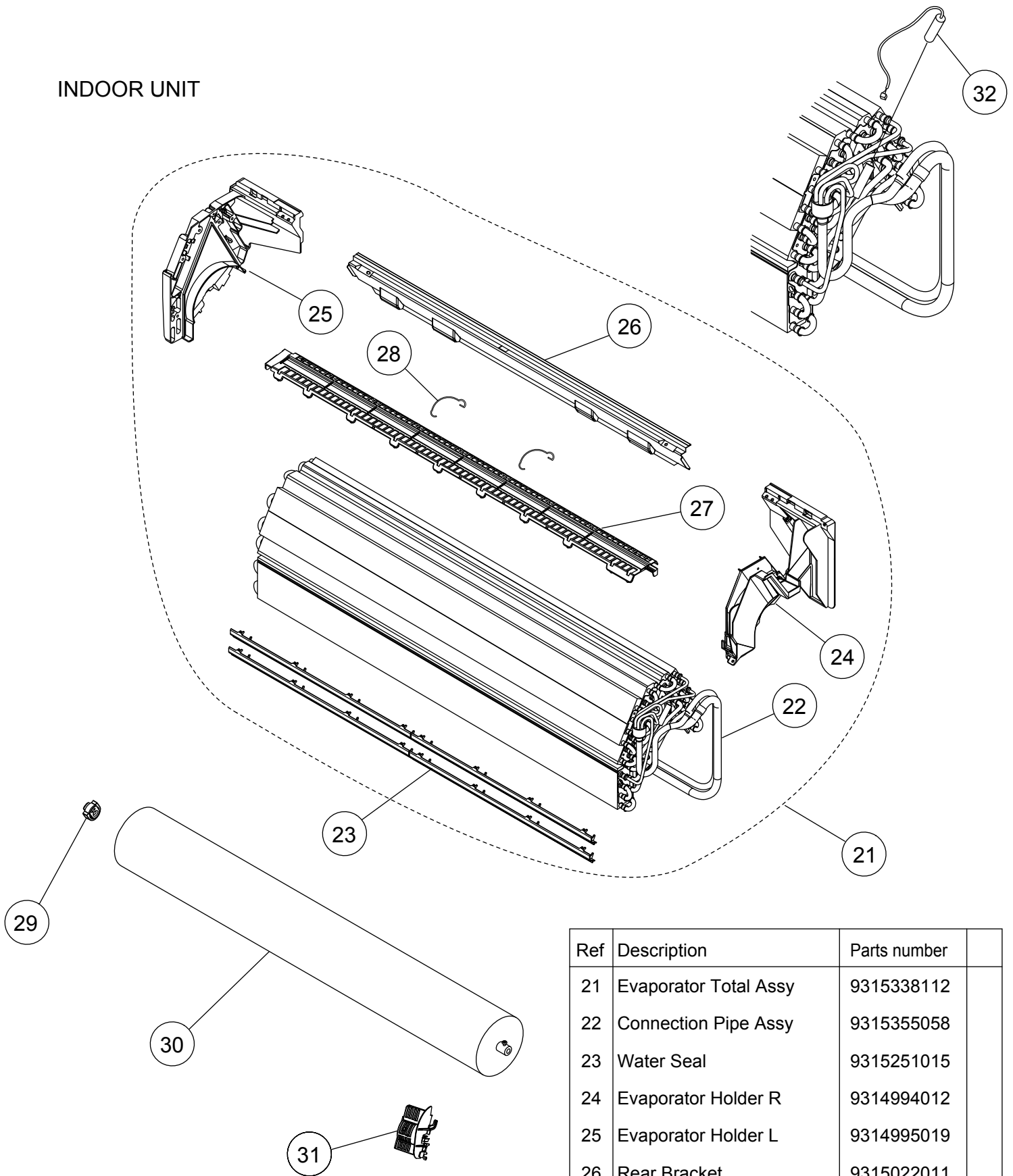
10



11

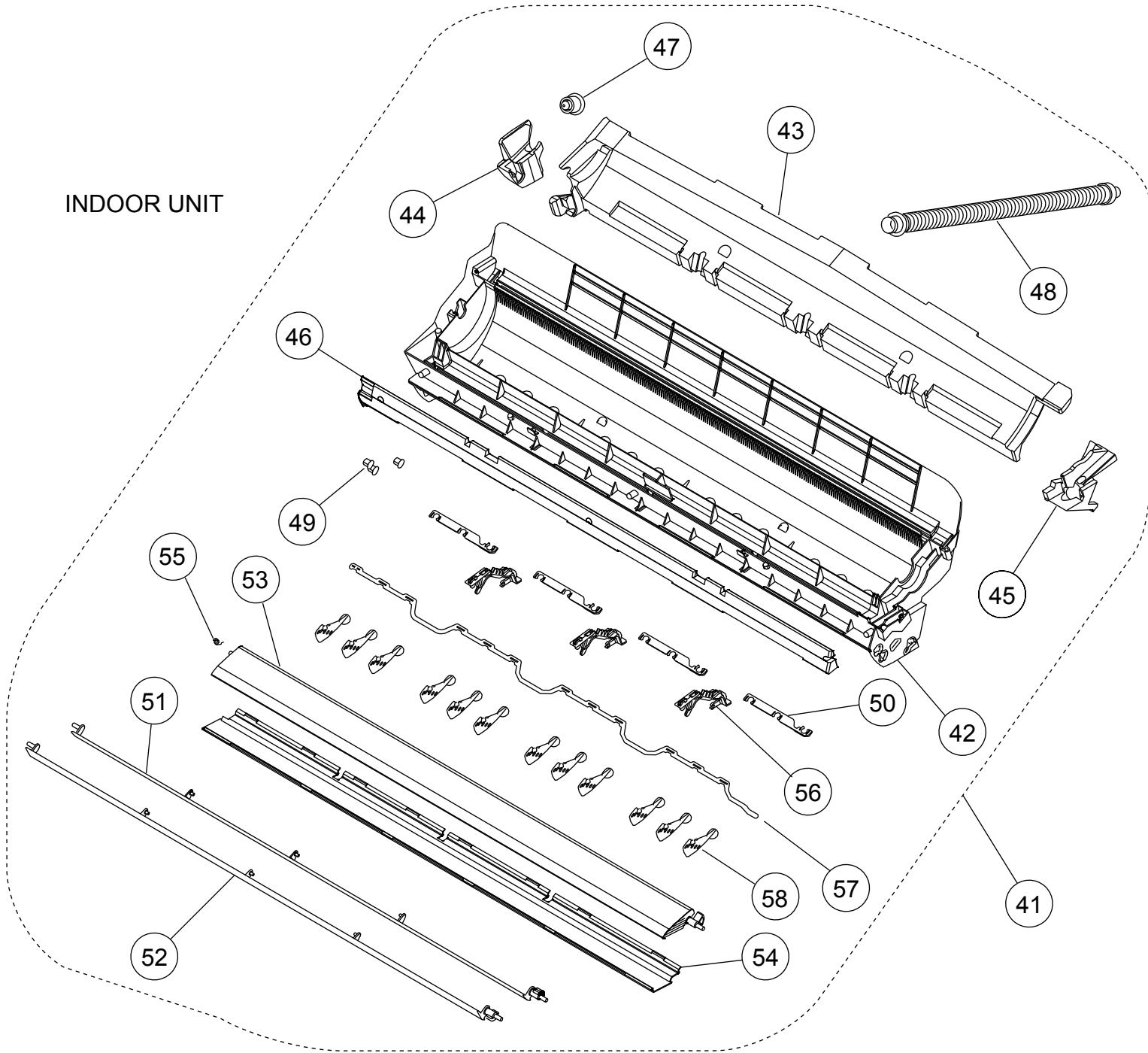
Ref	Description	Parts number
1	Front Panel Total Assy	9318738001
2	Front Panel	9314991080
3	Intake Grille Assy	9385985049
4	Air Filter	9315014016
5	Receiver Window	9315010018
6	Clamber Grille	9306755010
7	Wire Clamber	9315015013
8	Cap (Screw)	9309002074
9	Bracket Panel	9315023018
10	Remote Control	9379219037
11	Remote Control Holder	9305642045
--	Air Clean Filter Assy	9315212016

INDOOR UNIT



Ref	Description	Parts number
21	Evaporator Total Assy	9315338112
22	Connection Pipe Assy	9315355058
23	Water Seal	9315251015
24	Evaporator Holder R	9314994012
25	Evaporator Holder L	9314995019
26	Rear Bracket	9315022011
27	Filter Guide	9315013019
28	Filter Guard	9315411013
29	Bearing C Assy	9306628017
30	Crossflow Fan Assy	9315024015
31	Holder (Room Thermistor)	9315252012
32	Pipe Thermistor	9900551018

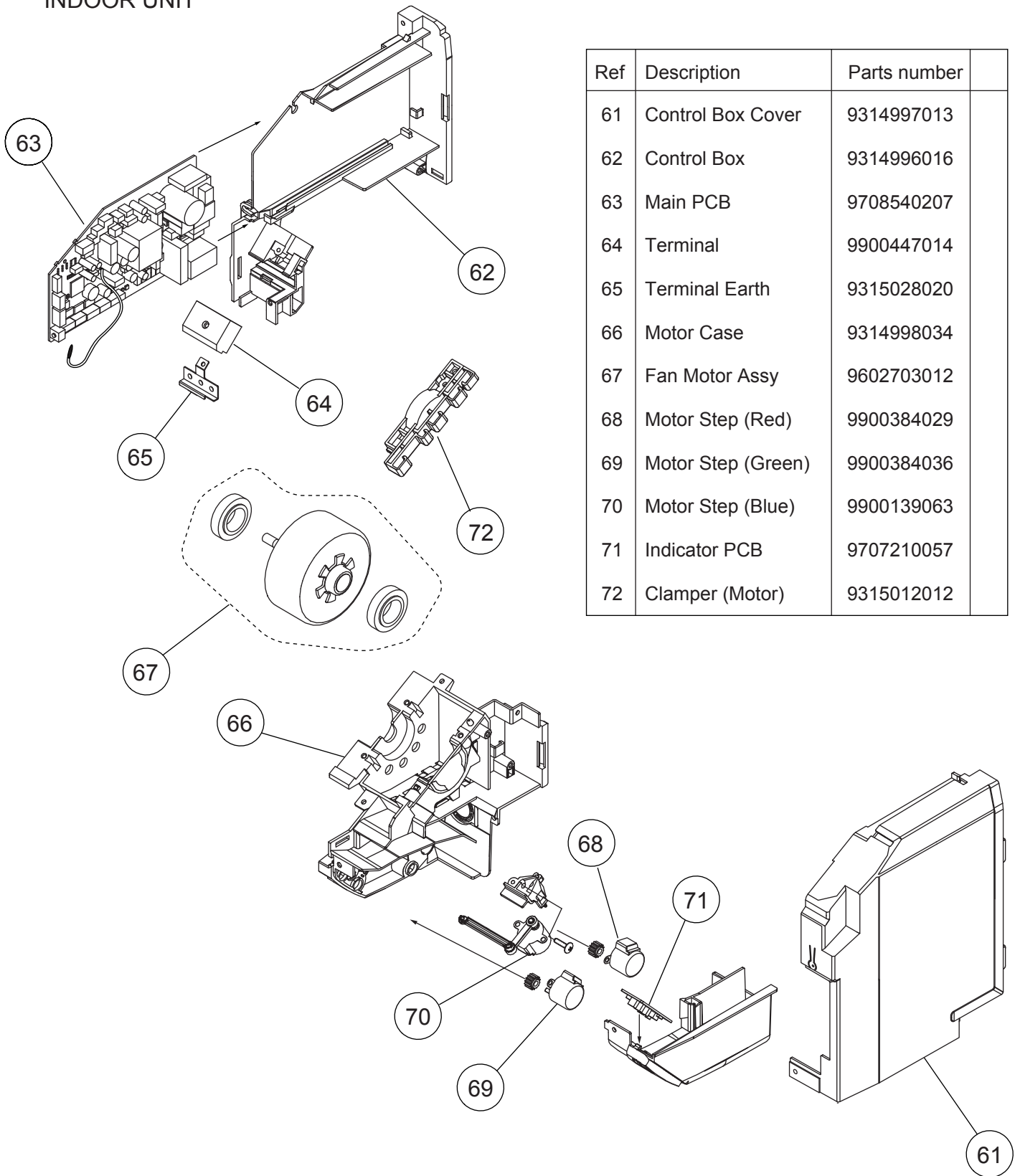
INDOOR UNIT



Ref	Description	Parts number
41	Casing Assy	9315331045
42	Casing	9314993015
43	Casing Cover B	9315016010
44	Casing Cover L	9315017017
45	Casing Cover R	9315018014
46	Casing Cover F	9315019011
47	Drain Cap	9367677009
48	Drain Hose Assy	9315769015
49	Bush B	9312156016
50	Spacer D	9315282019

Ref	Description	Parts number
51	Louver U	9315000026
52	Louver Z	9315001023
53	Diffuser U	9315002020
54	Diffuser Z	9315003027
55	Spring C	9314142017
56	Pillar A	9315009012
57	Joint B	9315006011
58	R and L Louver	9311997016
-	Fan Guard	9305751051
-	Fan Guard Holder Right	9315814012
-	Fan Guard Holder Left	9315815019

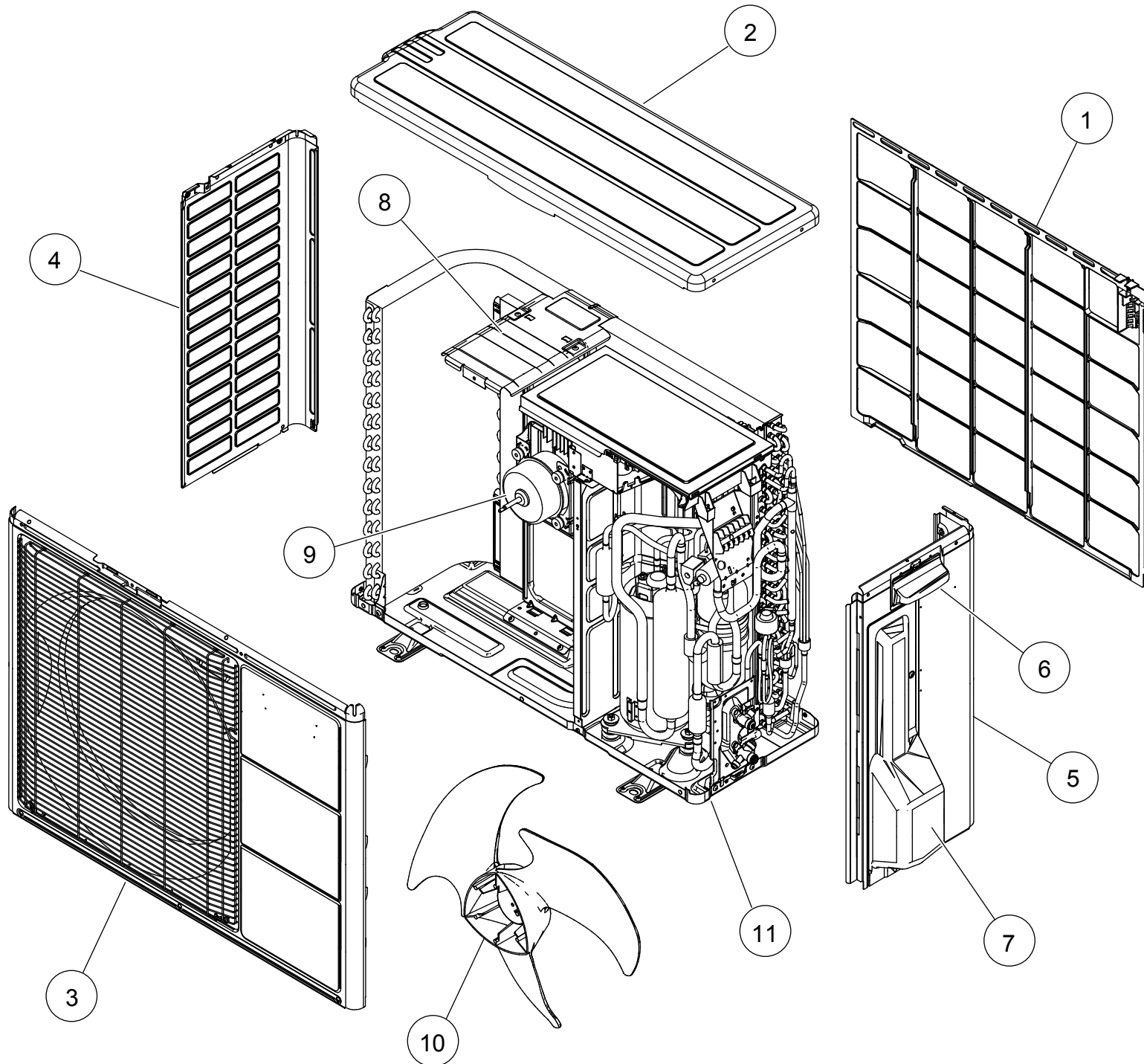
INDOOR UNIT



Ref	Description	Parts number
61	Control Box Cover	9314997013
62	Control Box	9314996016
63	Main PCB	9708540207
64	Terminal	9900447014
65	Terminal Earth	9315028020
66	Motor Case	9314998034
67	Fan Motor Assy	9602703012
68	Motor Step (Red)	9900384029
69	Motor Step (Green)	9900384036
70	Motor Step (Blue)	9900139063
71	Indicator PCB	9707210057
72	Clamper (Motor)	9315012012

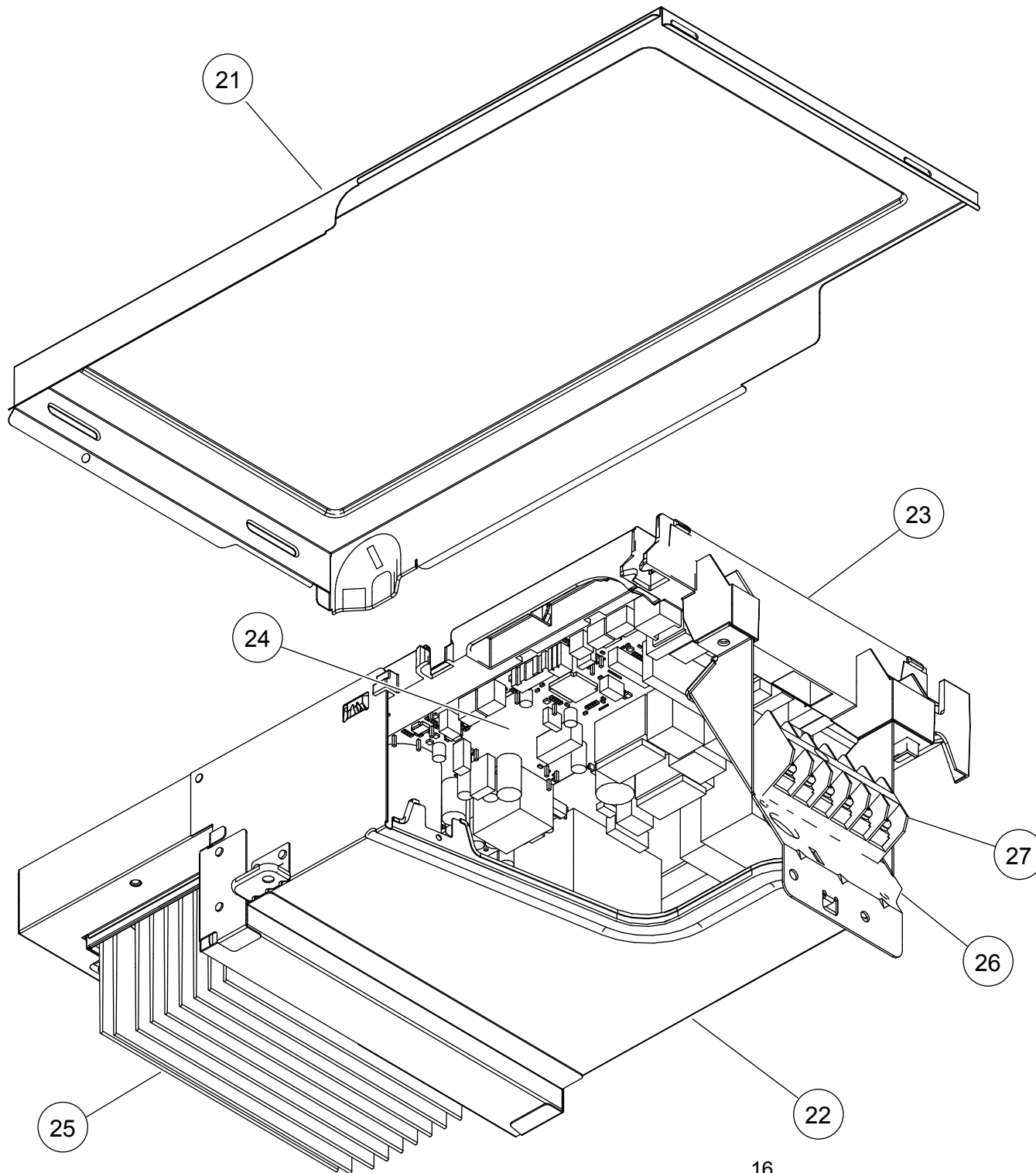
PARTS

OUTDOOR UNIT

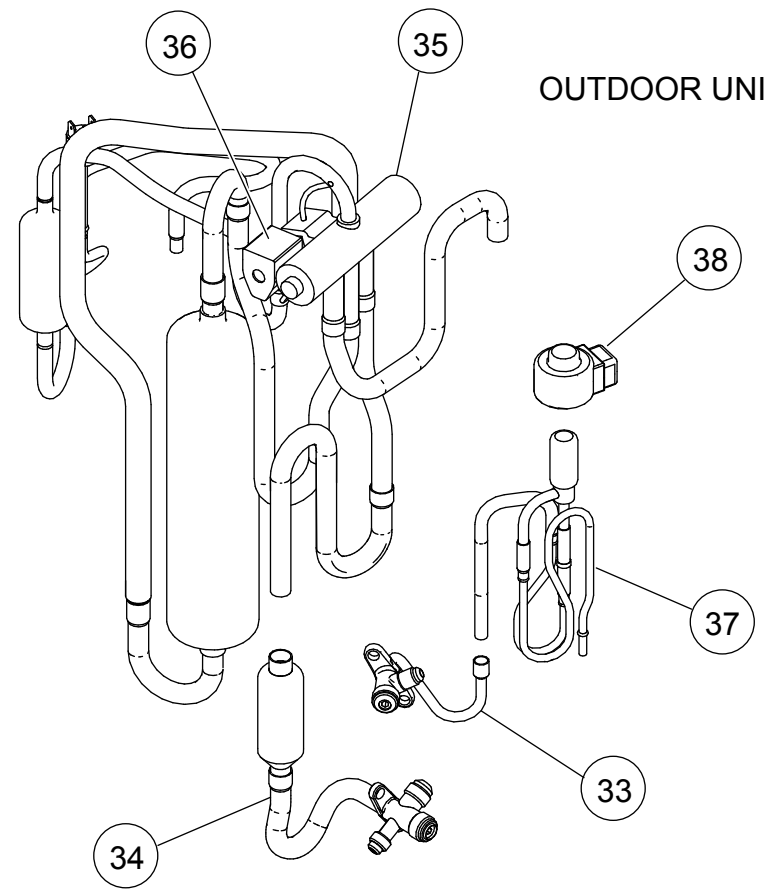
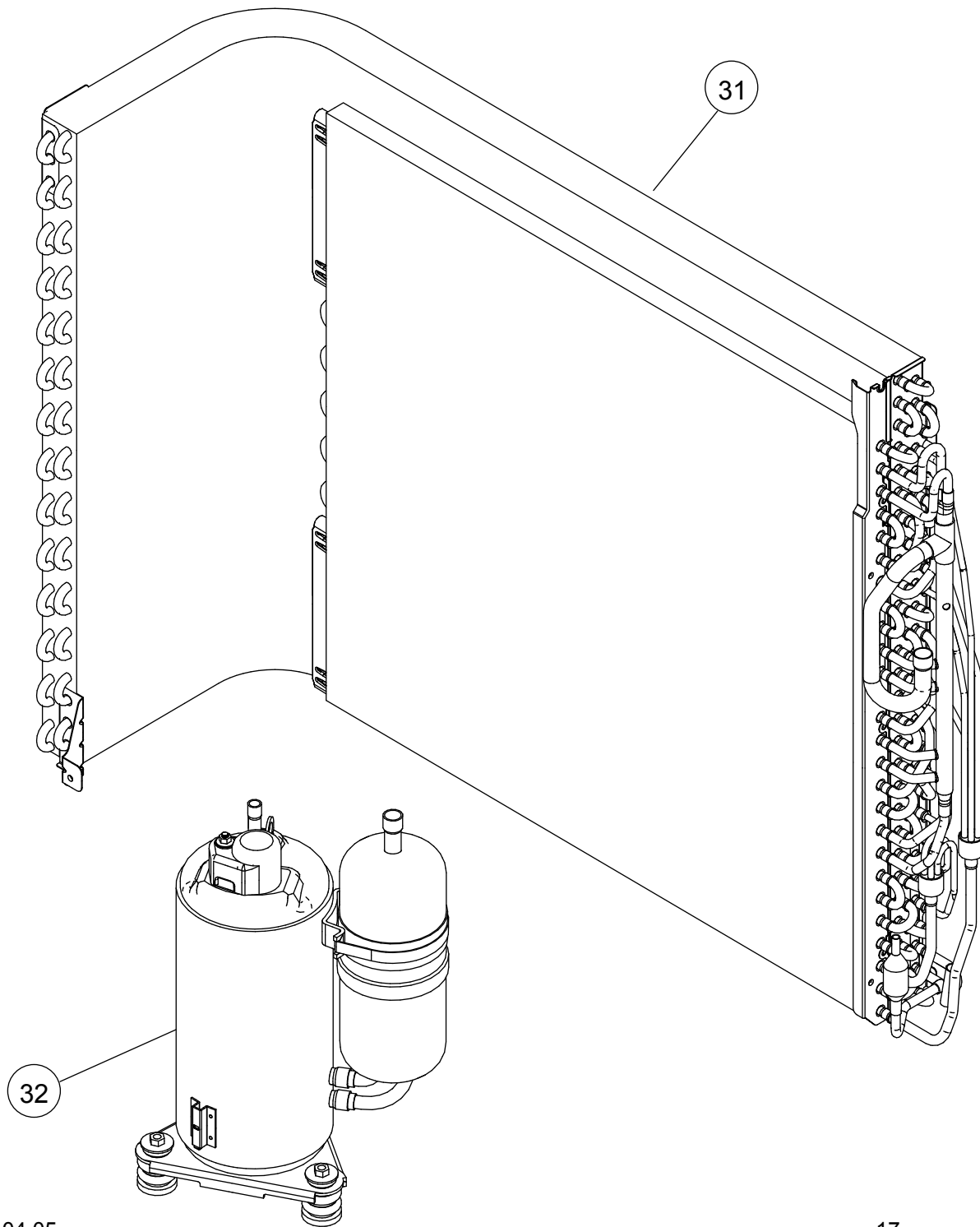


Ref.	Description	Part number
1	Protective Net	9331640015
2	Top Panel Assy	9318464139
3	Front Panel Assy	9318463040
4	Cabinet Left Assy	9318461015
5	Cabinet Right Assy	9318462012
6	Grip	9317588003
7	Switch Cover Assy	9318499001
8	Motor Bracket Assy	9319124001
9	Fan Motor	9602724017
10	Propeller Fan	9313808013
11	Base Assy	9316885066
--	Emblem	9319151007
--	Drain Assy	9303029022

OUTDOOR UNIT



Ref.	Description	Part number
21	Shield Panel	9319542003
22	Inverter Case Assy	9319548012
23	PCB Holder	9319547015
24	Main PCB	9708996165
25	Heat Sink	9319540009
26	Terminal Bracket	9319543017
27	Terminal 6P	9900435028
--	Outdoor Thermistor	9900565008
--	Thermistor Assy	9900727017
--	Compressor Thermistor	9900777012

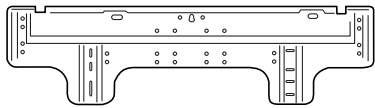
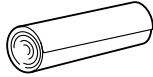
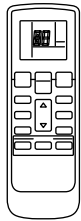
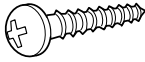
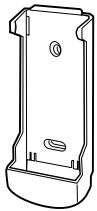


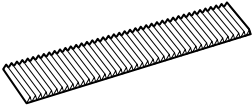
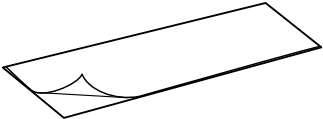
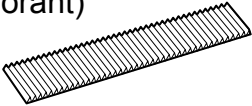
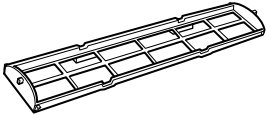


OUTDOOR UNIT

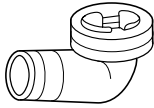
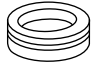
Ref.	Description	Part number
31	Condenser Total Assy	9317089166
32	Compressor	9810244000
33	2-way Valve Assy	9314554018
34	3-way Valve Sub Assy	9319098005
35	4-way Valve Assy	9319874012
36	Solenoid	9970110023
37	Pulse Motor Valve Assy	9314557019
38	Expansion Valve Coil	9970095030

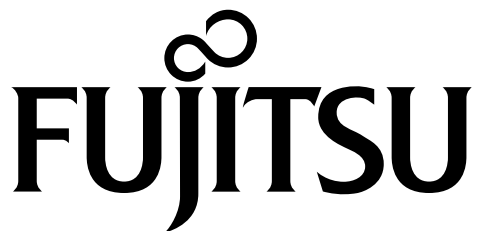
ACCESSORIES

INDOOR UNIT

Name and Shape	Part number	Name and Shape	Part number
Wall hook bracket 	9315023018	Cloth tape 	9310519004
Remote control 	9379219037	Tapping screw (big) 	0700076046
Remote control holder 	9305642045	Tapping screw (small) 	0700019036
Battery (penlight) 	0600185541	Air cleaning filter (Apple katekin) 	UTR-FA13-1
Drain hose insulation 	9361756007	Air cleaning filter (Ion deodorant) 	UTR-FA13-2
		Filter holder 	9368568009

OUTDOOR UNIT

Name and Shape	Part number
Drain assy 	9303029022
Drain cap 	313166024302



SPLIT TYPE
ROOM AIR CONDITIONER
WALL MOUNTED TYPE

SERVICE MANUAL



Indoor unit	Outdoor unit
ASYG24LFCA	AOYG24LFL

CONTENTS

SPECIFICATIONS.....	1
DIMENSIONS.....	2
REFRIGERANT SYSTEM DIAGRAM.....	3
CIRCUIT DIAGRAM.....	4
INDOOR PCB CIRCUIT DIAGRAM.....	5
OUTDOOR PCB CIRCUIT DIAGRAM.....	8
ERROR DETECTION.....	13
PARTS (INDOOR UNIT).....	14
PARTS (OUTDOOR UNIT).....	18
ACCESSORIES.....	21

SPECIFICATIONS

ELECTRICAL DATA

TYPE		Cool & heat inverter
INDOOR UNIT		ASYG24LFCA
OUTDOOR UNIT		AOYG24LFL
COOLING CAPACITY		7.10 kW
HEATING CAPACITY		8.00 kW
POWER SOURCE		230 V
FREQUENCY		50 Hz
RUNNING CURRENT	COOLING	9.7 A
	HEATING	9.7 A
INPUT WATTS	COOLING	2.20 kW
	HEATING	2.21 kW
E.E.R.	COOLING	3.23 kW/kW
COP	HEATING	3.61 kW/kW
MOISTURE REMOVAL		2.7 L/hr
AIR CIRCULATION HIGH		1,100 m ³ /hr
MAXIMUM CURRENT	COOLING	13.5 A
	HEATING	18.5 A

FAN MOTOR

POWER SOURCE		230 V
INDOOR UNIT (Cool)	High	1,430 r.p.m.
	Medium	1,220 r.p.m.
	Low	1,020 r.p.m.
	Quiet	860 r.p.m.
INDOOR UNIT (Heat)	High	1,480 r.p.m.
	Medium	1,220 r.p.m.
	Low	1,020 r.p.m.
	Quiet	860 r.p.m.
OUTDOOR UNIT (Cool)		1,050 r.p.m.
OUTDOOR UNIT (Heat)		1,100 r.p.m.

NOISE LEVEL

INDOOR UNIT (Cool)	High	47 dB
	Medium	42 dB
	Low	37 dB
	Quiet	32 dB
INDOOR UNIT (Heat)	High	48 dB
	Medium	42 dB
	Low	37 dB
	Quiet	32 dB
OUTDOOR UNIT (Cool)		53 dB
OUTDOOR UNIT (Heat)		56 dB

COMPRESSOR AND REFRIGERANT

TYPE		Hermetic type, 4 pole, Rotary, DC inverter motor
DISCRIMINATION		808-217-80(B)
WEIGHT WITH OIL		10.2 kg
PRECHARGED REFRIGERANT		1,650 g
REFRIGERANT TYPE		R410A
FULL CHARGE	Pipe length 15 m	1,650 g
	30 m	1,950 g
ADDITIONAL CHARGE		20 g/m
MAXIMUM HEIGHT DIFFERENCE		20 m

DIMENSIONS

INDOOR UNIT	H x W x D	320 x 998 x 238 mm
OUTDOOR UNIT	H x W x D	578 x 790 x 315 mm

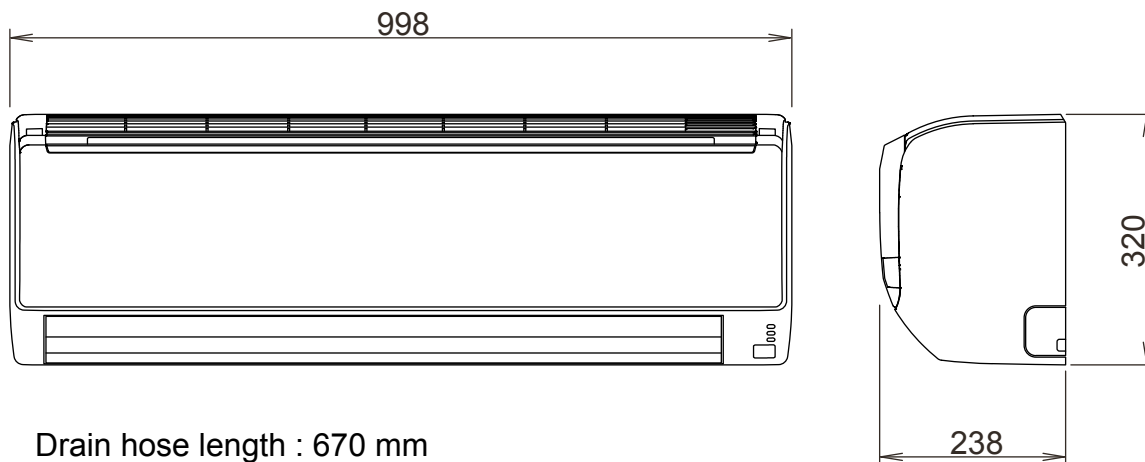
WEIGHT

INDOOR UNIT	Shipping / Net	18 kg / 14 kg
OUTDOOR UNIT	Shipping / Net	47 kg / 43 kg

DIMENSIONS

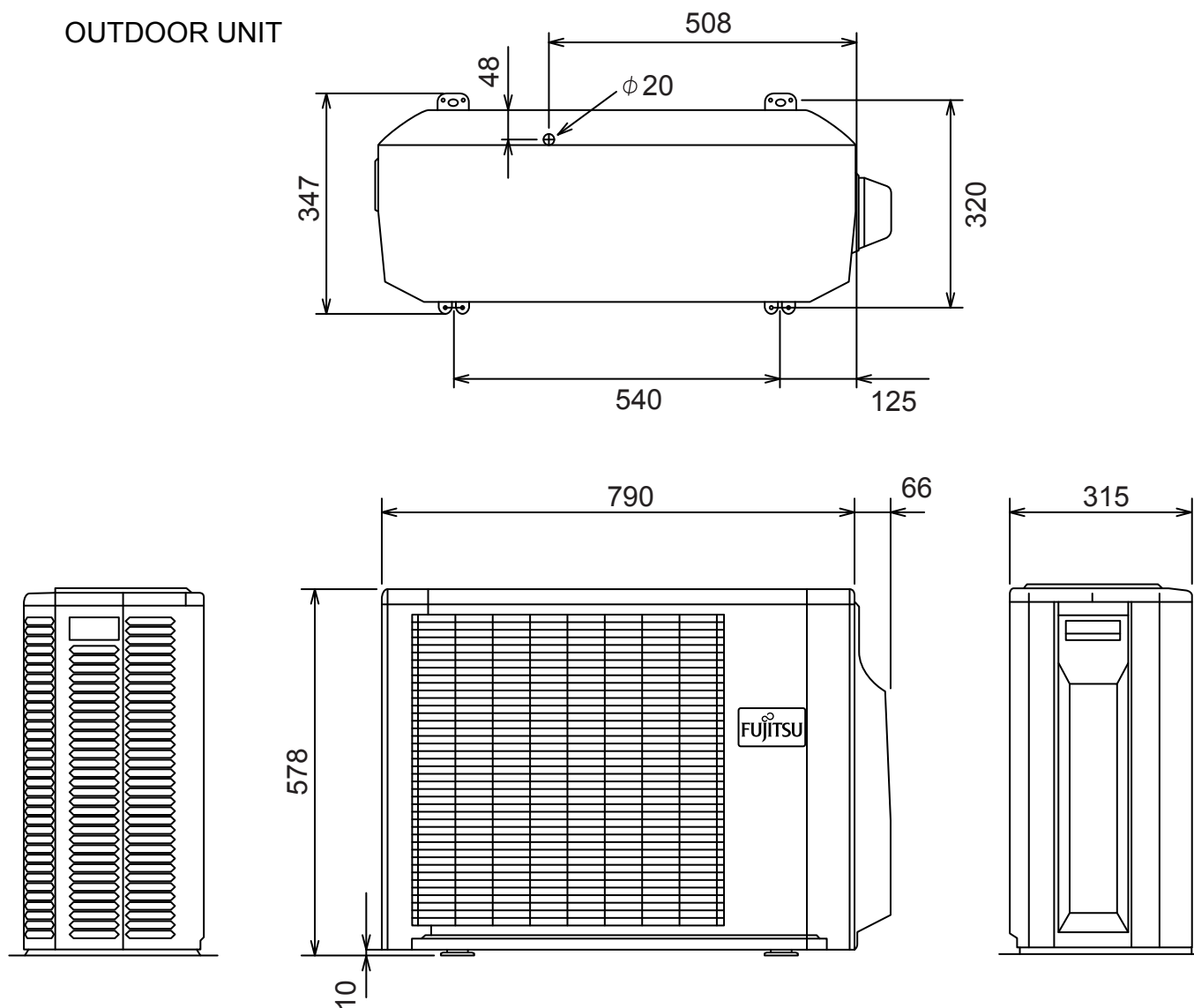
Unit : mm

INDOOR UNIT

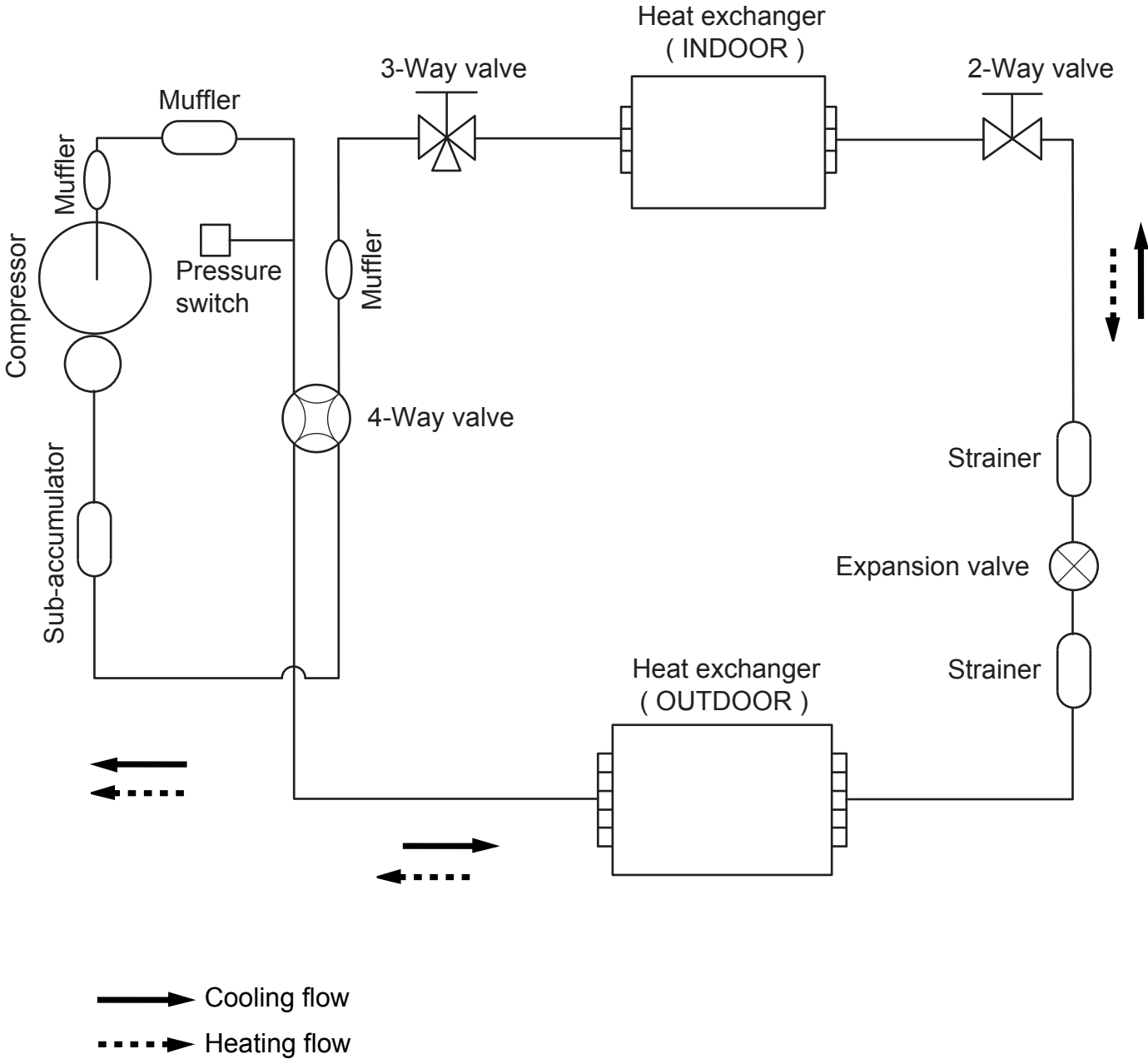


Drain hose length : 670 mm

OUTDOOR UNIT



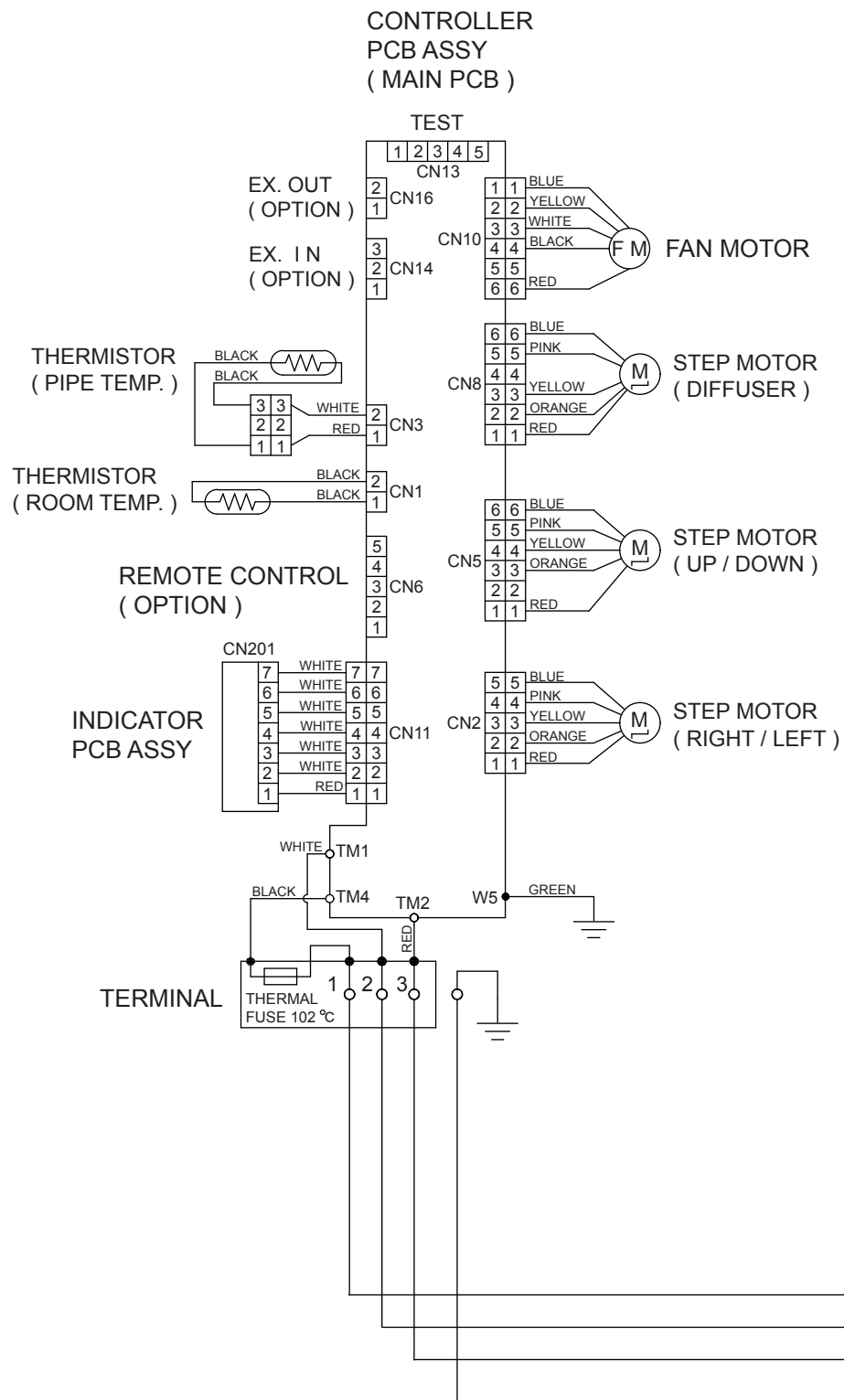
REFRIGERANT SYSTEM DIAGRAM



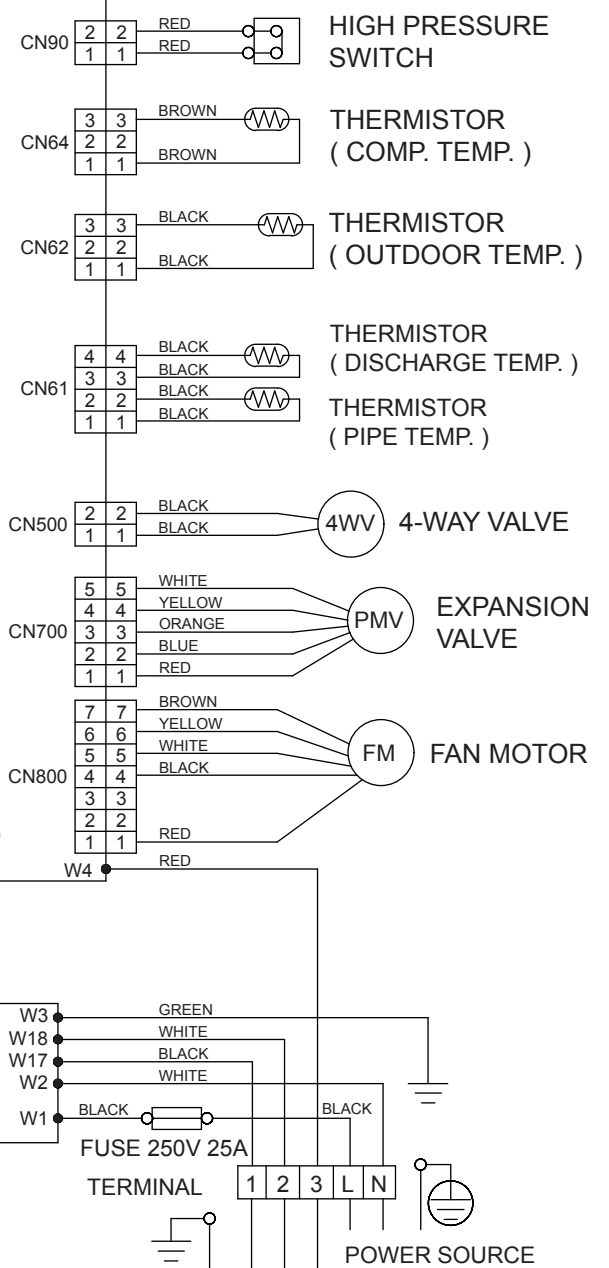
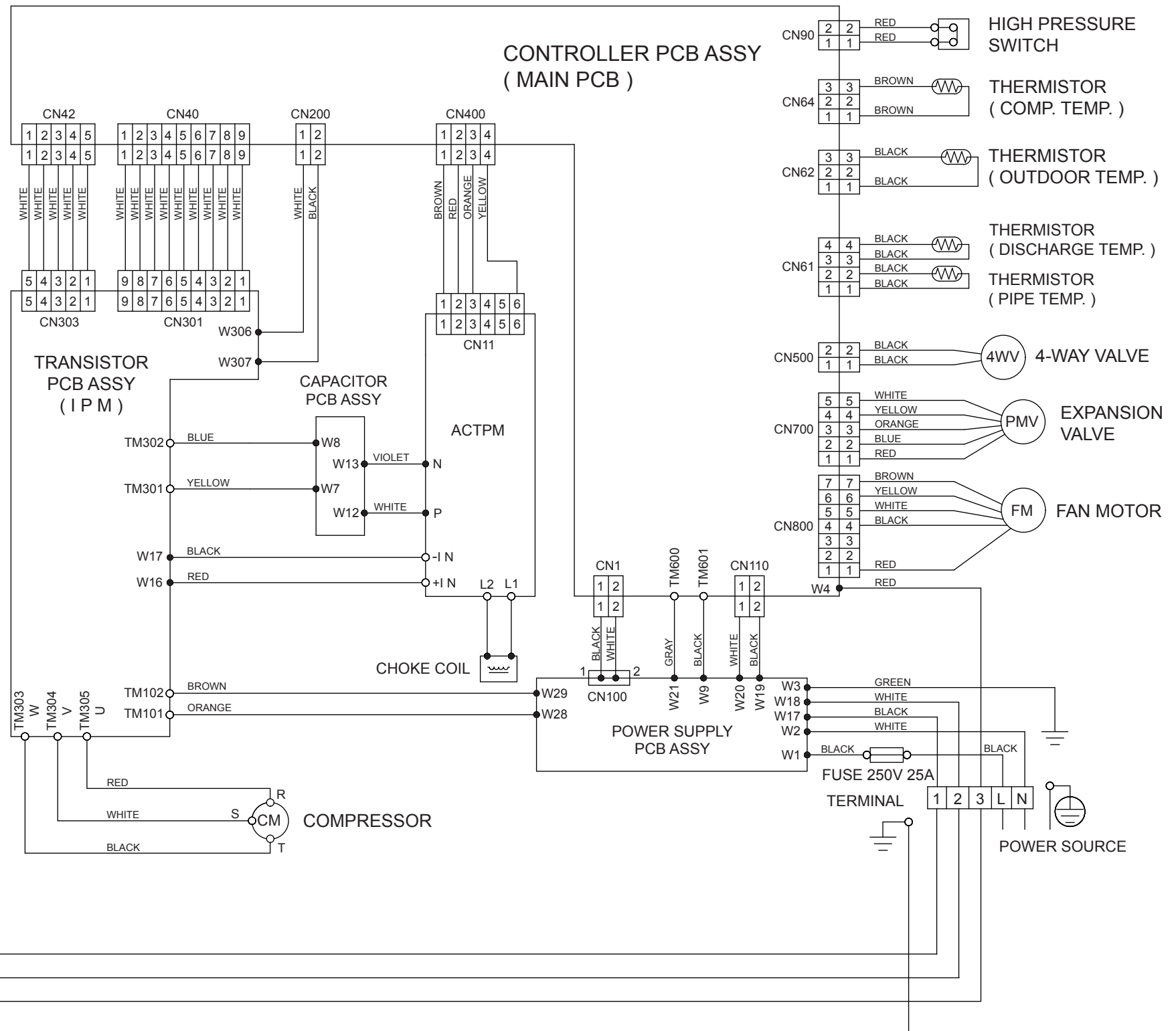
Refrigerant pipe diameter
 Liquid : 1/4" (6.35 mm)
 Gas : 5/8" (15.88 mm)

CIRCUIT DIAGRAM

INDOOR UNIT

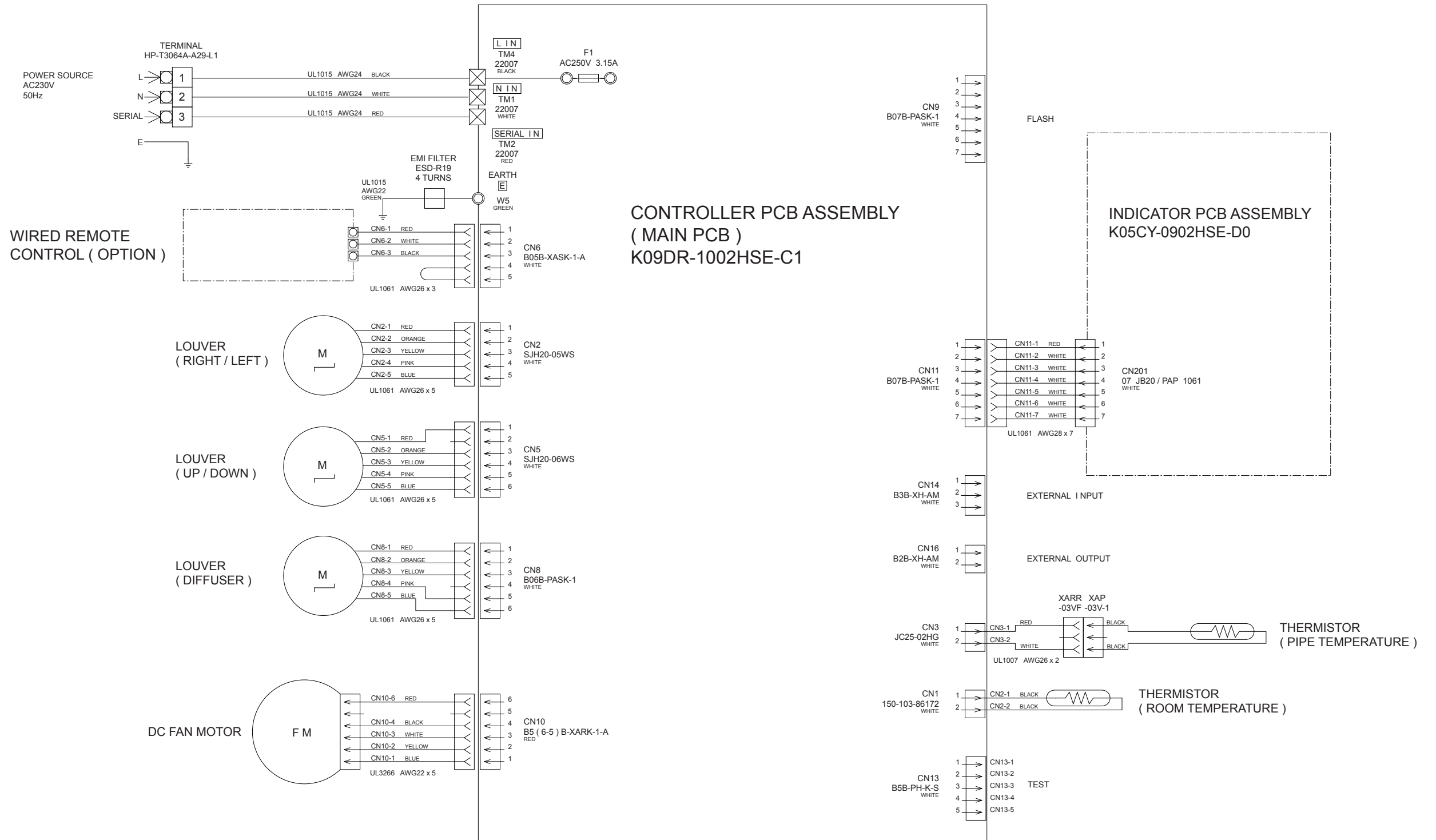


OUTDOOR UNIT

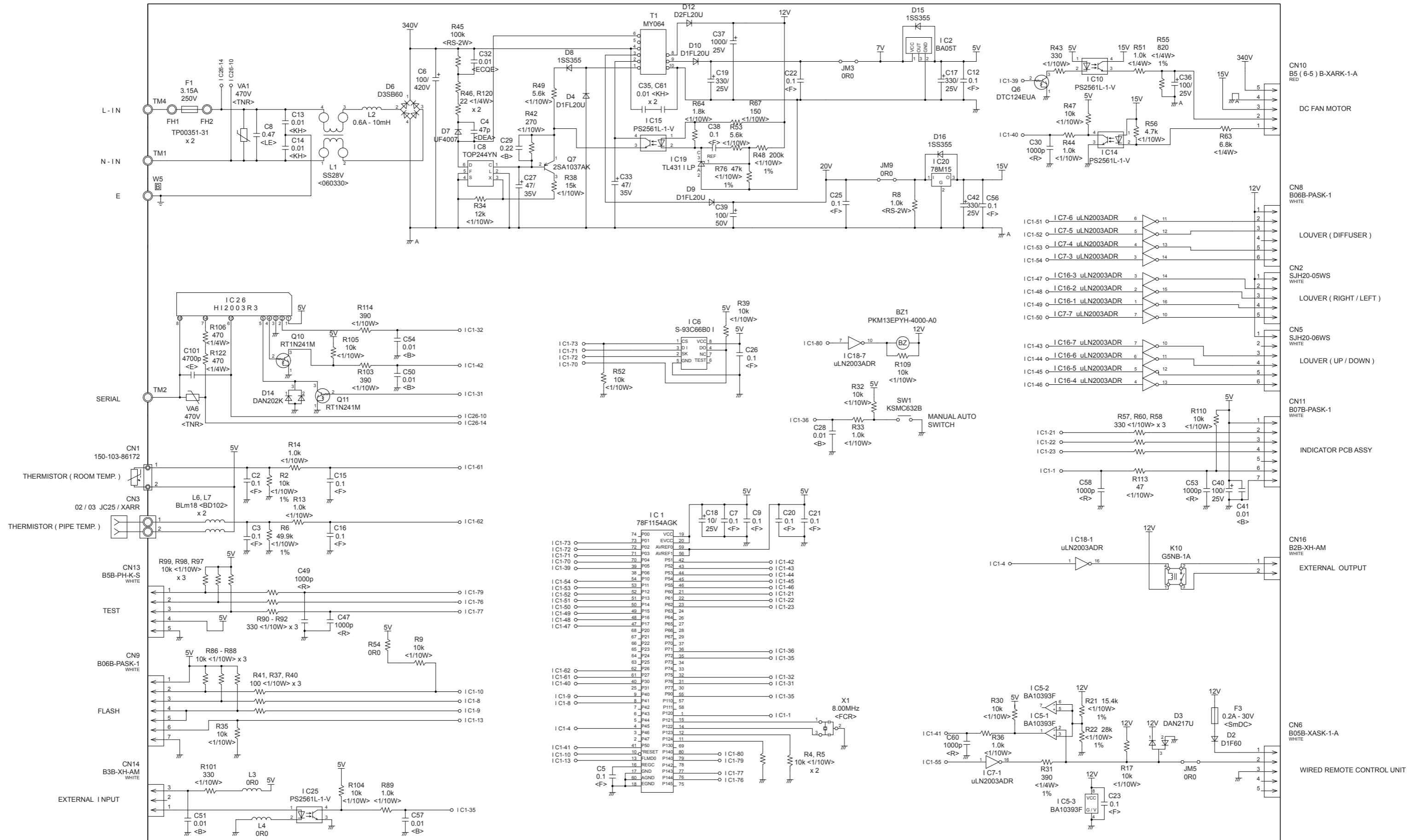


INDOOR PCB CIRCUIT DIAGRAM

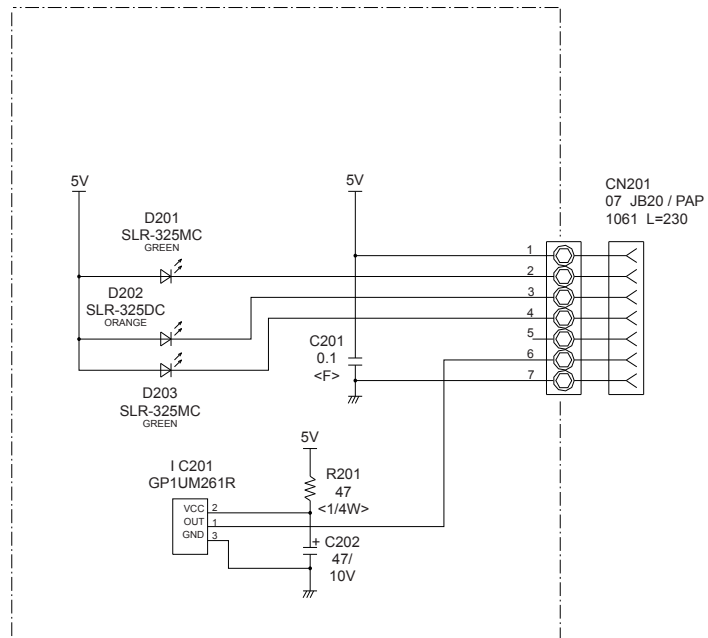
CONTROL UNIT
EZ-01001HSE



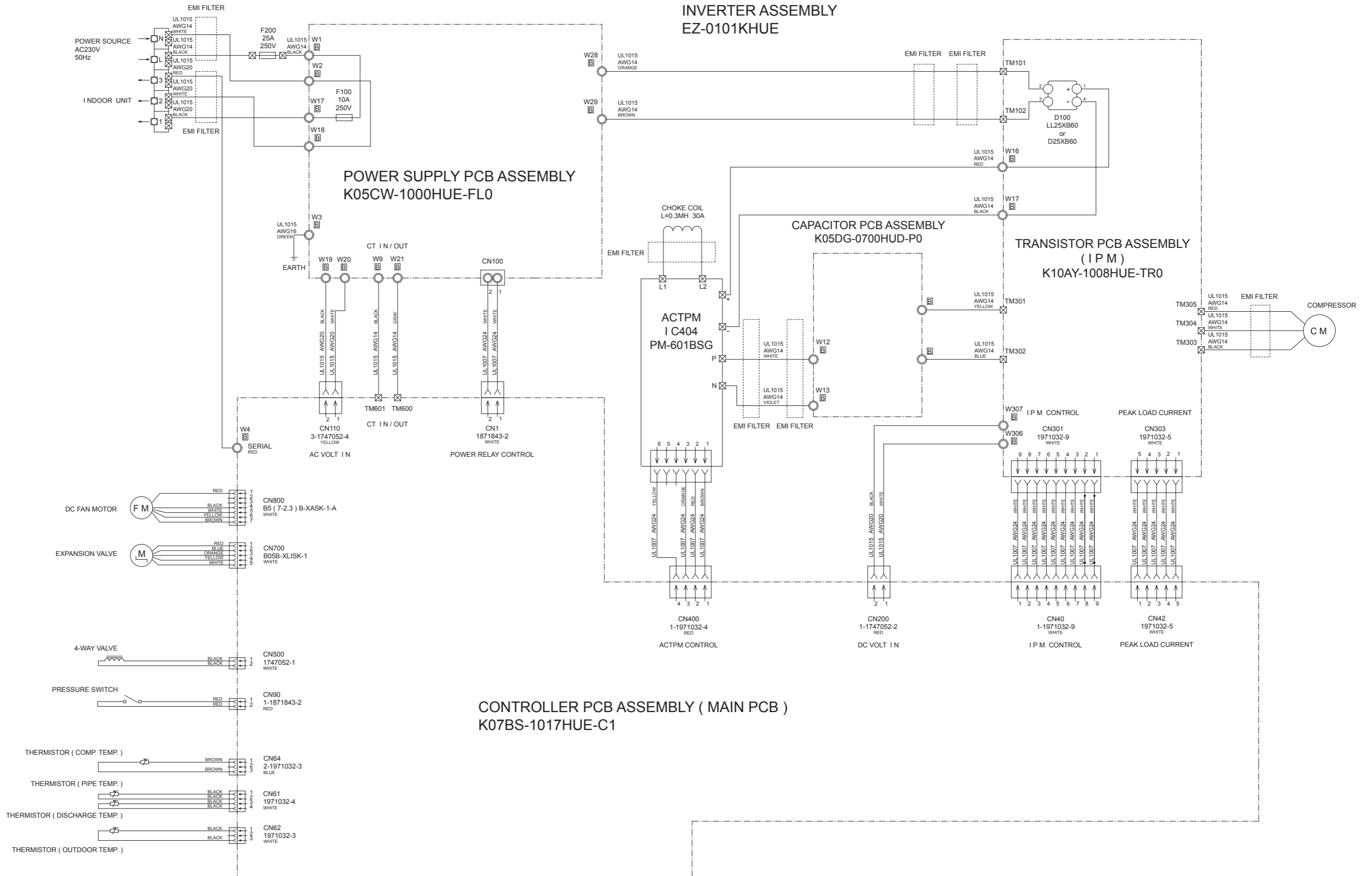
INDOOR UNIT
 CONTROLLER PCB ASSEMBLY (MAIN PCB)
 K09DR-1002HSE-C1



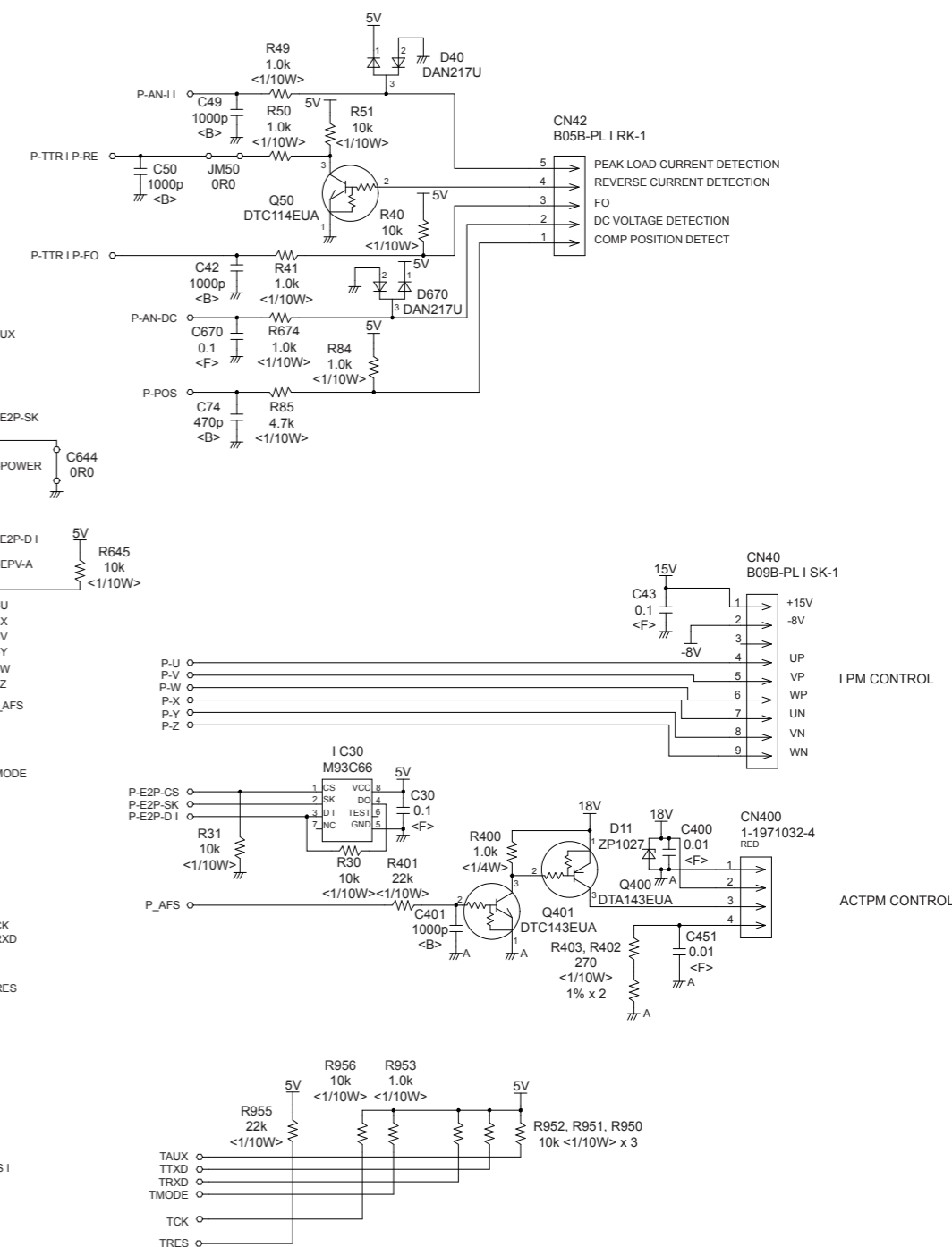
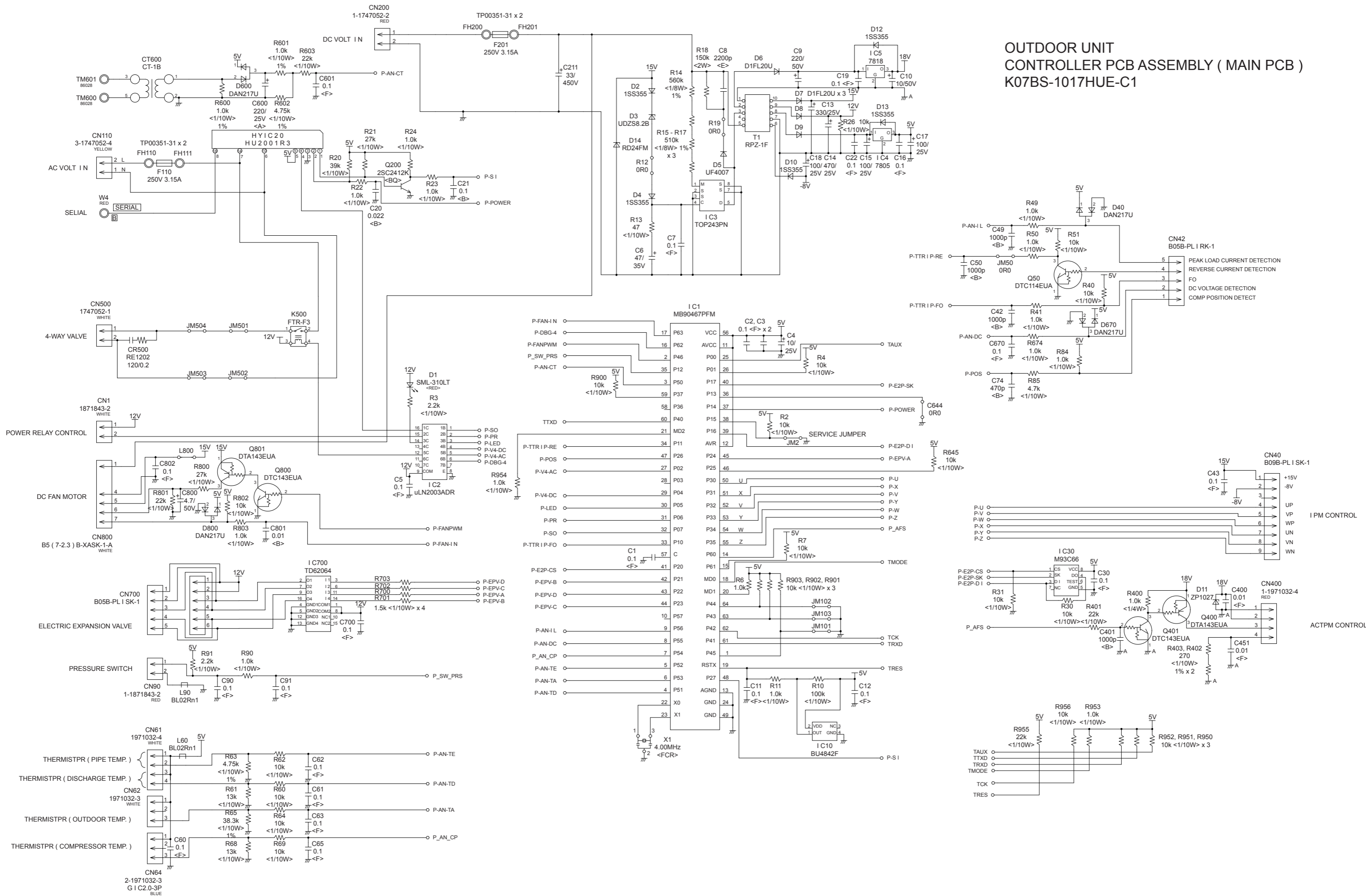
INDOOR UNIT
 INDICATOR PCB ASSEMBLY
 K05CY-0902HSE-D0



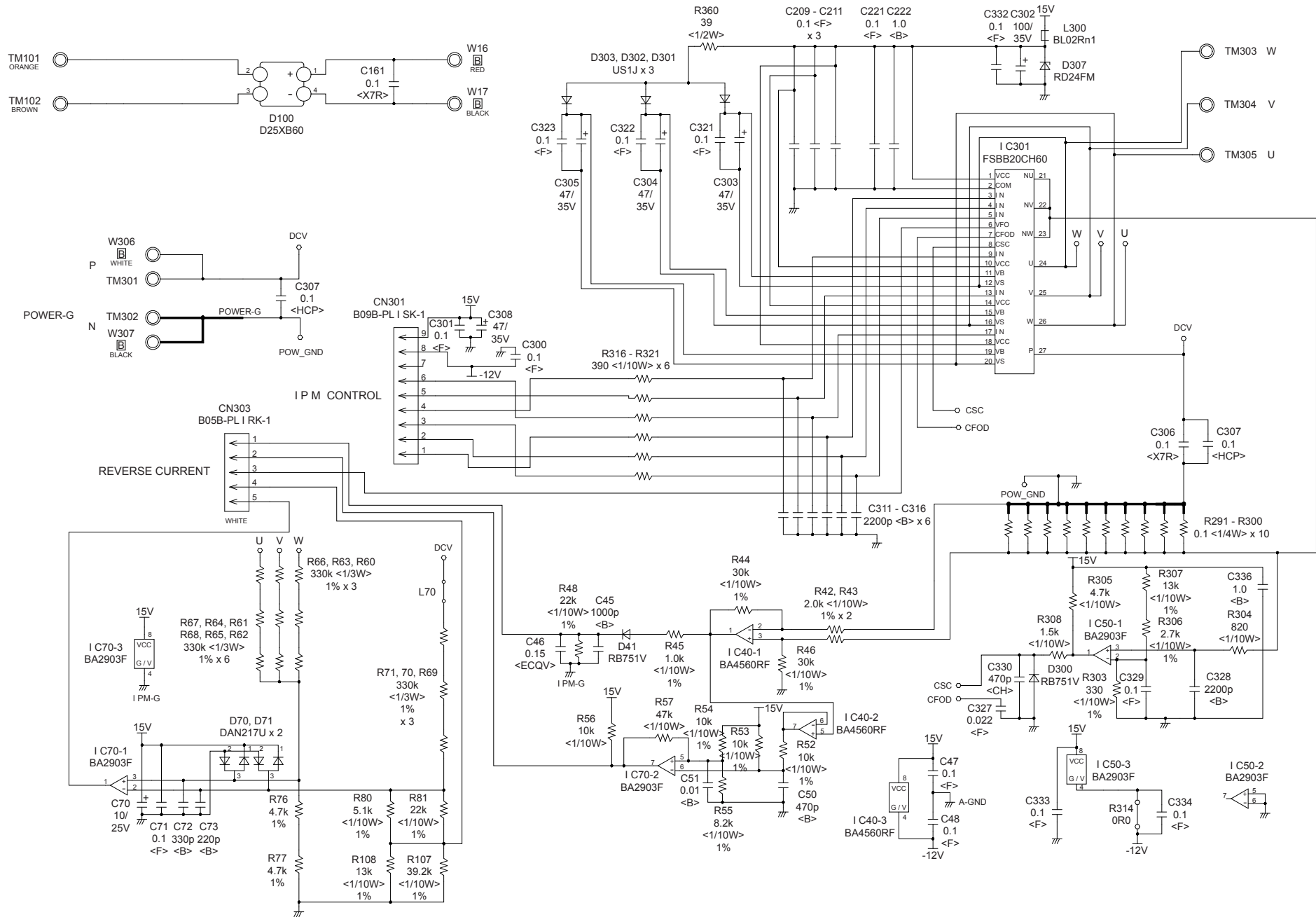
OUTDOOR PCB CIRCUIT DIAGRAM



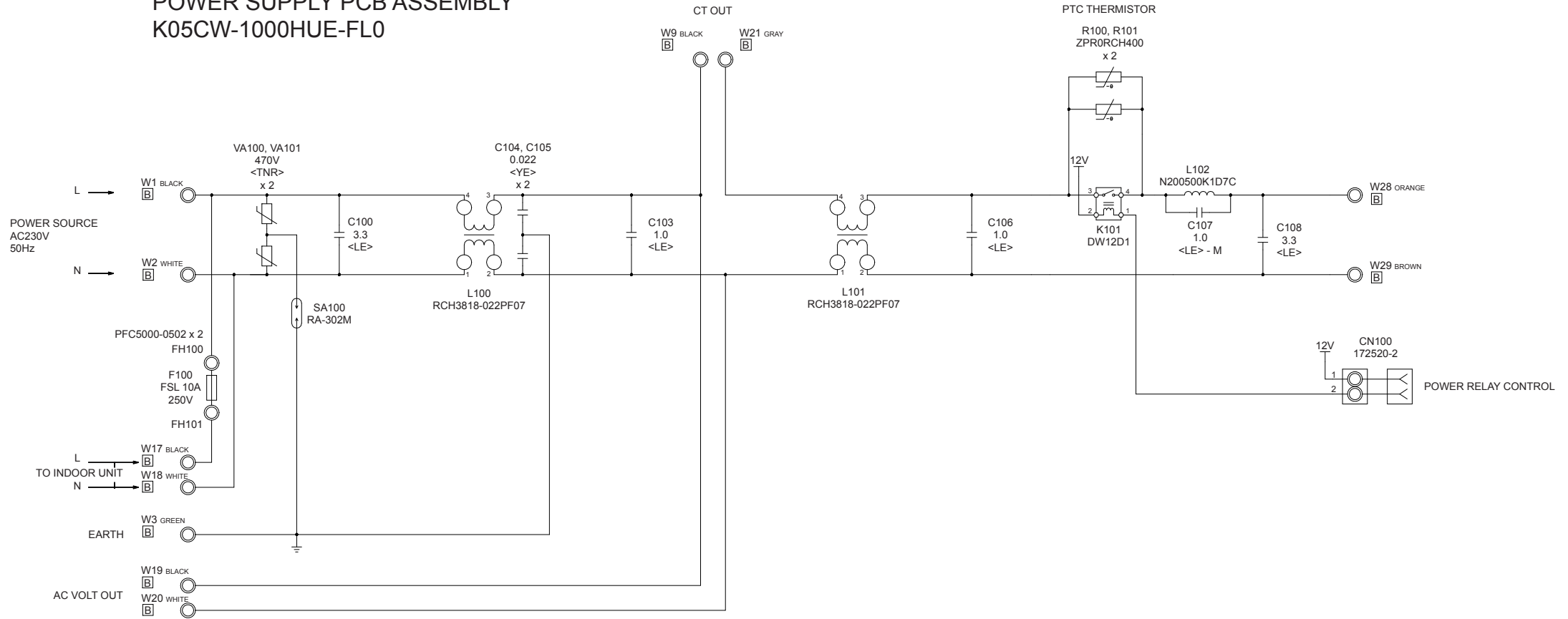
OUTDOOR UNIT CONTROLLER PCB ASSEMBLY (MAIN PCB) K07BS-1017HUE-C1



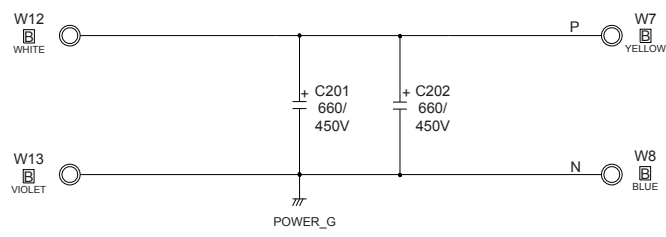
OUTDOOR UNIT TRANSISTOR PCB ASSEMBLY (I P M) K10AY-1008HUE-TR0



OUTDOOR UNIT POWER SUPPLY PCB ASSEMBLY K05CW-1000HUE-FL0



OUTDOOR UNIT
CAPACITOR PCB ASSY
K05DG-0700HUD-P0



- : 0.5s on / 0.5s off
- ◇ : 0.1s on / 0.1s off
- () : Number of flashing

ERROR DETECTION

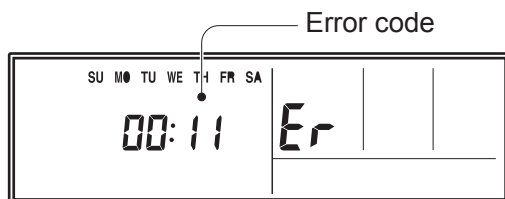
INDOOR UNIT and WIRED REMOTE CONTROL

If you use a wireless remote control, the lamp on the photo detector unit will output error codes by way of blinking patterns.

If you use a wired type remote control, error codes will appear on the remote control display. See the lamp blinking patterns and error codes in the table. An error display is displayed only during running.

Troubleshooting with the wired remote control.

If an error occurs, the following display will be shown. ("Er" will appear in the set room temperature display.)

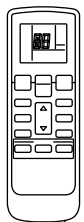
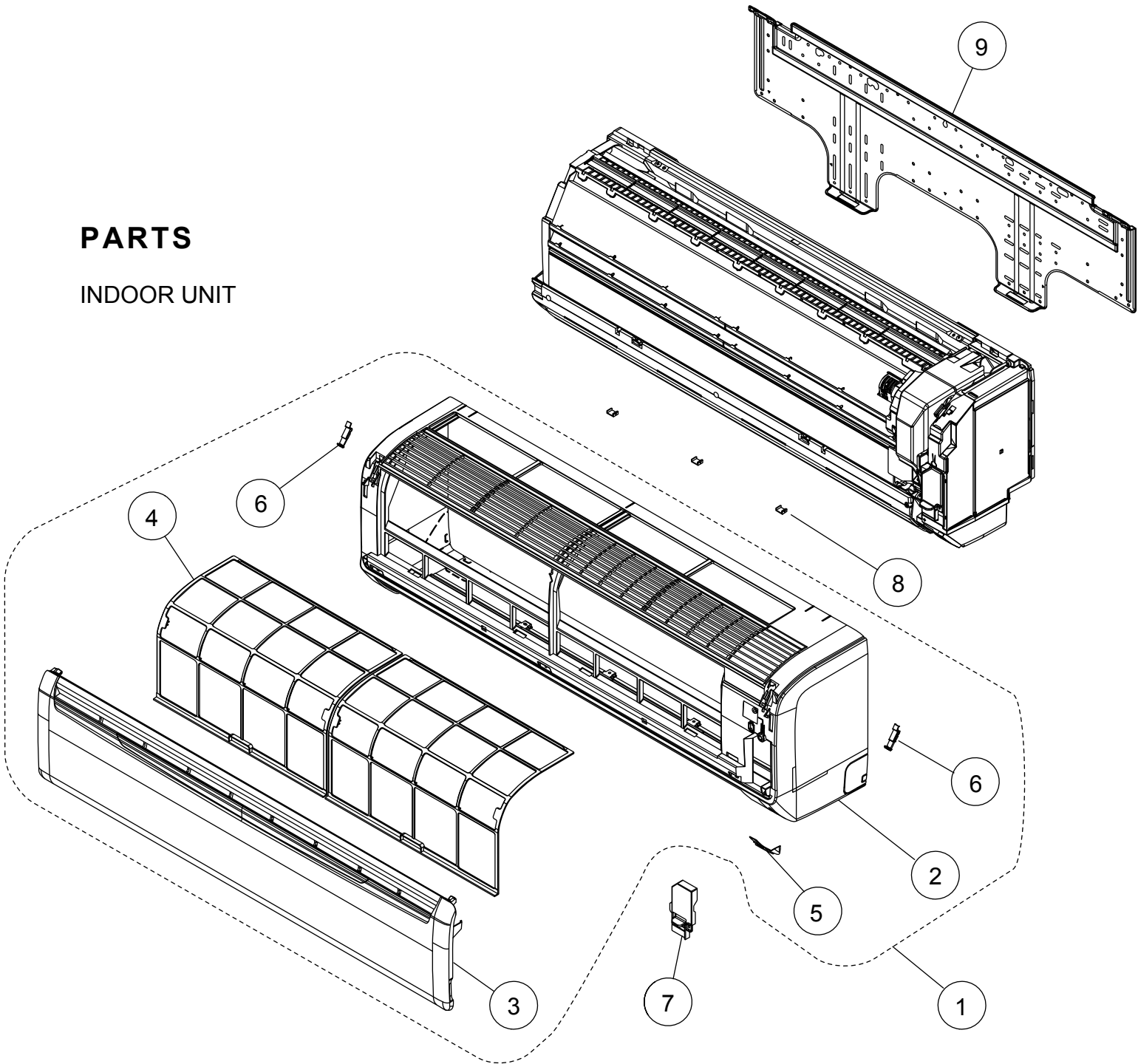


EX. Self-diagnosis

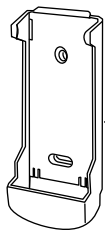
Indoor unit			Wired remote control	Description
OPERATION lamp (green)	TIMER lamp (orange)	ECONOMY lamp (green)		
●(1)	●(1)	◇	11	Serial communication error
●(1)	●(2)	◇	12	Wired remote control communication error
●(1)	●(5)	◇	15	Check run unfinished
●(2)	●(1)	◇	21	Unit number or Refrigerant circuit address setting error [Simultaneous Multi]
●(2)	●(2)	◇	22	Indoor unit capacity error
●(2)	●(3)	◇	23	Combination error
●(2)	●(4)	◇	24	• Connection unit number error (indoor slave unit) [Simultaneous Multi] • Connection unit number error (indoor unit or branch unit) [Flexible Multi]
●(2)	●(7)	◇	27	Master unit, slave unit set-up error [Simultaneous Multi]
●(3)	●(2)	◇	32	Indoor unit PCB model information error
●(3)	●(5)	◇	35	Manual auto switch error
●(4)	●(1)	◇	41	Inlet air temp. sensor error
●(4)	●(2)	◇	42	Indoor unit Heat Ex. Middle temp. sensor error
●(5)	●(1)	◇	51	Indoor unit fan motor error
●(5)	●(3)	◇	53	Drain pump error
●(5)	●(7)	◇	57	Damper error
●(5)	●(15)	◇	5U	Indoor unit error
●(6)	●(2)	◇	62	Outdoor unit main PCB model information error or communication error
●(6)	●(3)	◇	63	Inverter error
●(6)	●(4)	◇	64	Active filter error, PFC circuit error
●(6)	●(5)	◇	65	Trip terminal L error
●(6)	●(10)	◇	6A	Display PCB microcomputers communication error
●(7)	●(1)	◇	71	Discharge temp. sensor error
●(7)	●(2)	◇	72	Compressor temp. sensor error
●(7)	●(3)	◇	73	Outdoor unit Heat Ex. liquid temp. sensor error
●(7)	●(4)	◇	74	Outdoor temp. sensor error
●(7)	●(5)	◇	75	Suction Gas temp. sensor error
●(7)	●(6)	◇	76	• 2-way valve temp. sensor error • 3-way valve temp. sensor error
●(7)	●(7)	◇	77	Heat sink temp. sensor error
●(8)	●(2)	◇	82	• Sub-cool Heat Ex. gas inlet temp. sensor error • Sub-cool Heat Ex. gas outlet temp. sensor error
●(8)	●(3)	◇	83	Liquid pipe temp. sensor error
●(8)	●(4)	◇	84	Current sensor error
●(8)	●(6)	◇	86	• Discharge pressure sensor error • Suction pressure sensor error • High pressure switch error
●(9)	●(4)	◇	94	Trip detection
●(9)	●(5)	◇	95	Compressor rotor position detection error (permanent stop)
●(9)	●(7)	◇	97	Outdoor unit fan motor error
●(9)	●(9)	◇	99	4-way valve error
●(10)	●(1)	◇	A1	Discharge temp. error
●(10)	●(3)	◇	A3	Compressor temp. error
●(10)	●(4)	◇	A4	High pressure error
●(10)	●(5)	◇	A5	Low pressure error
●(13)	●(2)	◇	J2	Branch boxes error [Flexible Multi]

PARTS

INDOOR UNIT



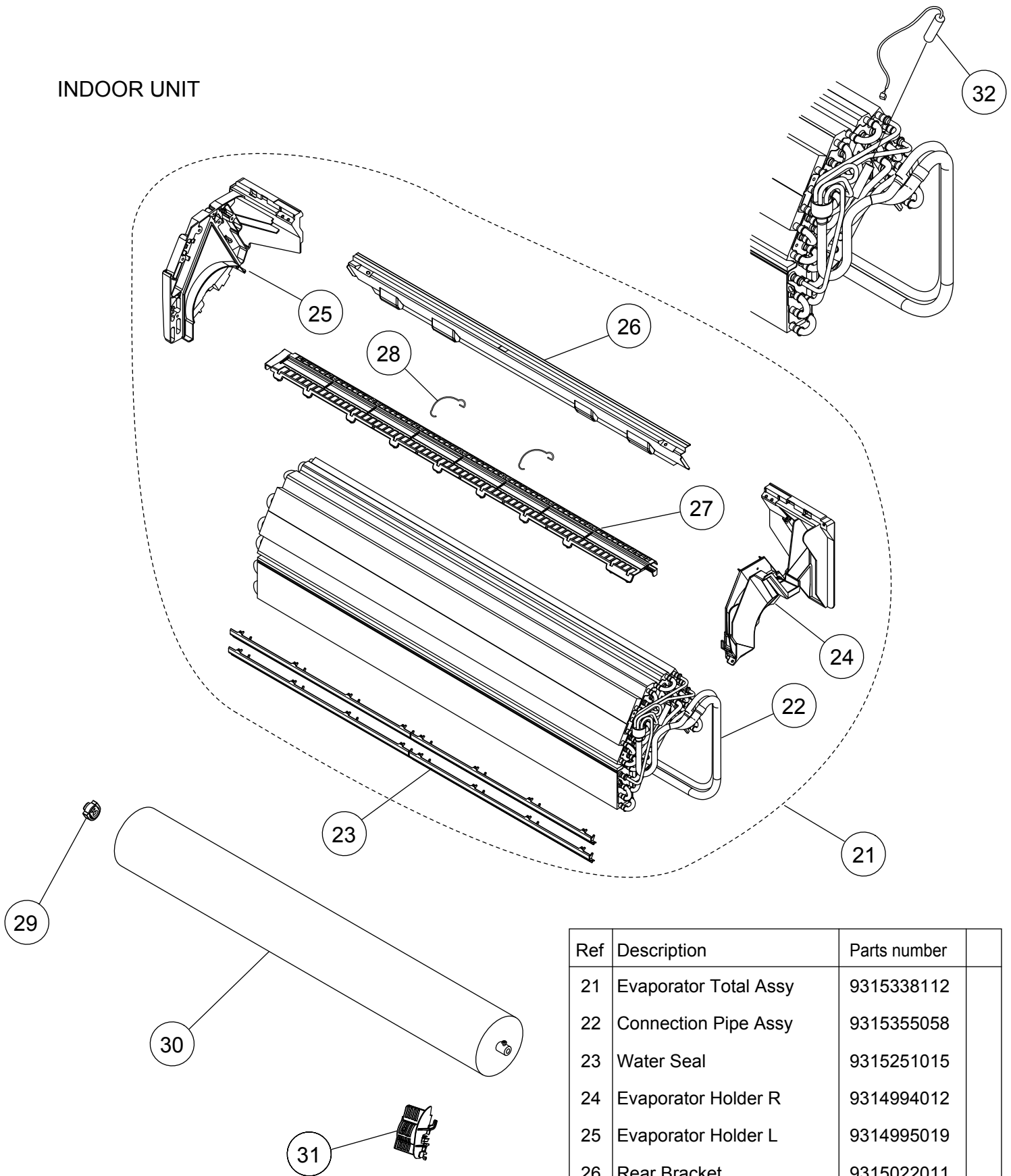
10



11

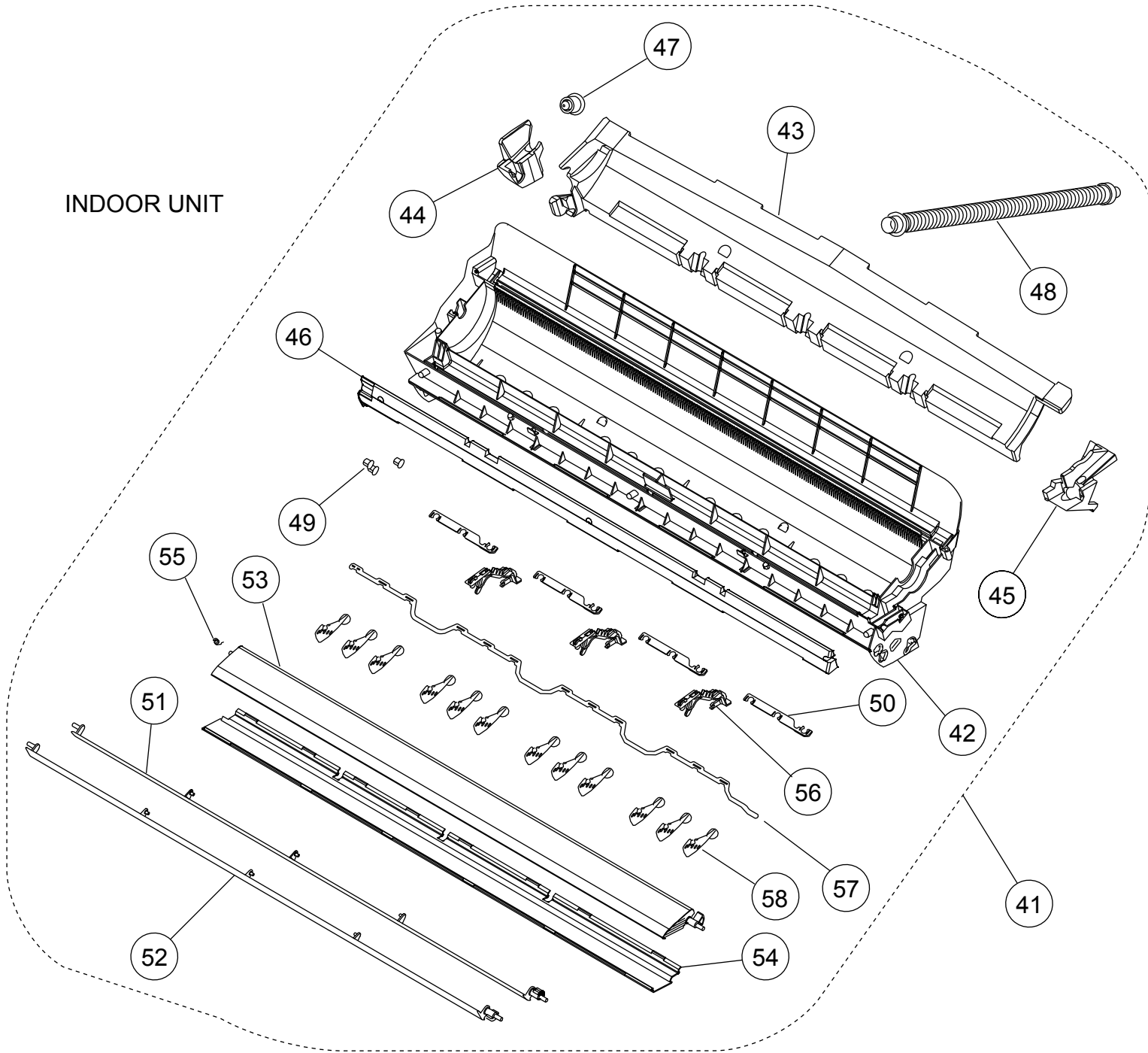
Ref	Description	Parts number
1	Front Panel Total Assy	9318738001
2	Front Panel	9314991080
3	Intake Grille Assy	9385985049
4	Air Filter	9315014016
5	Receiver Window	9315010018
6	Clamper Grille	9306755010
7	Wire Clamper	9315015013
8	Cap (Screw)	9309002050
9	Bracket Panel	9315023018
10	Remote Control	9379219037
11	Remote Control Holder	9305642045
--	Air Clean Filter Assy	9315212016

INDOOR UNIT



Ref	Description	Parts number
21	Evaporator Total Assy	9315338112
22	Connection Pipe Assy	9315355058
23	Water Seal	9315251015
24	Evaporator Holder R	9314994012
25	Evaporator Holder L	9314995019
26	Rear Bracket	9315022011
27	Filter Guide	9315013019
28	Filter Guard	9315411013
29	Bearing C Assy	9306628017
30	Crossflow Fan Assy	9315024015
31	Holder (Room Thermistor)	9315252012
32	Pipe Thermistor	9900551018

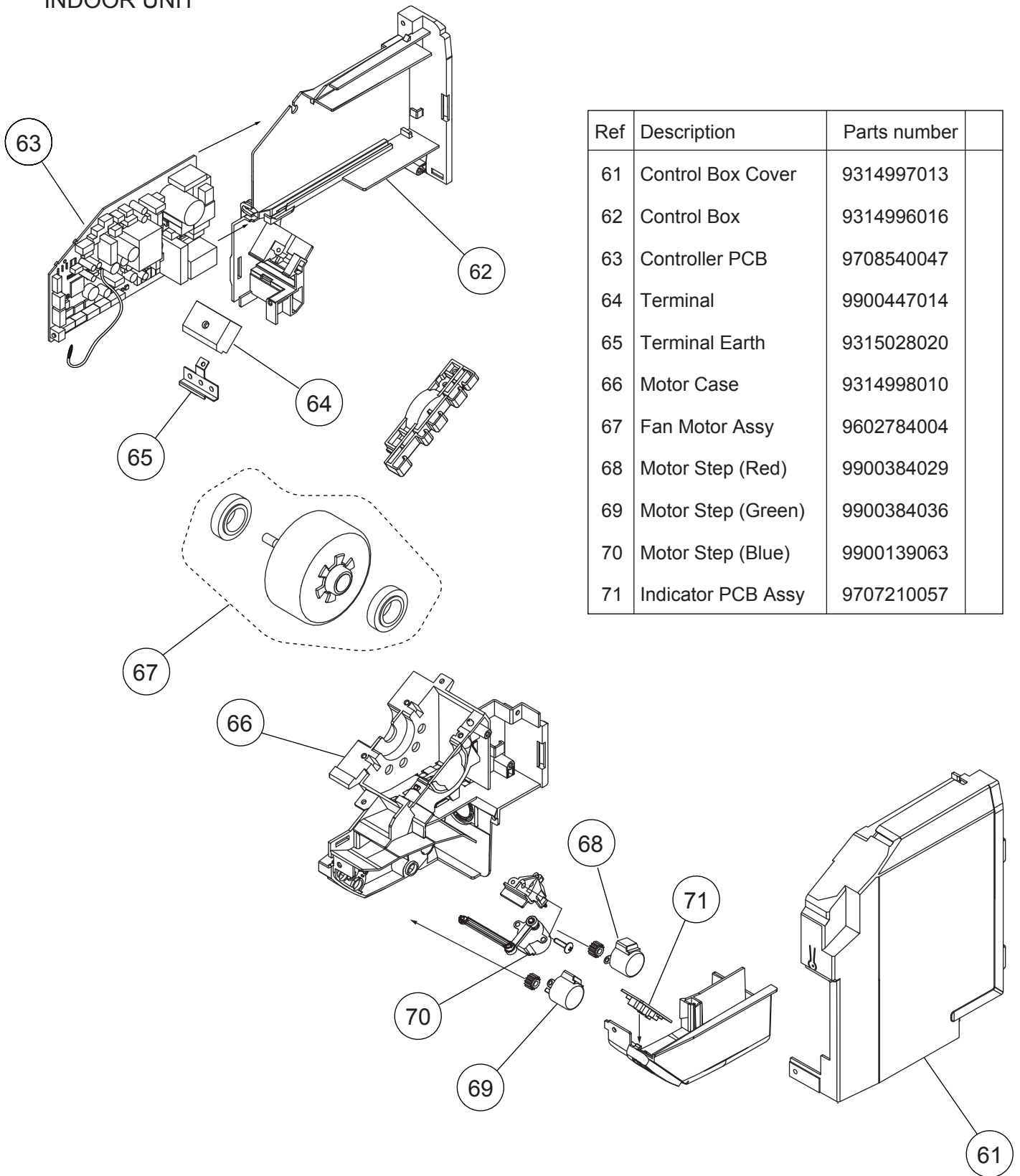
INDOOR UNIT



Ref	Description	Parts number
41	Casing Assy	9315331045
42	Casing	9314993015
43	Casing Cover B	9315016010
44	Casing Cover L	9315017017
45	Casing Cover R	9315018014
46	Casing Cover F	9315019011
47	Drain Cap	9367677009
48	Drain Hose Assy	9315769015
49	Bush B	9312156016
50	Spacer B	9312441013

Ref	Description	Parts number
51	Louver U	9315000019
52	Louver Z	9315001016
53	Diffuser U	9315002013
54	Diffuser Z	9315003010
55	Spring C	9314142017
56	Pillar A	9315009012
57	Joint B	9315006011
58	R and L Louver	9311997016
-	Fan Guard	9305751051
-	Fan Guard Holder Right	9315814012
-	Fan Guard Holder Left	9315815019

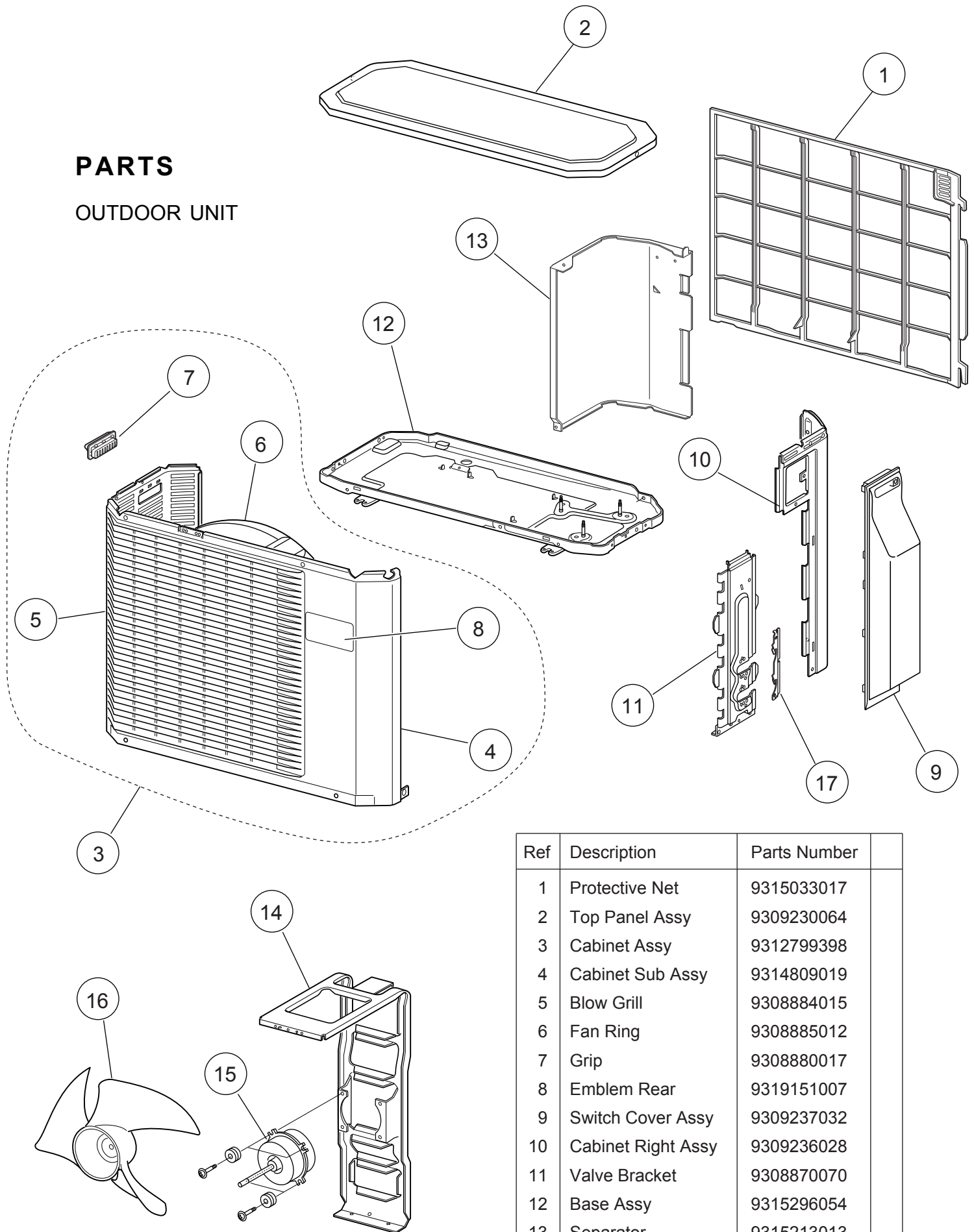
INDOOR UNIT



Ref	Description	Parts number
61	Control Box Cover	9314997013
62	Control Box	9314996016
63	Controller PCB	9708540047
64	Terminal	9900447014
65	Terminal Earth	9315028020
66	Motor Case	9314998010
67	Fan Motor Assy	9602784004
68	Motor Step (Red)	9900384029
69	Motor Step (Green)	9900384036
70	Motor Step (Blue)	9900139063
71	Indicator PCB Assy	9707210057

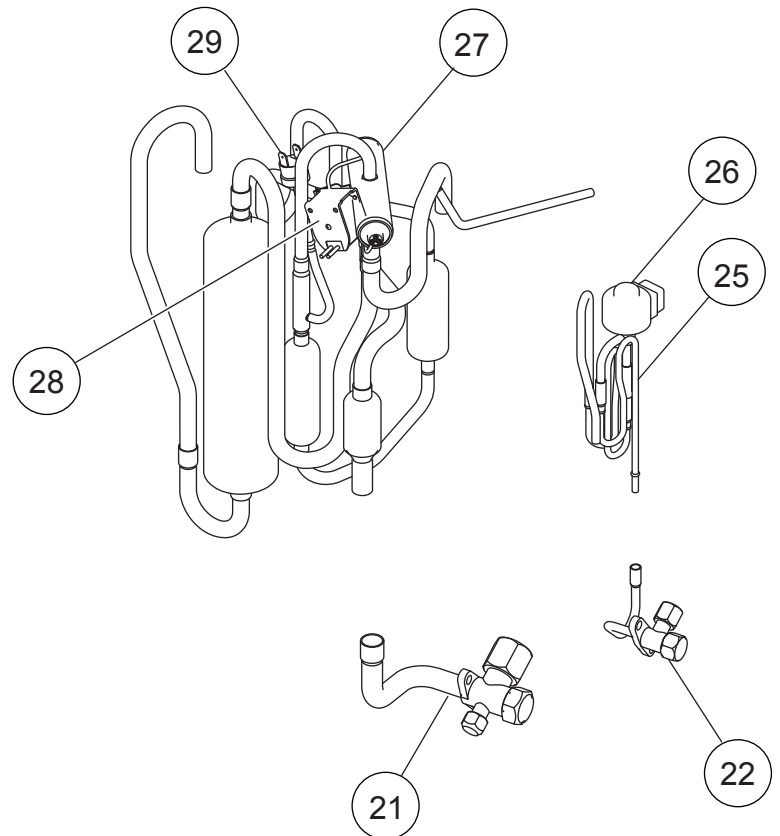
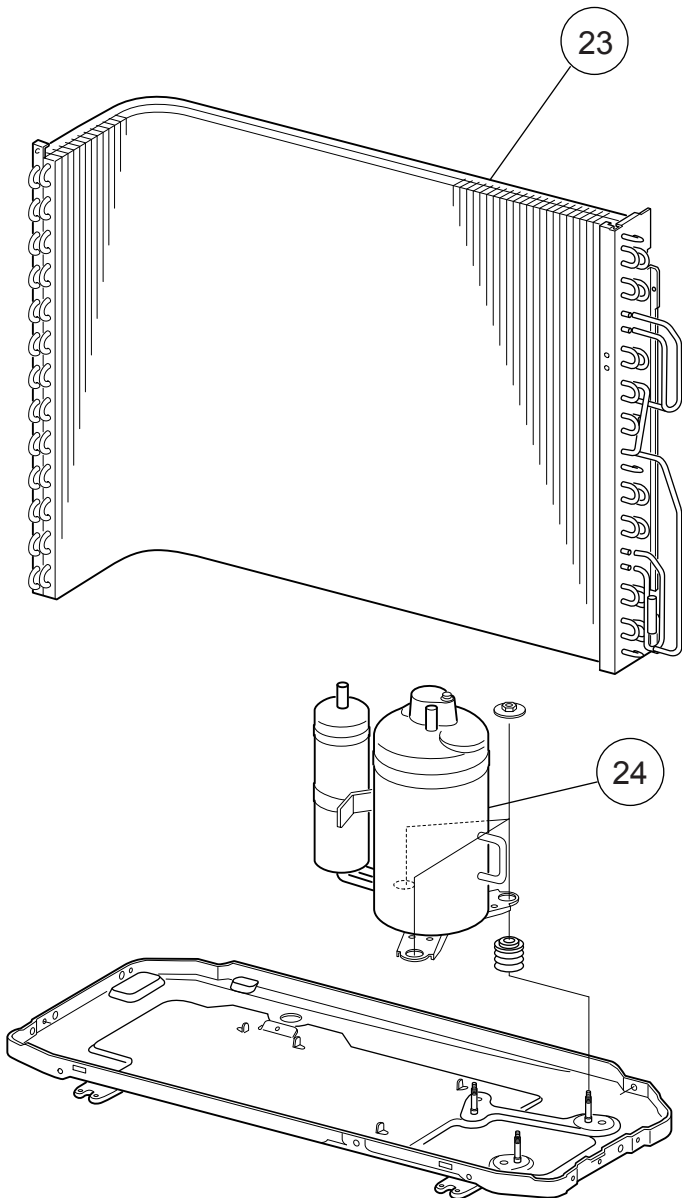
PARTS

OUTDOOR UNIT

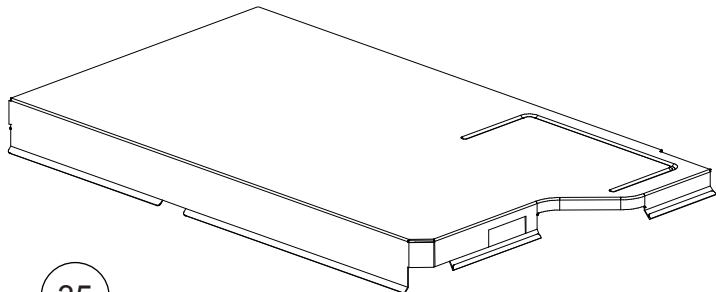


Ref	Description	Parts Number
1	Protective Net	9315033017
2	Top Panel Assy	9309230064
3	Cabinet Assy	9312799398
4	Cabinet Sub Assy	9314809019
5	Blow Grill	9308884015
6	Fan Ring	9308885012
7	Grip	9308880017
8	Emblem Rear	9319151007
9	Switch Cover Assy	9309237032
10	Cabinet Right Assy	9309236028
11	Valve Bracket	9308870070
12	Base Assy	9315296054
13	Separator	9315213013
14	Motor Bracket Assy	9313432027
15	DC Brushless Motor	9603019006
16	Propeller Fan	9309909014
17	Valve Cover	9316884007

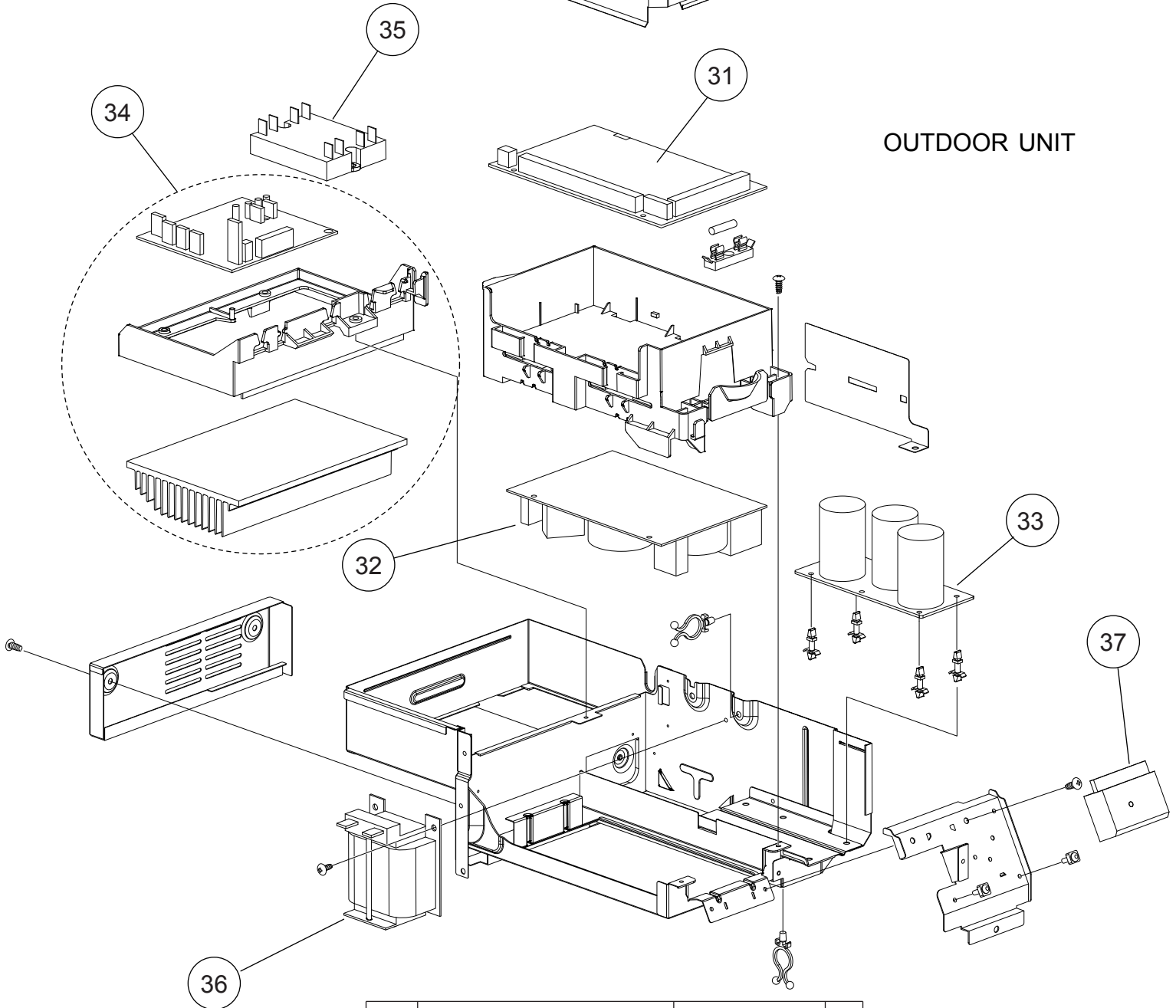
OUTDOOR UNIT



Ref	Description	Parts number
21	3-way Valve Assy	9315414014
22	2-way Valve Assy	9313062019
23	Condenser Sub Assy	9312069163
24	Compressor Assy	9315297068
25	Pulse Motor Valve Assy	9314494048
26	Expansion Valve Coil	9970095030
27	4-way Valve Assy	9315311061
28	Solenoid	9970055065
29	Pressure Switch	9900186012

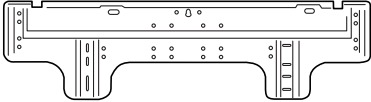



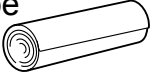
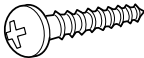

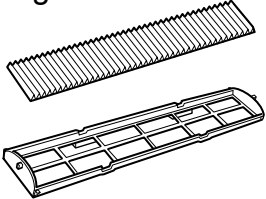
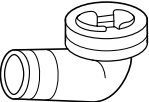


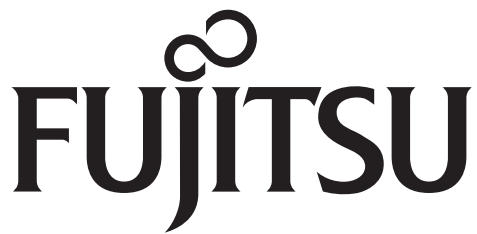
OUTDOOR UNIT



Ref	Description	Parts number
31	Controller PCB Assy	9707667608
32	Power Supply PCB Assy	9707128222
33	Capacitor PCB Assy	9707129113
34	TR PCB Assy	9708647098
35	ACTPM	9707592016
36	Chock Coil	9900223014
37	Terminal	9703874031
--	Thermistor Assy	9900594008
--	Outdoor Thermistor	9900544027
--	Compressor Thermistor	9900516024
--	Wire (Pressure Switch)	9708584010

ACCESSORIES

Name and Shape	Part number
Wall hook bracket 	9315023018
Remote control 	9379219037
Remote control holder 	9305642045
Battery (penlight) 	0600185541
Cloth tape 	9310519004
Tapping screw (big) 	0700076046
Tapping screw (small) 	0700019036
Air cleaning filter 	UTR-FA13-1 UTR-FA13-2
Drain assy 	9303029015



SPLIT TYPE
ROOM AIR CONDITIONER
WALL MOUNTED TYPE

SERVICE MANUAL



Indoor unit	Outdoor unit
ASYG30LFCA	AOYG30LFT

CONTENTS

SPECIFICATIONS.....	1
DIMENSIONS.....	2
REFRIGERANT SYSTEM DIAGRAM.....	3
CIRCUIT DIAGRAM.....	4
INDOOR PCB CIRCUIT DIAGRAM.....	5
OUTDOOR PCB CIRCUIT DIAGRAM.....	8
ERROR DETECTION.....	13
PARTS (INDOOR UNIT).....	14
PARTS (OUTDOOR UNIT).....	18
ACCESSORIES.....	22

SPECIFICATIONS

ELECTRICAL DATA

TYPE		Cool & heat inverter
INDOOR UNIT		ASYG30LFCA
OUTDOOR UNIT		AOYG30LFT
COOLING CAPACITY		8.00 kW
HEATING CAPACITY		8.80 kW
POWER SOURCE		230 V
FREQUENCY		50 Hz
RUNNING CURRENT	COOLING	10.9 A
	HEATING	10.7 A
INPUT WATTS	COOLING	2.49 kW
	HEATING	2.44 kW
E.E.R.	COOLING	3.21 kW/kW
COP	HEATING	3.61 kW/kW
MOISTURE REMOVAL		3.2 L/hr
AIR CIRCULATION HIGH		1,100 m ³ /hr
MAXIMUM CURRENT	COOLING	17.0 A
	HEATING	19.0 A

FAN MOTOR

POWER SOURCE		230 V
INDOOR UNIT (Cool)	High	1,430 r.p.m.
	Medium	1,220 r.p.m.
	Low	1,020 r.p.m.
	Quiet	900 r.p.m.
INDOOR UNIT (Heat)	High	1,530 r.p.m.
	Medium	1,220 r.p.m.
	Low	1,020 r.p.m.
	Quiet	900 r.p.m.
OUTDOOR UNIT (Cool)		850 r.p.m.
OUTDOOR UNIT (Heat)		850 r.p.m.

NOISE LEVEL

INDOOR UNIT (Cool)	High	48 dB
	Medium	42 dB
	Low	37 dB
	Quiet	33 dB
INDOOR UNIT (Heat)	High	49 dB
	Medium	42 dB
	Low	37 dB
	Quiet	33 dB
OUTDOOR UNIT (Cool)		53 dB
OUTDOOR UNIT (Heat)		55 dB

COMPRESSOR AND REFRIGERANT

TYPE	Hermetic type, 4 pole, Rotary, DC inverter motor	
DISCRIMINATION	N-TF30ND1A	
WEIGHT WITH OIL	15.5 kg	
PRECHARGED REFRIGERANT	2,100 g	
REFRIGERANT TYPE	R410A	
FULL CHARGE	Pipe length 20 m	2,100 g
	50 m	3,300 g
ADDITIONAL CHARGE	40 g/m	
MAXIMUM HEIGHT	30 m	

DIMENSIONS

INDOOR UNIT	H x W x D	320 x 998 x 238 mm
OUTDOOR UNIT	H x W x D	830 x 900 x 330 mm

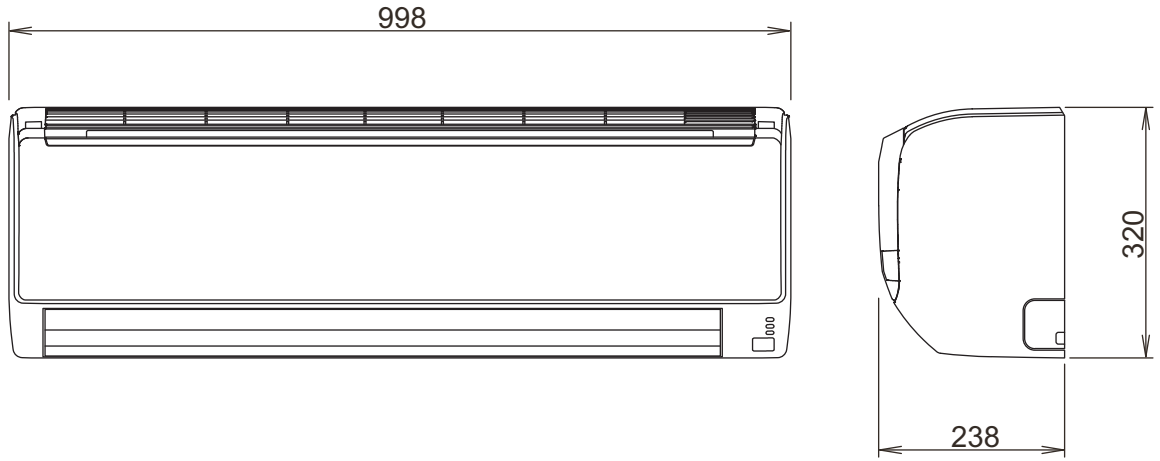
WEIGHT

INDOOR UNIT	Shipping / Net	18 kg / 14 kg
OUTDOOR UNIT	Shipping / Net	68 kg / 61 kg

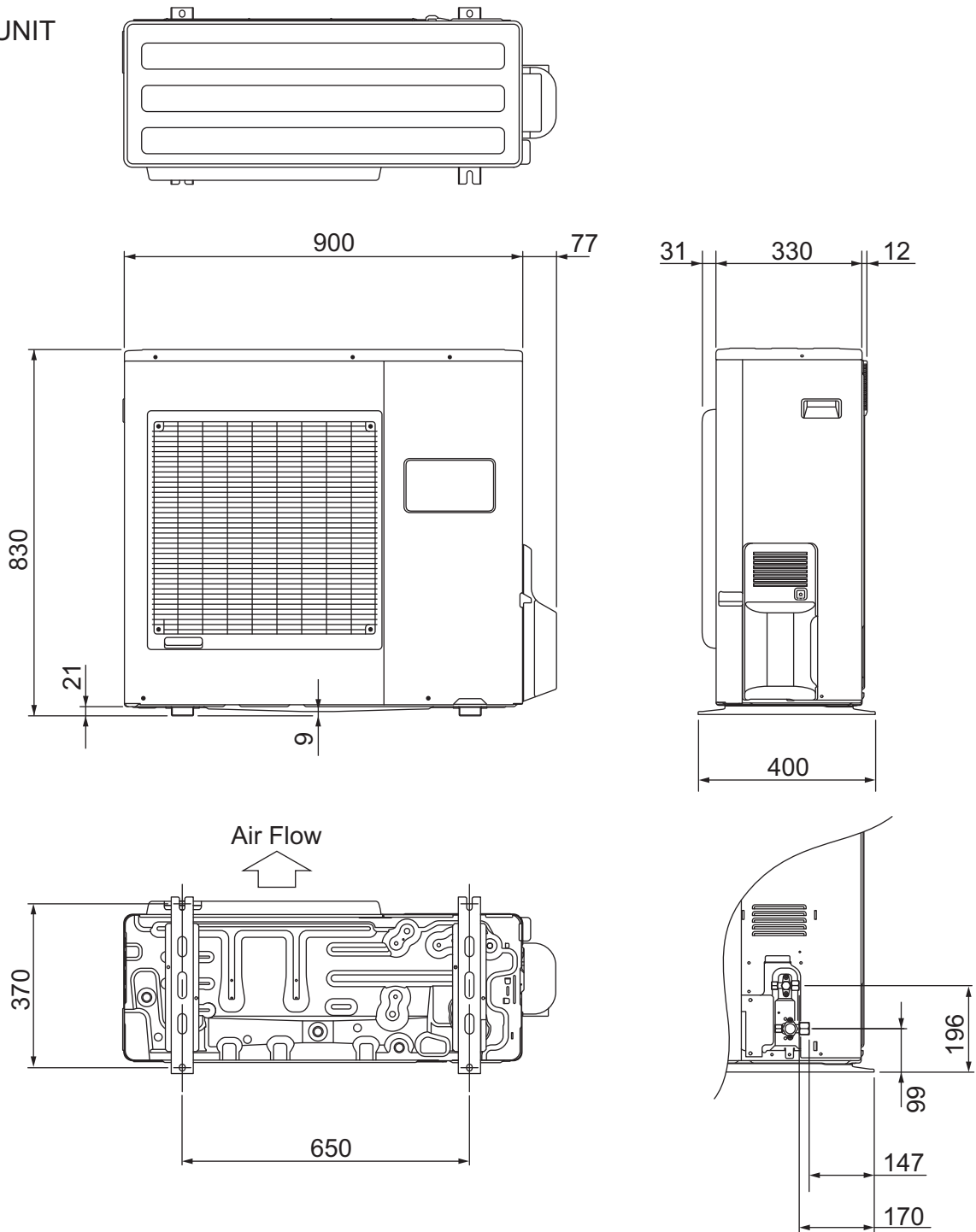
DIMENSIONS

(unit : mm)

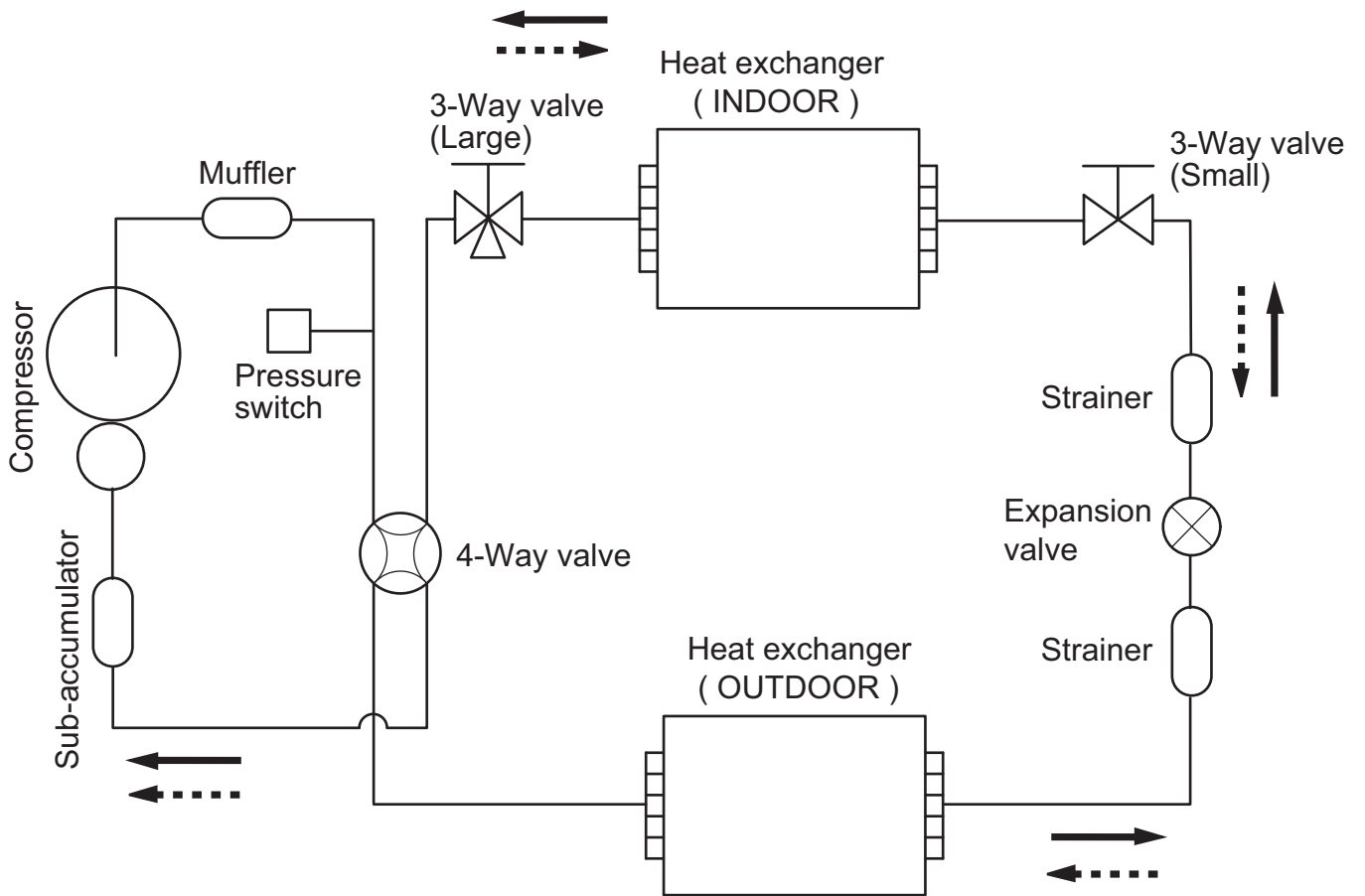
INDOOR UNIT



OUTDOOR UNIT



REFRIGERANT SYSTEM DIAGRAM

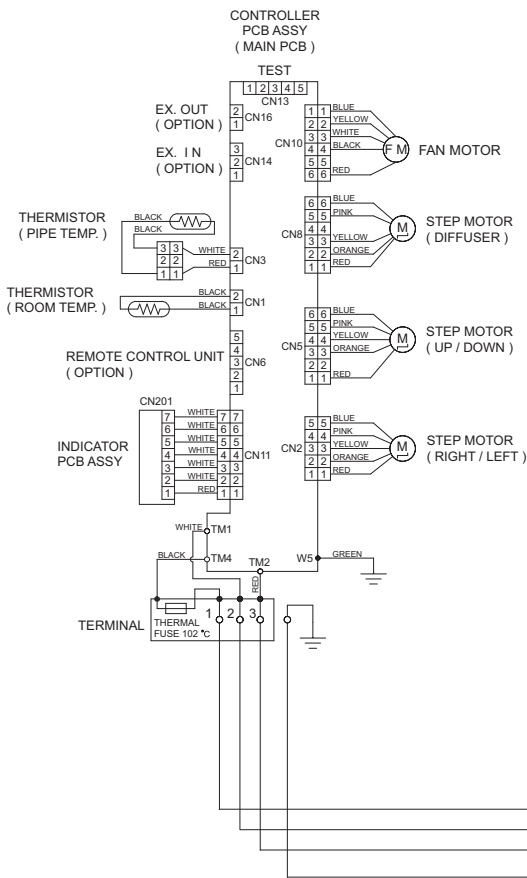


 Cooling
 Heating

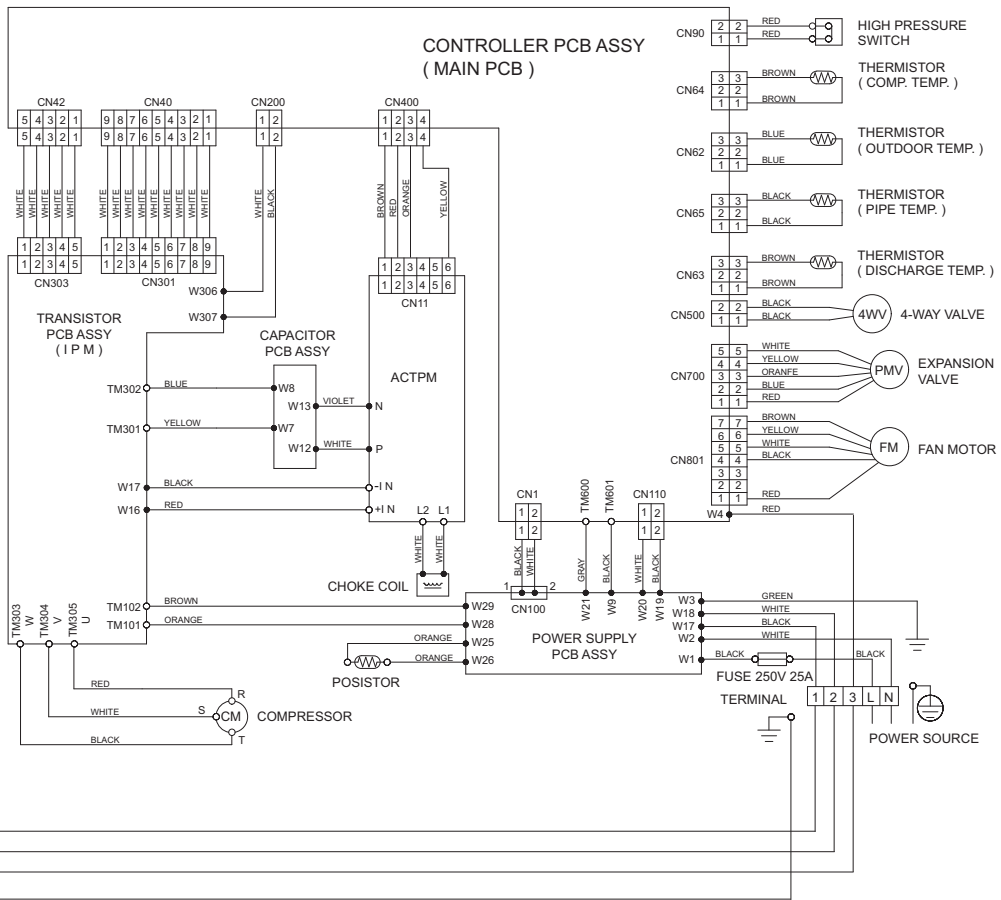
Refrigerant pipe diameter
 Liquid : 3/8" (9.52 mm)
 Gas : 5/8" (15.88 mm)

CIRCUIT DIAGRAM

INDOOR UNIT

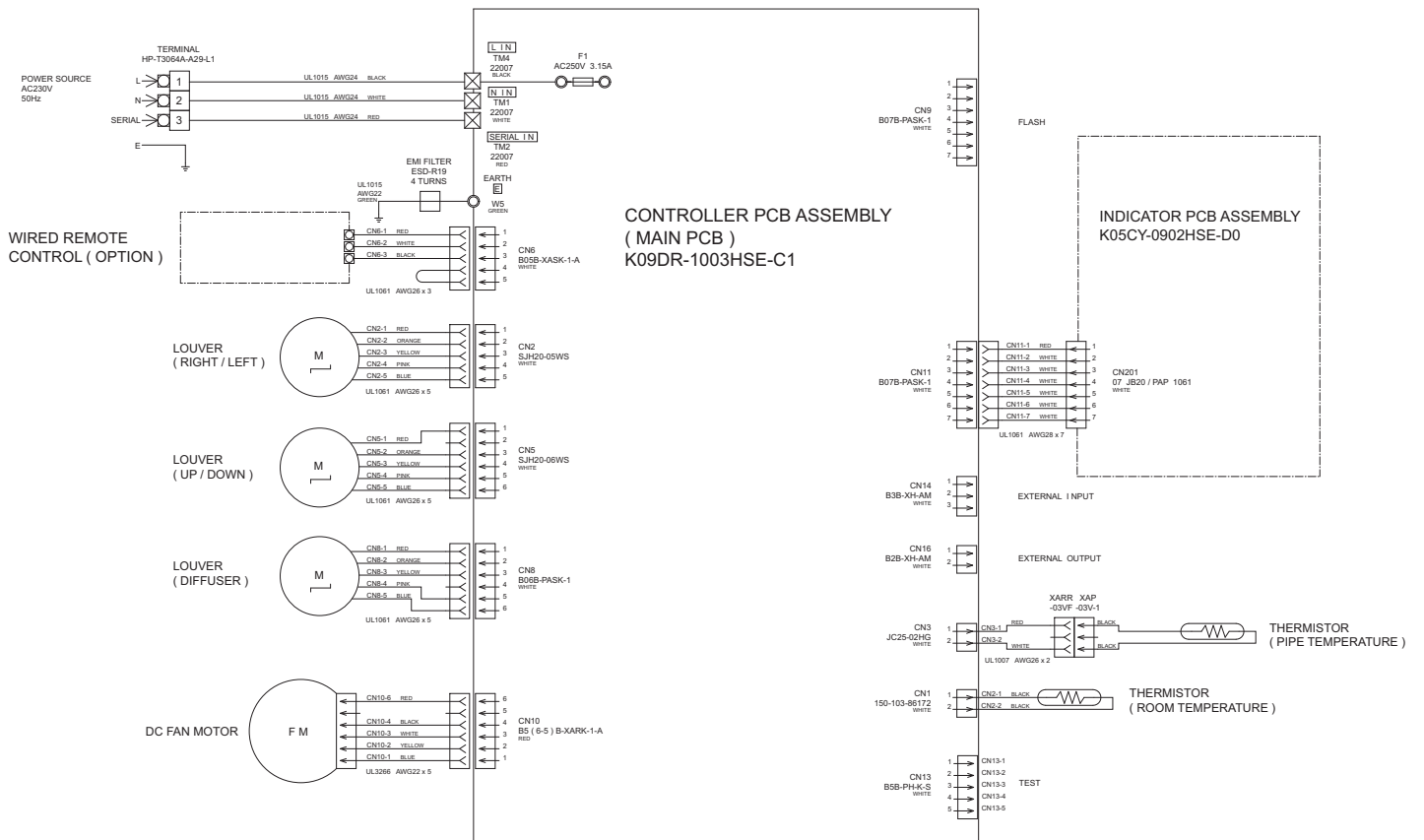


OUTDOOR UNIT

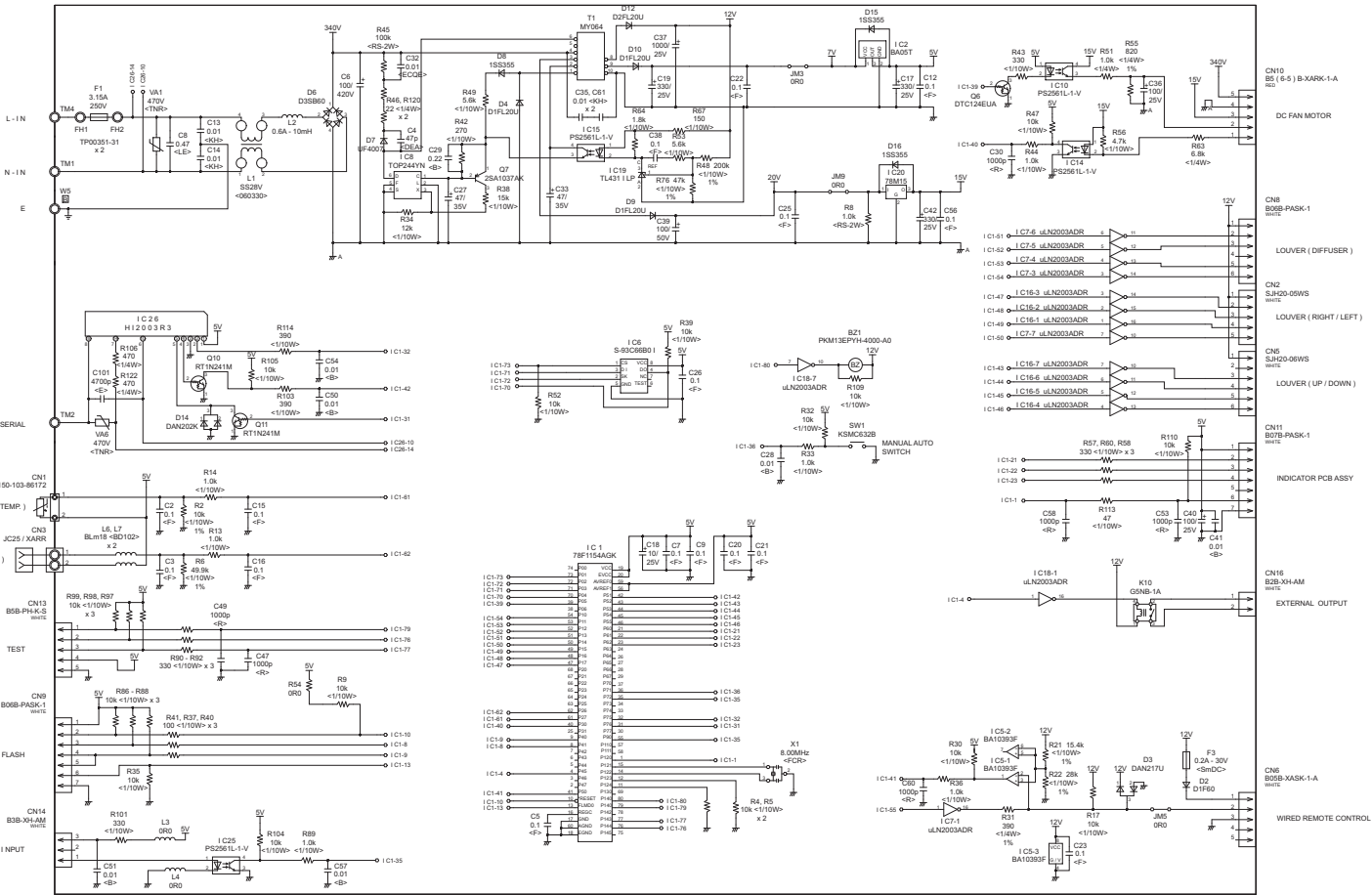


INDOOR PCB CIRCUIT DIAGRAM

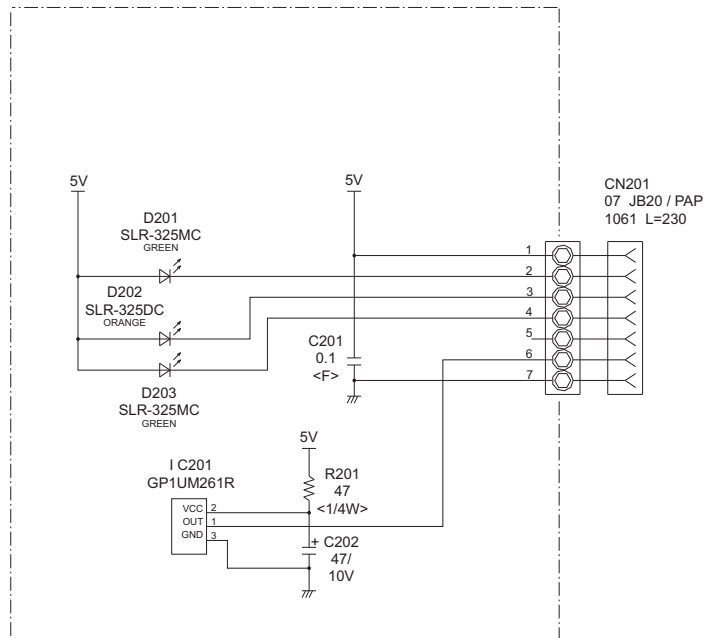
CONTRO UNIT
EZ-0101CHSE



INDOOR UNIT
 CONTROLLER PCB ASSEMBLY (MAIN PCB)
 K09DR-1003HSE-C1

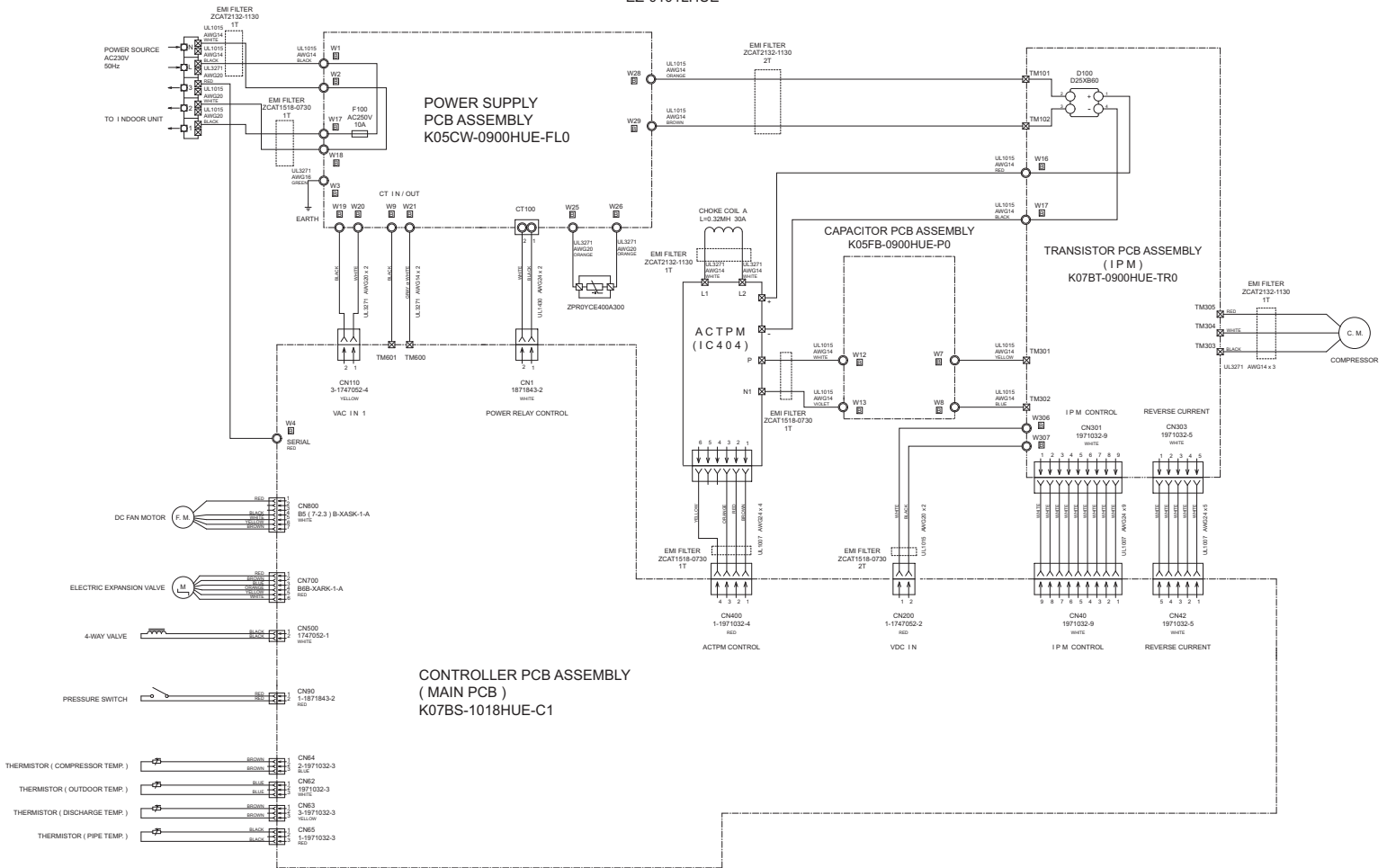


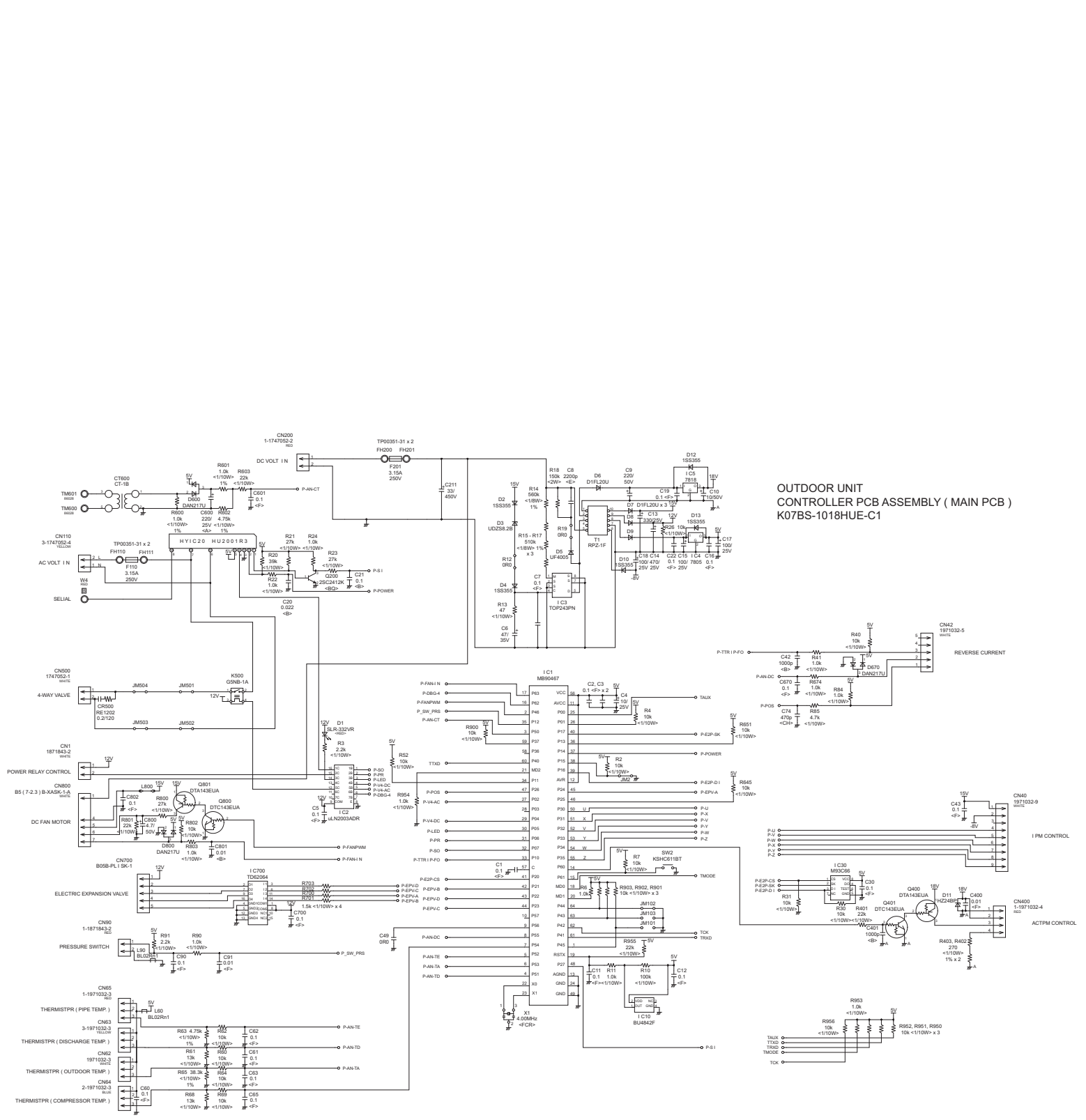
INDOOR UNIT
 INDICATOR PCB ASSEMBLY
 K05CY-0902HSE-D0



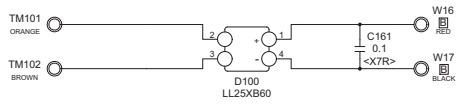
OUTDOOR PCB CIRCUIT DIAGRAM

INVERTER ASSEMBLY EZ-0101LHUE

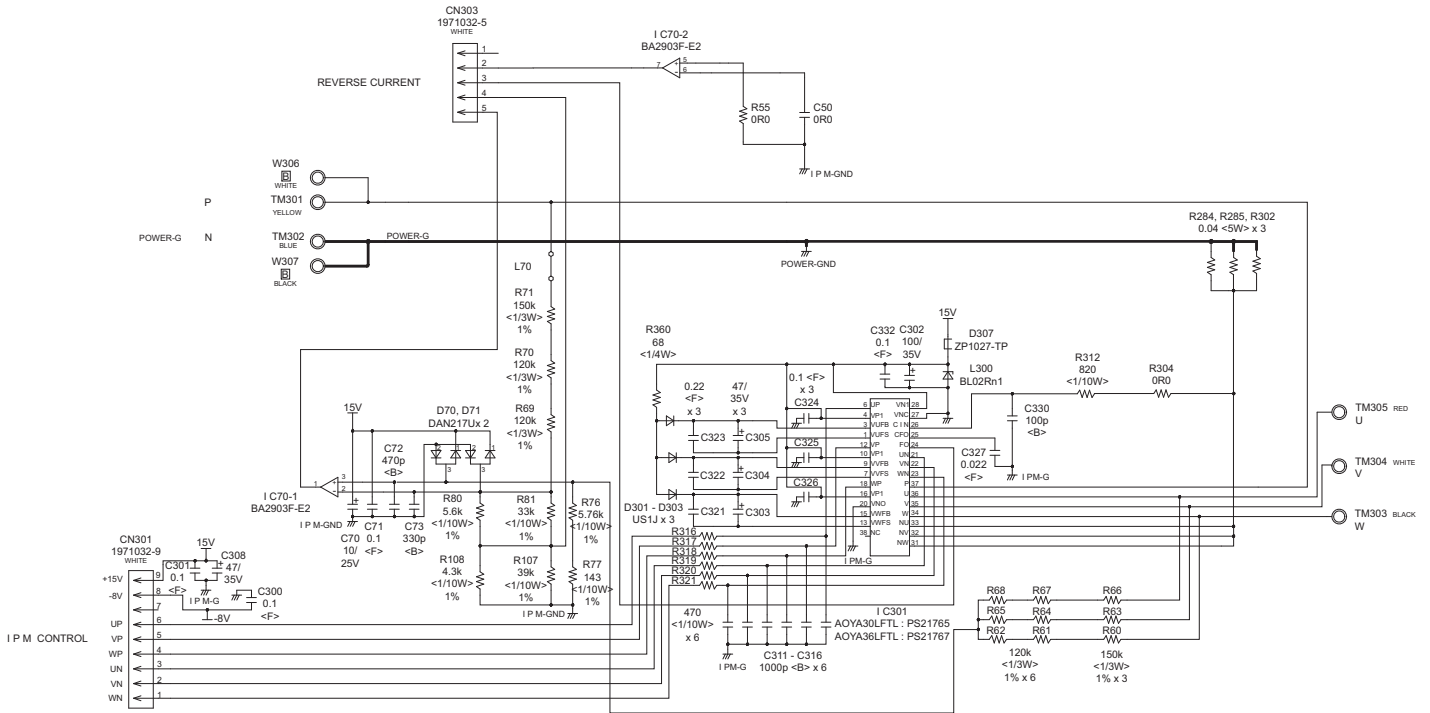




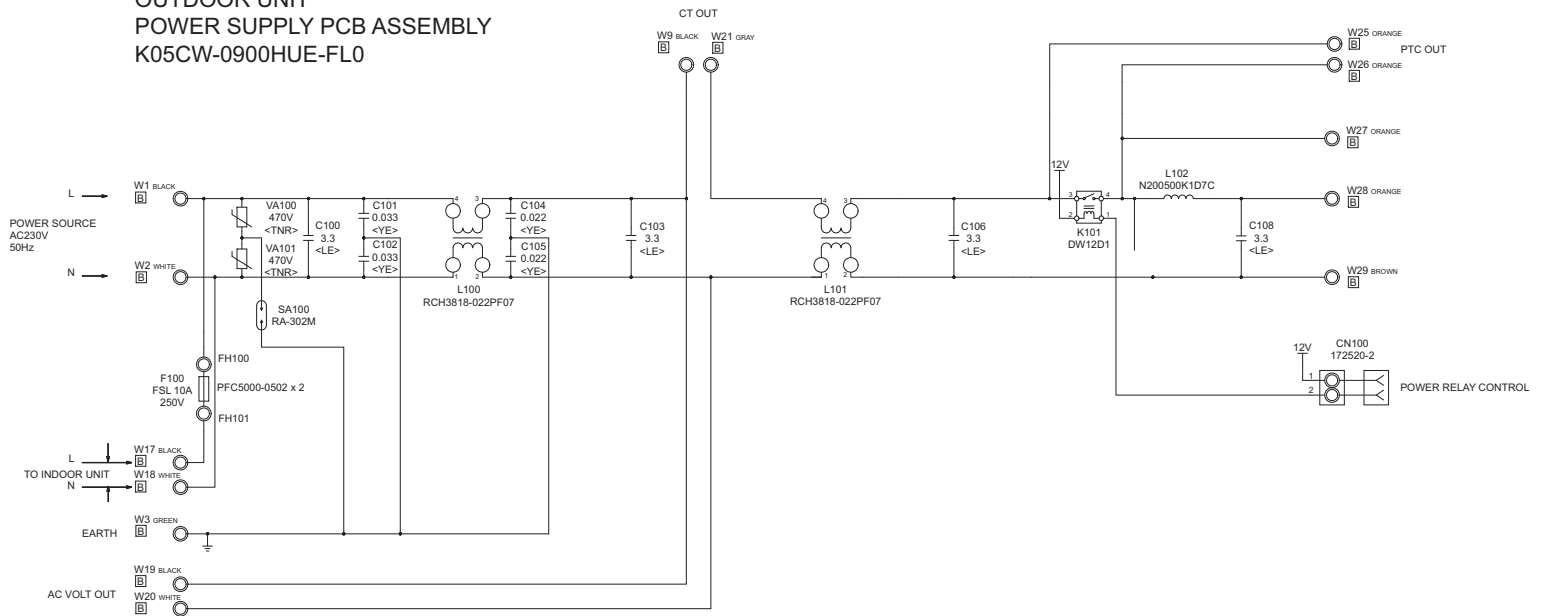
OUTDOOR UNIT
CONTROLLER PCB ASSEMBLY (MAIN PCB)
K07BS-1018HUE-C1



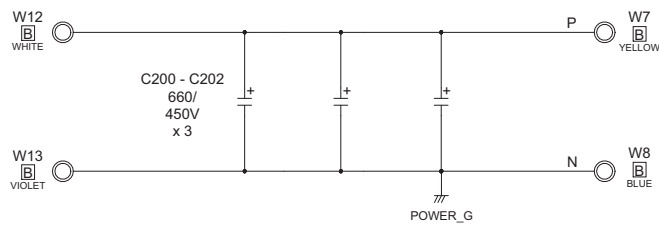
**OUTDOOR UNIT
TRANSISTOR PCB ASSEMBLY (I P M)
K07BT-0900HUE-TR0**



**OUTDOOR UNIT
POWER SUPPLY PCB ASSEMBLY
K05CW-0900HUE-FL0**



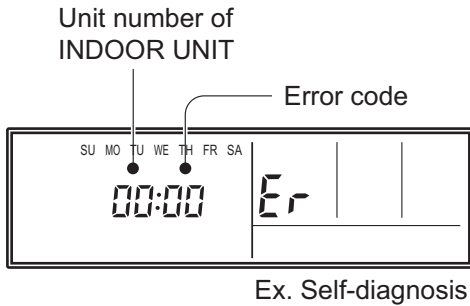
OUTDOOR UNIT
CAPACITOR PCB ASSEMBLY
K05FB-0900HUE-P0



ERROR DETECTION

INDOOR UNIT and REMOTE CONTROL

If an error occurs, the following display will be shown.
("Er" will appear in the set room temperature display.)

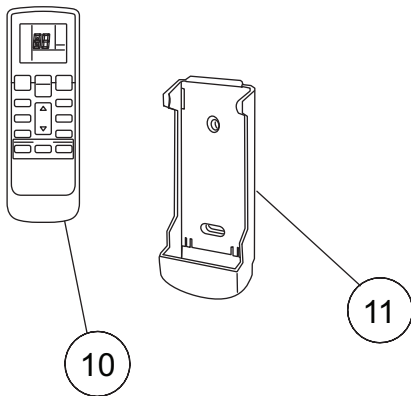
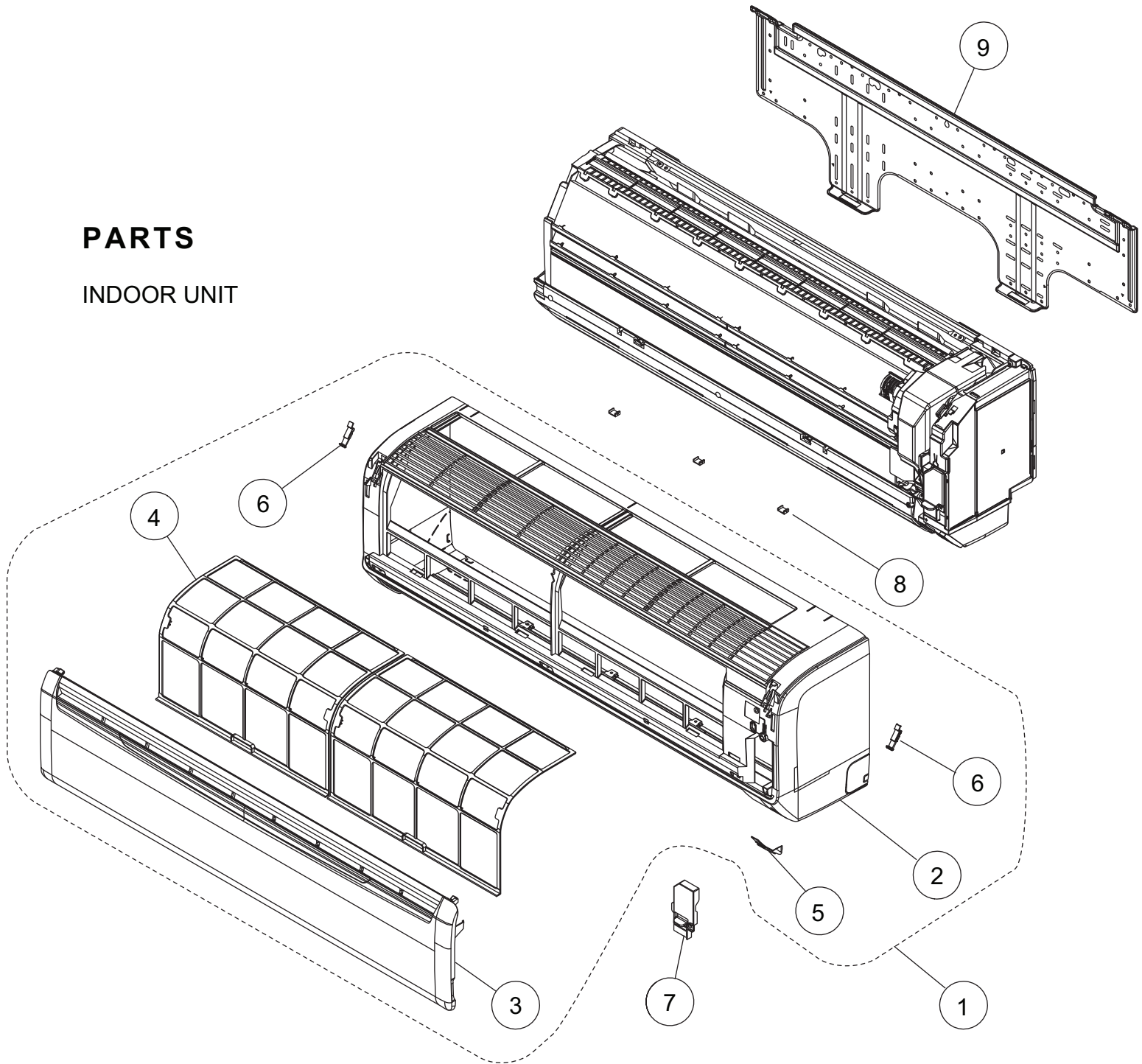


- : 0.5s ON / 0.5s OFF
- ◇ : 0.1s ON / 0.1s OFF
- () : Number of flashing

Indoor unit			Wired remote control	Mode	DESCRIPTION
OPERATION lamp (green)	TIMER lamp (orange)	ECO lamp (green)			
● (1)	● (1)	◇	11	Communication	Serial communication error
● (1)	● (2)	◇	12	Communication	Wired remote control communication error
● (2)	● (2)	◇	22	System	Indoor unit capacity error
● (3)	● (1)	◇	31	Indoor unit	Power supply interruption error
● (3)	● (5)	◇	35	Indoor unit	Manual auto switch error
● (3)	● (9)	◇	39	Indoor unit	fan motor driving circuit error
● (4)	● (1)	◇	41	Indoor unit	Inlet air temp. sensor error
● (4)	● (2)	◇	42	Indoor unit	Indoor Heat Ex. Middle Temp. Sensor error
● (5)	● (1)	◇	51	Indoor unit	Indoor unit fan motor1 error
● (5)	● (3)	◇	53	Indoor unit	Drainage error
● (5)	● (9)	◇	59	Indoor unit	Indoor unit fan motor2 error
● (5)	● (15)	◇	5U	Indoor unit	Indoor unit error
● (6)	● (2)	◇	62	Outdoor unit	Outdoor unit model information error
● (6)	● (3)	◇	63	Outdoor unit	Inverter error
● (6)	● (5)	◇	65	Outdoor unit	I.P.M. error
● (7)	● (1)	◇	71	Outdoor unit	Discharge temp. sensor error
● (7)	● (2)	◇	72	Outdoor unit	Compressor temp. sensor error
● (7)	● (3)	◇	73	Outdoor unit	Heat Ex. centre temp. sensor error Heat Ex. Liquid outlet temp. sensor error
● (7)	● (4)	◇	74	Outdoor unit	Outdoor temp. sensor error
● (7)	● (7)	◇	77	Outdoor unit	Heat sink temp. sensor error
● (8)	● (4)	◇	84	Outdoor unit	Current sensor error
● (8)	● (6)	◇	86	Outdoor unit	Pressure sensor error High pressure switch error
● (9)	● (4)	◇	94	Outdoor unit	Over current error
● (9)	● (5)	◇	95	Outdoor unit	Compressor control error
● (9)	● (7)	◇	97	Outdoor unit	Outdoor unit fan motor 1 error
● (9)	● (8)	◇	98	Outdoor unit	Outdoor unit fan motor 2 error
● (9)	● (9)	◇	99	Outdoor unit	4-way valve error
● (10)	● (1)	◇	A1	Refrigerant system	Discharge temp. error
● (10)	● (3)	◇	A3	Refrigerant system	Compressor temp. error
● (10)	● (5)	◇	A5	Refrigerant system	Low pressure error

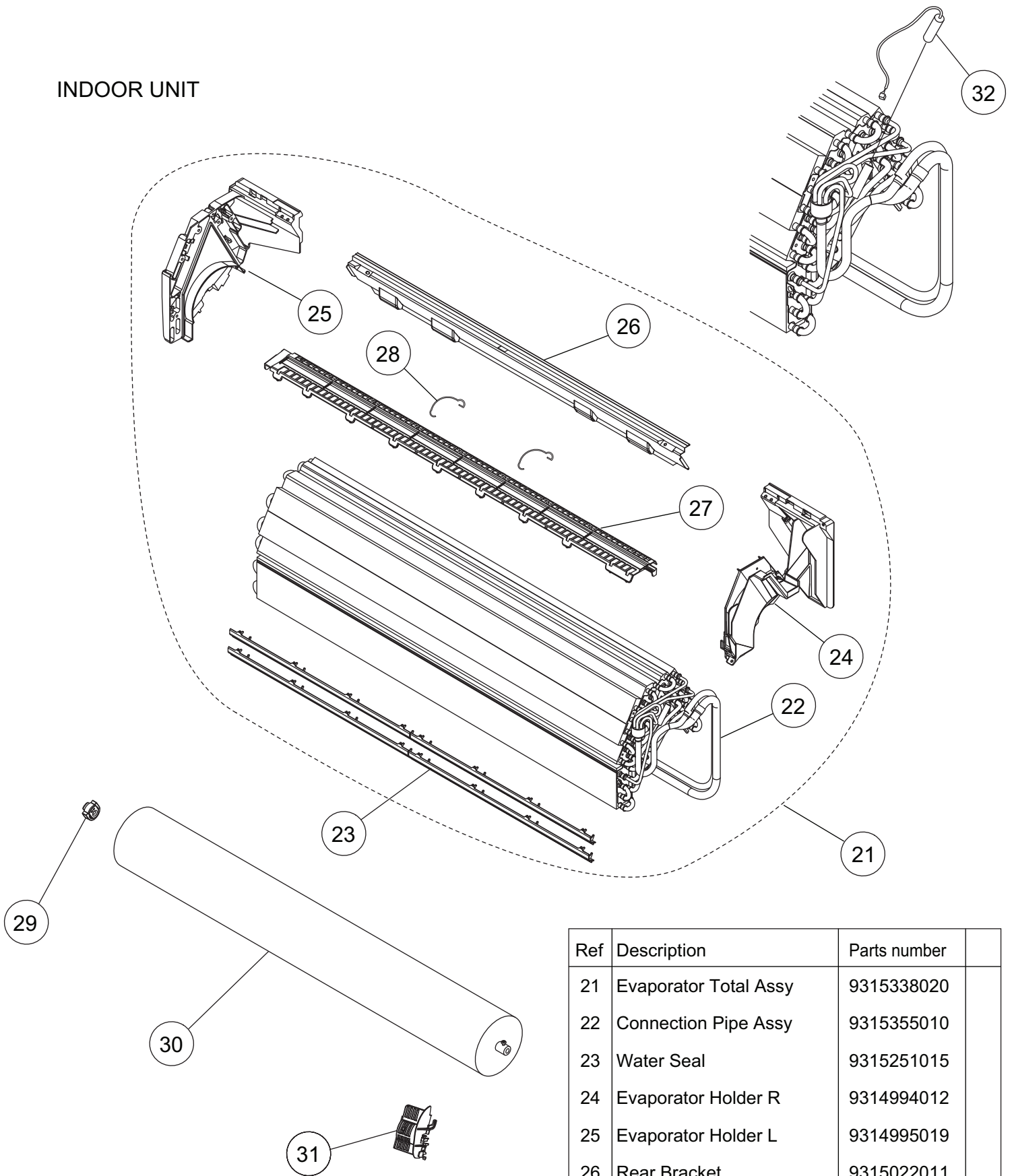
PARTS

INDOOR UNIT



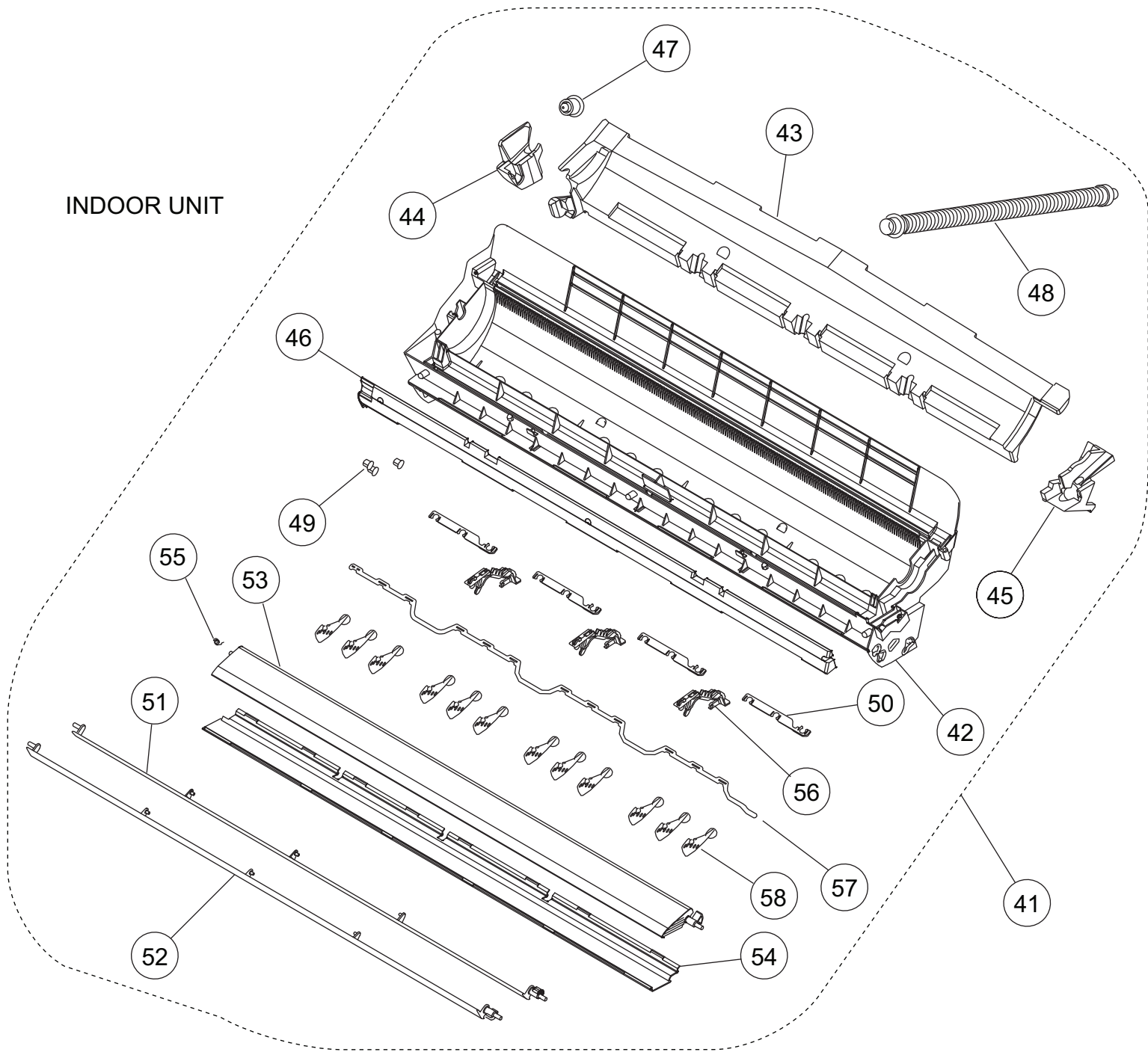
Ref	Description	Parts number
1	Front Panel Total Assy	9318738001
2	Front Panel	9314991080
3	Intake Grille Assy	9385985049
4	Air Filter	9315014016
5	Receiver Window	9315010018
6	Clamber Grille	9306755010
7	Wire Clamber	9315015013
8	Cap (Screw)	9309002050
9	Bracket Panel	9315023018
10	Remote Control	9379219037
11	Remote Control Holder	9305642045
--	Air Clean Filter Assy	9315212016

INDOOR UNIT



Ref	Description	Parts number
21	Evaporator Total Assy	9315338020
22	Connection Pipe Assy	9315355010
23	Water Seal	9315251015
24	Evaporator Holder R	9314994012
25	Evaporator Holder L	9314995019
26	Rear Bracket	9315022011
27	Filter Guide	9315013019
28	Filter Guard	9315411013
29	Bearing C Assy	9306628017
30	Crossflow Fan Assy	9315024015
31	Holder (Room Thermistor)	9315252012
32	Pipe Thermistor	9900551018

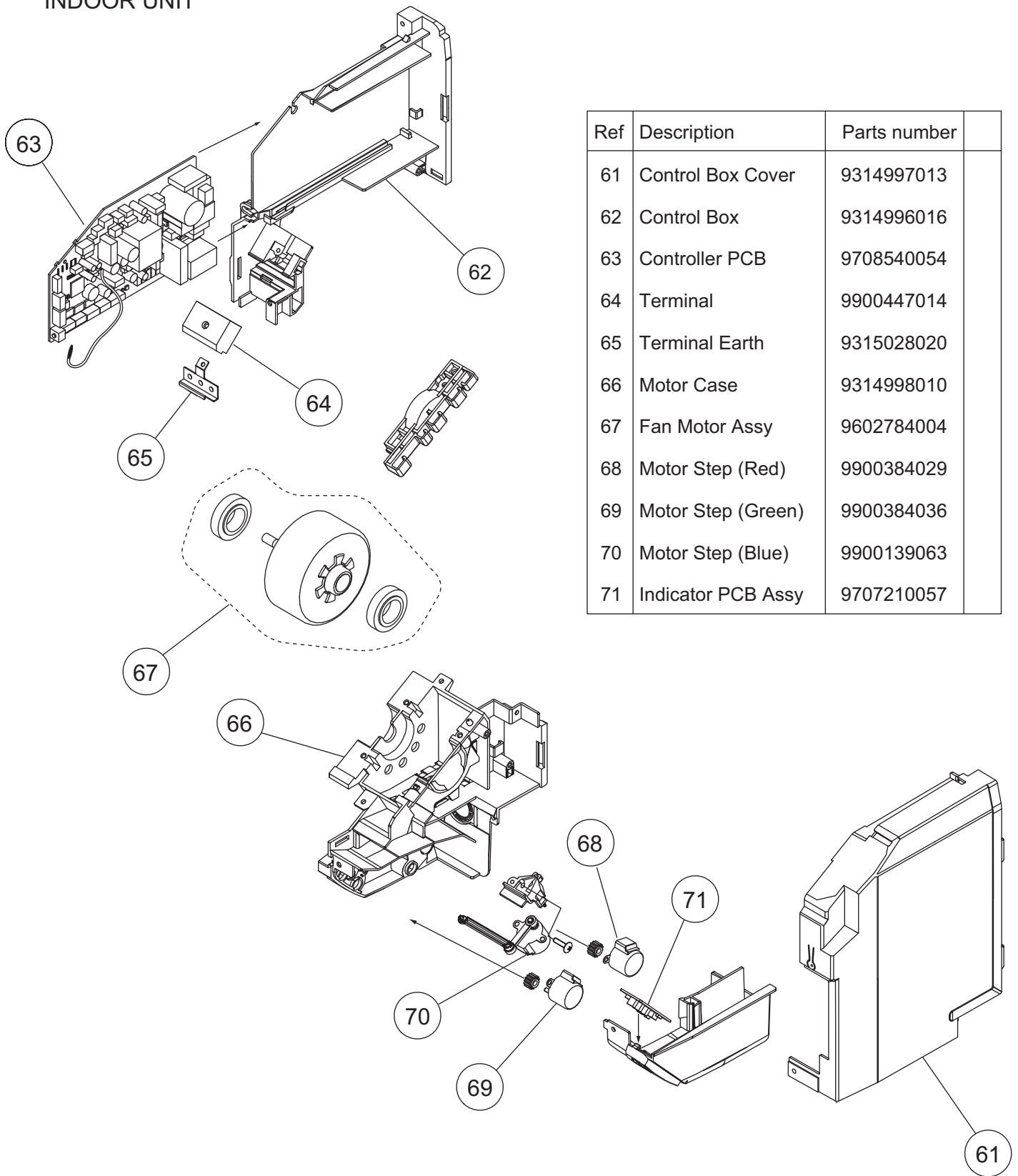
INDOOR UNIT



Ref	Description	Parts number
41	Casing Assy	9315331045
42	Casing	9314993015
43	Casing Cover B	9315016010
44	Casing Cover L	9315017017
45	Casing Cover R	9315018014
46	Casing Cover F	9315019011
47	Drain Cap	9367677009
48	Drain Hose Assy	9315769015
49	Bush B	9312156016
50	Spacer B	9312441013

Ref	Description	Parts number
51	Louver U	9315000019
52	Louver Z	9315001016
53	Diffuser U	9315002013
54	Diffuser Z	9315003010
55	Spring C	9314142017
56	Piller A	9315009012
57	Joint B	9315006011
58	R and L Louver	9311997016
-	Fan Guard	9305751051
-	Fan Guard Holder Right	9315814012
-	Fan Guard Holder Left	9315815019

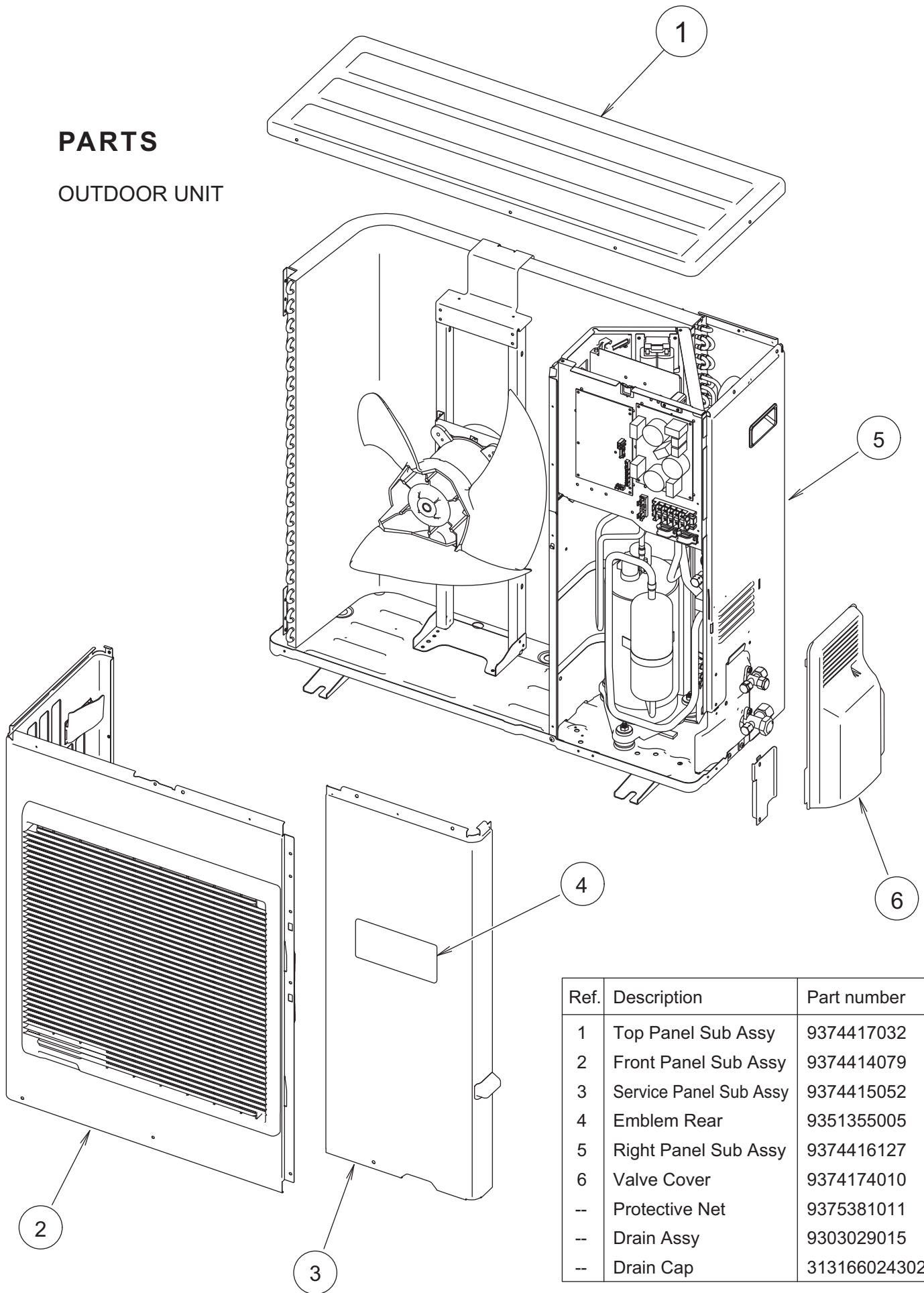
INDOOR UNIT



Ref	Description	Parts number
61	Control Box Cover	9314997013
62	Control Box	9314996016
63	Controller PCB	9708540054
64	Terminal	9900447014
65	Terminal Earth	9315028020
66	Motor Case	9314998010
67	Fan Motor Assy	9602784004
68	Motor Step (Red)	9900384029
69	Motor Step (Green)	9900384036
70	Motor Step (Blue)	9900139063
71	Indicator PCB Assy	9707210057

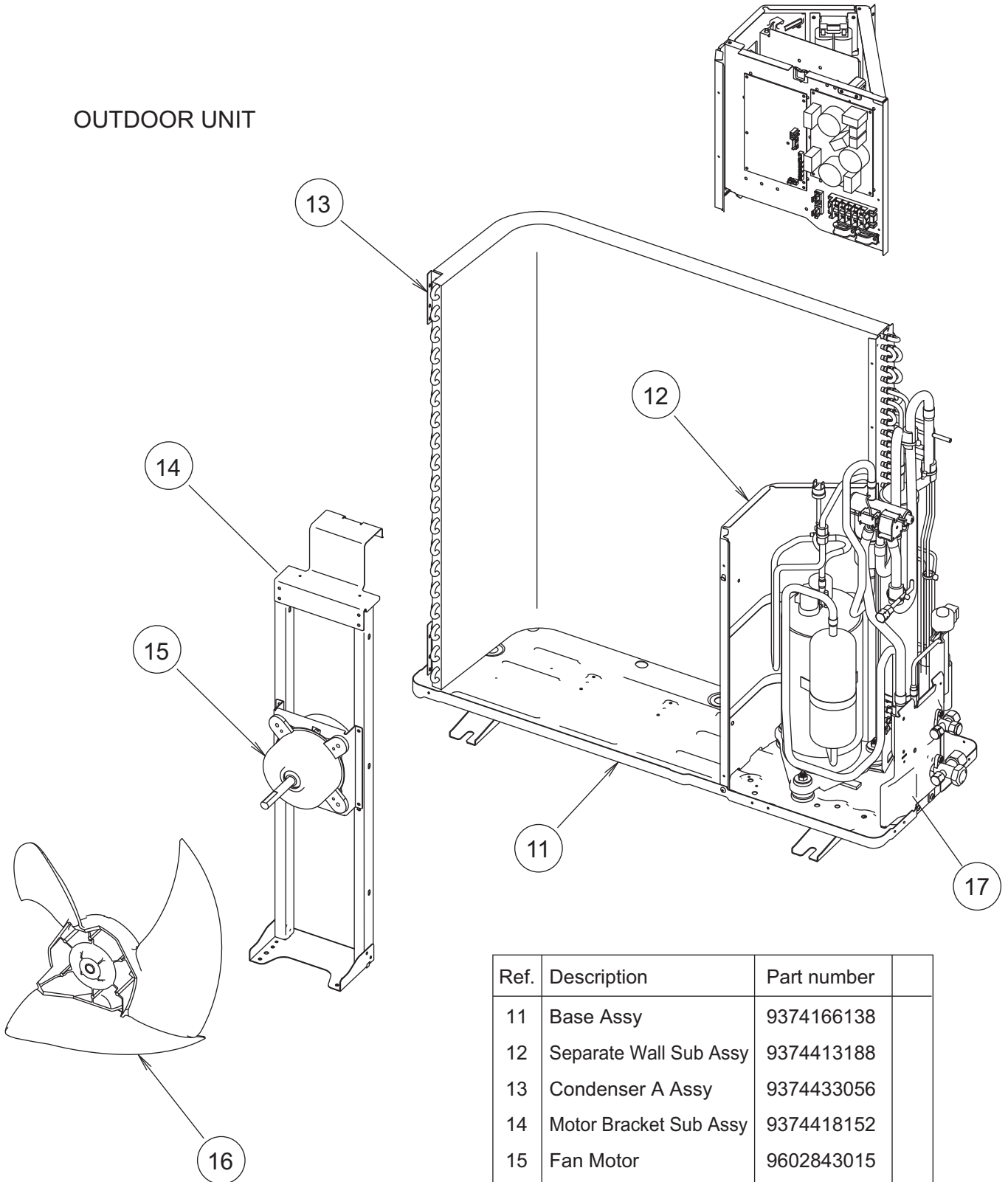
PARTS

OUTDOOR UNIT



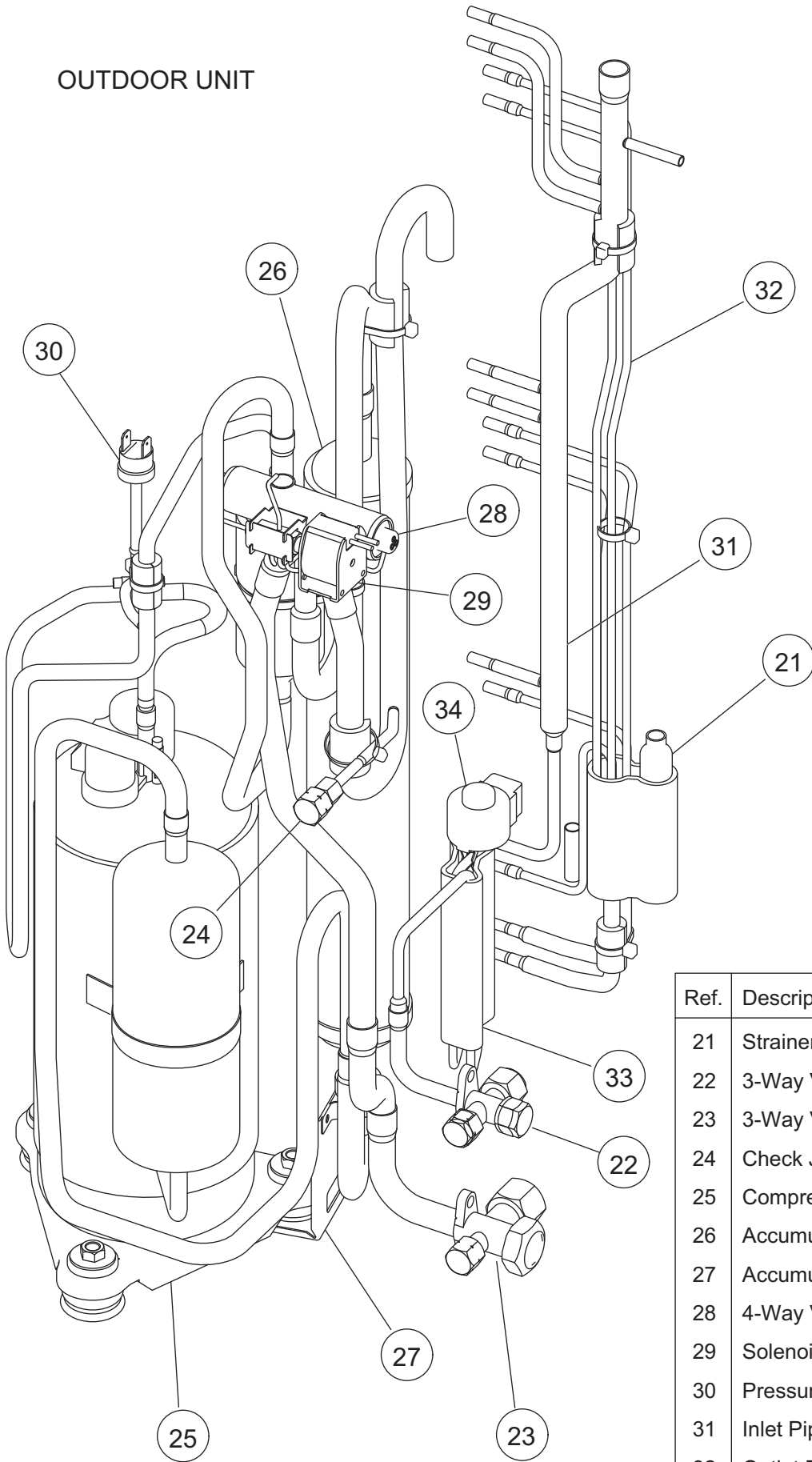
Ref.	Description	Part number
1	Top Panel Sub Assy	9374417032
2	Front Panel Sub Assy	9374414079
3	Service Panel Sub Assy	9374415052
4	Emblem Rear	9351355005
5	Right Panel Sub Assy	9374416127
6	Valve Cover	9374174010
--	Protective Net	9375381011
--	Drain Assy	9303029015
--	Drain Cap	313166024302

OUTDOOR UNIT



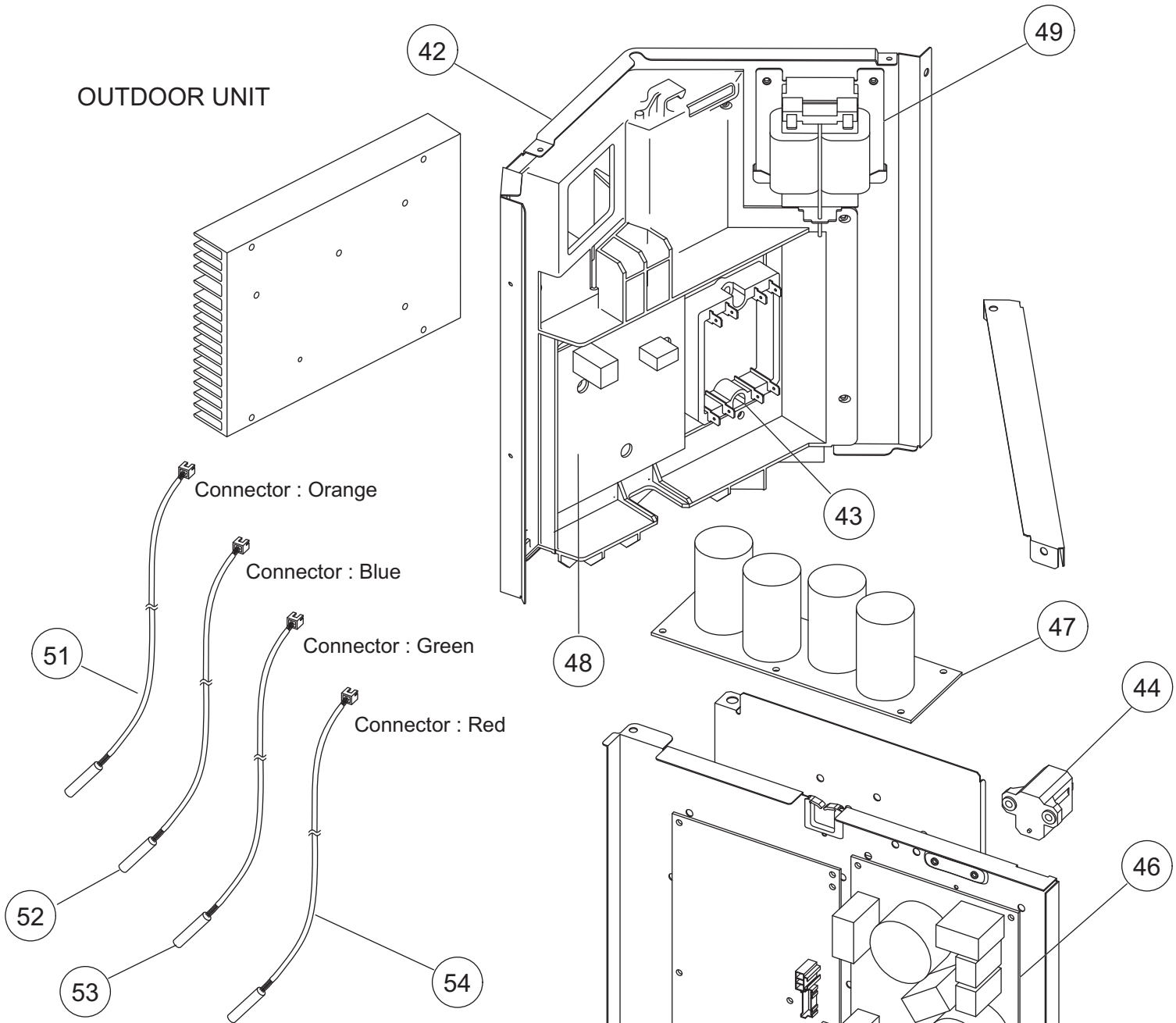
Ref.	Description	Part number
11	Base Assy	9374166138
12	Separate Wall Sub Assy	9374413188
13	Condenser A Assy	9374433056
14	Motor Bracket Sub Assy	9374418152
15	Fan Motor	9602843015
16	Propeller Fan Assy	9366378020
17	Valve Plate	9374099030
--	Compressor Cover A	9378851177
--	Compressor Cover B	9378851016
--	Compressor Cover C	9378851023

OUTDOOR UNIT



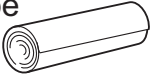
Ref.	Description	Part number
21	Strainer Assy	9372524015
22	3-Way Valve Sub Assy	9377958013
23	3-Way Valve Assy	9377959010
24	Check Joint Assy	9372802038
25	Compressor	9810135001
26	Accumulator	9385005006
27	Accumulator Support Assy	9355351003
28	4-Way Valve	9900164010
29	Solenoid	9970055034
30	Pressure Switch	9900186012
31	Inlet Pipe (Cond) A Assy	9373461067
32	Outlet Pipe (Cond) A Assy	9374266104
33	Expansion Valve Assy	9370947144
34	Expansion Valve Coil	9970095030
--	Muffler	9372369050

OUTDOOR UNIT



Ref.	Description	Part number
41	PCB Case Assy	9375316020
42	Inverter Case	9375314019
43	ACTPM	9707592016
44	Thermistor	9704265012
45	Controller PCB Assy	9707667615
46	Power Supply PCB Assy	9707128208
47	Capacitor PCB Assy	9707257045
48	Transistor PCB Assy	9707669060
49	Choke Coil	9900223014
50	Terminal	9900203023
51	Discharge Thermistor	9900461003
52	Outdoor Thermistor	9900463007
53	Compressor Thermistor	9900466015
54	Heat Exchanger Thermistor	9900462000

ACCESSORIES

Name and Shape	Part number
Wall hook bracket 	9315023018
Remote control 	9379219037
Remote control holder 	9305642045
Battery (penlight) 	0600185541
Cloth tape 	9310519004
Tapping screw (big) 	0700076046
Tapping screw (small) 	0700019036
Air cleaning filter 	UTR-FA13-1 UTR-FA13-2
Drain assy 	9303029015
Drain cap 	313166024302