

# Product description

| Pos.no   | Qty.       | Description   |                   |                   |
|----------|------------|---|-------------------|-------------------|
| <b>1</b> | <b>0,4</b> |   |                   |                   |
| 1.1      | 1          | <p>Centrifugal pump: L2P-65-125Ø 126</p> <p><b>CENTRIFUGAL IN-LINE ELECTRIC PUMPS WITH VERTICAL AXIS</b><br/>2900 1/min<br/>L2P-65-125Ø 126</p> <p><b>DESCRIPTION</b><br/>Centrifugal electric pump with in-line inlet and outlet for hot and cold water circulation<br/>Pumps and motors according to Directive 2009/125/CE (ErP).</p> <p><b>USES</b><br/>Suitable for installation in civil and industrial plants for heating, cooling, hot water, for sanitary purpose, pressure and other civil and industrial applications.<br/>MEI index according to EU Regulation 547/2012<br/>MEI &gt; 0,4</p> <p><b>CONSTRUCTIVE CHARACTERISTICS</b><br/>Electric enbloc pump. The motor unit and the rotating part of the pump can be taken away without removing the pump body from the piping system<br/>Hydraulics: pump body with inlet and outlet, dynamically balanced closed impeller and with balance holes for the balancing of the axial thrust. Shaft completely in stainless steel</p> <p><b>IMPELLER</b><br/>Impeller material: Cast iron EN-GJL-250<br/>Impeller diameter: 126 mm<br/>Shaft material: Stainless steel AISI 431 (1.4057)</p> <p><b>FLANGES</b><br/>TYPE: UNI EN 1092-2<br/>- Outlet: DN 65<br/>- Suction: DN 65<br/>Flanges (UNI EN 1092-2): PN16<br/>Center distance between flanges : 360 mm</p> <p><b>MOTOR</b><br/>Type: SAER MT2 - IE3 - 100-2P-4 , made in Italy<br/>Nominal power: 3 kW<br/>Voltage / Frequency / N. phases: 400 V / 50 Hz / 3~<br/>Poles: 2<br/>Motor efficiency: 87.7 %<br/>Efficiency class according to IEC 60034-30: IE3<br/>Insulation class: F<br/>Protection: IP 55</p> <p><b>COATING</b><br/>Two-component epoxy coating suitable for contact with drinking water.<br/>Resistance to the corrosion corresponding to the cycle C3 durability medium according to EN12944-6 (on request cycle C5 durability medium)</p> <p><b>REQUESTED DATA</b><br/>Q=<br/>H=</p> <p><b>CHARACTERISTIC DATA AT 2900 1/min</b><br/>Q= - Qmax=57.77 m³/h<br/>H=<br/>Power requested at the duty point P2=<br/>Max power requested along the curve P2max=3.015 kW<br/>Temperature of the pump liquid : from -15°C to +140°C<br/>Maximum working pressure (maximum pressure allowable considering the sum of the maximum pressure in suction and of the head at shut off):<br/>PN 16 (for water temperature max 120°C)<br/>Max environment temperature: 40°C (for higher temperature, please, verify).</p> <p><b>INSTALLATION AND OPERATION CHARACTERISTICS</b><br/>L series pumps can be positioned with vertical or horizontal axis.<br/>Contact technical assistance for further information). The working features of this technical data sheet, the catalog and the plate are intended for continuous service and clean water (specific weight = 1000 kg/m³, kinematic viscosity= 1 mm²/s, temperature = 20°C )</p> <p><b>ACCESSORIES ON REQUEST</b><br/>Kit counterflanges</p> <p><b>PERFORMANCE TOLERANCES</b><br/>Pumps: UNI EN ISO 9906: 2012- Grade 3B, other levels on request.<br/>Motors: IEC 60034-1</p> |                   |                   |
|          |            |   | ISSUE_DATE        | LAST_MODI_DATE    |
|          |            |   | <b>2024-11-20</b> | <b>2024-11-20</b> |



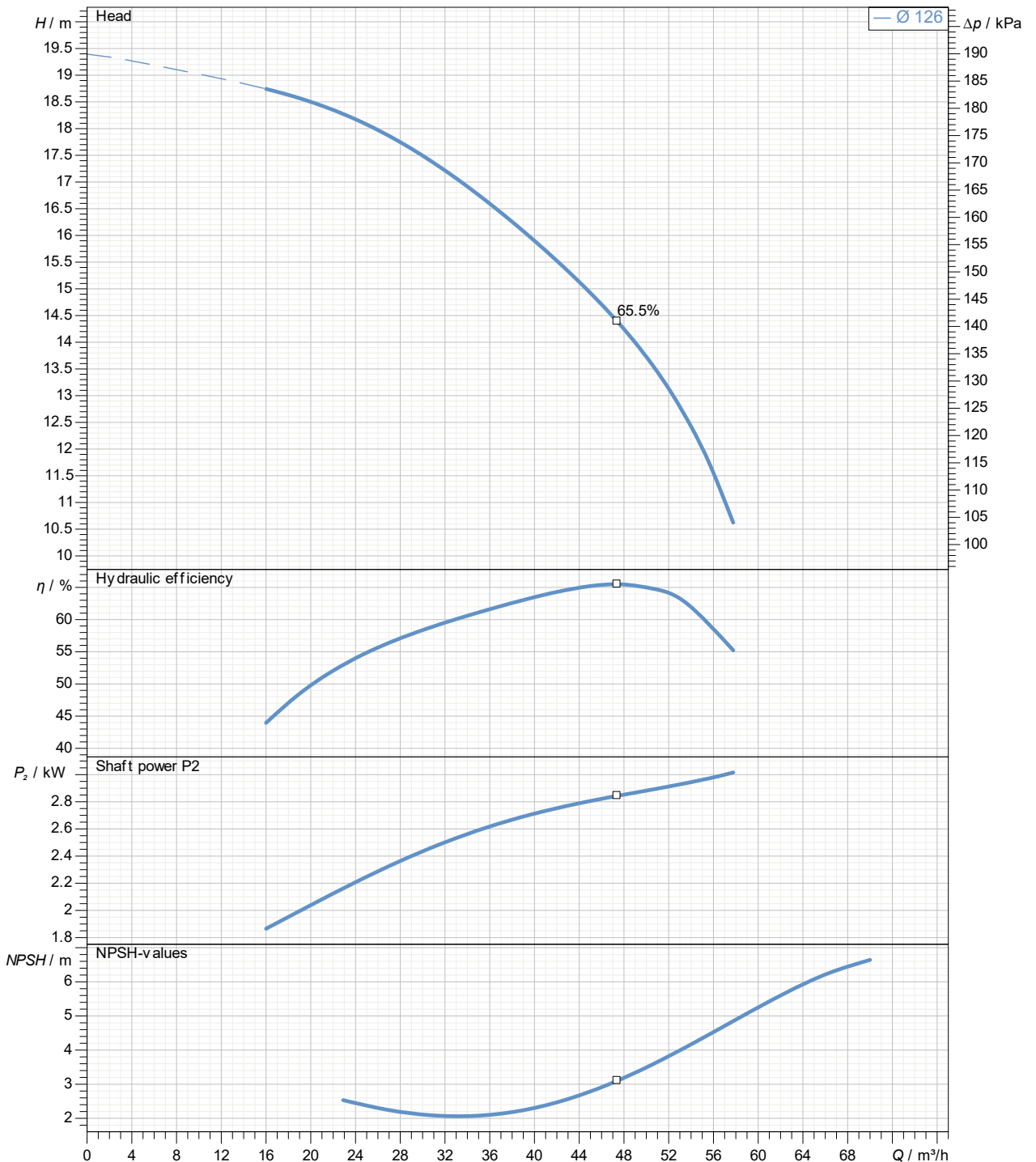
# Performance curves

## L2P-65-125Ø 126

|                              |  |      |      |               |        |               |                |                       |               |                              |       |
|------------------------------|--|------|------|---------------|--------|---------------|----------------|-----------------------|---------------|------------------------------|-------|
| Operating area               |  | Flow |      |               | Head   |               |                | Impeller type         |               | Radial impeller              |       |
| Operating data specification |  | m³/h |      |               | m      |               |                | Impeller construction |               | Closed                       |       |
| Pump data                    |  | m³/h |      |               | m      |               |                | Sense of rotation     |               | Clockwise from the drive end |       |
|                              |  | m³/h |      |               | m      |               |                | Outlet width          |               | DN65                         |       |
|                              |  | Flow |      |               | Head   |               | Shaft power P2 |                       |               | Speed                        |       |
|                              |  | Min. | Max  | $\eta$<br>Max | H(Q=0) | $\eta$<br>Max | P2(Q=0)        | Max                   | $\eta$<br>Max | 1/min                        | 2900  |
|                              |  | m³/h | m³/h | m³/h          | m      | m             | kW             | kW                    | kW            | Hz                           | 50 Hz |
|                              |  | 16   | 57.8 | 47.4          | 19.4   | 14.4          | 1.87           | 3.02                  | 2.84          |                              |       |

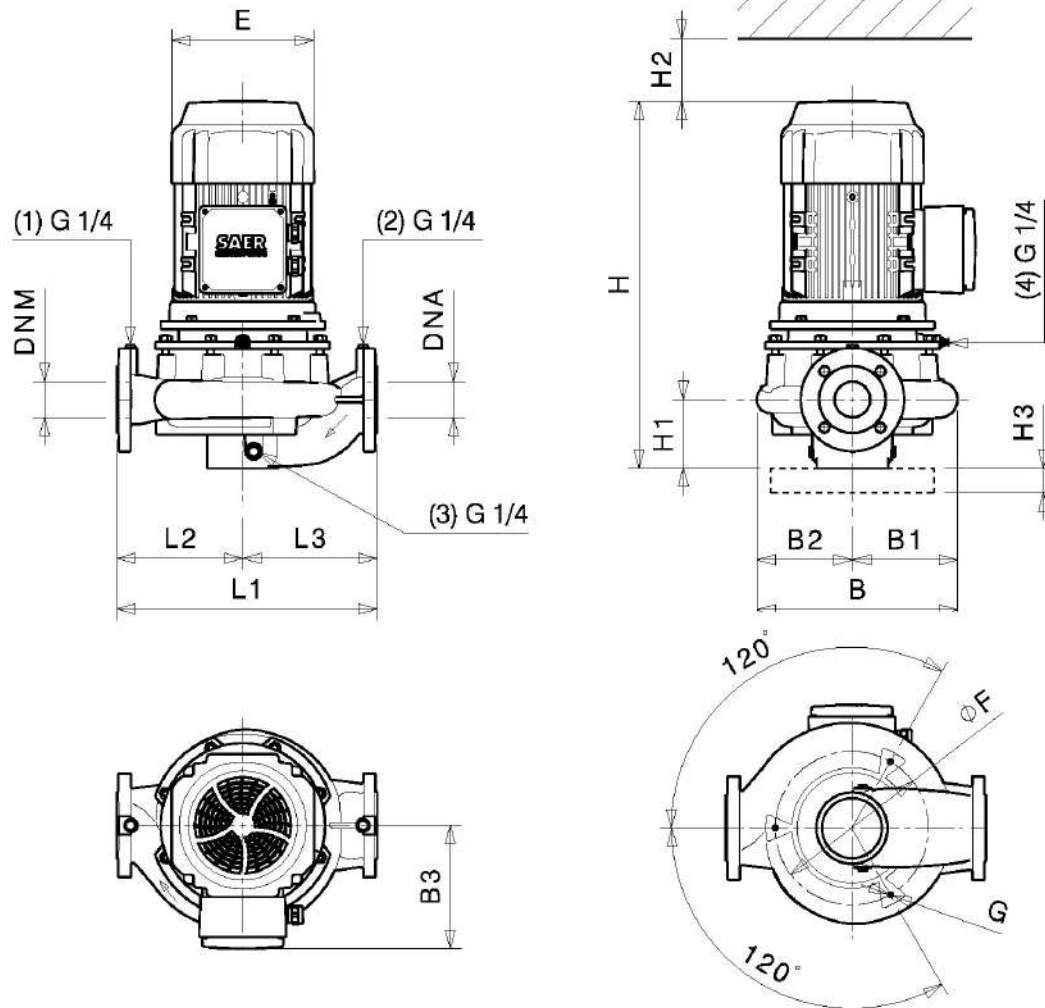
Performance data based to: Water; 20°C; 998.3kg/m³; 1.005mm²/s

UNI EN ISO 9906:2012 - Grade 3B



Type of installation  
L2P-65-125Ø 126

Pump dimensions



Disegni dimensionali e immagini non vincolanti. Dimensional drawing and picture are not binding. si riserva il diritto di effettuare cambiamenti senza alcun preavviso. reserves the right to make changes without prior notice.

Connections

|                                     |                                       |
|-------------------------------------|---------------------------------------|
| Suction side<br>DN65<br>PN10 / PN16 | Discharge port<br>DN65<br>PN10 / PN16 |
|-------------------------------------|---------------------------------------|

Dimensions in mm

|    |     |  |  |
|----|-----|--|--|
| B  | 261 |  |  |
| B1 | 146 |  |  |
| B2 | 115 |  |  |
| B3 | 140 |  |  |
| E  | 196 |  |  |
| F  | 180 |  |  |
| G  | M10 |  |  |
| H  | 565 |  |  |
| H1 | 105 |  |  |
| H2 | 130 |  |  |
| H3 | 40  |  |  |
| L1 | 360 |  |  |
| L2 | 160 |  |  |
| L3 | 200 |  |  |

ISSUE\_DATE  
2024-11-20

LAST\_MODI\_DATE  
2024-11-20