

SPLIT TYPE
AIR CONDITIONER
CASSETTE TYPE (50Hz)

SERVICE MANUAL

Indoor unit	Outdoor unit
AUG25AGB-W	AOG25ANAL
AUG25ALD-W	AOG25ANAL
AUG25RLD-W	AOG25RNAL
AUY25AGB-W	AOY25ANAL
AUY25ALD-W	AOY25ANAL
AUY25RLD-W	AOY25RNAL
AUG30AGB-W	AOG30AMBH
AUG30ALD-W	AOG30AMBL
AUG30RLD-W	AOG30RMBL
AUY30AGB-W	AOY30AMBH
AUY30ALD-W	AOY30AMBL
AUY30RLD-W	AOY30RMBL

CONTENTS

SPECIFICATIONS.....	1
OUTLINE AND DIMENSIONS.....	3
CIRCUIT DIAGRAM.....	5
REFRIGERANT SYSTEM DIAGRAM....	11
INDOOR PCB CIRCUIT DIAGRAM.....	14
OUTDOOR PCB CIRCUIT DIAGRAM...	17
ERROR CODE.....	18
DISASSEMBLY ILLUSTRATION.....	19
PARTS LIST.....	43

SPECIFICATIONS

TYPE		COOLING		COOLING & HEATING
MODEL	IN	AUG25AGB-W AUY25AGB-W	AUG25ALD-W AUY25ALD-W	AUG25RLD-W, AUY25RLD-W
	OUT	AOG25ANAL AOY25ANAL		AOG25RNAL, AOY25RNAL
COOLING CAPACITY	kW	7.00 - 7.10		6.95 - 7.05
HEATING CAPACITY	kW	—		7.75 - 8.00

POWER SOURCE		220 - 240 V	220 - 240 V
		50 Hz	
RUNNING CURRENT (A)	COOL	13.0 - 12.7	12.3 - 12.3
	HEAT	—	11.3 - 11.7
INPUT WATTS (kW)	COOL	2.66 - 2.75	2.60 - 2.70
	HEAT	—	2.38 - 2.53
E.E.R (kW/kW)	COOL	2.63 - 2.58	2.67 - 2.61
	HEAT	—	3.26 - 3.16
STARTING CURRENT		61 A	61 A
MOISTURE REMOVAL		2.5 L/hr	

COMPRESSOR

TYPE	Hermetic type, 2 pole, Single phase, Induction motor		
DISCRIMINATION	2JS438D5CA02		
REFRIGERANT R-22	2,050 g	2,100 g	

FAN SPEED	INDOOR	HIGH	490 r.p.m.	
		MED	430 r.p.m.	
		LOW	360 r.p.m.	
	OUTDOOR	720 r.p.m.		
AIR FLOW	INDOOR	m ³ /h	1,100	
	OUTDOOR		3,000	
DIMENSIONS H x W x D	IN	246 x 830 x 830 mm		
	GRILLE	35 x 940 x 940 mm		
	OUT	700 x 900 x 350 mm		
WEIGHT NET / GROSS	IN	34 kg / 44 kg		
	OUT	67 kg / 79 kg	70 kg / 82 kg	
MAX PIPE LENGTH/HEIGHT	25 m / 15 m			
REMOTE CONTROLLER TYPE	WIRELESS	WIRED		

TYPE		COOLING				COOLING & HEATING
MODEL	IN	AUG30AGB-W, AUJ30AGB-W		AUG30ALD-W, AUJ30ALD-W		AUG30RLD-W, AUJ30RLD-W
	OUT	AOG30AMBL AOY30AMBL	AOG30AMBH AOY30AMBH	AOG30AMBL AOY30AMBL	AOG30AMBH AOY30AMBH	AOG30RMBL, AOY30RMBL
COOLING CAPACITY	kW	8.60 - 8.80				8.30 - 8.60
HEATING CAPACITY	kW	—				9.30 - 9.50

POWER SOURCE	V	220 - 240		220 - 240	
	Hz	50			
RUNNING CURRENT (A)	COOL	14.7 - 14.5		15.0 - 14.8	
	HEAT	—		14.5 - 14.5	
INPUT WATTS (kW)	COOL	3.20 - 3.30		3.25 - 3.35	
	HEAT	—		3.15 - 3.30	
E.E.R (kW/kW)	COOL	2.69 - 2.67		2.55 - 2.57	
	HEAT	—		2.95 - 2.88	
STARTING CURRENT	A	90		90	
MOISTURE REMOVAL	ℓ/h	4.0			

COMPRESSOR

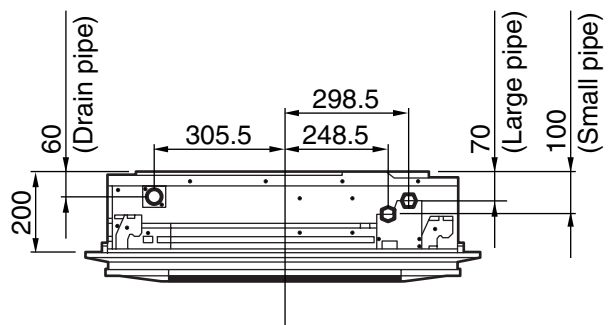
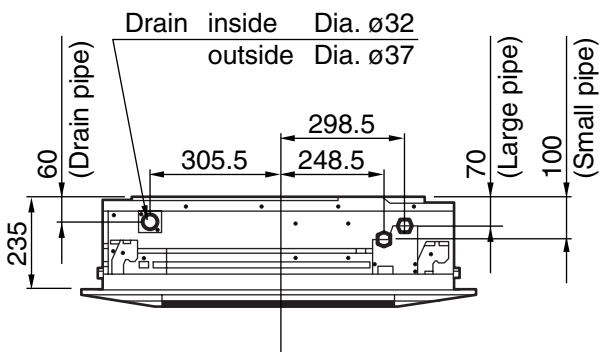
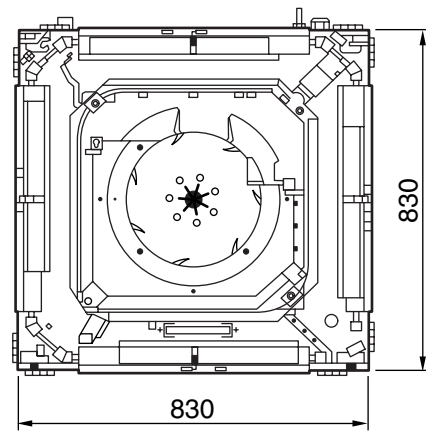
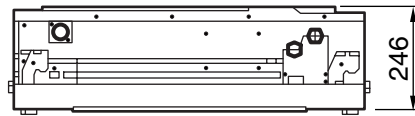
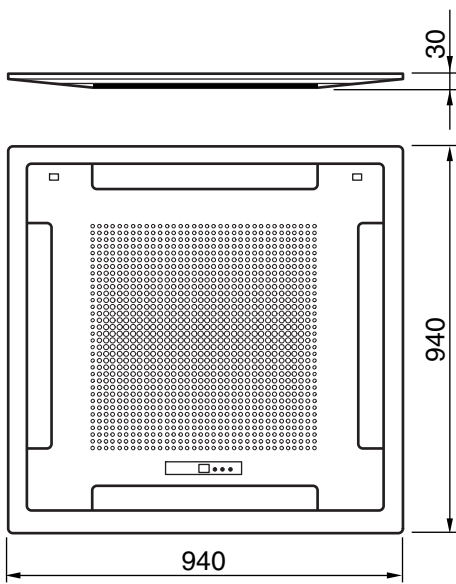
TYPE			Hermetic type, 2 pole, Single phase, Induction motor				
DISCRIMINATION			NH52VNHT	NHT52VAAT	NH52VNHT	NHT52VAAT	NH52VNHT
REFRIGERANT	R-22	g	2,400	2,500	2,400	2,500	2,700

FAN SPEED (r.p.m.)	INDOOR	HIGH	540				
		MED	480				
		LOW	390				
OUTDOOR			730			760	
AIR FLOW	INDOOR	m³/h	1,200				
	OUTDOOR		3,320			3,450	
DIMENSIONS H x W x D (mm)	NET	IN	246 x 830 x 830				
		GRILLE	35 x 940 x 940				
		OUT	900 x 900 x 350				
WEIGHT [NET/GROSS] (kg)	IN	34 / 44					
	OUT	79 / 91			80 / 92		
MAX PIPE LENGTH/HEIGHT	m	30 / 15			25 / 15		
REMOTE CONTROLLER TYPE		WIRELESS			WIRED		

OUTLINE AND DIMENSIONS

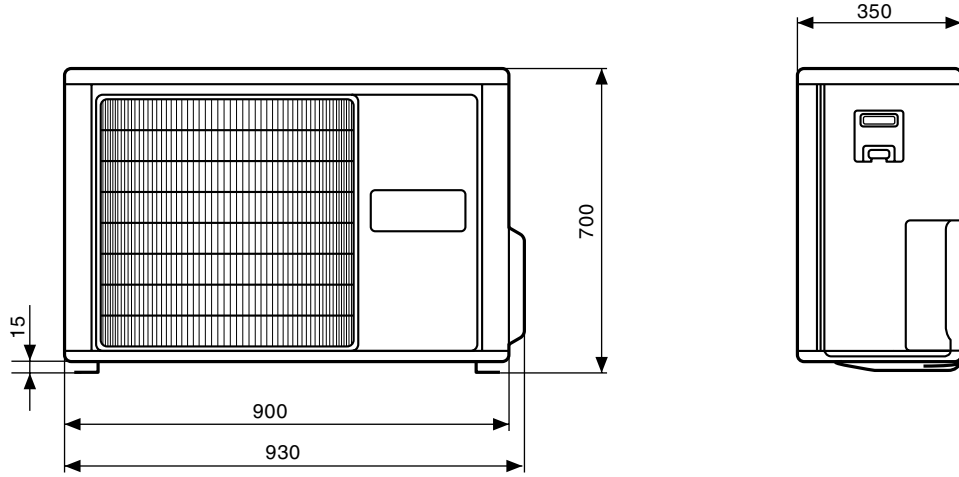
Models : AUG25AGB-W, AUG25ALD-W, AUG25RLD-W
 AUY25AGB-W, AUY25ALD-W, AUY25RLD-W
 AUG30AGB-W, AUG30ALD-W, AUG30RLD-W
 AUY30AGB-W, AUY30ALD-W, AUY30RLD-W

Unit : (mm)

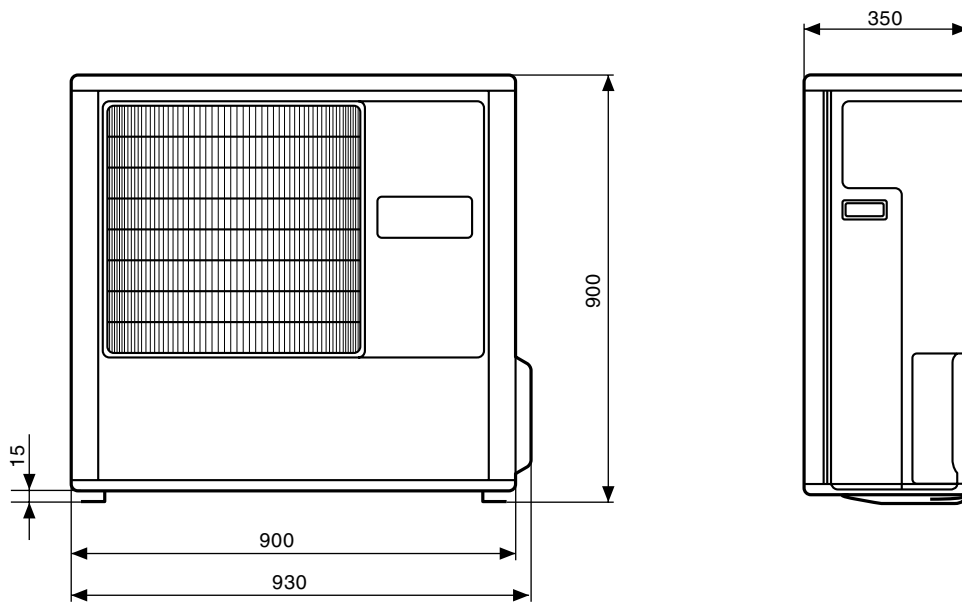


Unit : (mm)

**Models : AOG25ANAL, AOG25RNAL
AOY25ANAL, AOY25RNAL**

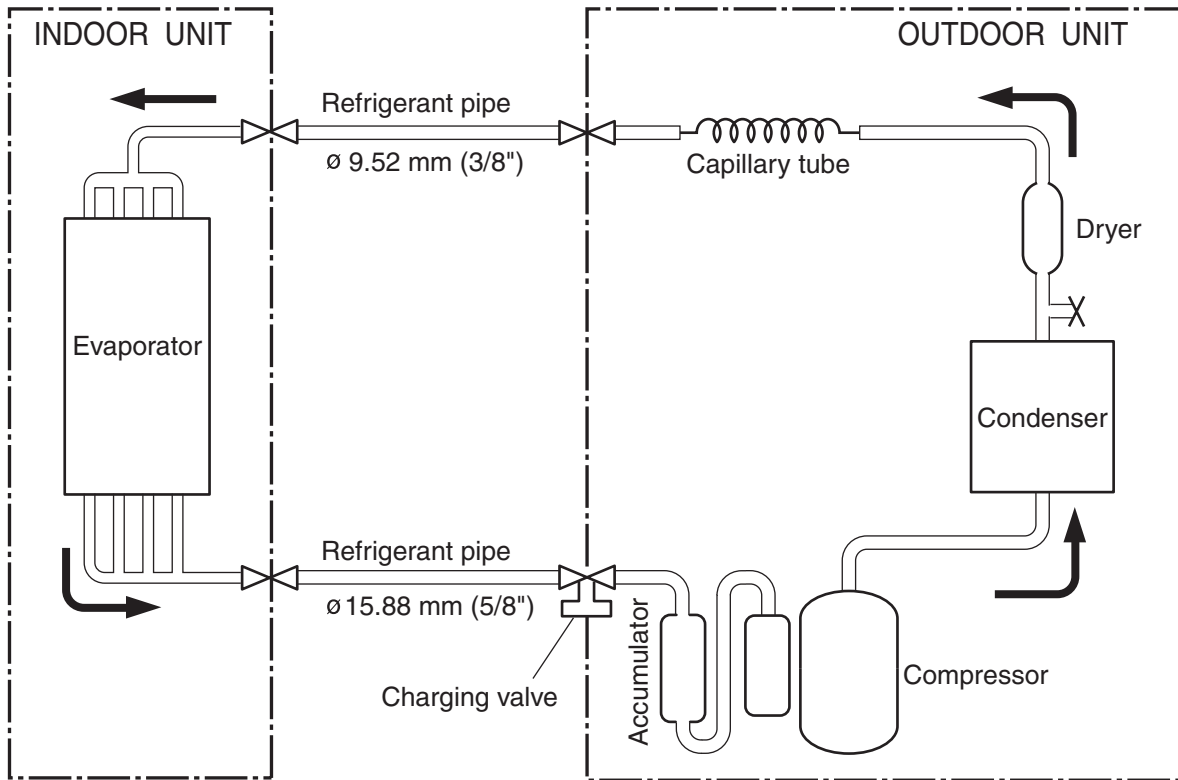


**Models : AOG30AMBH, AOG30RMBL
AOY30AMBH, AOY30RMBL
AOG30AMBL, AOY30AMBL**

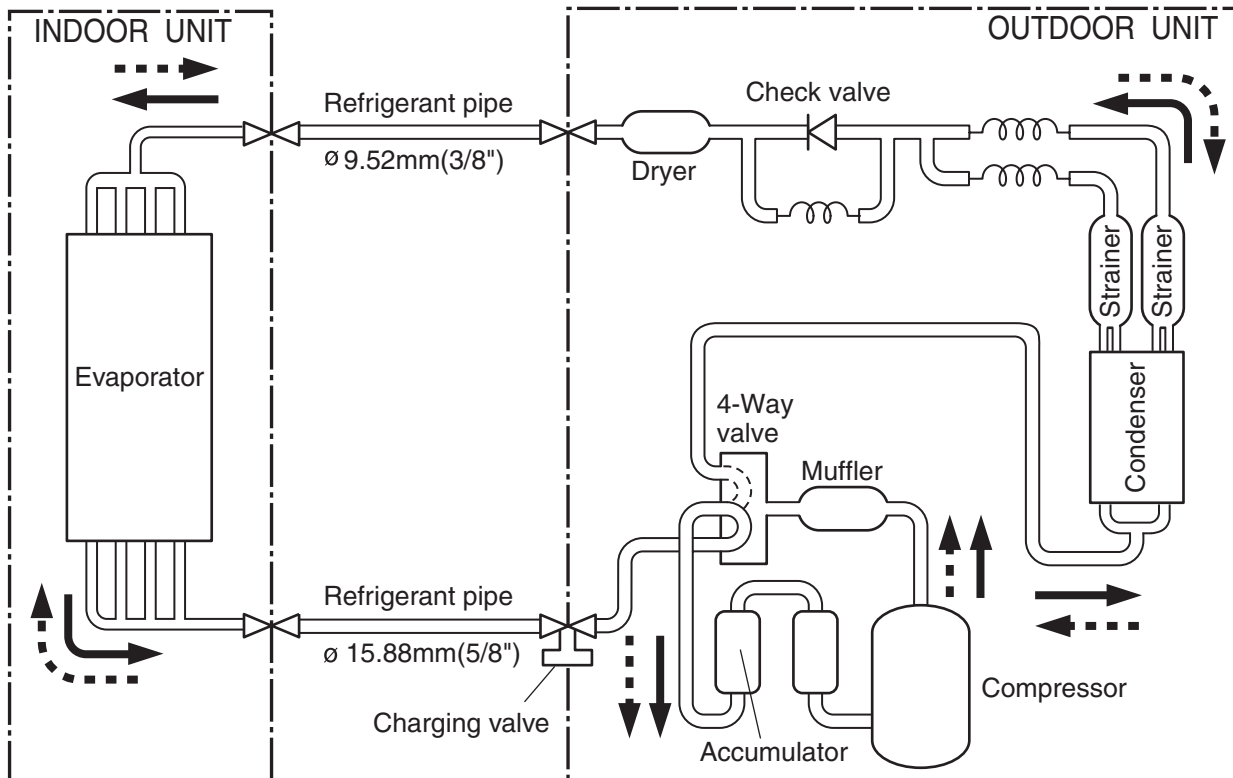


REFRIGERANT SYSTEM DIAGRAM

Models : AUG25AGB-W / AOG25ANAL, AUG25ALD-W / AOG25ANAL
 AUY25AGB-W / AOY25ANAL, AUY25ALD-W / AOY25ANAL

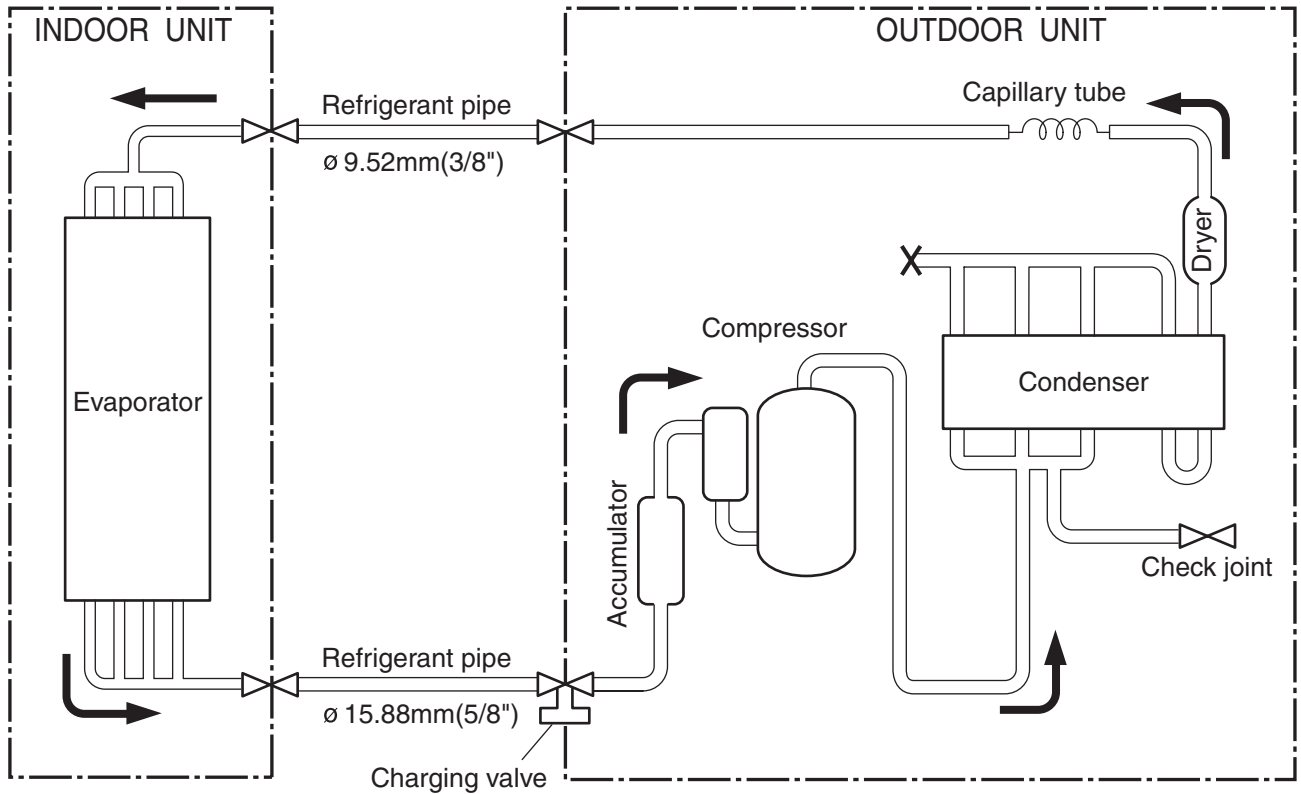


Models : AUG25RLD-W / AOG25RNAL
 AUY25RLD-W / AOY25RNAL

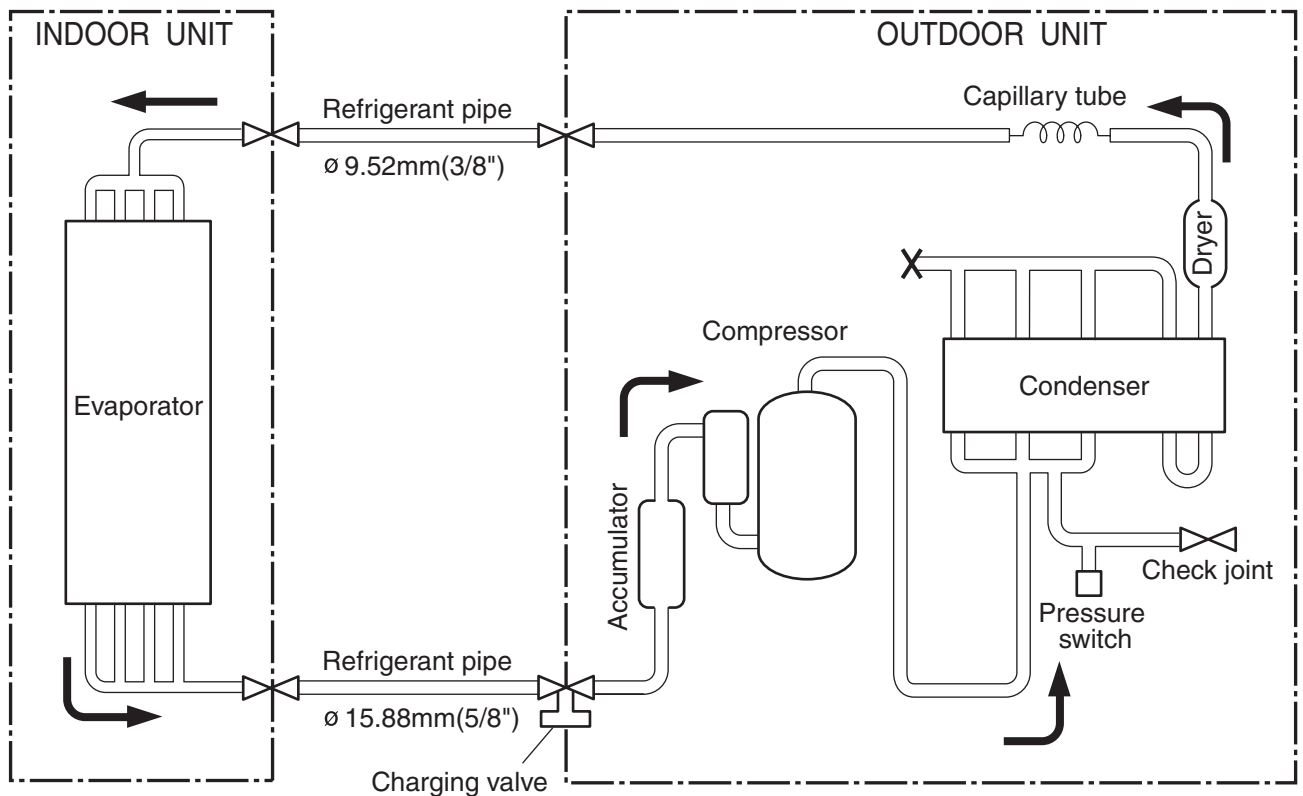


- Cooling
- Heating
- : Flare coupling

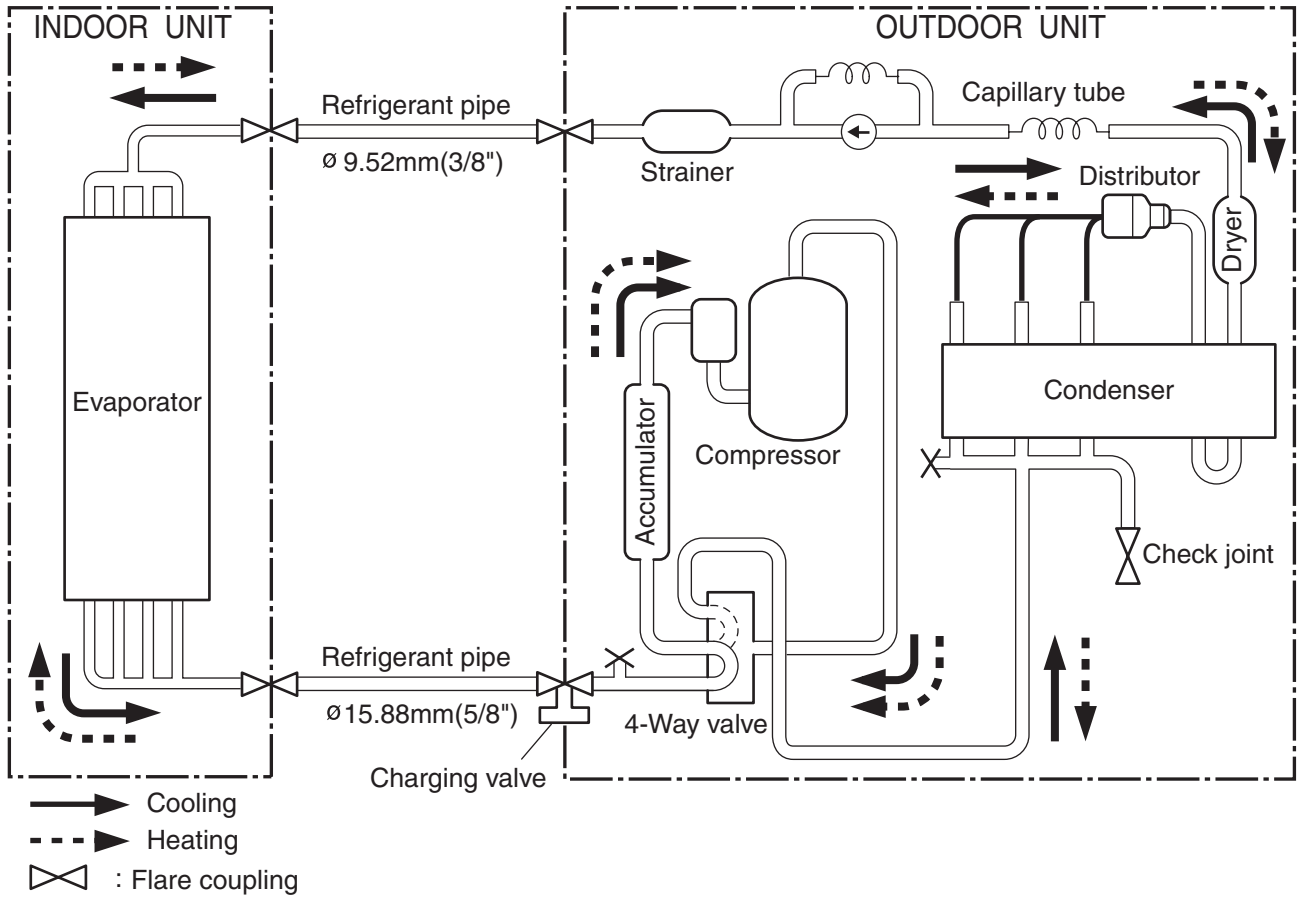
**Models : AUG30AGB-W / AOG30AMBL, AUG30ALD-W / AOG30AMBL
 AUY30AGB-W / AOY30AMBL, AUY30ALD-W / AOY30AMBL**



**Models : AUG30ALD-W / AOG30AMBH
 AUY30ALD-W / AOY30AMBH**

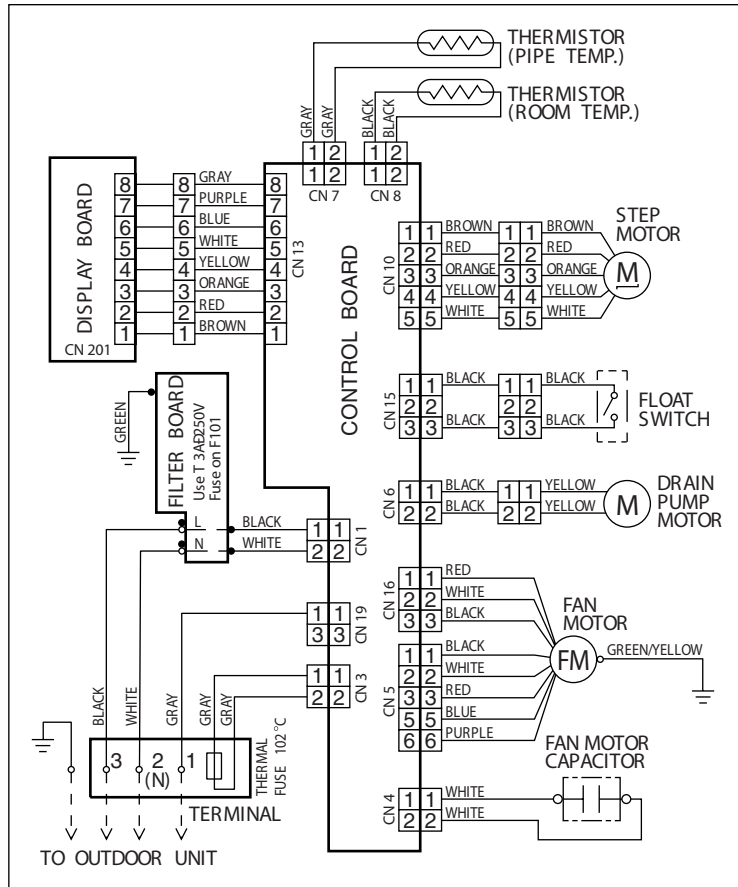


Models : AUG30RLD-W / AOG30RMBL
 AUY30RLD-W / AOY30RMBL

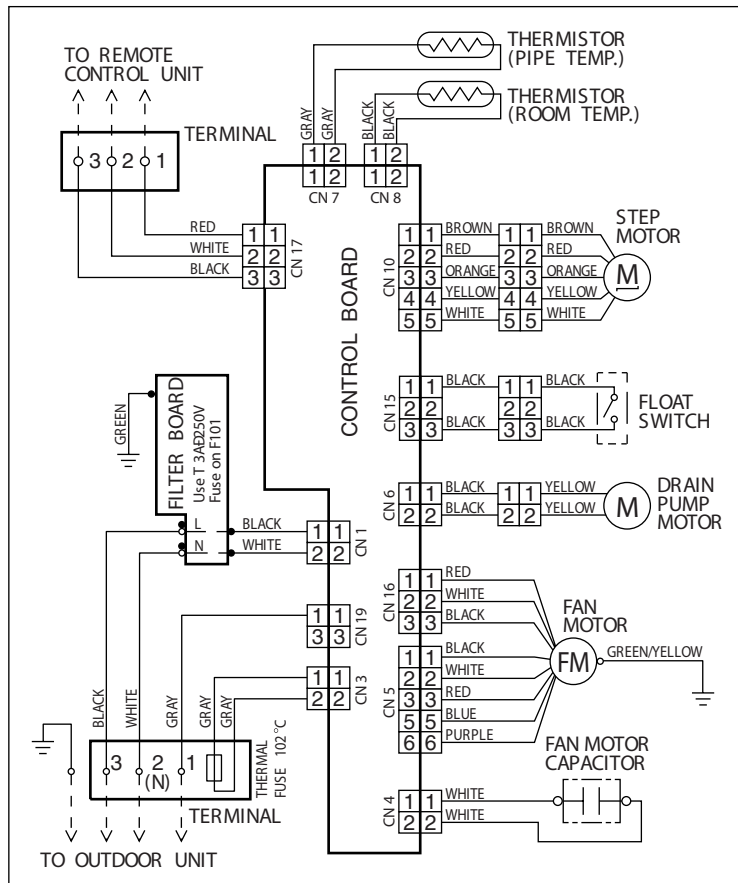


CIRCUIT DIAGRAM

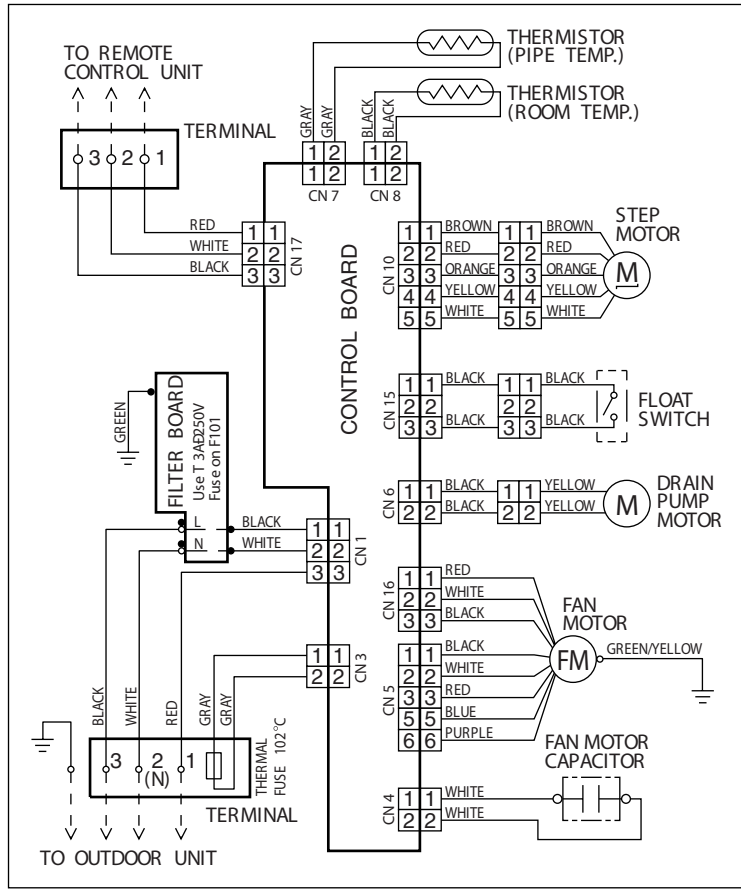
Models : AUG25AGB-W
 AUG30AGB-W
 AUY25AGB-W
 AUY30AGB-W



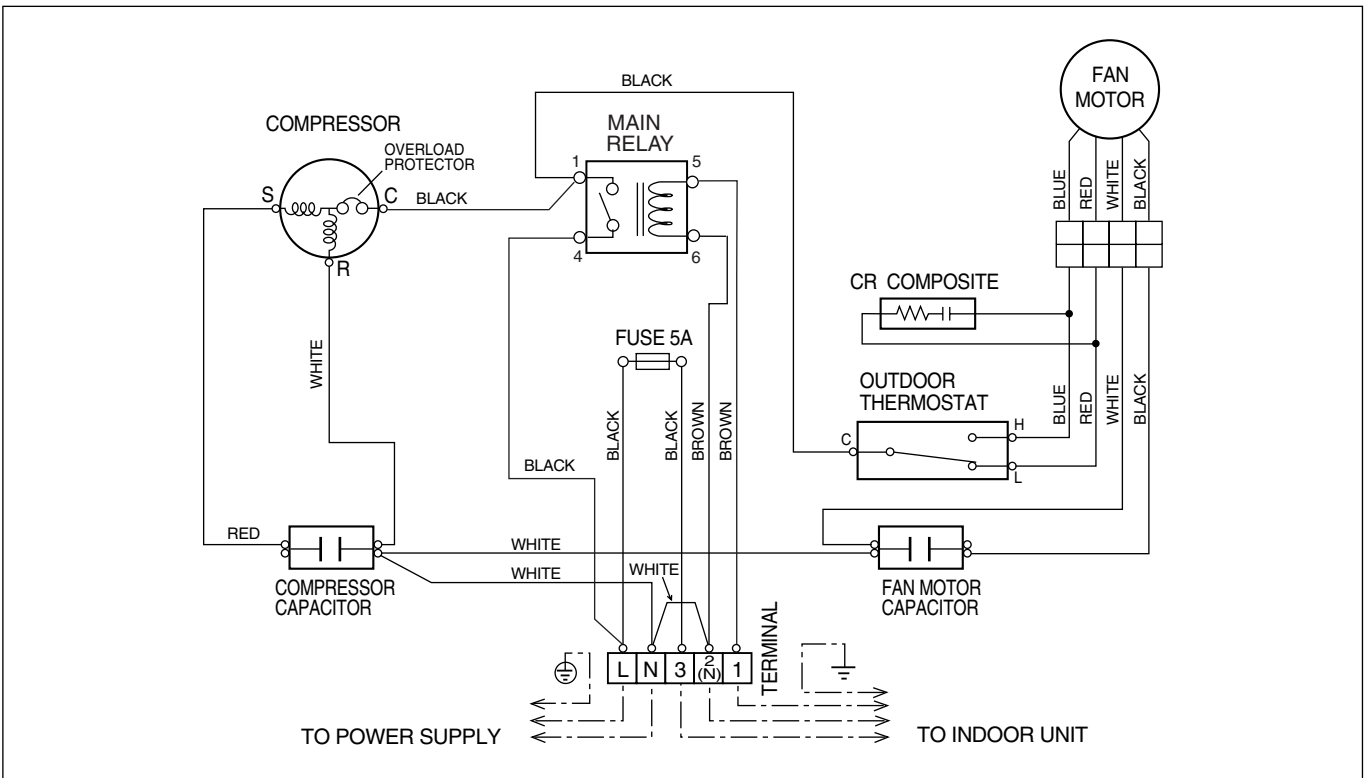
Models : AUG25ALD-W
 AUG30ALD-W
 AUY25ALD-W
 AUY30ALD-W



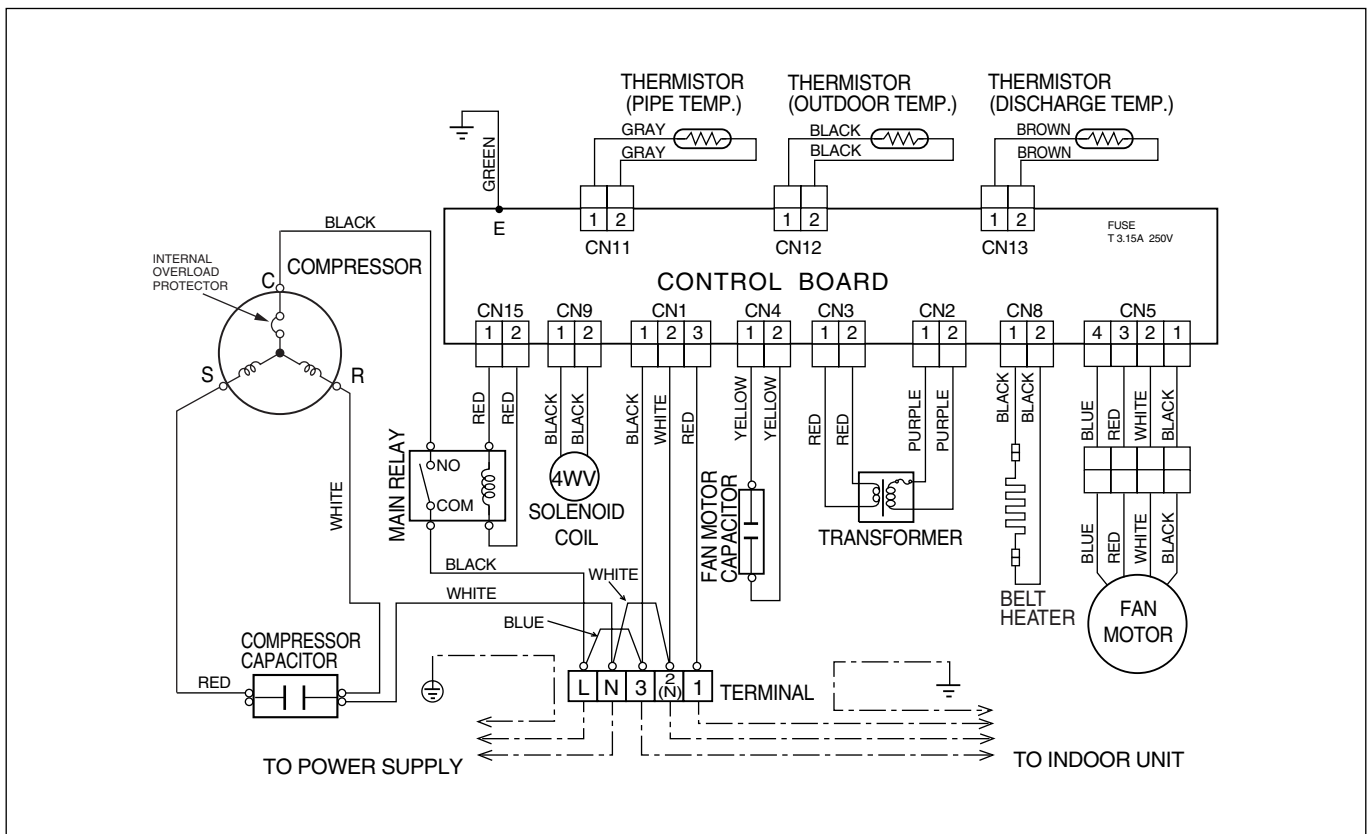
**Models : AUG25RLD-W
AUG30RLD-W
AUY25RLD-W
AUY30RLD-W**



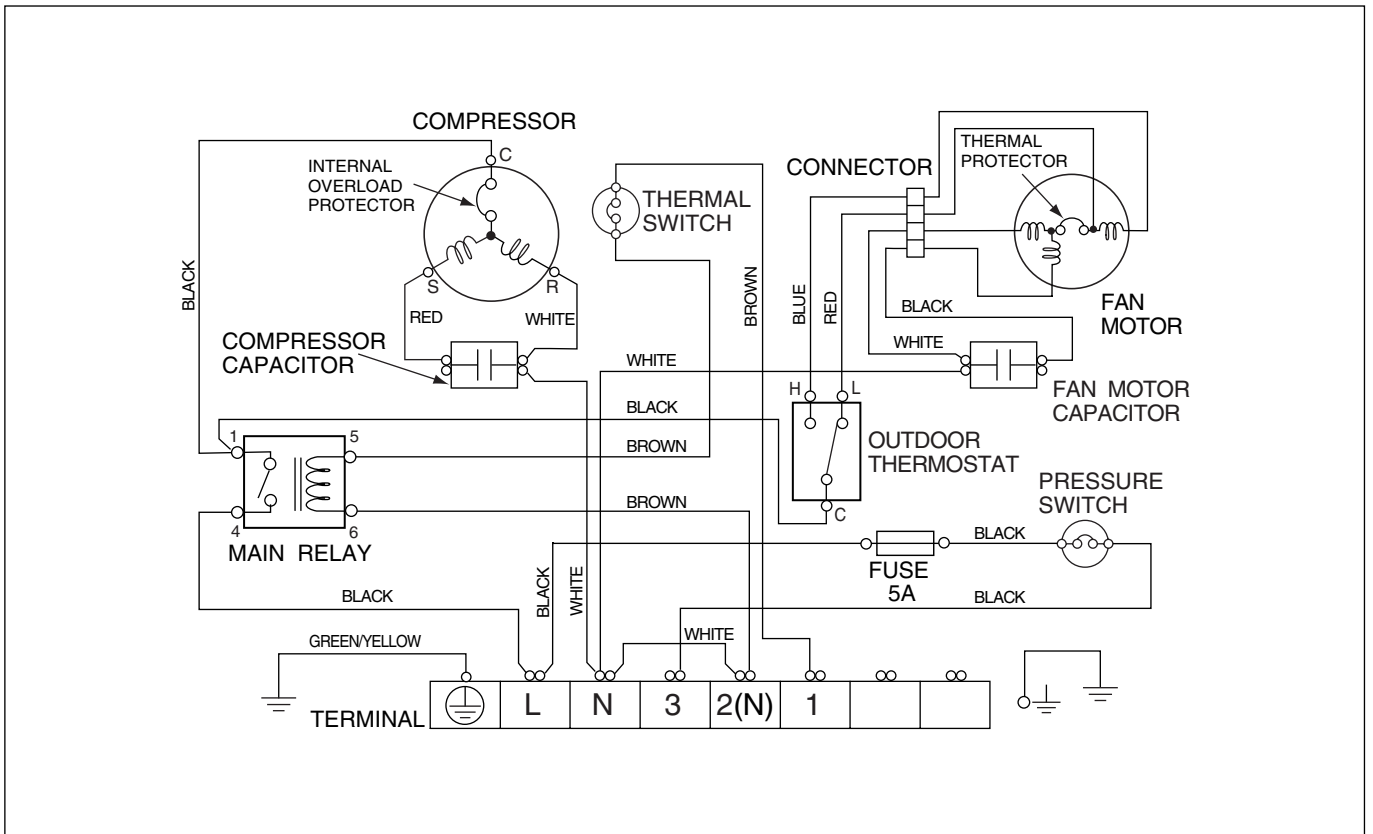
Models : AOG25ANAL, AOY25ANAL



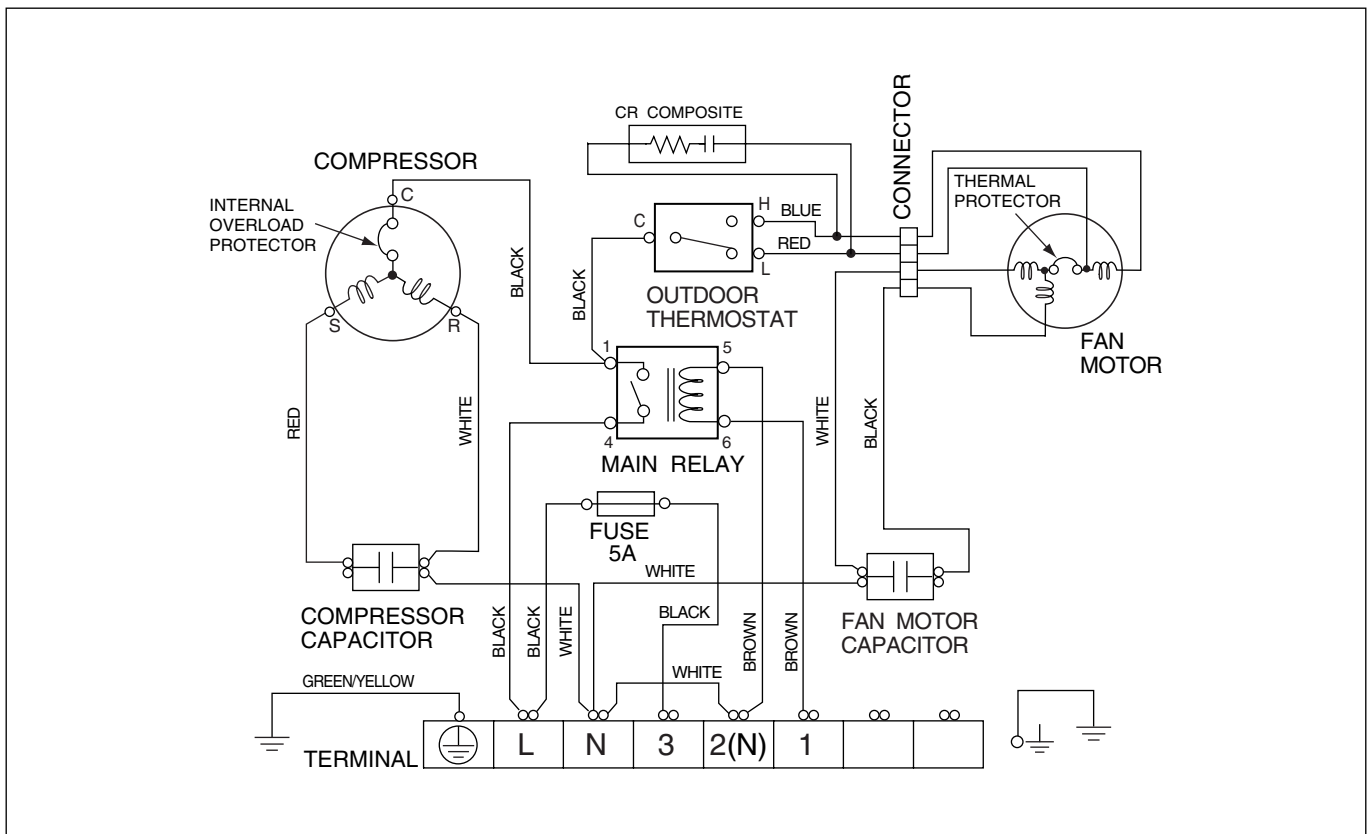
Models : AOG25RNAL, AOY25RNAL



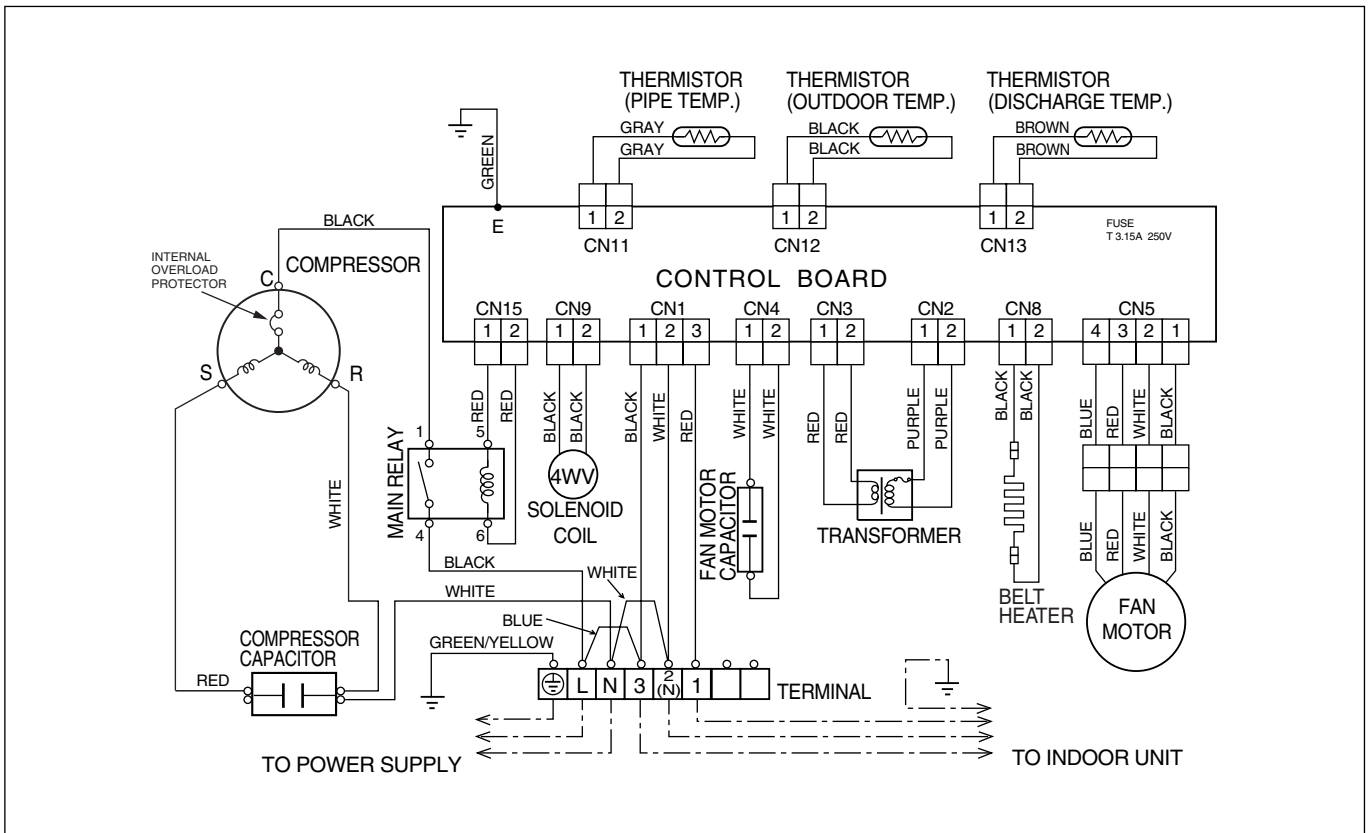
Models : AOG30AMBH, AOY30AMBH



Models : AOG30AMBL, AOY30AMBL



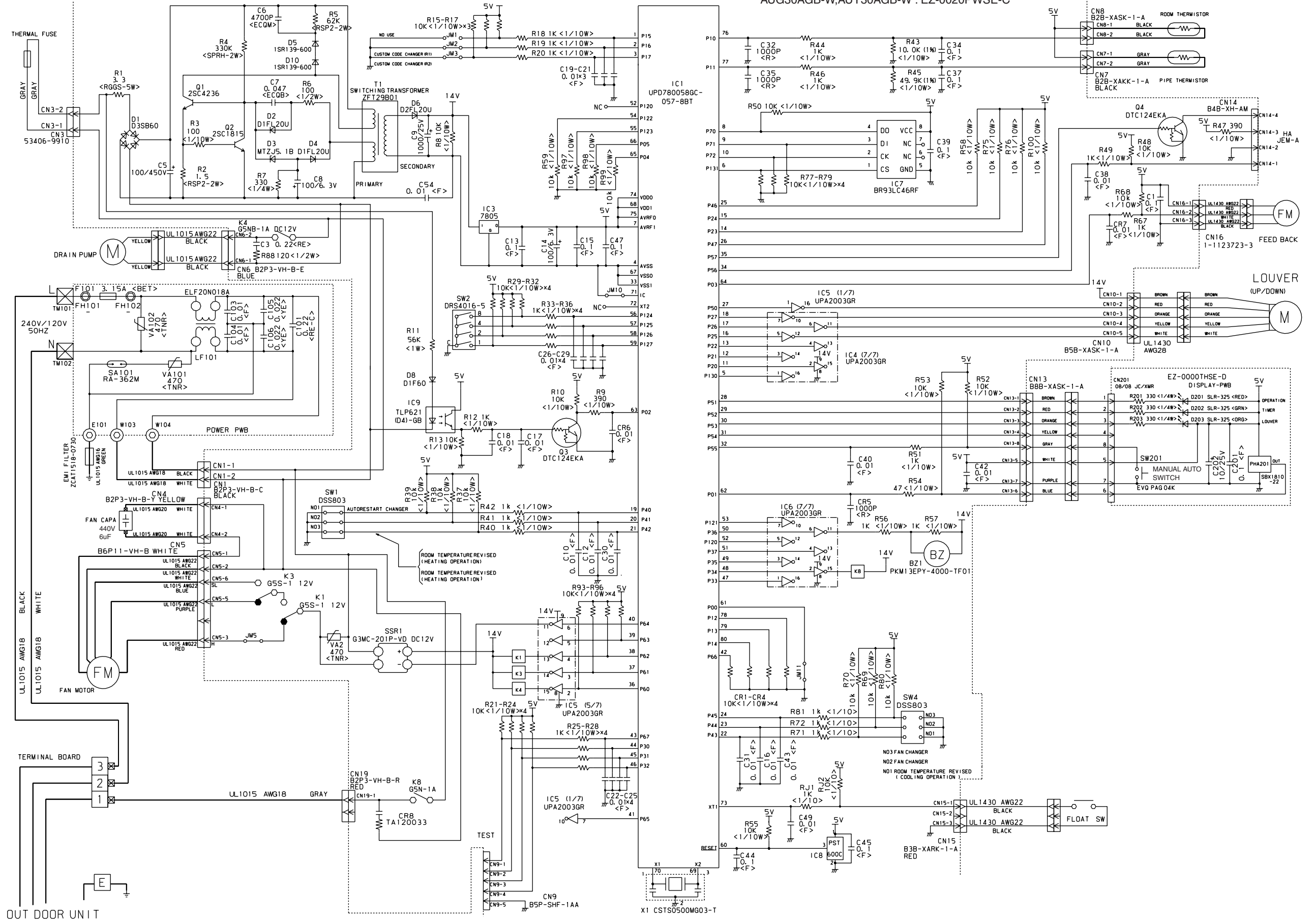
Models : AOG30RMBL, AOY30RMBL



INDOOR PRINTED CIRCUIT BOARD CIRCUIT DIAGRAM

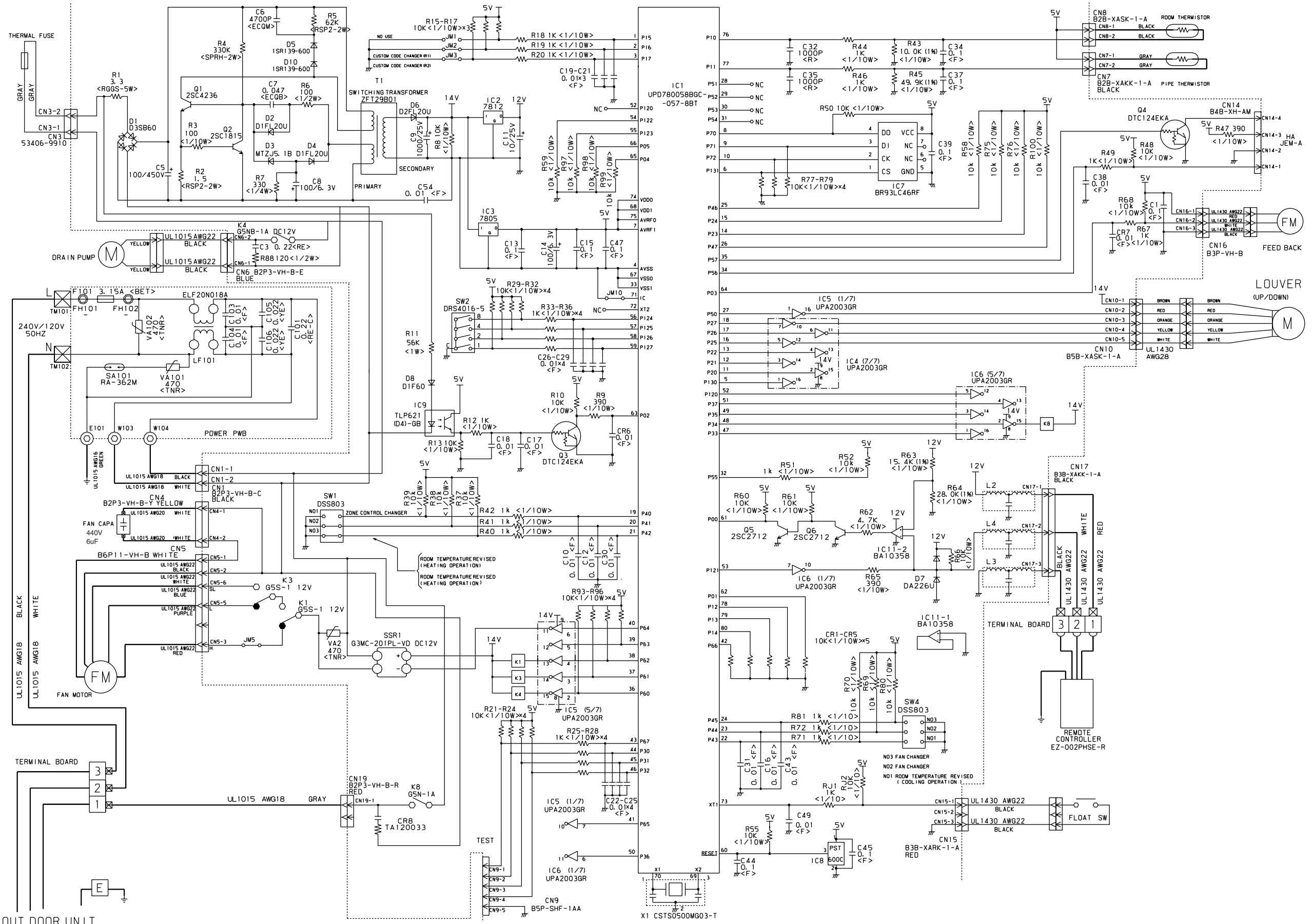
Models : AU □ 25AGB-W
AU □ 30AGB-W

CONTROLLER PCB ASSEMBLY (MAIN PCB)
AUG25AGB-W, AUY25AGB-W : EZ-00209WSE-C
AUG30AGB-W, AUY30AGB-W : EZ-0020PWSE-C



Models : AU □ 25ALD-W
 AU □ 30ALD-W

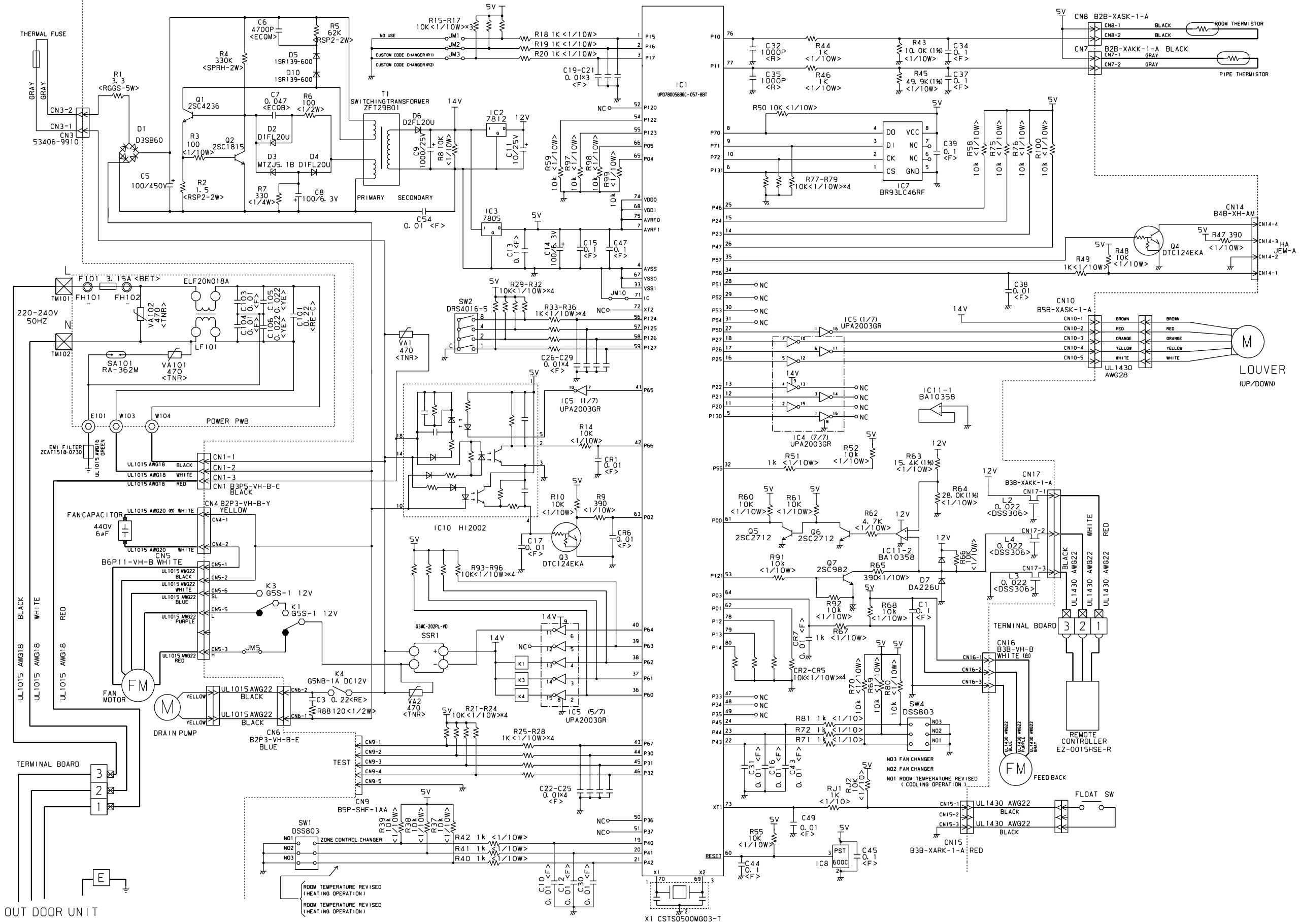
CONTROLLER PCB ASSEMBLY (MAIN PCB)
 AUG25ALD-W,AUY25ALD-W, : EZ-003WSE-C
 AUG30ALD-W,AUY30ALD-W, : EZ-002MWSE-C



OUT DOOR UNIT

Models : AU □ 25RLD-W
 AU □ 30RLD-W

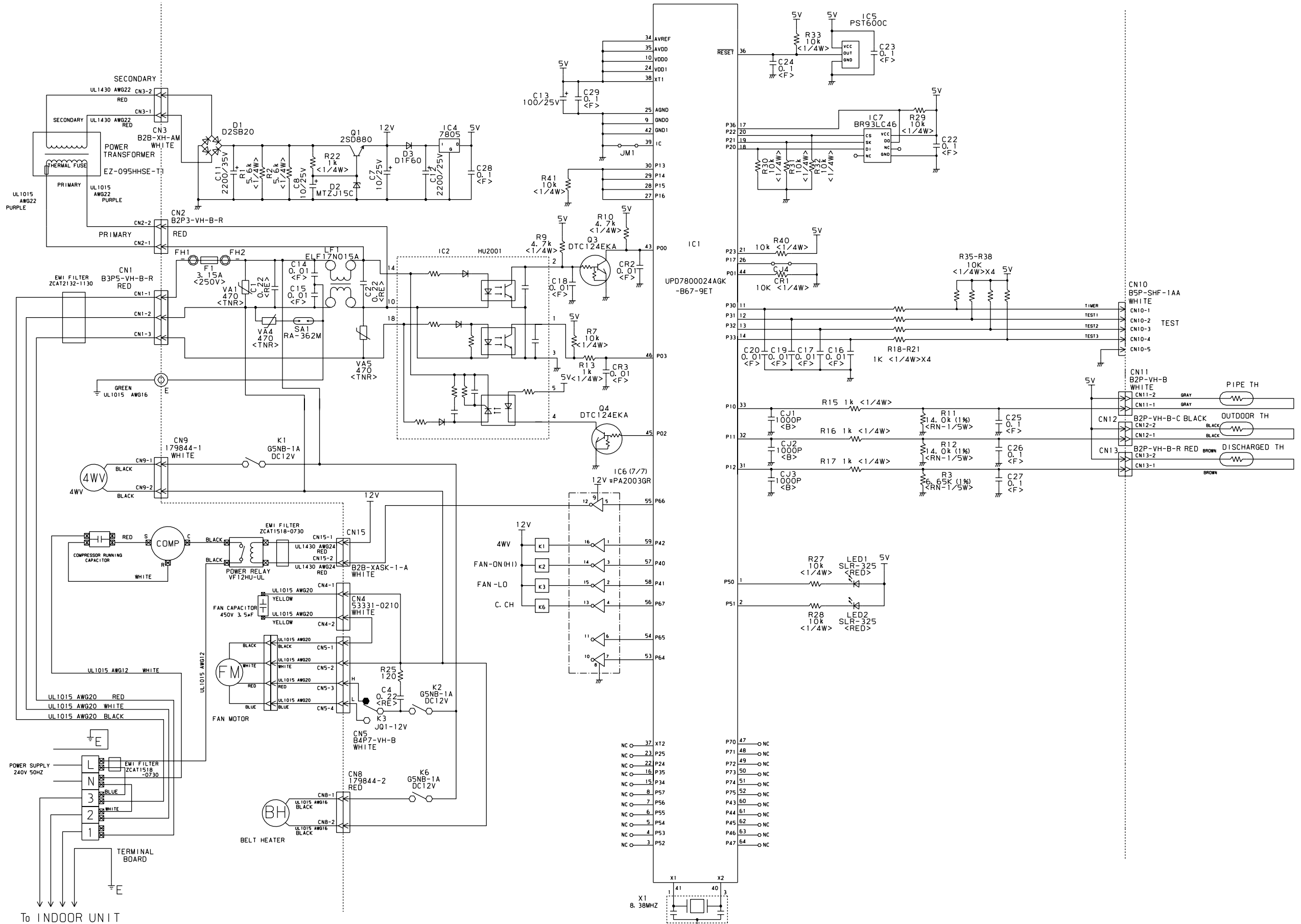
CONTROLLER PCB ASSEMBLY (MAIN PCB)
 AUG25RLD-W,AUY25RLD-W : EZ-00222HSE-C
 AUG30RLD-W,AUY30RLD-W : EZ-00223HSE-C



OUTDOOR PRINTED CIRCUIT BOARD CIRCUIT DIAGRAM

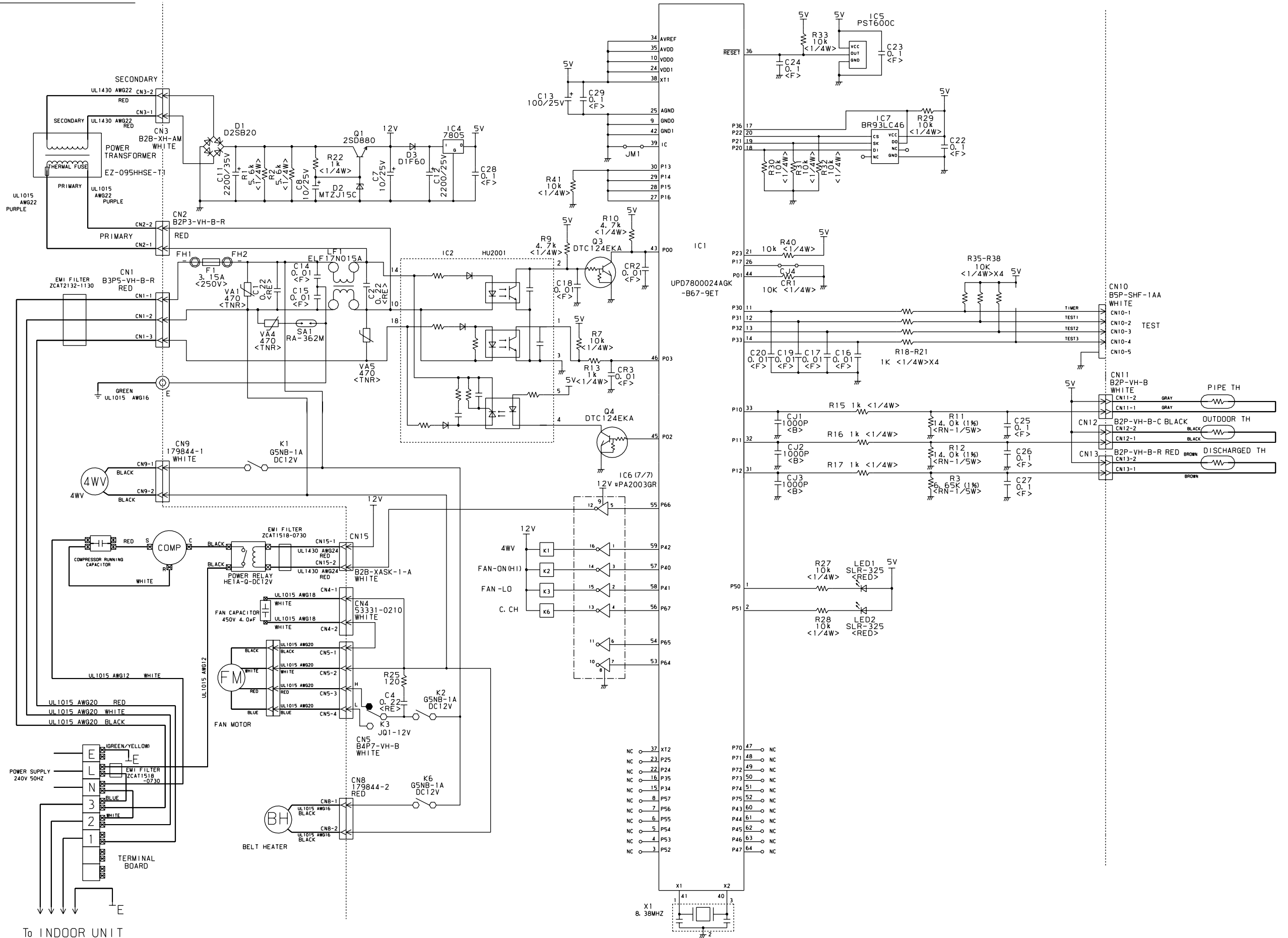
Models : AO□25RNAL

CONTROLLER PCB ASSEMBLY (MAIN PCB)
AOG25RNAL,AOY25RNAL : EZ-002 SHUE-C



Models : AO □ 30RMBL

CONTROLLER PCB ASSEMBLY (MAIN PCB)
AOG30RMBL,AOY30RMBL : EZ-0028HUE-C



ERROR CODE

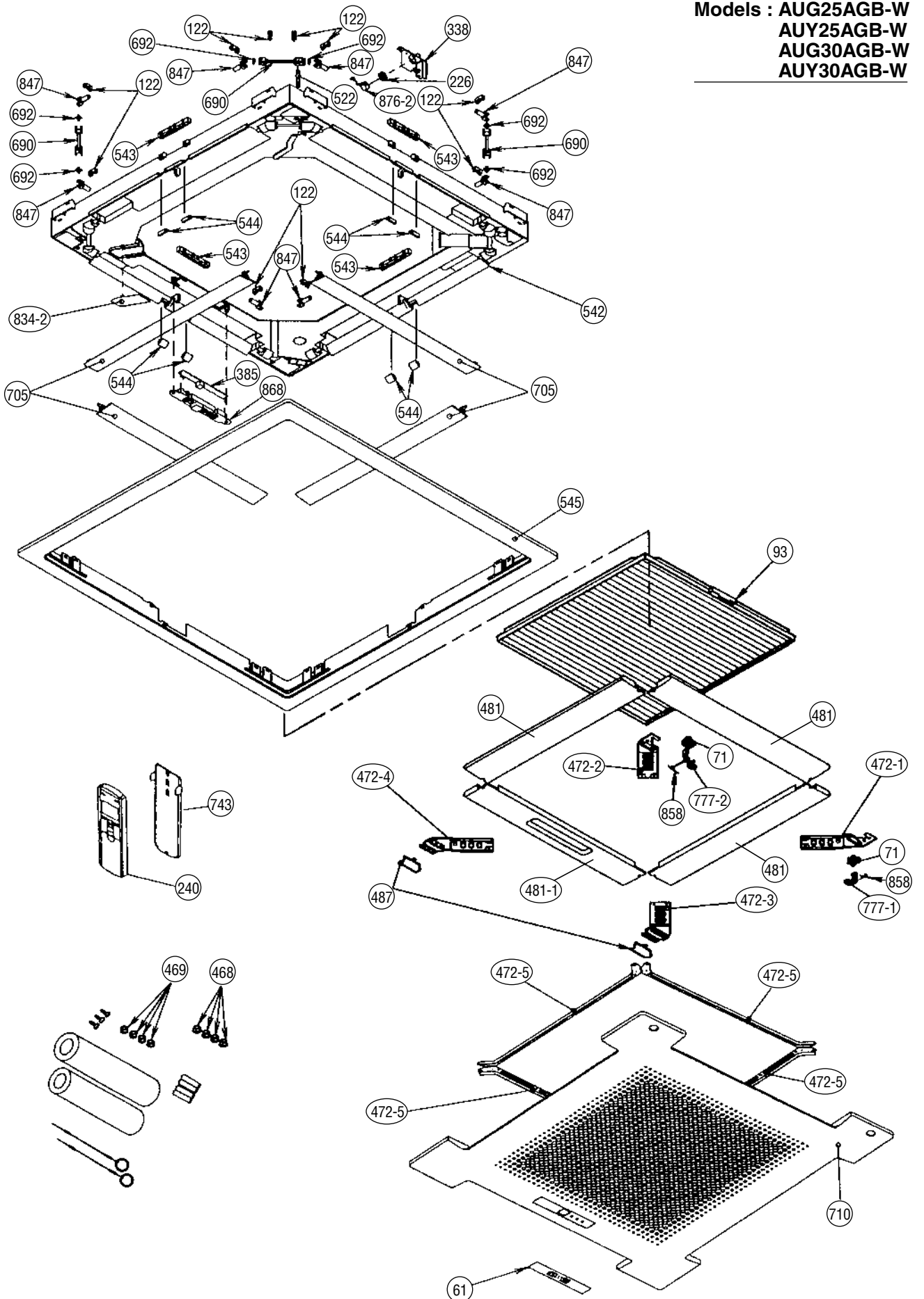
AO_25RNAL Series Error/Protection LED Indication

	Indication	LED 1	LED 2	Priority
Error Indication	Model Number Error	0.1s ON / 0.1s OFF Blink	0.1s ON / 0.1s OFF Blink	1
	Reverse Phase Wiring Protection Error	1 time Blink	Continuous ON	2
	EEPROM Erase Error	0.1s ON / 0.1s OFF Blink	0.1s ON / 0.1s OFF Blink	3
	EEPROM Access Error	0.1s ON / 0.1s OFF Blink	0.1s ON / 0.1s OFF Blink	4
	Exhaust Temp. Thermistor Error	2 times Blink	Continuous ON	5
	Pipe Temp. Thermistor Error	3 times Blink	Continuous ON	6
	Outdoor Temp. Thermistor Error	4 times Blink	Continuous ON	7
	Serial Communication Error	5 times Blink	Continuous ON	8
	Indoor Unit Error	6 times Blink	Continuous ON	9
	Exhaust Temp. Error	7 times Blink	Continuous ON	10
	High Pressure SW Error (at Start up)	8 times Blink	Continuous ON	11
	High Pressure Error	8 times Blink	Continuous ON	12
Protection Indication	Overload Protection	1 time Blink	Continuous OFF	13
	Icing Protection	2 times Blink	Continuous OFF	14
	Defrosting	3 times Blink	Continuous OFF	15
	Exhaust Temp Protection (24 hours)	4 times Blink	Continuous OFF	16
	High Pressure Protection (24 hours)	5 times Blink	Continuous OFF	17

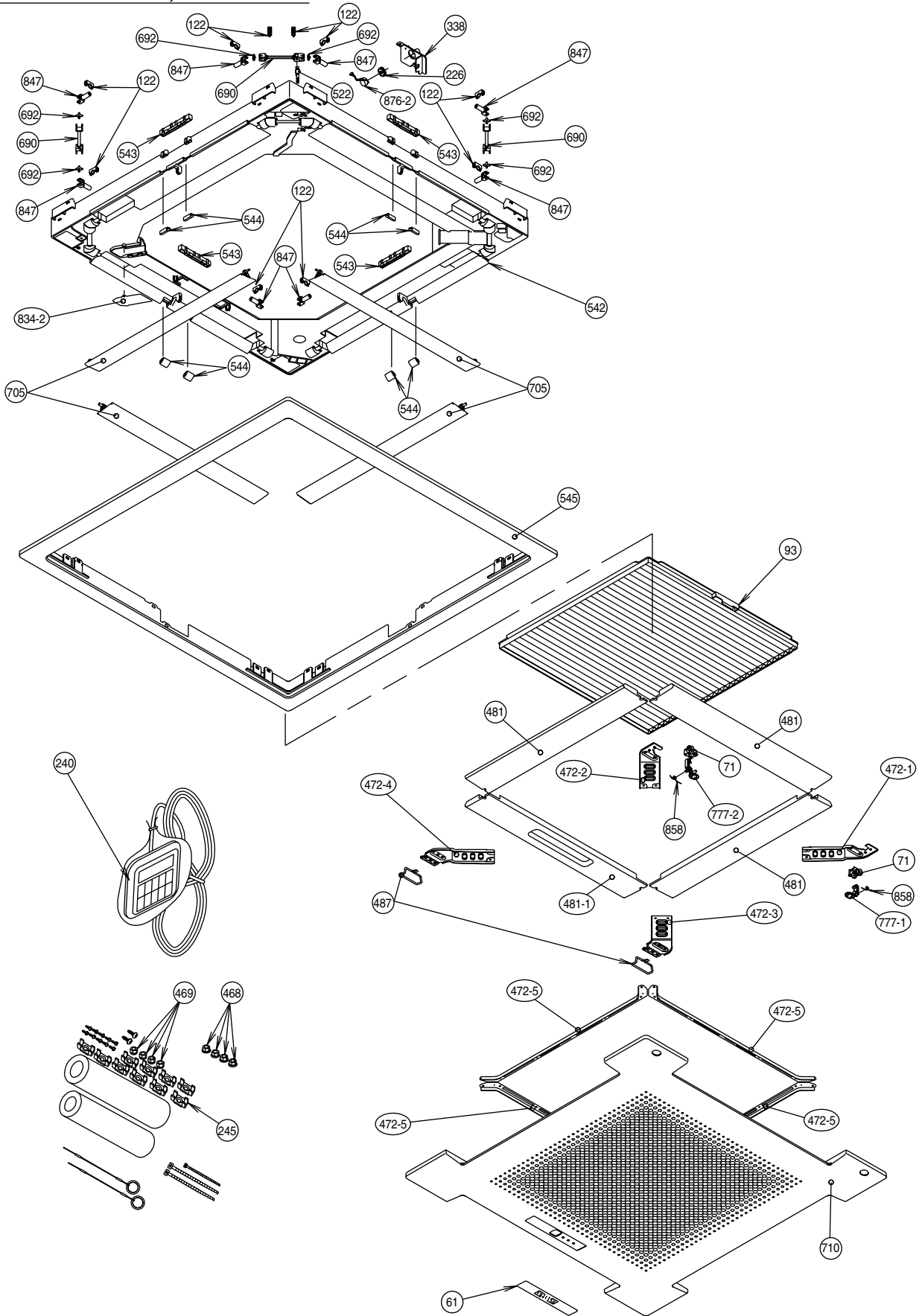
Note : If multiple errors are occurred, higher priority error will be indicated.

DISASSEMBLY ILLUSTRATION

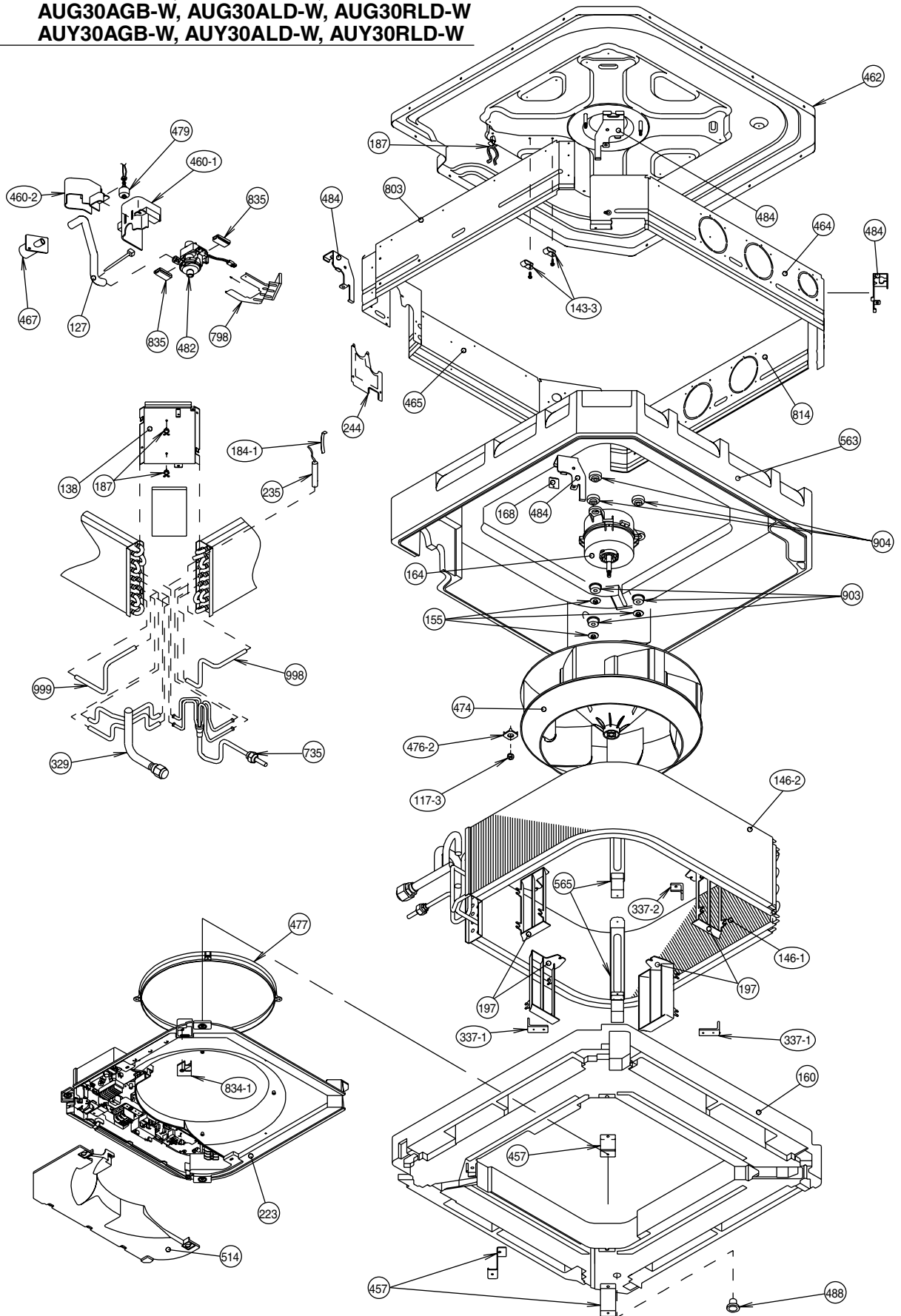
Models : AUG25AGB-W
 AUY25AGB-W
 AUG30AGB-W
 AUY30AGB-W



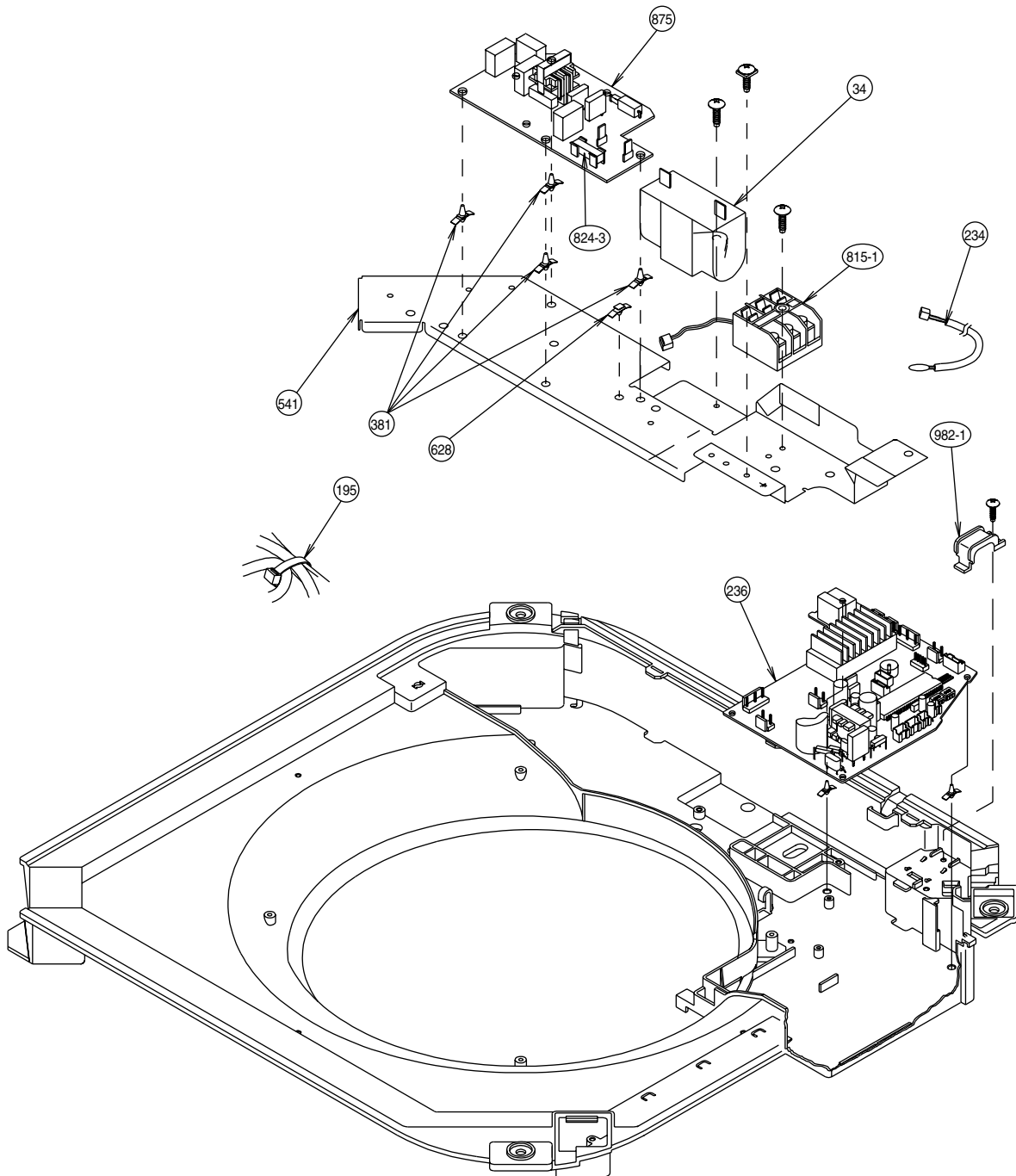
Models : AUG25ALD-W, AUG25RLD-W
AUY25ALD-W, AUY25RLD-W
AUG30ALD-W, AUG30RLD-W
AUY30ALD-W, AUY30RLD-W



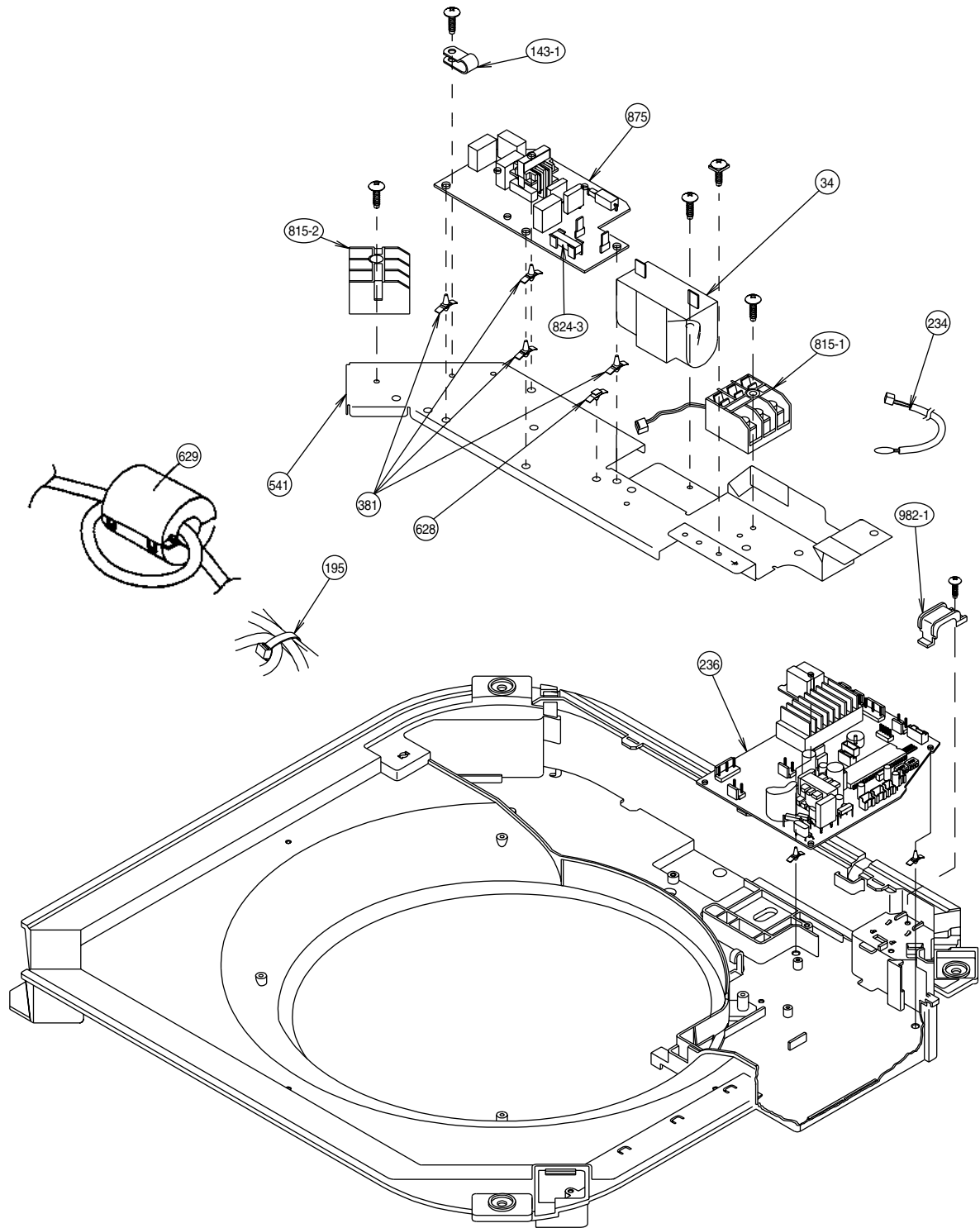
Models : AUG25AGB-W, AUG25ALD-W, AUG25RLD-W
 AUY25AGB-W, AUY25ALD-W, AUY25RLD-W
 AUG30AGB-W, AUG30ALD-W, AUG30RLD-W
 AUY30AGB-W, AUY30ALD-W, AUY30RLD-W



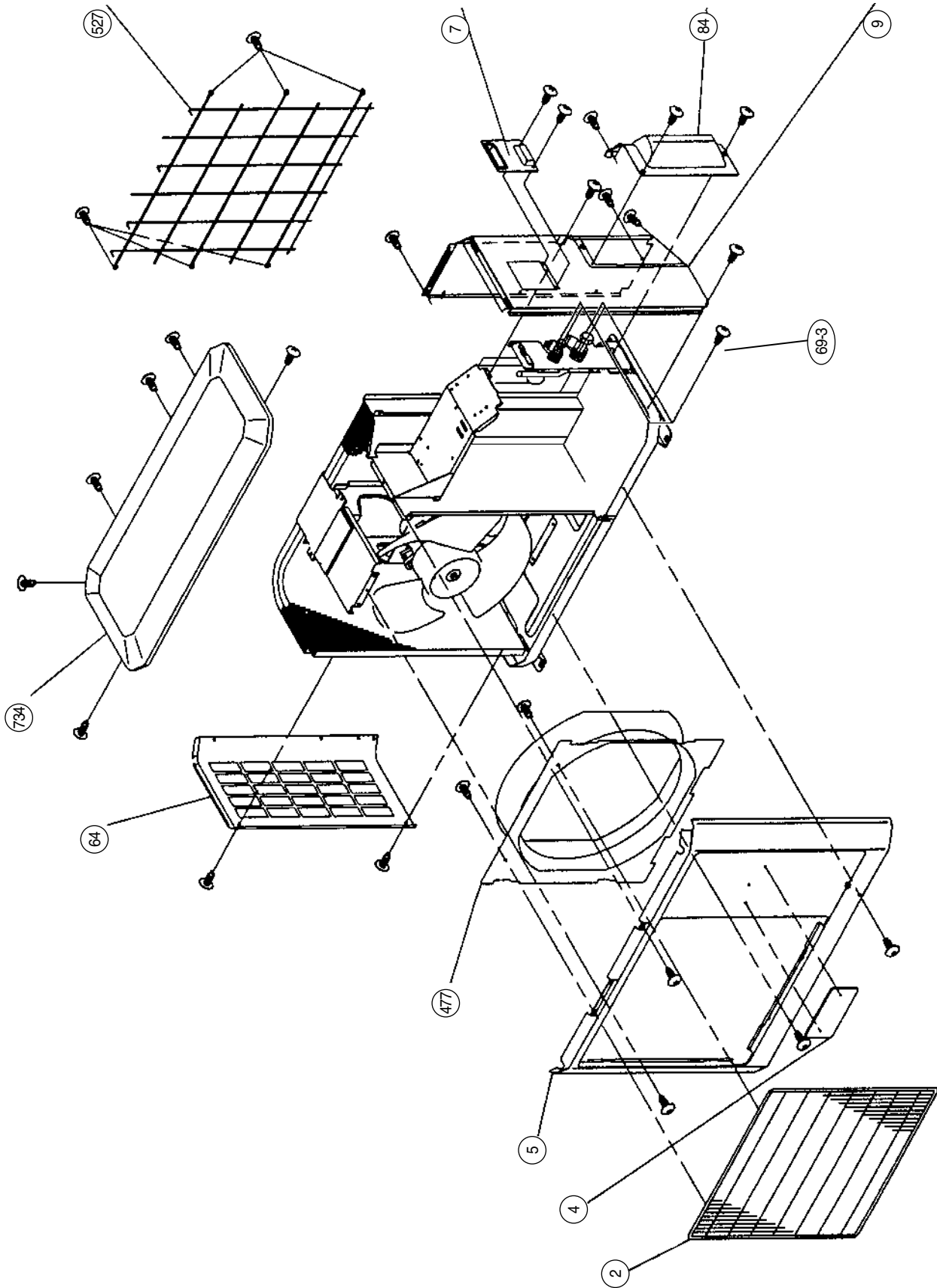
Models : AUG25AGB-W
AUY25AGB-W
AUG30AGB-W
AUY30AGB-W



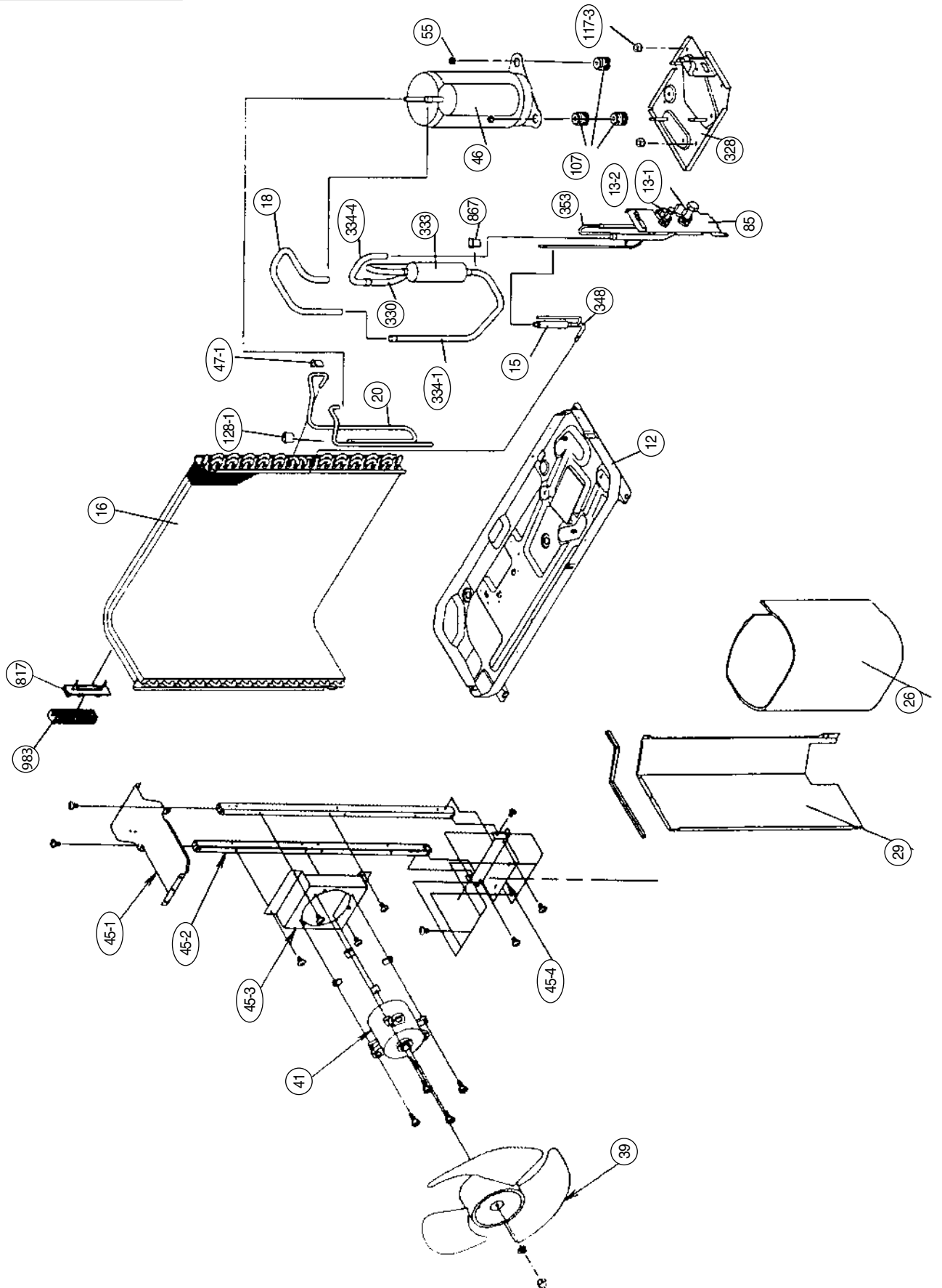
**Models : AUG25ALD-W, AUG25RLD-W
AUY25ALD-W, AUY25RLD-W
AUG30ALD-W, AUG30RLD-W
AUY30ALD-W, AUY30RLD-W**



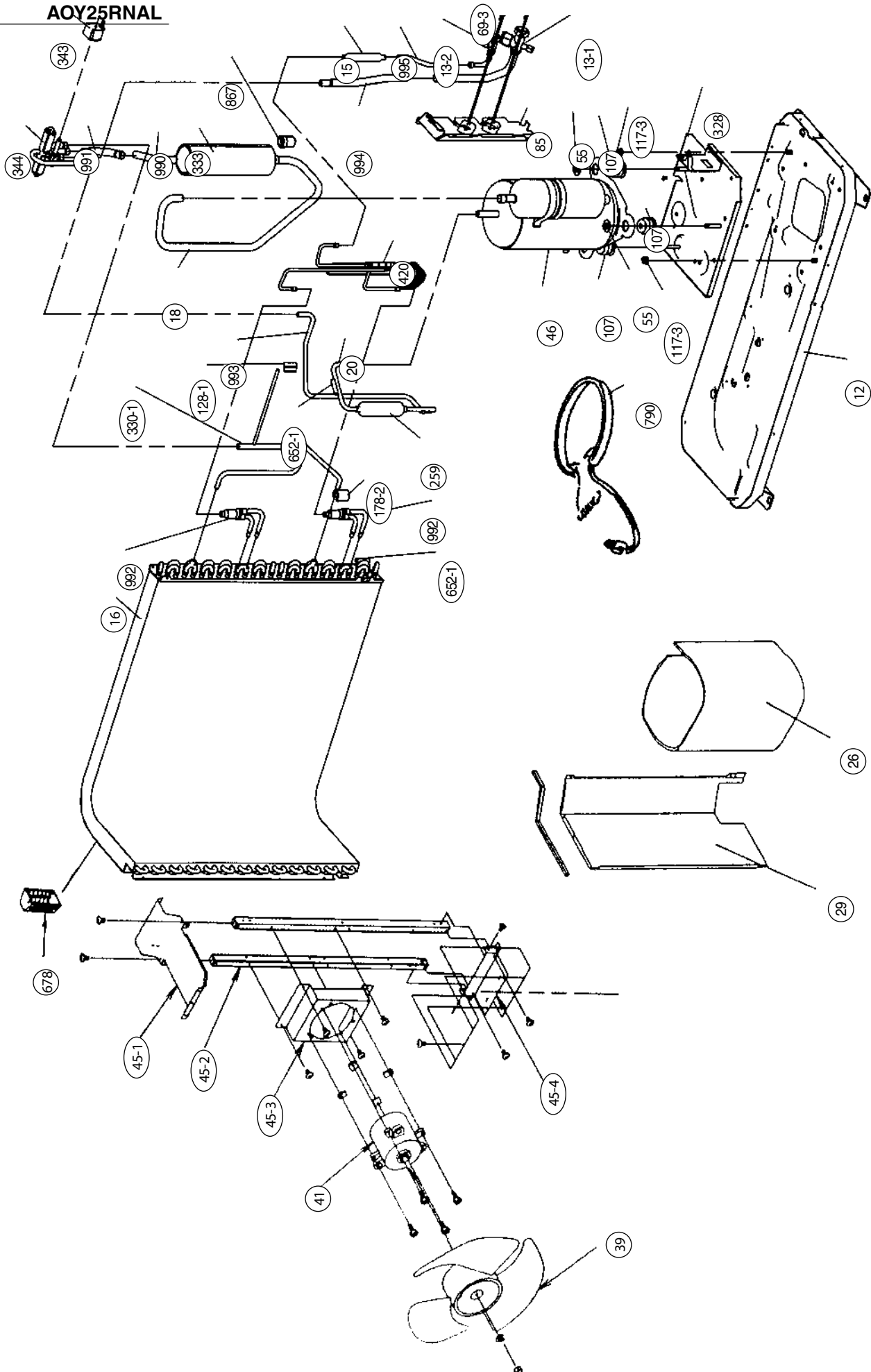
Models : AOG25ANAL, AOG25RNAL
AOY25ANAL, AOY25RNAL



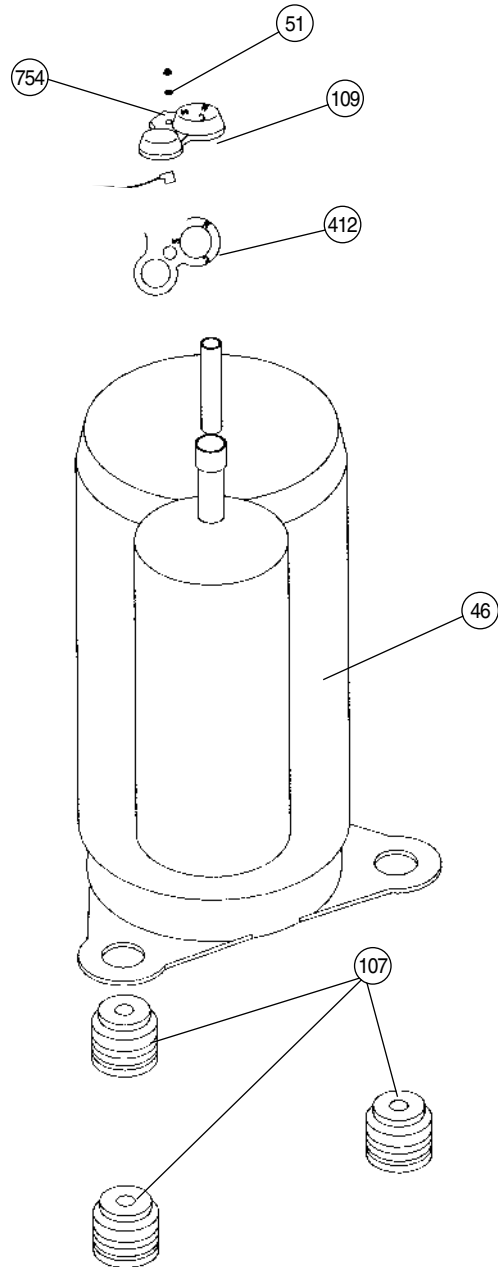
**Models : AOG25ANAL
AOY25ANAL**



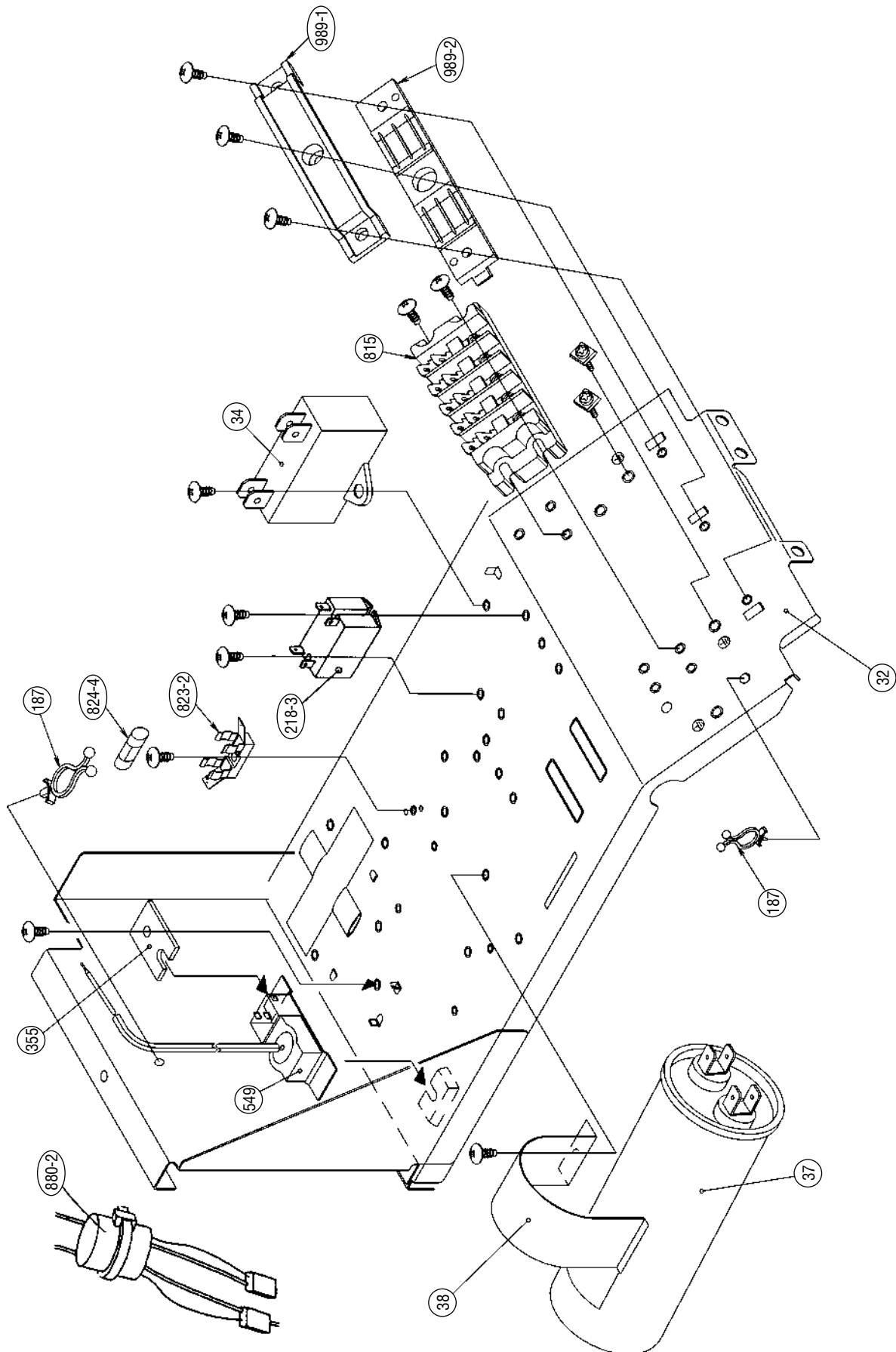
Models : AOG25RNAL
AOY25RNAL



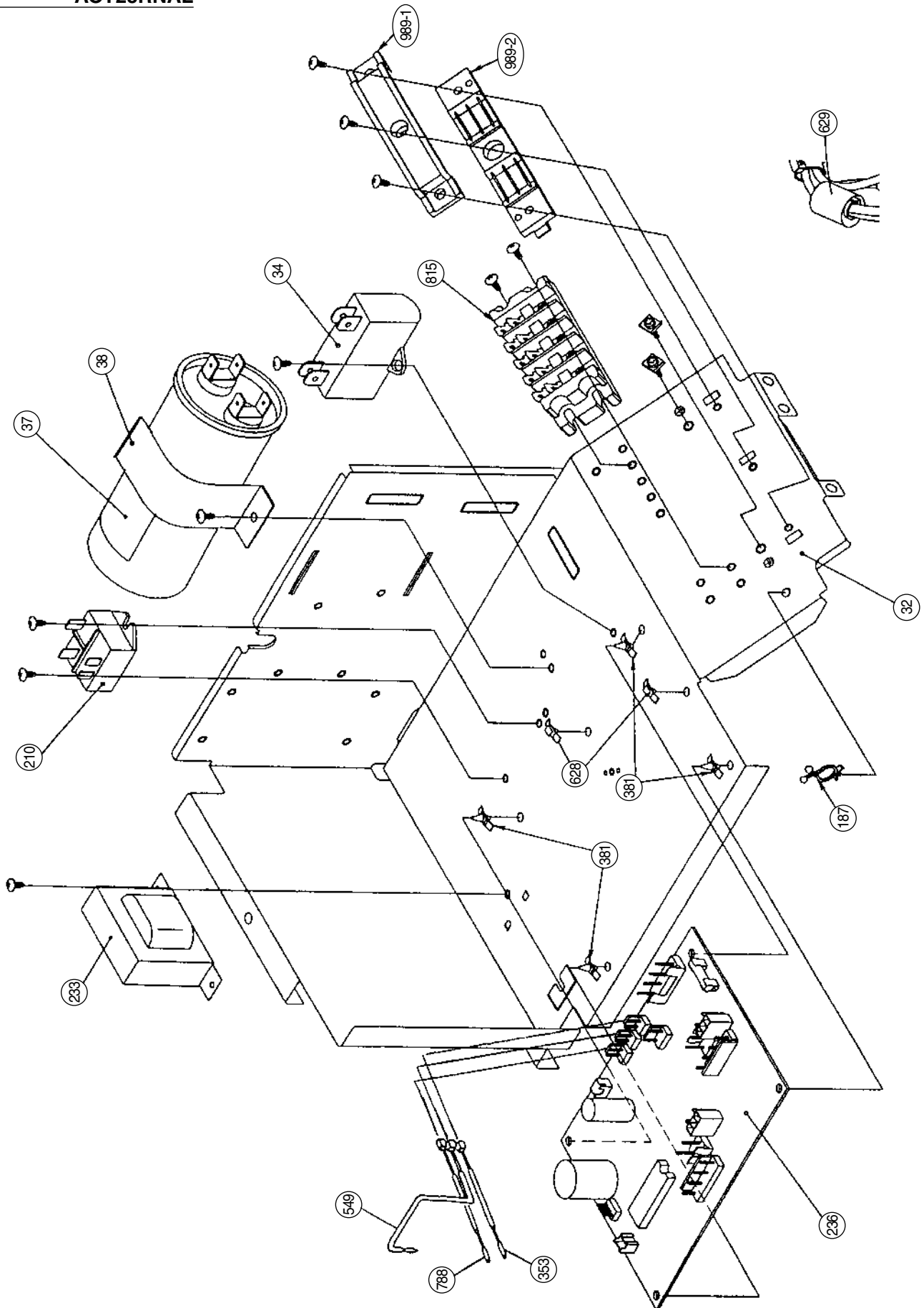
**Models : AOG25ANAL, AOG25RNAL
AOY25ANAL, AOY25RNAL**



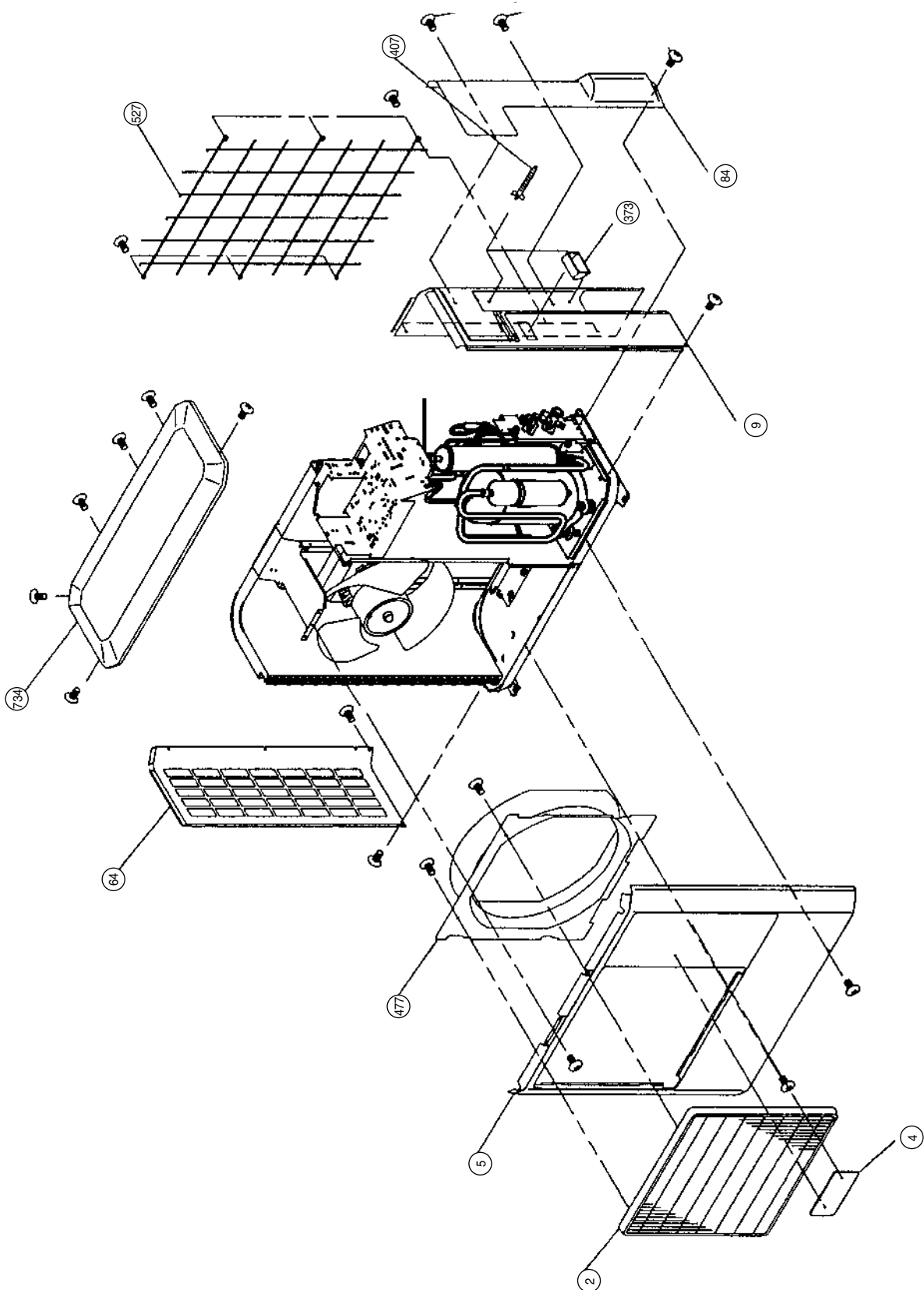
Models : AOG25ANAL
AOY25ANAL



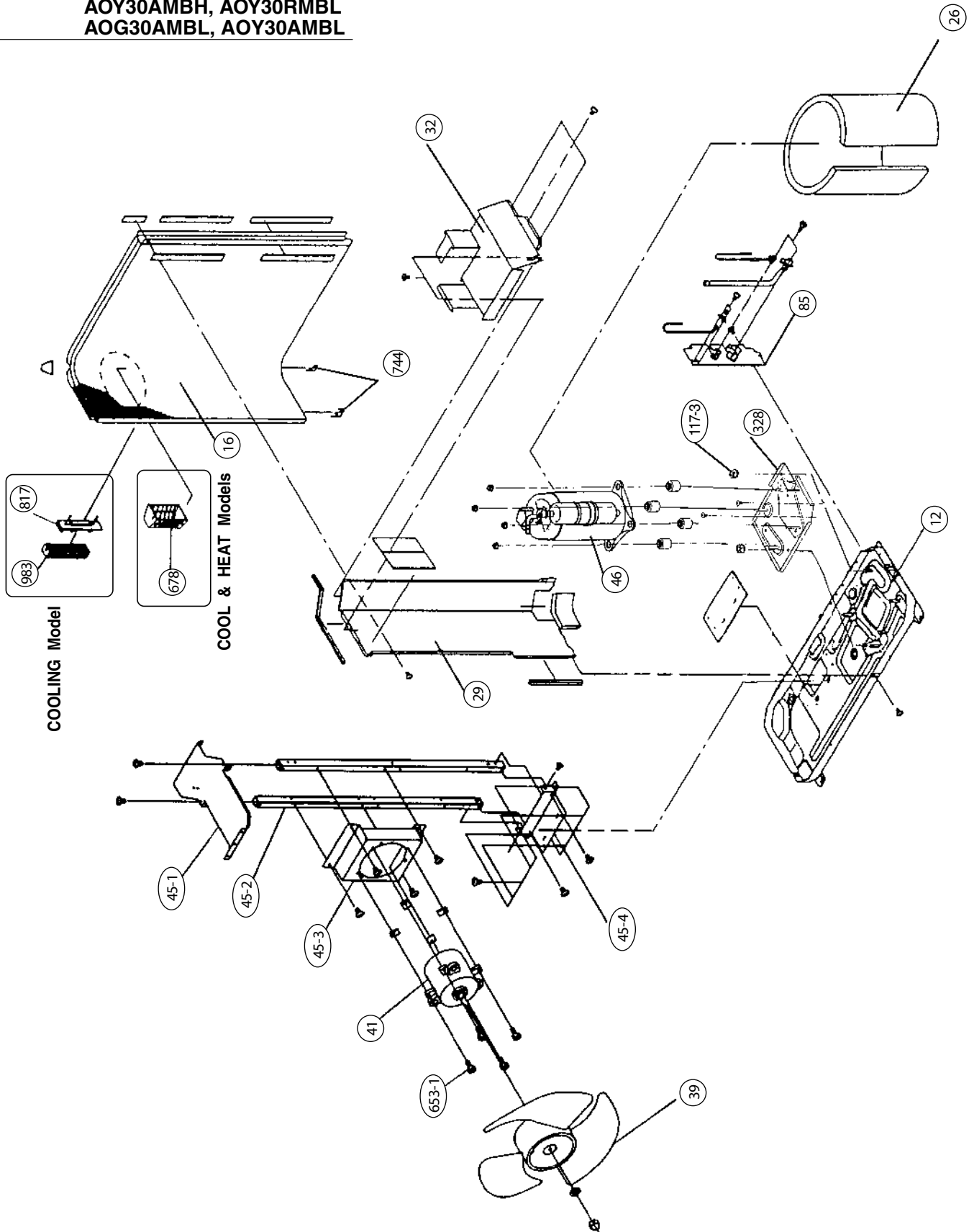
Models : AOG25RNAL
AOY25RNAL



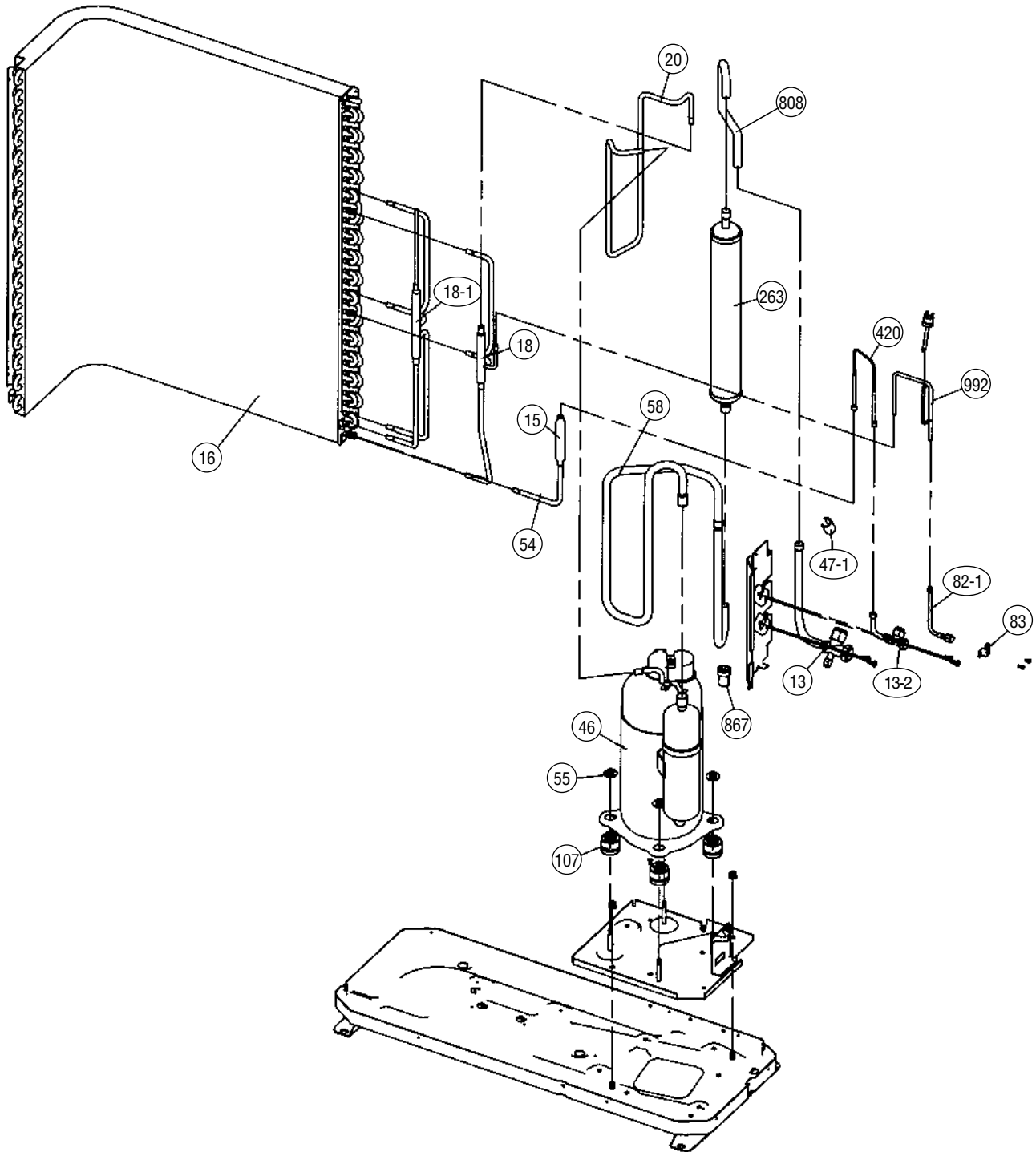
Models : AOG30AMBH, AOG30RMBL
AOY30AMBH, AOY30RMBL
AOG30AMBL, AOY30AMBL



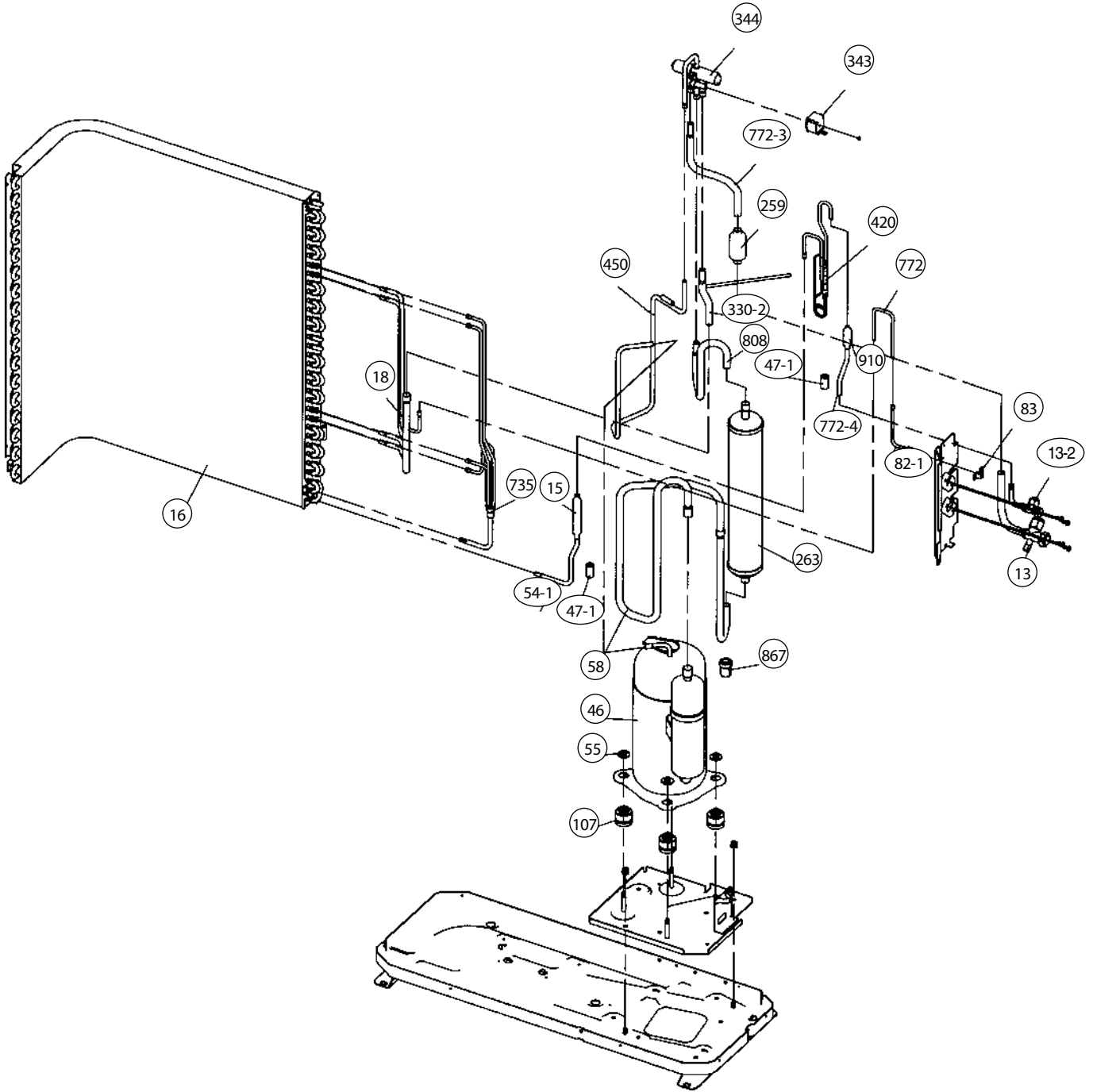
Models : AOG30AMBH, AOG30RMBL
 AOY30AMBH, AOY30RMBL
 AOG30AMBL, AOY30AMBL



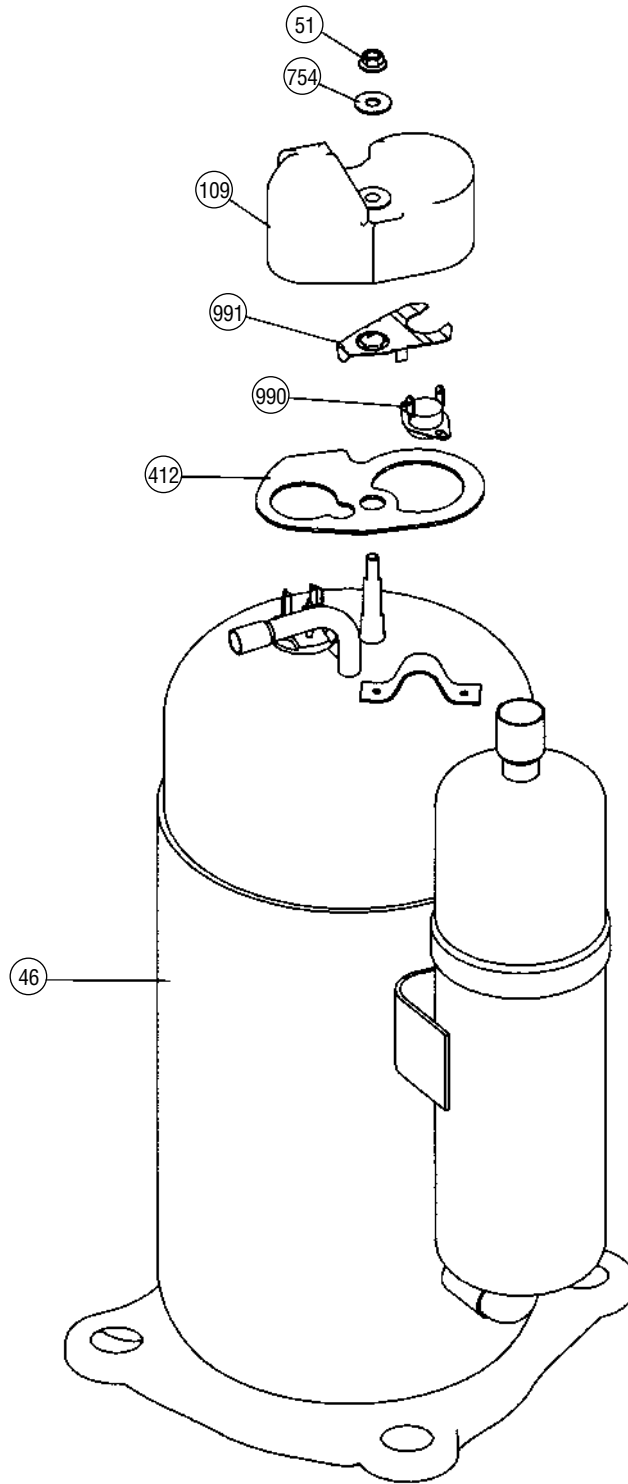
Models : AOG30AMBH
AOY30AMBH



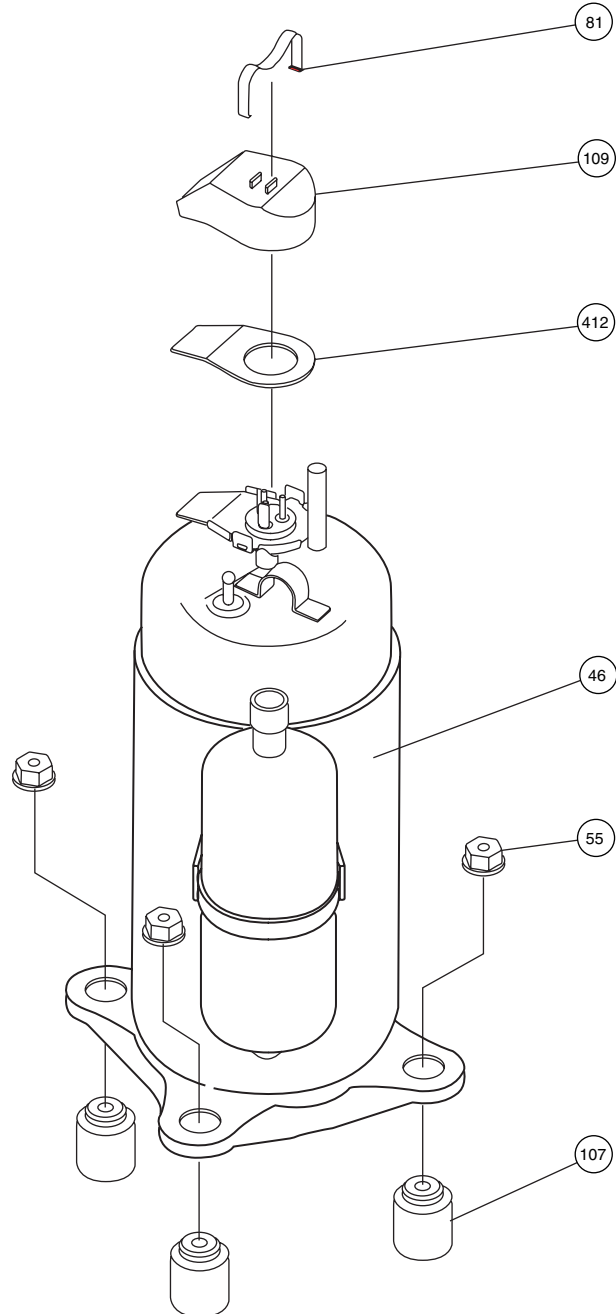
Models : AOG30RMBL
AOY30RMBL



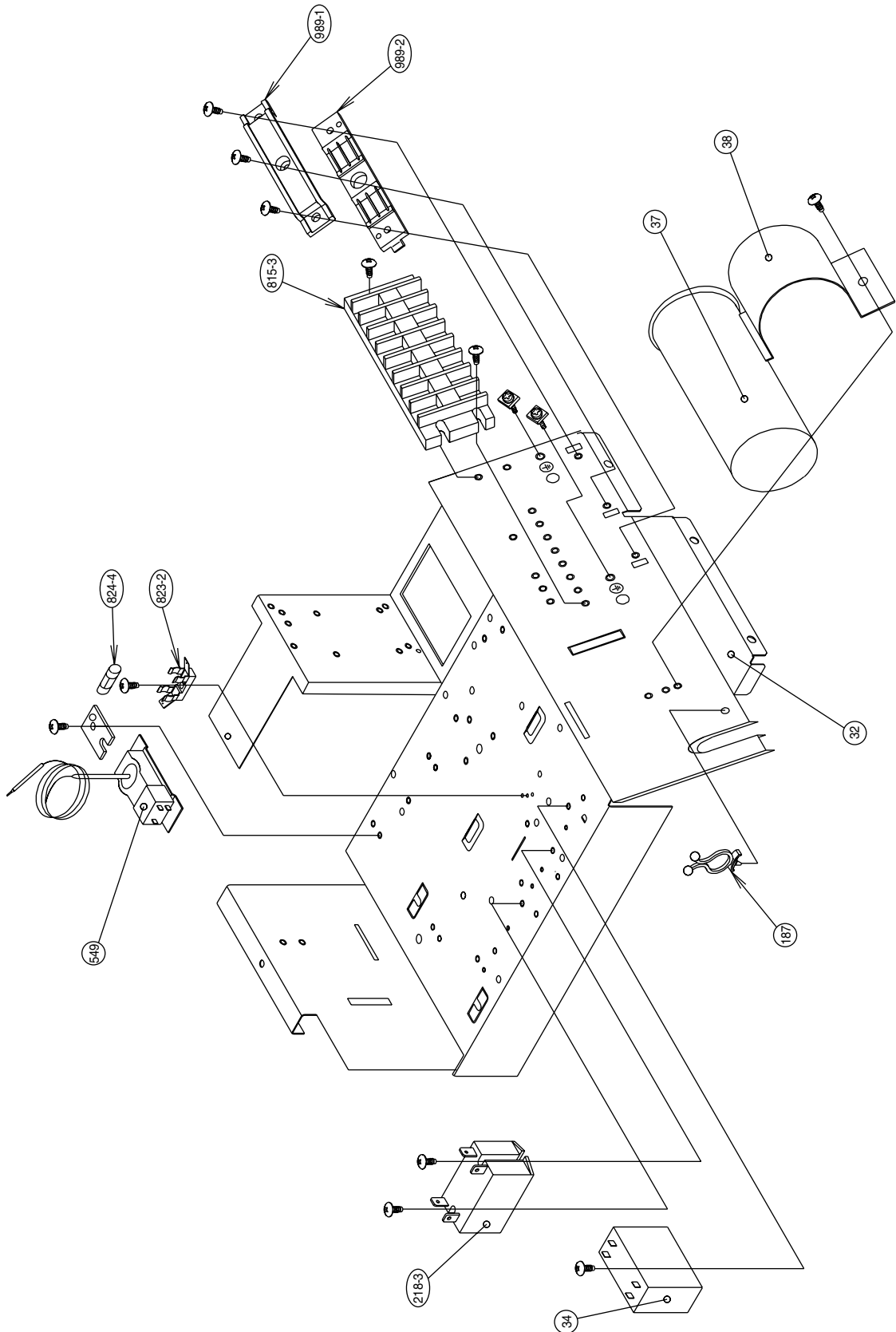
Modes : AOG30AMBH
AOY30AMBH



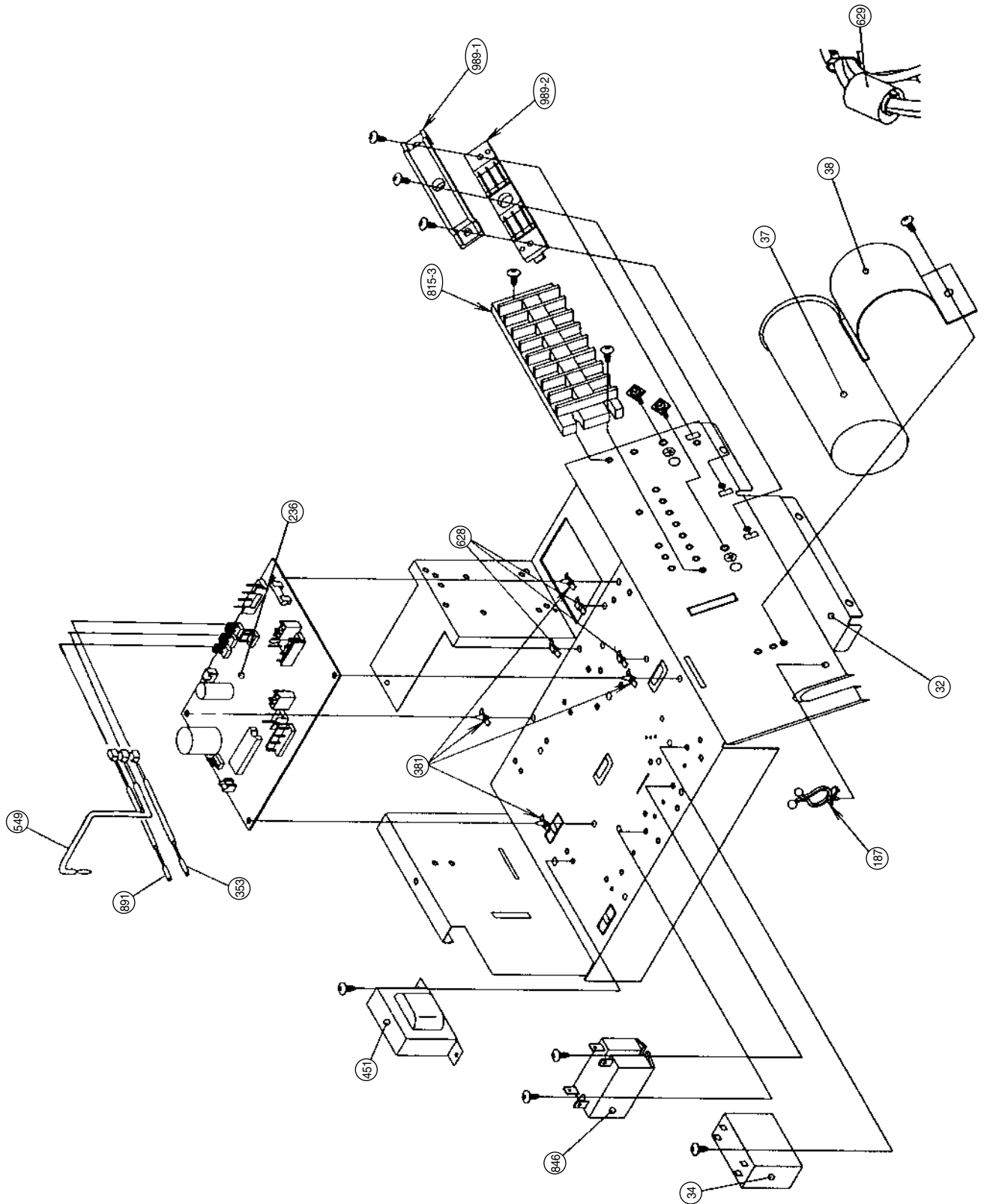
Modes : AOG30AMBL, AOY30AMBL
AOG30RMBL, AOY30RMBL



Modes : AOG30AMBL, AOY30AMBL
AOG30AMBH, AOY30AMBH



Modes : AOG30RMBL
AOY30RMBL



PARTS LIST

When you order parts, please make a photocopy of this page and fill the number of the parts in the "Order" column.

INDOOR UNIT

Ref. No.	Description	Part No.				Ord. Qty
		AUG25AGB-W	AUY25AGB-W	AUG30AGB-W	AUY30AGB-W	
34	Capacitor (Fan Motor)	9703306068	9703306068	9703306068	9703306068	
61	Decoration Plate	9365276013	9365652008	9365276013	9365652008	
71	Grille Hook Holder	9362782005	9362782005	9362782005	9362782005	
93	Filter	9362766005	9362766005	9362766005	9362766005	
117-3	Hex. Nut w/Spring Washer	301721180114	301721180114	301721180114	301721180114	
122	Louver Support Holder	9362799003	9362799003	9362799003	9362799003	
127	Drain Hose	9365074008	9365074008	9365074008	9365074008	
138	Separate Wall	9362793001	9362793001	9362793001	9362793001	
143-3	Clamp NK-6N	9305657001	9305657001	9305657001	9305657001	
146 -1	Evaporator-A Assy	9368196004	9368196004	9369827006	9369827006	
146 -2	Evaporator-B Assy	9368197001	9368197001	9369828003	9369828003	
155	Special Nut M6	9307615016	9307615016	9307615016	9307615016	
160	Drain Pan Assy	9362804004	9362804004	9362804004	9362804004	
164	Fan Motor Assy-In	9601558019	9601558019	9601558019	9601558019	
168	Cabinet-E	9362735001	9362735001	9362735001	9362735001	
184-1	Thermostat Spring-A	313728262708	313728262708	313728262708	313728262708	
187	Clamp No.1219	313361271706	313361271706	313361271706	313361271706	
195	Clamp SKB-100	313361275805	313361275805	313361275805	313361275805	
197	Wind Guide Board	9363117004	9363117004	9363117004	9363117004	
223	Control Box	9362762007	9362762007	9362762007	9362762007	
226	Motor Gear	9362764001	9362764001	9362764001	9362764001	
234	Thermistor Assy-Room	9703299025	9703299025	9703299025	9703299025	
235	Thermistor Assy-Pipe	9703297014	9703297014	9703297014	9703297014	
236	Controller PCB Assy	9704557186	9704557186	9704557285	9704557285	
240	Remote Control Unit	9359913047	9359913047	9359913047	9359913047	
244	Pipe Cover	9362748001	9362748001	9362748001	9362748001	
329	Coupling Pipe Assy	9368204006	9368204006	9368204006	9368204006	
337-1	Reinforcement (Eva.)-A	9362749008	9362749008	9362749008	9362749008	
337-2	Reinforcement (Eva.)-B	9362750004	9362750004	9362750004	9362750004	
338	Motor Holder	9362765008	9362765008	9362765008	9362765008	
381	Locking Spacer	313209391506	313209391506	313209391506	313209391506	
385	Indicator PCB Assy	9704017017	9704017017	9704017017	9704017017	
457	Reinforcement (Drain Pan)	9362757003	9362757003	9362757003	9362757003	
460-1	Pump Cover-A	9362775007	9362775007	9362775007	9362775007	
460-2	Pump Cover-B	9362776004	9362776004	9362776004	9362776004	
462	Top Cover Plate Assy	9362806022	9362806022	9362806022	9362806022	
464	Cabinet-A Assy	9362807012	9362807012	9362807012	9362807012	
465	Cabinet-B Assy	9362808019	9362808019	9362808019	9362808019	
467	Drain Port	9362786003	9362786003	9362786003	9362786003	
468	Special Nut-A (Large)	313005446653	313005446653	313005446653	313005446653	
469	Special Nut-B (Small)	313005446759	313005446759	313005446759	313005446759	
472-1	Grille Reinforcement-A	9362738002	9362738002	9362738002	9362738002	
472-2	Grille Reinforcement-B	9362739009	9362739009	9362739009	9362739009	
472-3	Grille Reinforcement-C	9362740005	9362740005	9362740005	9362740005	
472-4	Grille Reinforcement-D	9362741002	9362741002	9362741002	9362741002	
472-5	Grille Reinforcement-E	9362742009	9362742009	9362742009	9362742009	
474	Turbo Fan Assy	9362810012	9362810012	9362810012	9362810012	
476-2	Special Washer	9362756006	9362756006	9362756006	9362756006	
477	Bellmouth (B)	9362774000	9362774000	9362774000	9362774000	
479	Float Switch	9703285004	9703285004	9703285004	9703285004	
481	Insulation (Grille)-A	9362780001	9362780001	9362780001	9362780001	
481-1	Insulation (Grille)-B	9362781008	9362781008	9362781008	9362781008	
482	Pump Unit	9703125010	9703125010	9703125010	9703125010	
484	Hook	9362736008	9362736008	9362736008	9362736008	
487	Grille Hinge Wire	9362754002	9362754002	9362754002	9362754002	
488	Drain Pan Plug	313005174654	313005174654	313005174654	313005174654	
514	Control Box Cover	9362763004	9362763004	9362763004	9362763004	
522	Joint Gear	9362772006	9362772006	9362772006	9362772006	
541	Terminal Plate	9363642001	9363642001	9363642001	9363642001	
542	Panel Base	9362759014	9362759014	9362759014	9362759014	

When you order parts, please make a photocopy of this page and fill the number of the parts in the "Order" column.

INDOOR UNIT (Continued)

Ref. No.	Description	Part No.				Ord. Qty
		AUG25AGB-W	AUJ25AGB-W	AUG30AGB-W	AUJ30AGB-W	
543	Panel Frame Holder	9362761017	9362761017	9362761017	9362761017	
544	Panel Base Holder	9362760010	9362760010	9362760010	9362760010	
545	Panel Frame	9362758017	9362758017	9362758017	9362758017	
563	Insulation (Inner Box)	9362797009	9362797009	9362797009	9362797009	
565	Evaporator Holder Assy	9362802024	9362802024	9362802024	9362802024	
628	Locking Spacer-B	313005446558	313005446558	313005446558	313005446558	
690	Joint-A	9362773003	9362773003	9362773003	9362773003	
692	Joint Shaft	9362771009	9362771009	9362771009	9362771009	
705	Louver	9362769013	9362769013	9362769013	9362769013	
710	Intake Grille	9362767019	9362767019	9362767019	9362767019	
735	Distributor Assy	9368198008	9368198008	9368198008	9368198008	
743	Remote control Unit Holder Case	9359955016	9359955016	9359955016	9359955016	
777-1	Grille Hook-A	9362779012	9362779012	9362779012	9362779012	
777-2	Grille Hook-B	9362778015	9362778015	9362778015	9362778015	
798	Pump Hook Bracket	9362753005	9362753005	9362753005	9362753005	
803	Cabinet-D	9362792004	9362792004	9362792004	9362792004	
814	Cabinet-C	9362791007	9362791007	9362791007	9362791007	
815-1	Terminal-3P	9306489069	9306489069	9306489069	9306489069	
824-3	Fuse	0600222512	0600222512	0600222512	0600222512	
834-1	Wire Cover-A	9362789004	9362789004	9362789004	9362789004	
834-2	Wire Cover-B	9362788007	9362788007	9362788007	9362788007	
835	Cushion Rubber (Pump)	9362777001	9362777001	9362777001	9362777001	
847	Louver Supporter	9362770019	9362770019	9362770019	9362770019	
858	Grille Spring	9362755009	9362755009	9362755009	9362755009	
868	Holder (PCB)	9364855004	9364855004	9364855004	9364855004	
875	Filter PCB Assy	9704561107	9704561107	9704561107	9704561107	
876-2	Step Motor	9360307019	9360307019	9360307019	9360307019	
903	Rubber (Vibration-proof)-A	9364891002	9364891002	9364891002	9364891002	
904	Rubber (Vibration-proof)-B	9364892009	9364892009	9364892009	9364892009	
982-1	Cord Clamp	9356857009	9356857009	9356857009	9356857009	
998	Bypass Pipe-A	9368207007	9368207007	9368207007	9368207007	
999	Bypass Pipe-B	9368208004	9368208004	9368208004	9368208004	

INDOOR UNIT

When you order parts, please make a photocopy of this page and fill the number of the parts in the "Order" column.

Ref. No.	Description	Part No.				Ord. Qty
		AUG25ALD-W	AUY25ALD-W	AUG30ALD-W	AUY30ALD-W	
34	Capacitor (Fan Motor)	9703306068	9703306068	9703306068	9703306068	
61	Decoration Plate	9363131000	9362787000	9363131000	9362787000	
71	Grille Hook Holder	9362782005	9362782005	9362782005	9362782005	
93	Filter	9362766005	9362766005	9362766005	9362766005	
117-3	Hex. Nut w/Spring Washer	301721180114	301721180114	301721180114	301721180114	
122	Louver Support Holder	9362799003	9362799003	9362799003	9362799003	
127	Drain Hose	9365074008	9365074008	9365074008	9365074008	
138	Separate Wall	9362793001	9362793001	9362793001	9362793001	
143-1	Clamp NK-3N	313361274700	313361274700	313361274700	313361274700	
143-3	Clamp NK-6N	9305657001	9305657001	9305657001	9305657001	
146-1	Evaporator-A Assy	9368196004	9368196004	9369827006	9369827006	
146-2	Evaporator-B Assy	9368197001	9368197001	9369828003	9369828003	
155	Special Nut M6	9307615016	9307615016	9307615016	9307615016	
160	Drain Pan Assy	9362804004	9362804004	9362804004	9362804004	
164	Fan Motor Assy-In	9601558019	9601558019	9601558019	9601558019	
168	Cabinet-E	9362735001	9362735001	9362735001	9362735001	
184-1	Thermostat Spring-A	313728262708	313728262708	313728262708	313728262708	
187	Clamp No.1219	313361271706	313361271706	313361271706	313361271706	
195	Clamp SKB-100	313361275805	313361275805	313361275805	313361275805	
197	Wind Guide Board	9363117004	9363117004	9363117004	9363117004	
223	Control Box	9362762007	9362762007	9362762007	9362762007	
226	Motor Gear	9362764001	9362764001	9362764001	9362764001	
234	Thermistor Assy-Room	9703299025	9703299025	9703299025	9703299025	
235	Thermistor Assy-Pipe	9703297014	9703297014	9703297014	9703297014	
236	Controller PCB Assy	9704557339	9704557339	9704557292	9704557292	
240	Remote Control Unit	9703173028	9703173028	9703173028	9703173028	
244	Pipe Cover	9362748001	9362748001	9362748001	9362748001	
245	Cable Clamp	313714181904	313714181904	313714181904	313714181904	
329	Coupling Pipe Assy	9362763004	9362763004	9362763004	9362763004	
337-1	Reinforcement (Eva.)-A	9362749008	9362749008	9362749008	9362749008	
337-2	Reinforcement (Eva.)-B	9362750004	9362750004	9362750004	9362750004	
338	Motor Holder	9362765008	9362765008	9362765008	9362765008	
381	Locking Spacer	313209391506	313209391506	313209391506	313209391506	
457	Reinforcement (Drain Pan)	9362757003	9362757003	9362757003	9362757003	
460-1	Pump Cover-A	9362775007	9362775007	9362775007	9362775007	
460-2	Pump Cover-B	9362776004	9362776004	9362776004	9362776004	
462	Top Cover Plate Assy	9362806022	9362806022	9362806022	9362806022	
464	Cabinet-A Assy	9362807012	9362807012	9362807012	9362807012	
465	Cabinet-B Assy	9362808019	9362808019	9362808019	9362808019	
467	Drain Port	9362786003	9362786003	9362786003	9362786003	
468	Special Nut-A (Large)	313005446653	313005446653	313005446653	313005446653	
469	Special Nut-B (Small)	313005446759	313005446759	313005446759	313005446759	
472-1	Grille Reinforcement-A	9362738002	9362738002	9362738002	9362738002	
472-2	Grille Reinforcement-B	9362739009	9362739009	9362739009	9362739009	
472-3	Grille Reinforcement-C	9362740005	9362740005	9362740005	9362740005	
472-4	Grille Reinforcement-D	9362741002	9362741002	9362741002	9362741002	
472-5	Grille Reinforcement-E	9362742009	9362742009	9362742009	9362742009	
474	Turbo Fan Assy	9362810012	9362810012	9362810012	9362810012	
476-2	Special Washer	9362756006	9362756006	9362756006	9362756006	
477	Bellmouth (B)	9362774000	9362774000	9362774000	9362774000	
479	Float Switch	9703285004	9703285004	9703285004	9703285004	
481	Insulation (Grille)-A	9362780001	9362780001	9362780001	9362780001	
481-1	Insulation (Grille)-B	9362781008	9362781008	9362781008	9362781008	
482	Pump Unit	9703125010	9703125010	9703125010	9703125010	
484	Hook	9362736008	9362736008	9362736008	9362736008	
487	Grille Hinge Wire	9362754002	9362754002	9362754002	9362754002	
488	Drain Pan Plug	313005174654	313005174654	313005174654	313005174654	
514	Control Box Cover	9362763004	9362763004	9362763004	9362763004	
522	Joint Gear	9362772006	9362772006	9362772006	9362772006	
541	Terminal Plate	9363642001	9363642001	9363642001	9363642001	

INDOOR UNIT (Continued)

When you order parts, please make a photocopy of this page and fill the number of the parts in the "Order" column.

Ref. No.	Description	Part No.				Ord. Qty
		AUG25ALD-W	AU25ALD-W	AUG30ALD-W	AU30ALD-W	
542	Panel Base	9362759014	9362759014	9362759014	9362759014	
543	Panel Frame Holder	9362761017	9362761017	9362761017	9362761017	
544	Panel Base Holder	9362760010	9362760010	9362760010	9362760010	
545	Panel Frame	9362758017	9362758017	9362758017	9362758017	
563	Insulation (Inner Box)	9362797009	9362797009	9362797009	9362797009	
565	Evaporator Holder Assy	9362802024	9362802024	9362802024	9362802024	
628	Locking Spacer-B	313005446558	313005446558	313005446558	313005446558	
629	EMI Filter	0400247074	0400247074	0400247074	0400247074	
690	Joint-A	9362773003	9362773003	9362773003	9362773003	
692	Joint Shaft	9362771009	9362771009	9362771009	9362771009	
705	Louver	9362769013	9362769013	9362769013	9362769013	
710	Intake Grille	9362767019	9362767019	9362767019	9362767019	
735	Distributor Assy	9368198008	9368198008	9368198008	9368198008	
777-1	Grille Hook-A	9362779012	9362779012	9362779012	9362779012	
777-2	Grille Hook-B	9362778015	9362778015	9362778015	9362778015	
798	Pump Hook Bracket	9362753005	9362753005	9362753005	9362753005	
803	Cabinet-D	9362792004	9362792004	9362792004	9362792004	
814	Cabinet-C	9362791007	9362791007	9362791007	9362791007	
815-1	Terminal-3P	9306489069	9306489069	9306489069	9306489069	
815-2	Terminal-3P	9703345012	9703345012	9703345012	9703345012	
824-3	Fuse	0600222512	0600222512	0600222512	0600222512	
834-1	Wire Cover-A	9362789004	9362789004	9362789004	9362789004	
834-2	Wire Cover-B	9362788007	9362788007	9362788007	9362788007	
835	Cushion Rubber (Pump)	9362777001	9362777001	9362777001	9362777001	
847	Louver Supporter	9362770019	9362770019	9362770019	9362770019	
858	Grille Spring	9362755009	9362755009	9362755009	9362755009	
875	Filter PCB Assy	9704561107	9704561107	9704561107	9704561107	
876-2	Step Motor	9360307019	9360307019	9360307019	9360307019	
903	Rubber (Vibration-proof) A	9364891002	9364891002	9364891002	9364891002	
904	Rubber (Vibration-proof) B	9364892009	9364892009	9364892009	9364892009	
982-1	Cord Clamp	9356857009	9356857009	9356857009	9356857009	
998	Bypass Pipe-A	9368207007	9368207007	9368207007	9368207007	
999	Bypass Pipe-B	9368208004	9368208004	9368208004	9368208004	

INDOOR UNIT

Ref. No.	Description	Part No.				Ord.
		AUG25RLD-W	AUY25RLD-W	AUG30RLD-W	AUY30RLD-W	Qty
34	Capacitor (Fan Motor)	9703306068	9703306068	9703306068	9703306068	
61	Decoration Plate	9363131000	9362787000	9363131000	9362787000	
71	Grille Hook Holder	9362782005	9362782005	9362782005	9362782005	
93	Filter	9362766005	9362766005	9362766005	9362766005	
117-3	Hex. Nut w/Spring Washer	301721180114	301721180114	301721180114	301721180114	
122	Louver Support Holder	9362799003	9362799003	9362799003	9362799003	
127	Drain Hose	9365074008	9365074008	9365074008	9365074008	
138	Separate Wall	9362793001	9362793001	9362793001	9362793001	
143-1	Clamp NK-3N	313361274700	313361274700	313361274700	313361274700	
143-3	Clamp NK-6N	9305657001	9305657001	9305657001	9305657001	
146-1	Evaporator-A Assy	9368196004	9368196004	9369827006	9369827006	
146-2	Evaporator-B Assy	9368197001	9368197001	9369828003	9369828003	
155	Special Nut M6	9307615016	9307615016	9307615016	9307615016	
160	Drain Pan Assy	9362804004	9362804004	9362804004	9362804004	
164	Fan Motor Assy-In	9601558019	9601558019	9601558019	9601558019	
168	Cabinet-E	9362735001	9362735001	9362735001	9362735001	
184-1	Thermostat Spring-A	313728262708	313728262708	313728262708	313728262708	
187	Clamp No.1219	313361271706	313361271706	313361271706	313361271706	
195	Clamp SKB-100	313361275805	313361275805	313361275805	313361275805	
197	Wind Guide Board	9363117004	9363117004	9363117004	9363117004	
223	Control Box	9362762007	9362762007	9362762007	9362762007	
226	Motor Gear	9362764001	9362764001	9362764001	9362764001	
234	Thermistor Assy-Room	9703299025	9703299025	9703299025	9703299025	
235	Thermistor Assy-Pipe	9703297014	9703297014	9703297014	9703297014	
236	Controller PCB Assy	9704557193	9704557193	9704557209	9704557209	
240	Remote Control Unit	9371438016	9371438016	9371438016	9371438016	
244	Pipe Cover	9362748001	9362748001	9362748001	9362748001	
245	Cable Clamp	313714181904	313714181904	313714181904	313714181904	
329	Coupling Pipe Assy	9368204006	9368204006	9368204006	9368204006	
337-1	Reinforcement (Eva.)-A	9362749008	9362749008	9362749008	9362749008	
337-2	Reinforcement (Eva.)-B	9362750004	9362750004	9362750004	9362750004	
338	Motor Holder	9362765008	9362765008	9362765008	9362765008	
381	Locking Spacer	313209391506	313209391506	313209391506	313209391506	
457	Reinforcement (Drain Pan)	9362757003	9362757003	9362757003	9362757003	
460-1	Pump Cover-A	9362775007	9362775007	9362775007	9362775007	
460-2	Pump Cover-B	9362776004	9362776004	9362776004	9362776004	
462	Top Cover Plate Assy	9362806022	9362806022	9362806022	9362806022	
464	Cabinet-A Assy	9362807012	9362807012	9362807012	9362807012	
465	Cabinet-B Assy	9362808019	9362808019	9362808019	9362808019	
467	Drain Port	9362786003	9362786003	9362786003	9362786003	
468	Special Nut-A (Large)	313005446653	313005446653	313005446653	313005446653	
469	Special Nut-B (Small)	313005446759	313005446759	313005446759	313005446759	
472-1	Grille Reinforcement-A	9362738002	9362738002	9362738002	9362738002	
472-2	Grille Reinforcement-B	9362739009	9362739009	9362739009	9362739009	
472-3	Grille Reinforcement-C	9362740005	9362740005	9362740005	9362740005	
472-4	Grille Reinforcement-D	9362741002	9362741002	9362741002	9362741002	
472-5	Grille Reinforcement-E	9362742009	9362742009	9362742009	9362742009	
474	Turbo Fan Assy	9362810012	9362810012	9362810012	9362810012	
476-2	Special Washer	9362756006	9362756006	9362756006	9362756006	
477	Bellmouth (B)	9362774000	9362774000	9362774000	9362774000	
479	Float Switch	9703285004	9703285004	9703285004	9703285004	
481	Insulation (Grille)-A	9362780001	9362780001	9362780001	9362780001	
481-1	Insulation (Grille)-B	9362781008	9362781008	9362781008	9362781008	
482	Pump Unit	9703125010	9703125010	9703125010	9703125010	
484	Hook	9362736008	9362736008	9362736008	9362736008	
487	Grille Hinge Wire	9362754002	9362754002	9362754002	9362754002	
488	Drain Pan Plug	313005174654	313005174654	313005174654	313005174654	
514	Control Box Cover	9362763004	9362763004	9362763004	9362763004	
522	Joint Gear	9362772006	9362772006	9362772006	9362772006	
541	Terminal Plate	9363642001	9363642001	9363642001	9363642001	

INDOOR UNIT (Continued)

When you order parts, please make a photocopy of this page and fill the number of the parts in the "Order" column.

Ref. No.	Description	Part No.				Ord.
		AUG25RLD-W	AUY25RLD-W	AUG30RLD-W	AUY30RLD-W	Qty
542	Panel Base	9362759014	9362759014	9362759014	9362759014	
543	Panel Frame Holder	9362761017	9362761017	9362761017	9362761017	
544	Panel Base Holder	9362760010	9362760010	9362760010	9362760010	
545	Panel Frame	9362758017	9362758017	9362758017	9362758017	
563	Insulation (Inner Box)	9362797009	9362797009	9362797009	9362797009	
565	Evaporator Holder Assy	9362802024	9362802024	9362802024	9362802024	
628	Locking Spacer-B	313005446558	313005446558	313005446558	313005446558	
629	EMI Filter	0400247074	0400247074	0400247074	0400247074	
690	Joint-A	9362773003	9362773003	9362773003	9362773003	
692	Joint Shaft	9362771009	9362771009	9362771009	9362771009	
705	Louver	9362769013	9362769013	9362769013	9362769013	
710	Intake Grille	9362767019	9362767019	9362767019	9362767019	
735	Distributor Assy	9368198008	9368198008	9368198008	9368198008	
777-1	Grille Hook-A	9362779012	9362779012	9362779012	9362779012	
777-2	Grille Hook-B	9362778015	9362778015	9362778015	9362778015	
798	Pump Hook Bracket	9362753005	9362753005	9362753005	9362753005	
803	Cabinet-D	9362792004	9362792004	9362792004	9362792004	
814	Cabinet-C	9362791007	9362791007	9362791007	9362791007	
815-1	Terminal-3P	9306489069	9306489069	9306489069	9306489069	
815-2	Terminal-3P	9703345012	9703345012	9703345012	9703345012	
824-3	Fuse	0600222512	0600222512	0600222512	0600222512	
834-1	Wire Cover-A	9362789004	9362789004	9362789004	9362789004	
834-2	Wire Cover-B	9362788007	9362788007	9362788007	9362788007	
835	Cushion Rubber (Pump)	9362777001	9362777001	9362777001	9362777001	
847	Louver Supporter	9362770019	9362770019	9362770019	9362770019	
858	Grille Spring	9362755009	9362755009	9362755009	9362755009	
875	Filter PCB Assy	9704561091	9704561091	9704561091	9704561091	
876-2	Step Motor	9360307019	9360307019	9360307019	9360307019	
903	Rubber (Vibration-proof) A	9364891002	9364891002	9364891002	9364891002	
904	Rubber (Vibration-proof) B	9364892009	9364892009	9364892009	9364892009	
982-1	Cord Clamp	9356857009	9356857009	9356857009	9356857009	
998	Bypass Pipe-A	9368207007	9368207007	9368207007	9368207007	
999	Bypass Pipe-B	9368208004	9368208004	9368208004	9368208004	

OUTDOOR UNIT

Ref. No.	Description	Part No.		Ord. Qty
		AOG25ANAL	AOY25ANAL	
2	Fan Cover (Guard)	9371187013	9371187013	
4	Emblem-Rear	313791088308	9359836018	
5	Cabinet-A, Painted	9359797043	9359797043	
7	Connector Cover (Panel, Top)	9358011010	9358011010	
9	Cabinet-B, Painted	9361323025	9361323025	
12	Base Assy, Painted	9359813019	9359813019	
13-1	Packed Valve (5/8)	9365096000	9365096000	
13-2	Packed Valve (3/8)	9360150004	9360150004	
15	Dryer Assy	9368111014	9368111014	
16	Condenser Assy	9365134009	9365134009	
18	Suction Pipe-A	9365095003	9365095003	
20	Discharge Pipe	9365130001	9365130001	
26	Compressor Cover-A	9365154007	9365154007	
29	Separate Wall	9359805014	9359805014	
32	Control Box Assy	—	—	
32	Control Box Metal	9361409026	9361409026	
34	Capacitor (Fan Motor)	9357965024	9357965024	
37	Running Capacitor	9703107122	9703107122	
38	Capacitor Clamp Metal	9351770013	9351770013	
39	Propeller Fan	9359837015	9359837015	
41	Fan Motor Assy-Out	9601754015	9601754015	
45-1	Motor Bracket	9369627002	9369627002	
45-2	Motor Bracket-B	9371439013	9371439013	
45-3	Motor Bracket-C	9369629006	9369629006	
45-4	Motor Bracket-D	9369630002	9369630002	
46	Compressor Assy	9371447018	9371447018	
47-1	Rubber (Discha. Pipe)	313194159807	313194159807	
51	Special Nut M5 (For Comp.)	9300301015	9300301015	
55	Special Nut M8 (For Comp.)	9355091008	9355091008	
64	Cabinet-Left, Painted	9359840046	9359840046	
69-3	Bolt, Hex. Socket	301210060360	301210060360	
79	Soft Starter	—	—	
84	Valve Cover	9361325012	9361325012	
85	Valve Fixing Plate	9361324015	9361324015	
107	Rubber Seat-A (For Comp.)	9351049010	9351049010	
109	Terminal Cover (For Comp.)	9371511016	9371511016	
117-3	Hexagon Nut (Spring Lock Washer)	301721180114	301721180114	
128-1	Rubber (Discharge Pipe)	313155086308	313155086308	
173	Capacitor (Start)	—	—	
187	Clamp No. 1219	313361271706	313361271706	
218-3	Power Relay	9900074012	9900074012	
328	Compressor Plate Assy	9362273060	9362273060	
330	Suction Pipe-C	9365136003	9365136003	
333	Accumulator	313986117201	313986117201	
334-1	Suction Pipe-B	9365135006	9365135006	
334-4	Suction Pipe-D	9365254004	9365254004	
348	Outlet Pipe Assy	9363041019	9363041019	
353	Capillary (Cool)	9365133002	9365133002	
355	Switch Bracket	313986353607	313986353607	
412	Terminal Gasket (For Comp.)	9371512013	9371512013	
477	Bellmouth	9359809012	9359809012	
527	Protection Net (Condenser)	9359845010	9359845010	
549	Thermostat-Outdoor	9352553004	9352553004	
653-1	Bolt (Fan Motor Fixing)	9385089020	9385089020	
734	Cabinet Top Plate, Painted	9359799023	9359799023	
744	Clamp (Condenser)	313166374106	313166374106	
754	Terminal Gasket Washer (For Comp.)	9351053017	9351053017	
815	Terminal-5P	9356497021	9356497021	
817	Thermostat Fixture	9352164019	9352164019	
823-2	Fuse Holder	0500063024	0500063024	
824-4	Fuse	0600222529	0600222529	
867	Accumulator Holder Rubber	9354022010	9354022010	
880-2	Network	9701020010	9701020010	
983	Thermostat Cover	9358274002	9358274002	
989-1	Cord Clamp-A	9359822011	9359822011	
989-2	Cord Clamp-B	9359823018	9359823018	

OUTDOOR UNIT

Ref. No.	Description	Part No.		Ord. Q'ty
		AOG25RNAL	AOY25RNAL	
2	Fan Cover (Guard)	9371187013	9371187013	
4	Emblem-Rear	313791088308	9359836018	
5	Cabinet-A, Painted	9359797043	9359797043	
7	Connector Cover (Panel, Top)	9358011010	9358011010	
9	Cabinet-B, Painted	9361323025	9361323025	
12	Base Assy, Painted	9359813019	9359813019	
13-1	Packed Valve (5/8)	9365096000	9365096000	
13-2	Packed Valve (3/8)	9360150004	9360150004	
15	Dryer Assy	9368111014	9368111014	
16	Condenser Assy	9365438008	9365438008	
18	Suction Pipe-A	9371297033	9371297033	
20	Discharge Pipe	9371590011	9371590011	
21	Discharge Pipe-B	9371591018	9371591018	
26	Compressor Cover-A	9365154007	9365154007	
29	Separate Wall	9359805014	9359805014	
32	Control Box Assy	9365086001	9365086001	
34	Capacitor (Fan Motor)	9703306051	9703306051	
37	Running Capacitor	9703107122	9703107122	
38	Capacitor Clamp Metal	9365088005	9365088005	
39	Propeller Fan	9359837015	9359837015	
41	Fan Motor Assy-Out	9601754015	9601754015	
45-1	Motor Bracket	9369627002	9369627002	
45-2	Motor Bracket-B	9371439013	9371439013	
45-3	Motor Bracket-C	9369629006	9369629006	
45-4	Motor Bracket-D	9369630002	9369630002	
46	Compressor Assy	9371447018	9371447018	
47-1	Rubber (Discha. Pipe)	313194159807	313194159807	
51	Special Nut M5 (For Comp.)	9300301015	9300301015	
55	Special Nut M8 (For Comp.)	9355091008	9355091008	
64	Cabinet-Left, Painted	9359840046	9359840046	
69-3	Bolt, Hex. Socket	301210060360	301210060360	
79	Soft Starter	—	—	
84	Valve Cover	9361325012	9361325012	
85	Valve Fixing Plate	9361324015	9361324015	
107	Rubber Seat-A (For Comp.)	9351049010	9351049010	
109	Terminal Cover (For Comp.)	9371511016	9371511016	
117-3	Hexagon Nut (Spring Lock Washer)	301721180114	301721180114	
128-1	Rubber (Discharge Pipe)	313155086308	313155086308	
173	Capacitor (Start)	—	—	
178-2	Capillary Holder Rubber	313394274808	313394274808	
187	Clamp No. 1219	313361271706	313361271706	
210	Relay (MAIN)	9353611017	9353611017	
233	Power Transformer	9900039011	9900039011	
236	Controller PCB Assy	9704299055	9704299055	
328	Compressor Plate Assy	9362273060	9362273060	
330-1	Cond. Inlet Pipe Assy	9371299037	9371299037	
259	Muffler	313948083902	313948083902	
333	Accumulator	9368391003	9368391003	
343	Solenoid Coil	9359616108	9359616108	
344	4-Way Valve	9300604017	9300604017	
353	Thermistor (Heat-ex.)	9900043025	9900043025	
381	Locking Spacer	313209391403	313209391403	
412	Terminal Gasket (For Comp.)	9371512013	9371512013	
420	Capillary Assy	9371287027	9371287027	
477	Bellmouth	9359809012	9359809012	
527	Protection Net (Condenser)	9359845010	9359845010	
549	Thermistor (Outdoor)	9900037017	9900037017	
628	Spacer	0600118075	0600118075	
629	EMI Filter 2132-1130	0400056119	0400056119	
629	EMI Filter 1518-0730	0400056133	0400056133	
652-1	Thermostat Holder Pipe	313806262805	313806262805	
653-1	Bolt (Fan Motor Fixing)	9385089020	9385089020	
678	Bracket (Thermistor)	313557406106	313557406106	
734	Cabinet Top Plate, Painted	9359799023	9359799023	
744	Clamp (Condenser)	313166374106	313166374106	
754	Terminal Gasket Washer (For Comp.)	9351053017	9351053017	
788	Thermistor (Discharge)	9900038021	9900038021	
790	Belt Heater	9361140165	9361140165	
815	Terminal-5P	9356497021	9356497021	
867	Accumulator Holder Rubber	9354022010	9354022010	
989-1	Cord Clamp-A	9359822011	9359822011	
989-2	Cord Clamp-B	9359823018	9359823018	
990	Inlet Pipe Accumu.-A	9371561011	9371561011	
991	Inlet Pipe Accumu.-B	9371563015	9371563015	
992	Strainer Sub-Assy	9362350013	9362350013	
993	Discharge Pipe B	9371591018	9371591018	
994	Joint Pipe Valve	9371296029	9371296029	
995	Joint Pipe Valve-B	9371294025	9371294025	

When you order parts, please make a photocopy of this page and fill the number of the parts in the "Order" column.

OUTDOOR UNIT

Ref.	Description	Part No.	
		AOG30AMBH	AOY30AMBH
2	Fan Cover (Guard)	9371187013	9371187013
4	Emblem-Rear	313791088308	9359836018
5	Cabinet-A, Painted	9359797029	9359797029
9	Cabinet-B, Painted	9359798026	9359798026
12	Base Assy, Painted	9359813019	9359813019
13	3-Way Valve (5/8)	9360157003	9360157003
13-2	Packed Valve (3/8)	9360150004	9360150004
15	Dryer	9368111014	9368111014
16	Condenser Assy	9353455093	9353455093
18	Inlet Pipe (Condenser)	9369048005	9369048005
18-1	Outlet Pipe (Condenser)	9369054006	9369054006
20	Discharge Pipe	9369047008	9369047008
26	Comp. Cover	9371501017	9371501017
29	Separate Wall	9359804017	9359804017
32	Control Box Metal	9359839019	9359839019
34	Capacitor (Fan Motor)	9357965024	9357965024
37	Running Capacitor	9703107023	9703107023
38	Capacitor Clamp	9360610010	9360610010
39	Propeller Fan	9359837015	9359837015
41	Fan Motor Assy-Out	9601754015	9601754015
45-1	Motor Bracket-A	9369627002	9369627002
45-2	Motor Bracket-B	9369628009	9369628009
45-3	Motor Bracket-C	9373076018	9373076018
45-4	Motor Bracket-D	9369630002	9369630002
46	Compressor Assy	9371505015	9371505015
47-1	Rubber (Discharge Pipe)	313194159807	313194159807
51	Flange Nut	9371515014	9371515014
54	Condensing Pipe	9369061004	9369061004
55	Special Nut M8	9355091008	9355091008
58	Suction Pipe Assy	9369064005	9369064005
64	Cabinet Left, Painted	9359840022	9359840022
82-1	Check Joint	9360162007	9360162007
83	Check Joint Bracket	9359807018	9359807018
84	Valve Cover	9359817017	9359817017
85	Valve Fixing Plate	9359806011	9359806011
107	Rubber Mount	9362368001	9362368001
109	Terminal Cover	9371513010	9371513010
117-3	Hex. Nut w/Sp. Washer	301721180114	301721180114
187	Clamp No.1219	313361271706	313361271706
218-3	Power Relay	9900074012	9900074012
263	Accumulator	9385005006	9385005006
328	Comp. Plate Assy	9362273015	9362273015
373	Grip	9352157004	9352157004
407	Clamp (Cable) No.1259	313739340109	313739340109
412	Terminal Gasket	9371514017	9371514017
420	Capillary Assy	9369062001	9369062001
477	Bell-mouth	9359809012	9359809012
527	Protection Net	9359844013	9359844013
549	Thermostat-Outdoor	9352553004	9352553004
653-1	Bolt (Fan Motor Fixing)	0700156014	0700156014
734	Cabinet Top Plate Panel	9359799023	9359799023
744	Clamp (Condenser)	313166374106	313166374106
754	Rubber Washer	9371992013	9371992013
808	Inlet Pipe (Accumulator)	9370666007	9370666007
815-3	Terminal-8P	9358660119	9358660119
817	Thermostat Fixture	9352164019	9352164019
823-2	Fuse Holder	0500063024	0500063024
824-4	Fuse	0600222529	0600222529
867	Accumulator Holder Rubber	9354022010	9354022010
983	Thermostat Cover	9358274002	9358274002
989-1	Cord Clamp-A	9359822011	9359822011
989-2	Cord Clamp-B	9359823018	9359823018
990	Thermal Switch	9371516011	9371516011
991	Holder	9371554013	9371554013
992	Joint Pipe-A Assy	9371502014	9371502014

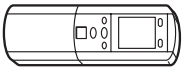





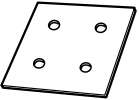
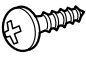

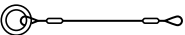
Ref.	Description	Part No.	
		AOG30AMBL	AOY30AMBL
2	Fan Cover (Guard)	9371187013	9371187013
4	Emblem-Rear	313791088308	9359836018
5	Cabinet-A, Painted	9359797029	9359797029
9	Cabinet-B, Painted	9359798026	9359798026
12	Base Assy, Painted	9359813019	9359813019
13	3-Way Valve (5/8)	9360157003	9360157003
13-2	Packed Valve (3/8)	9360150004	9360150004
15	Dryer	9368111014	9368111014
16	Condenser Assy	9360280015	9360280015
18	Inlet Pipe (Condenser)	9369048005	9369048005
18-1	Outlet Pipe (Condenser)	9369054006	9369054006
20	Discharge Pipe	9369047008	9369047008
26	Comp. Cover	9369093005	9369093005
29	Separate Wall	9359804017	9359804017
32	Control Box Metal	9359839019	9359839019
34	Capacitor (Fan Motor)	9357965024	9357965024
37	Running Capacitor	9703107023	9703107023
38	Capacitor Clamp	9360610010	9360610010
39	Propeller Fan	9359837015	9359837015
41	Fan Motor Assy-Out	9601754015	9601754015
45-1	Motor Bracket-A	9369627002	9369627002
45-2	Motor Bracket-B	9369628009	9369628009
45-3	Motor Bracket-C	9373076018	9373076018
45-4	Motor Bracket-D	9369630002	9369630002
46	Compressor Assy	9368913007	9368913007
47-1	Rubber (Discharge Pipe)	313194159807	313194159807
54	Condensing Pipe	9369061004	9369061004
55	Special Nut M8	9355091008	9355091008
58	Suction Pipe Assy	9369064005	9369064005
64	Cabinet Left, Painted	9359840022	9359840022
81	Strap	9362371001	9362371001
82-1	Check Joint	9360162007	9360162007
83	Check Joint Bracket	9359807018	9359807018
84	Valve Cover	9359817017	9359817017
85	Valve Fixing Plate	9359806011	9359806011
107	Rubber Mount	9362368001	9362368001
109	Terminal Cover	9362369008	9362369008
117-3	Hex. Nut w/Sp. Washer	301721180114	301721180114
187	Clamp No.1219	313361271706	313361271706
218-3	Power Relay	9900074012	9900074012
259	Muffler	—	9370704006
263	Accumulator	9385005006	9385005006
328	Comp. Plate Assy	9362273015	9362273015
373	Grip	9352157004	9352157004
407	Clamp (Cable) No.1259	313739340109	313739340109
412	Terminal Gasket	9362370004	9362370004
420	Capillary Assy	9369062001	9369062001
477	Bell-mouth	9359809012	9359809012
527	Protection Net	9359844013	9359844013
549	Thermostat-Outdoor	9352553004	9352553004
653-1	Bolt (Fan Motor Fixing)	0700156014	0700156014
734	Cabinet Top Plate Panel	9359799023	9359799023
744	Clamp (Condenser)	313166374106	313166374106
772	Joint Pipe-A	9369060007	9369060007
808	Inlet Pipe (Accumulator)	9370666007	9370666007
815-3	Terminal-8P	9358660119	9358660119
817	Thermostat Fixture	9352164019	9352164019
823-2	Fuse Holder	0500063024	0500063024
824-4	Fuse	0600222529	0600222529
867	Accumulator Holder Rubber	9354022010	9354022010
983	Thermostat Cover	9358274002	9358274002
989-1	Cord Clamp-A	9359822011	9359822011
989-2	Cord Clamp-B	9359823018	9359823018

OUTDOOR UNIT


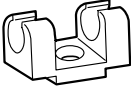





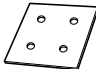

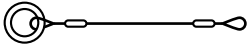
Ref.	Description	Part No.	
		AOG30RMBL	AOY30RMBL
2	Fan Cover (Guard)	9371187013	9371187013
4	Emblem-Rear	313791088308	9359836018
5	Cabinet-A, Painted	9359797029	9359797029
9	Cabinet-B, Painted	9359798026	9359798026
12	Base Assy, Painted	9359813019	9359813019
13	3-Way Valve (5/8)	9370705003	9370705003
13-2	Packed Valve (3/8)	9360150004	9360150004
15	Dryer	9368111014	9368111014
16	Condenser Assy	9369825002	9369825002
18	Inlet Pipe (Condenser)	9370685008	9370685008
20	Discharge Pipe	9369067006	9369067006
26	Comp. Cover	9369093005	9369093005
29	Separate Wall	9359804017	9359804017
32	Control Box Metal	9359839019	9359839019
34	Capacitor (Fan Motor)	9704305015	9704305015
37	Running Capacitor	9703107023	9703107023
38	Capacitor Clamp	9360610010	9360610010
39	Propeller Fan	9359837015	9359837015
41	Fan Motor Assy-Out	9601754015	9601754015
45-1	Motor Bracket-A	9369627002	9369627002
45-2	Motor Bracket-B	9369628009	9369628009
45-3	Motor Bracket-C	9373076018	9373076018
45-4	Motor Bracket-D	9369630002	9369630002
46	Compressor Assy	9368913007	9368913007
47-1	Rubber (Discharge Pipe)	313194159807	313194159807
54-1	Condensing Pipe-A	9370667004	9370667004
55	Special Nut M8	9355091008	9355091008
58	Suction Pipe Assy	9369064005	9369064005
64	Cabinet Left, Painted	9359840022	9359840022
81	Strap	9362371001	9362371001
82-1	Check Joint	9360162007	9360162007
83	Check Joint Bracket	9359807018	9359807018
84	Valve Cover	9359817017	9359817017
85	Valve Fixing Plate	9359806011	9359806011
107	Rubber Mount	9362368001	9362368001
109	Terminal Cover	9362369008	9362369008
117-3	Hex. Nut w/Sp. Washer	301721180114	301721180114
187	Clamp No.1219	313361271706	313361271706
236	Controller PCB Assy	9704299024	9704299024
259	Muffler	9370704006	9370704006 ?
263	Accumulator	9370703009	9370703009
328	Comp. Plate Assy	9362273046	9362273046
330-2	Inlet Pipe (Condenser)-B Assy	9369074004	9369074004
343	Solenoid	9704061027	9704061027
344	4-way Valve	9307556012	9307556012
353	Thermistor (Heat Exchanger)	9900043025	9900043025
373	Grip	9352157004	9352157004
407	Clamp (Cable) No.1259	313739340109	313739340109
412	Terminal Gasket	9362370004	9362370004
420	Capillary Assy	9370683004	9370683004
450	Discharge Pipe Assy	9370709001	9370709001
451	Transformer	9900039011	9900039011
477	Bell-mouth	9359809012	9359809012
527	Protection Net	9359844013	9359844013
549	Thermistor (Outdoor)	9900037017	9900037017
629	EMI Filter	0400056119	0400056119
653-1	Bolt (Fan Motor Fixing)	0700156014	0700156014
734	Cabinet Top Plate Panel	9359799023	9359799023
735	Distributor Assy	9370684001	9370684001
744	Clamp (Condenser)	313166374106	313166374106
772	Joint Pipe-A	9369084003	9369084003
772-3	Joint Pipe (Valve)	9369082009	9369082009
772-4	Joint Pipe (Valve)-B	9369083006	9369083006
808	Inlet Pipe (Accumulator)	9370742008	9370742008
815-3	Terminal-8P	9358660119	9358660119
846	Relay	9357058009	9357058009
867	Accumulator Holder Rubber	9354022010	9354022010
891	Thermistor (Discharge)	9900038014	9900038014
910	Strainer-B	9365099018	9365099018
989-1	Cord Clamp-A	9359822011	9359822011
989-2	Cord Clamp-B	9359823018	9359823018
-	Belt Heater A	9361140066	9361140066

STANDARD ACCESSORIES



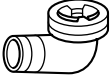
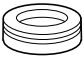
INDOOR UNIT ACCESSORIES (AU_25AGB-W, AU_30AGB-W)

Name and Shape	Q'ty	Application	Parts No.
			AU_25AGB-W, AU_30AGB-W
Remote control unit 	1	Use for air conditioner operation	9359913047
Battery (pen light) 	4	For remote control unit	0600185534
Remote control unit holder 	1	For mounting the remote control unit	9359955016
Special nut A (large flange) 	4	For installing indoor unit	313005446653
Special nut B (small flange) 	4	For installing indoor unit	313005446759
Coupler heat insulator 	2	For indoor side pipe joint	9350716029 9352766015 } 1 each
Template 	1	For ceiling hole cutting	9363173000
Tapping screw (φ 3 x 12) 	3	For remote control unit holder installation	301141533125
Blower cover insulation 	2	For discharged air	9363265002
Hook wire 	2	For installing intake grille	9363168006

INDOOR UNIT ACCESSORIES (AU_25ALD-W, AU_25RLD-W)
(AU_30ALD-W, AU_30RLD-W)

Name and Shape	Part No.	
	AU_25ALD-W, AU_25RLD-W	AU_30ALD-W, AU_30RLD-W
Coupler heat insulation 	9350716029	9352766015 } 1 each
Remote control unit cord clamp 	313714181904	
Binder 	313035356905 (Large)	
	313361275805 (Small)	
Screw 	(A) 301141134166 For installing the mounting bracket	
	(B) 301141153027 For installing the cord clamp	
Special nut A (large flange) 	313005446653	
Special nut B (small flange) 	313005446759	
Remote control unit 	(Cooling model) 9703173028	
	(Cooling & Heating model) 9371438016	
Template 	9363173000	
Blower cover insulation 	9363265002	
Hook wire 	9363168006	

OUTDOOR UNIT ACCESSORIES

Name and Shape	Q'ty	Application	Parts No.		
			AO_25ANAL AO_25RNAL	AO_30AMBH	AO_30AMBL AO_30RMBL
Hexagon wrench 	1	For opening the refrigerant valve on the outdoor unit	9351228019	9351228019	9351228019
Cable clip 	2	For power cord binding	—	313739340109	313739340109
Drain pipe 	1	For outdoor unit drain piping work [Heat & Cool (Reverse cycle) model only]	9303029015	—	9303029015
Drain cap 	2		313166024302	—	313166024302

0303J2185