



**SPLIT TYPE ROOM AIR
CONDITIONER
WALL MOUNTED type**

**SERVICE
MANUAL**

Models :	Indoor unit	Outdoor unit
	ASY7ASC-W	A0Y7ASC
	ASY7RSC-W	A0Y7RSC
	ASY7ASD-W	A0Y7ASD
	ASY7RSD-W	A0Y7RSD
	ASY7ASCCW	A0Y7ASCC
	ASY7RSCCW	A0Y7RSCC
	ASY7ASDCW	A0Y7ASDC
	ASY7RSDCW	A0Y7RSDC

C O N T E N T S

SPECIFICATIONS	1
REFRIGERANT SYSTEM DIAGRAM.....	4
CIRCUIT DIAGRAM	5
INDOOR PRINTED CIRCUIT BOARD CIRCUIT DIAGRAM	7
CONTROLLER P.C. BOARD OVERLAY	9
REMOTE CONTROL UNIT CIRCUIT DIAGRAM	11
DISASSEMBLY ILLUSTRATION	13
PARTS LIST	17

S P E C I F I C A T I O N S

TYPE		COOL	COOL & HEAT
INDOOR UNIT		ASY7ASC-W, ASY7ASD-W ASY7ASCCW, ASY7ASDCW	ASY7RSC-W, ASY7RSD-W ASY7RSCCW, ASY7RSDCW
OUTDOOR UNIT		ADY7ASC, ADY7ASD ADY7ASCC, ADY7ASDC	ADY7RSC, ADY7RSD ADY7RSCC, ADY7RSDC
COOLING CAPACITY	(kW)	1.95 - 1.95	2.05 - 2.05
HEATING CAPACITY	(kW)	-	2.30 - 2.30

ELECTRICAL SPECIFICATIONS

POWER SUPPLY		(V)	220 - 240	220 - 240
FREQUENCY		(Hz)	50	50
RUNNING CURRENT	(A)	COOLING	2.8 - 2.9	3.3 - 3.3
		HEATING	-	3.1 - 3.1
INPUT	(kW)	COOLING	0.590 - 0.635	0.70 - 0.73
		HEATING	-	0.65 - 0.69
EER	(kW/kW)	COOLING	3.31 - 3.07	2.93 - 2.81
		HEATING	-	3.54 - 3.33
MOISTURE REMOVAL	(ℓ/hr)	0.7	0.8	
AIR CIRCULATION-Hi	(m ³ /hr)	340	COOL 350 HEAT 380	

COMPRESSOR

TYPE	Hermetic type, Permanent split condenser, 2 pole, Single phase, Induction motor	
CODE	80662745E, 80662745G 220-240V 50Hz	80679045Z, 80679045N 220-240V 50Hz
REFRIGERANT	R-22 (g)	650
		580

FAN MOTOR

POWER SUPPLY		(V)	220 - 240	220 - 240
INDOOR UNIT	HI-SPEED	(r. p. m.)	1,180 - 1,180	COOL 1,220-1,220 HEAT 1,310-1,310
	MED-SPEED	(r. p. m.)	1,100 - 1,100	COOL 1,120-1,120 HEAT 1,210-1,210
	LO-SPEED	(r. p. m.)	1,030 - 1,030	COOL 1,030-1,030 HEAT 1,090-1,090
	QUIET	(r. p. m.)	940 - 940	COOL 940-940 HEAT 970-970
OUTDOOR UNIT	(r. p. m.)	760 - 795	COOL 760-795 HEAT 760-795	

DIMENSIONS

INDOOR UNIT	HEIGHT x WIDTH x DEPTH	248 mm x 808 mm x 163 mm	248 mm x 808 mm x 163 mm
OUTDOOR UNIT	HEIGHT x WIDTH x DEPTH	535 mm x 650 mm x 250 mm	535 mm x 650 mm x 250 mm

WEIGHT

INDOOR UNIT	GROSS / NET (kg)	10 / 7.5	10 / 7.5
OUTDOOR UNIT	GROSS / NET (kg)	27 / 24	28 / 25

NOISE LEVEL

INDOOR UNIT	HI-SPEED (dB)	37 - 37	COOL 37 - 37	HEAT 39 - 39
	MED-SPEED (dB)	35 - 35	COOL 35 - 35	HEAT 37 - 37
	LO-SPEED (dB)	33 - 33	COOL 33 - 33	HEAT 34 - 34
	SUPER QUIET (dB)	31 - 31	COOL 31 - 31	HEAT 31 - 31
OUTDOOR UNIT	(dB)	42 - 43	COOL 43 - 44	HEAT 45 - 46

ADDITIONAL CHARGE OF REFRIGERANT

Refrigerant suitable for a piping length of 5 m is charged in the outdoor unit at the factory.

When the piping is longer than 5 m, additional charging is necessary. For the additional amount, see the table below.

Table

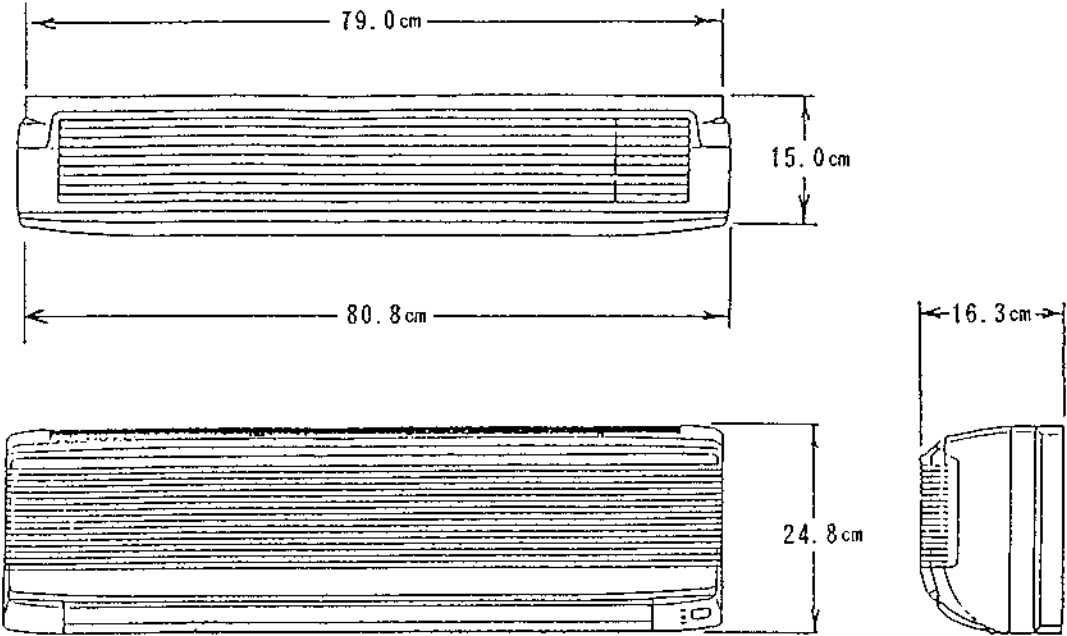
Pipe length	5 m	7 m	10 m
Additional refrigerant	None	32 g	80 g

Between 5 m and 10m, when using a connection pipe other than that in the table, charge additional refrigerant with 16 g/1 m as the criteria.

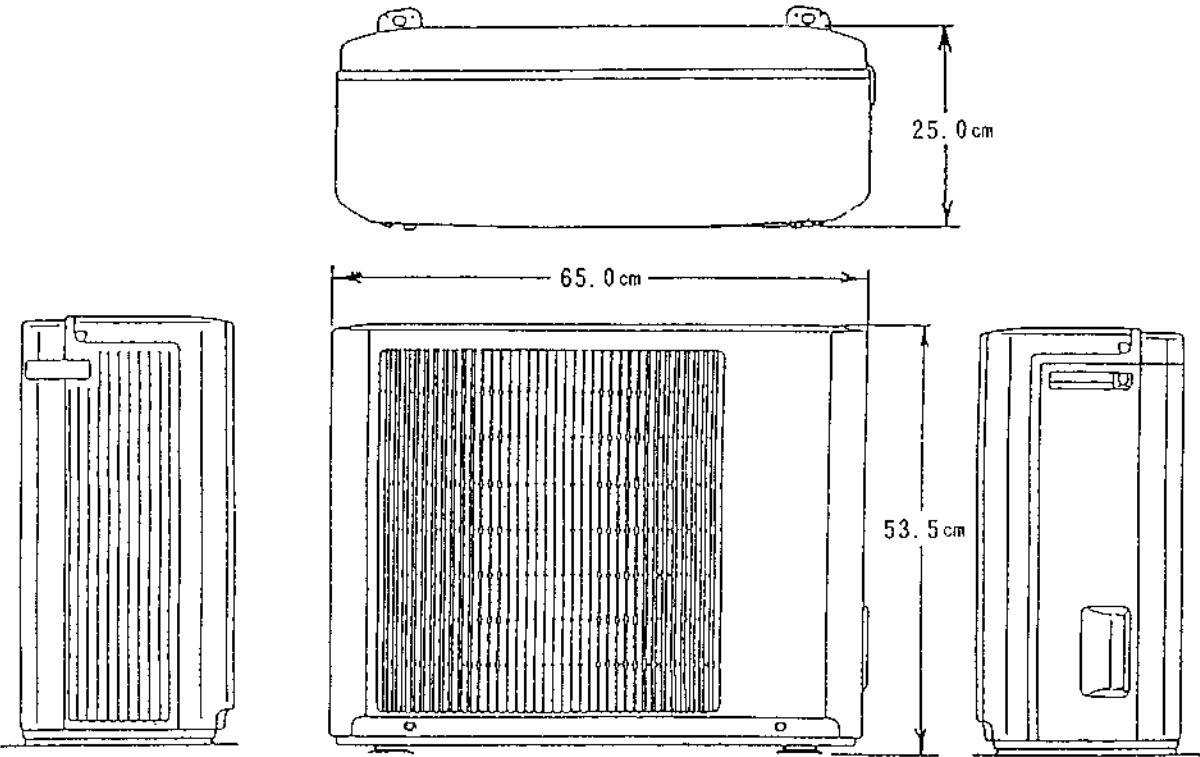
(The maximum length of the piping is 10m. If the units are further apart than this, correct operation can not be guaranteed.)

DIMENSIONS

INDOOR UNIT

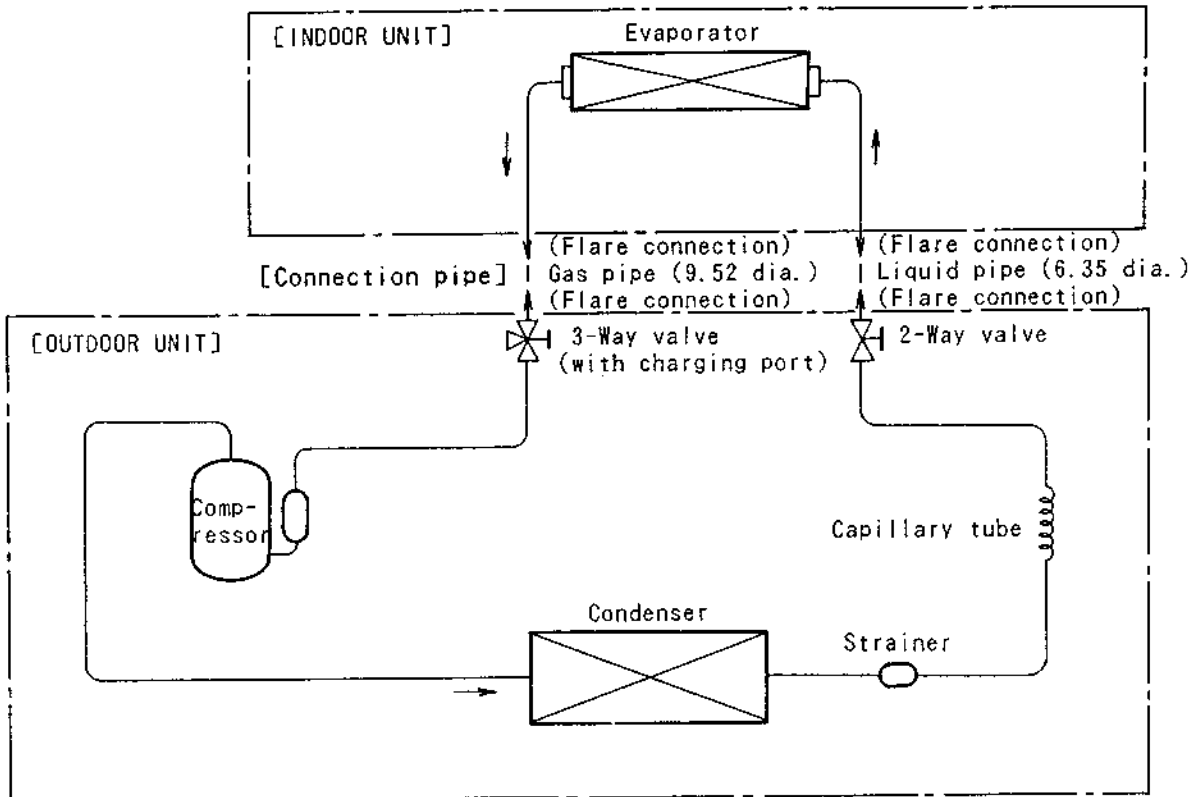


OUTDOOR UNIT

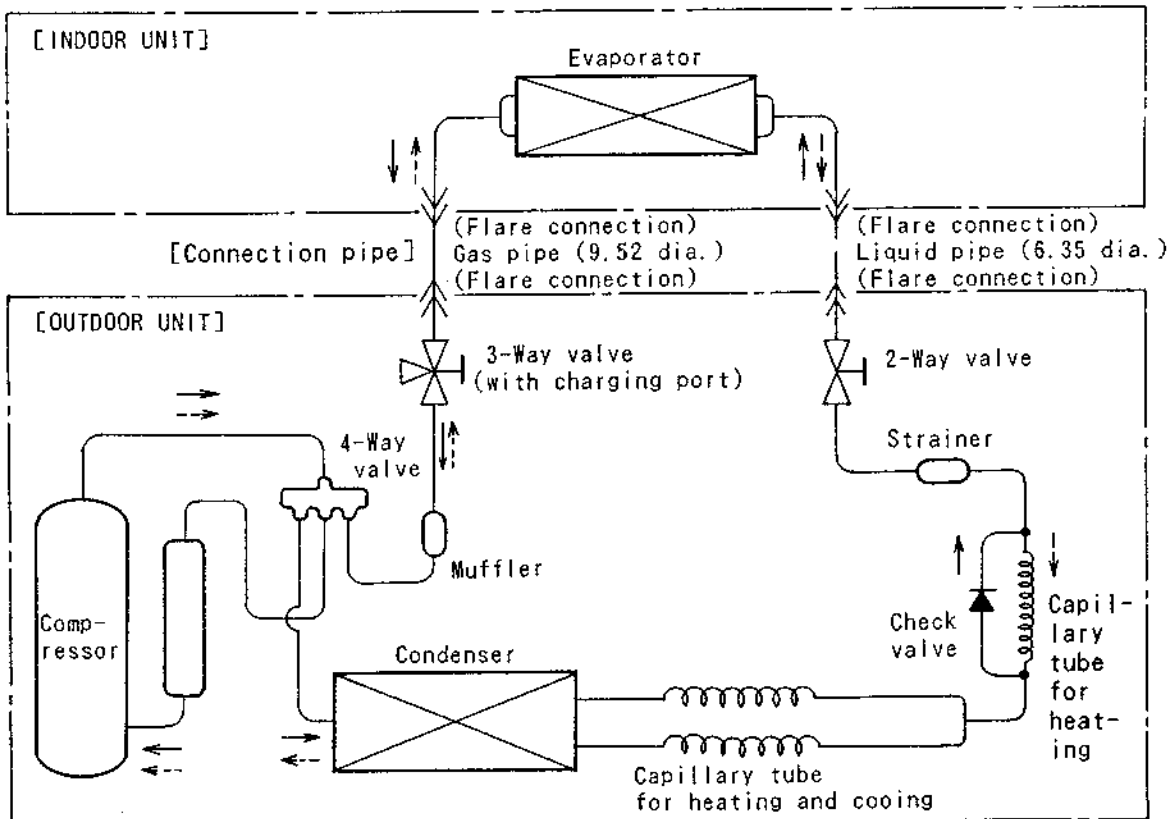


REFRIGERANT SYSTEM DIAGRAM

Models : ASY7ASC-W/AOY7ASC, ASY7ASD-W/AOY7ASD
 ASY7ASCCW/AOY7ASCC, ASY7ASDCW/AOY7ASDC



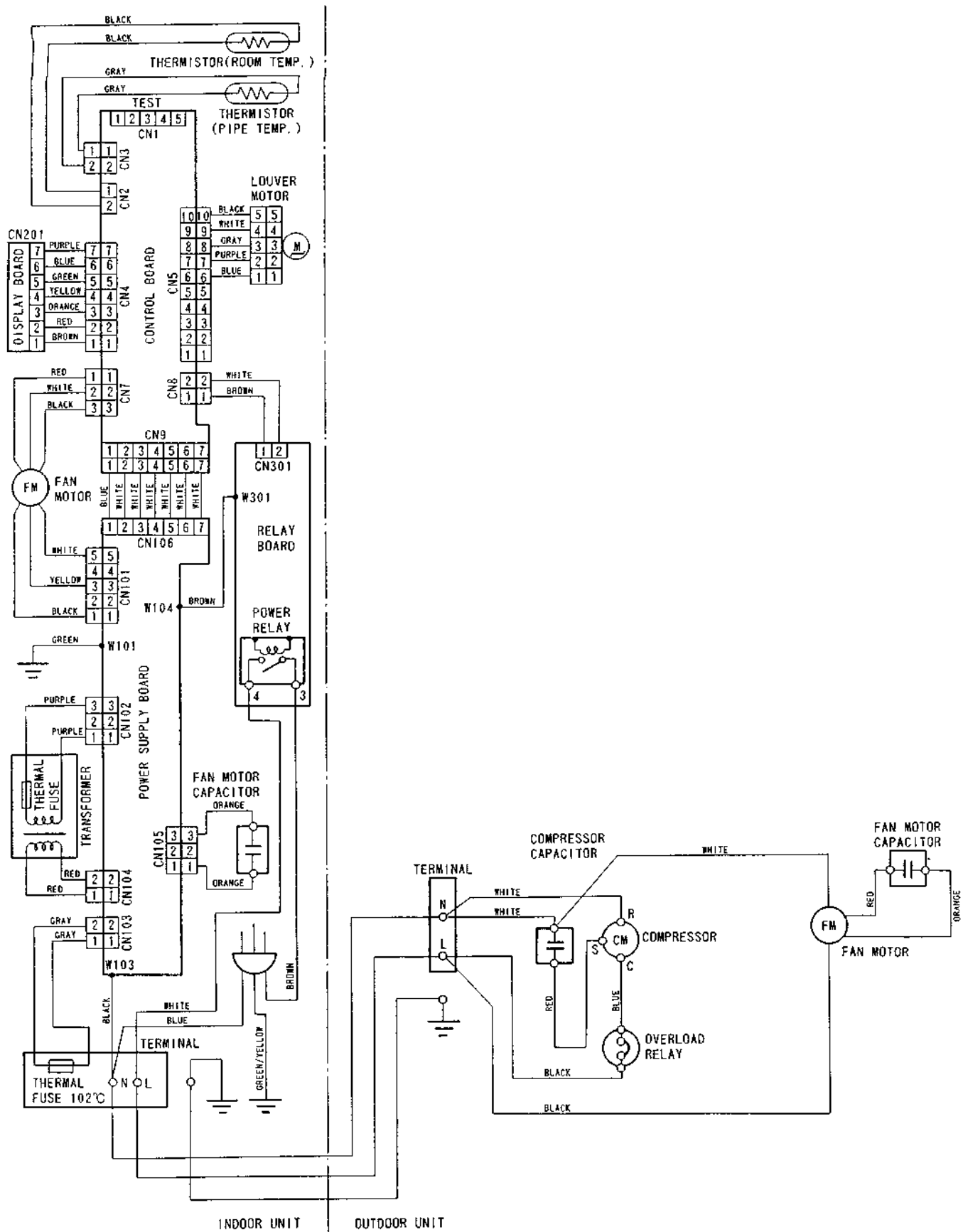
Models : ASY7RSC-W/AOY7RSC, ASY7RSD-W/AOY7RSD
 ASY7RSCCW/AOY7RSCC, ASY7RSDCW/AOY7RSDC



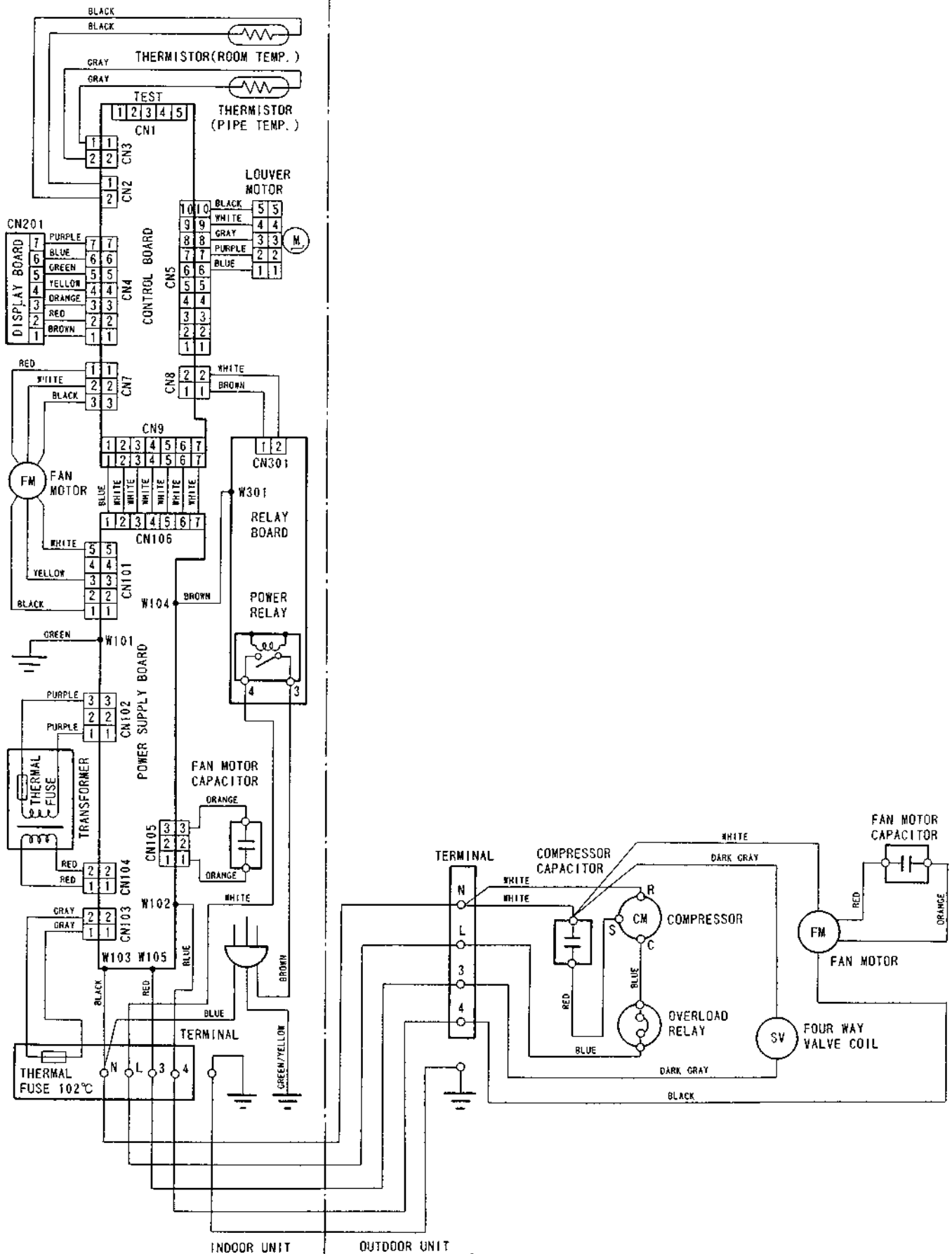
Cooling →
 Heating →

C I R C U I T D I A G R A M

Models : ASY7ASC-W/AOY7ASC, ASY7ASD-W/AOY7ASD
 ASY7ASCCW/AOY7ASCC, ASY7ASDCW/AOY7ASDC



Models : ASY7RSC-W/AOY7RSC, ASY7RSD-W/AOY7RSD
 ASY7RSCC-W/AOY7RSCC, ASY7RSDC-W/AOY7RSDC



Models : ASYTASC-W, ASYTASDCW
 ASYTASD-W, ASYTASDCW

POWER TRANSFORMER
 EZ-056JHSE-T

POWER SUPPLY PCB
 EZ-096KWE-P

FAN MOTOR
 FM

CONTROLLER PCB ASSEMBLY
 EZ-098KWE-C (OM-6860)

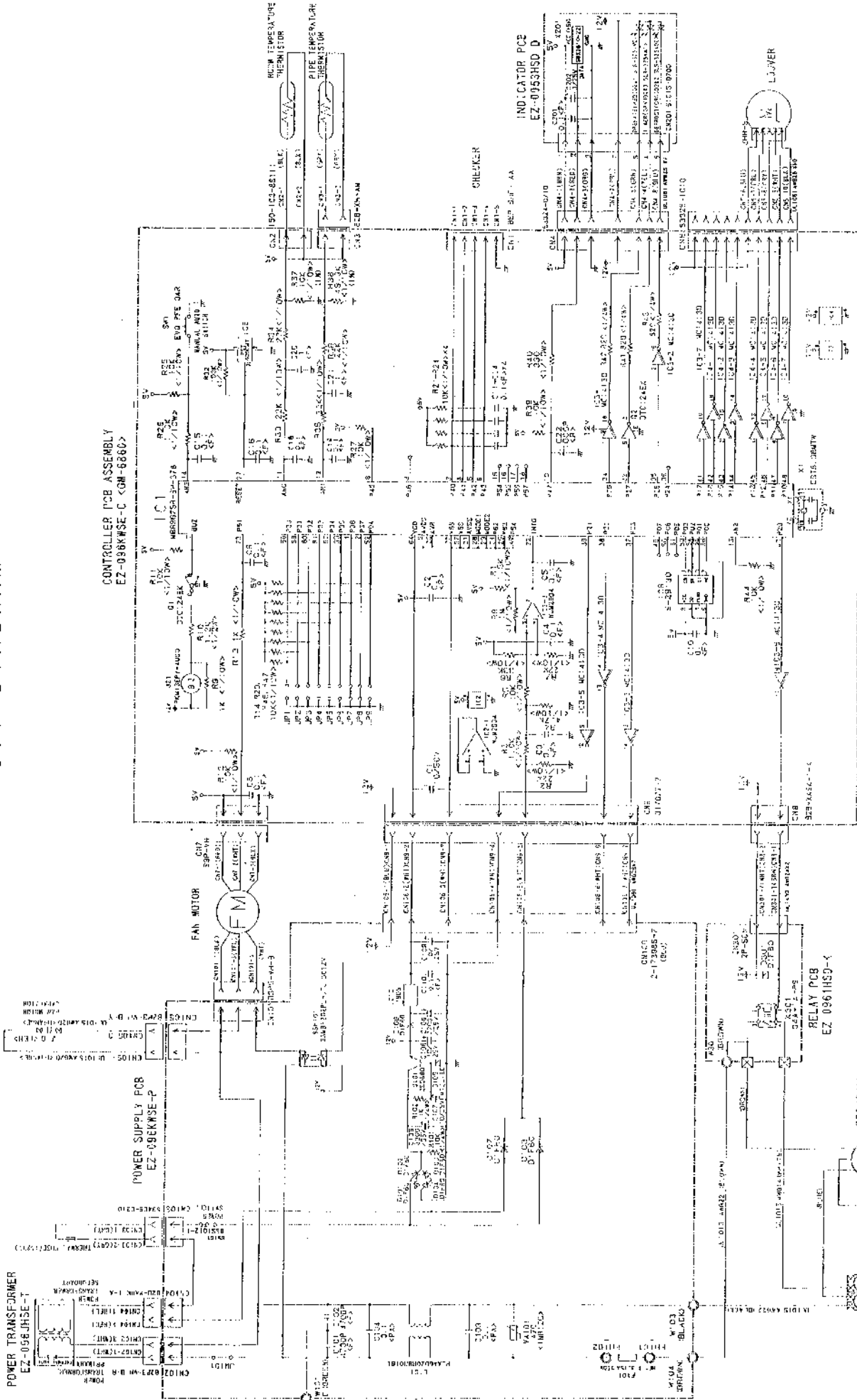
INDICATOR PCB
 EZ-0953HSD-D

RELAY PCB
 EZ-0961HS0-K

220/240V
 50/60HZ

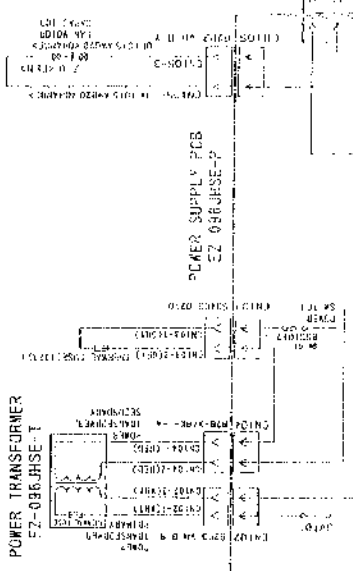
TEMPERAL

INDOOR PRINTED CIRCUIT BOARD

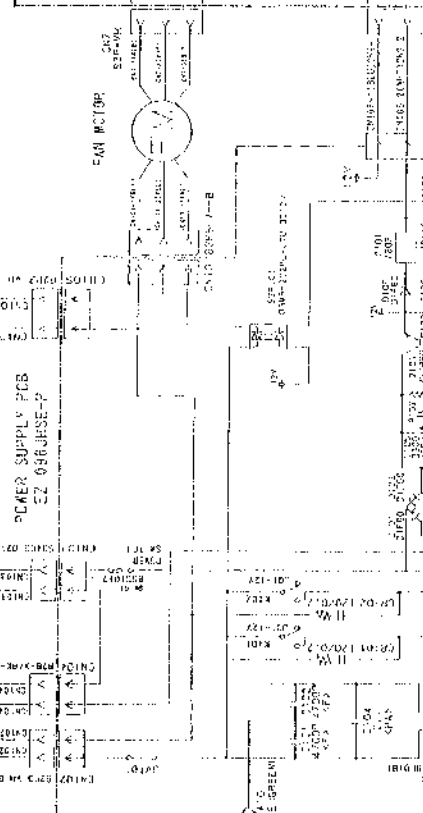


Models : ASYTRSC-W, ASYTRSCCW
 ASYTRSD-W, ASYTRSDCW

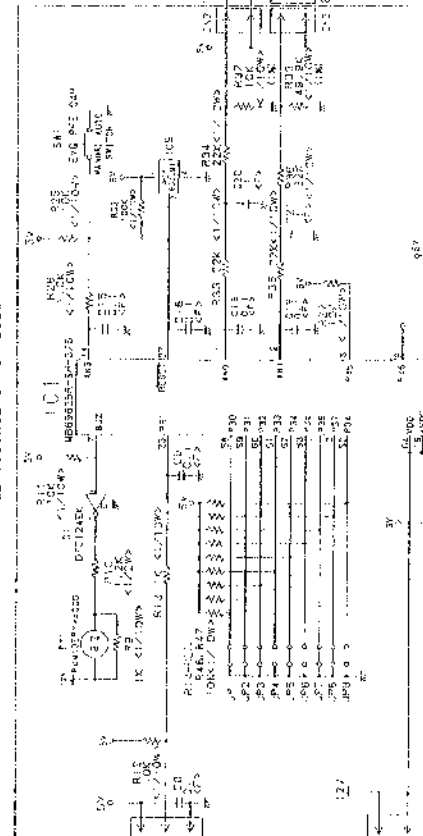
POWER TRANSFORMER
 EZ-086JHSE-1



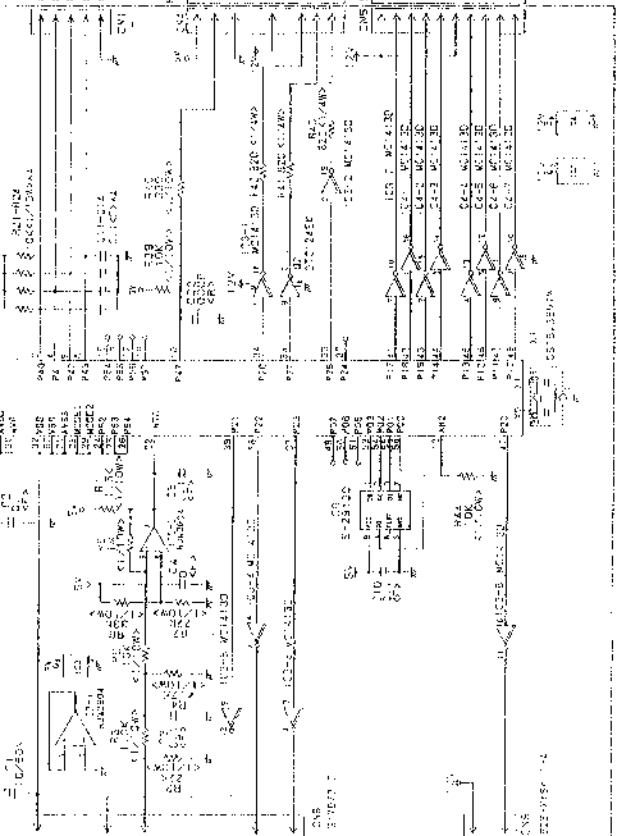
POWER SUPPLY PCB
 EZ-086JHSE-2



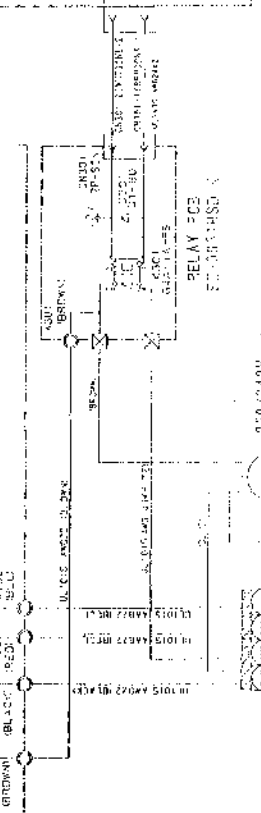
CONTROLLER PCB ASSEMBLY
 EZ-086JHSE-C (GR-8558)



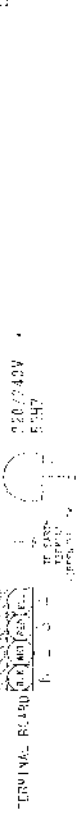
INDICATOR PCB
 EZ-0853HSD-D



RELAY PCB
 EZ-0853HSD-E

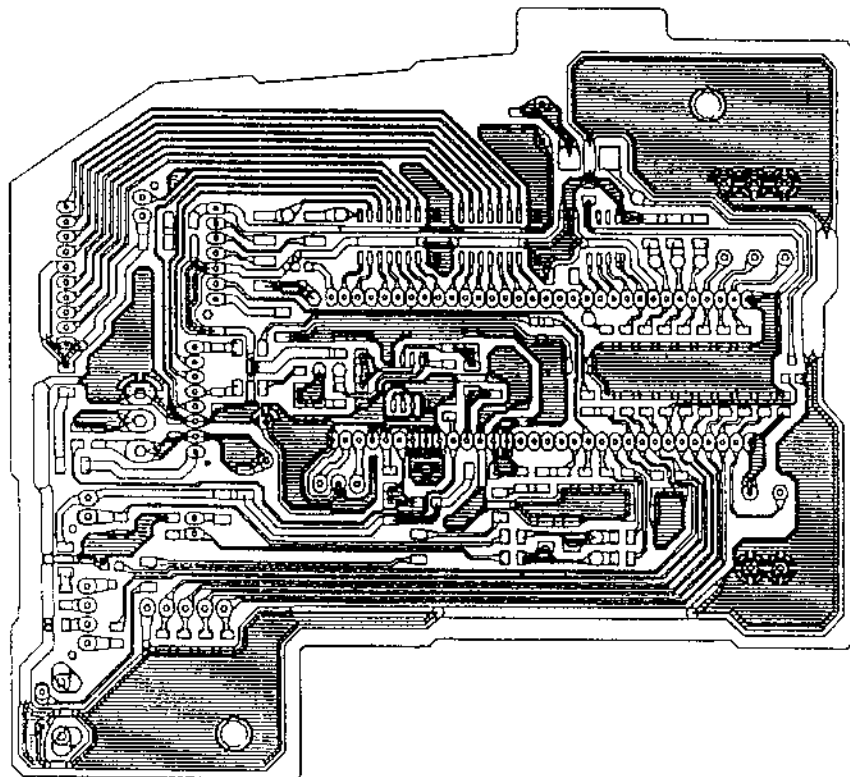
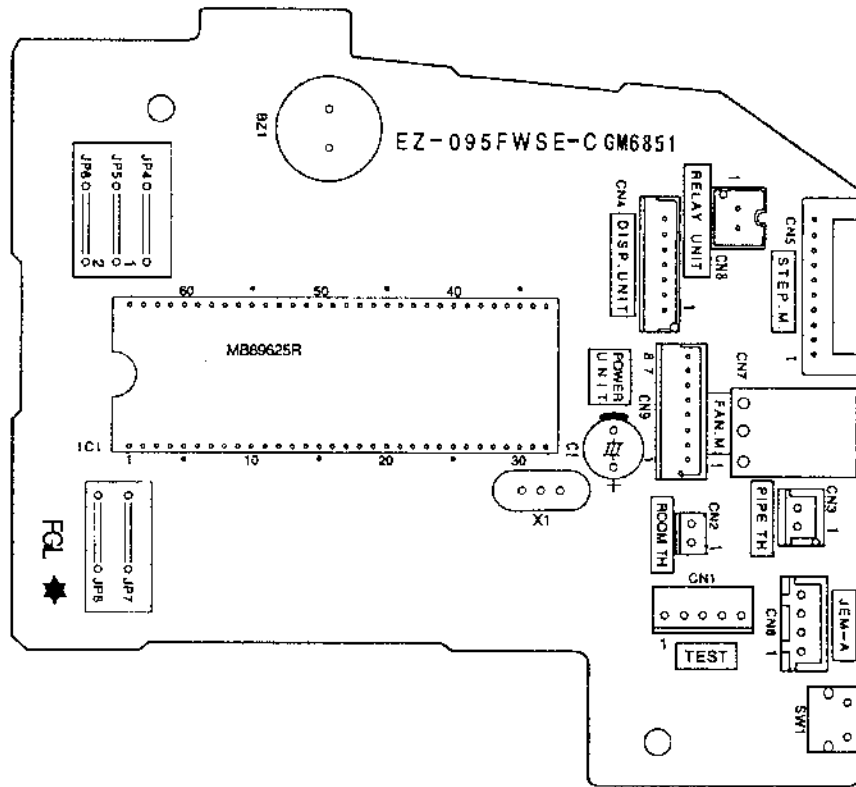


TERM. NAL. RELAY PCB
 EZ-0853HSD-F



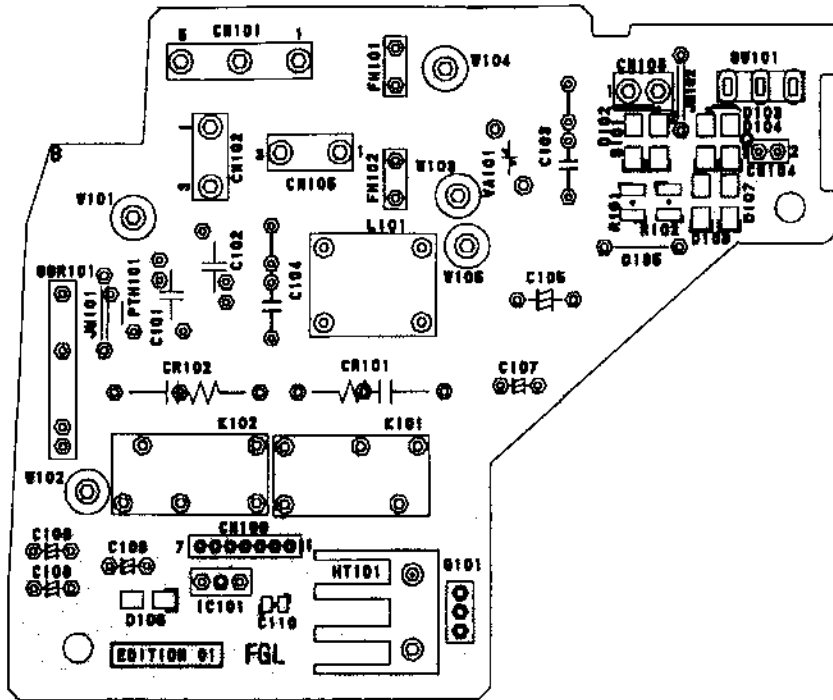
CONTROLLER P. C. BOARD OVERLAY

(VIEWED FROM THE COMPONENT SIDE)



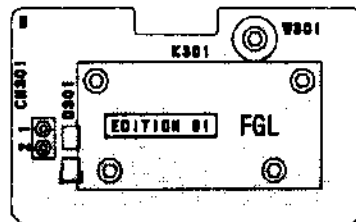
POWER SUPPLY P. C. BOARD OVERLAY

(VIEWED FROM THE SOLDER SIDE)



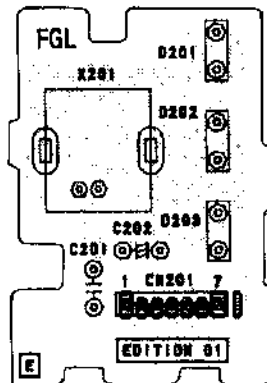
SWITCH P. C. BOARD OVERLAY

(VIEWED FROM THE SOLDER SIDE)



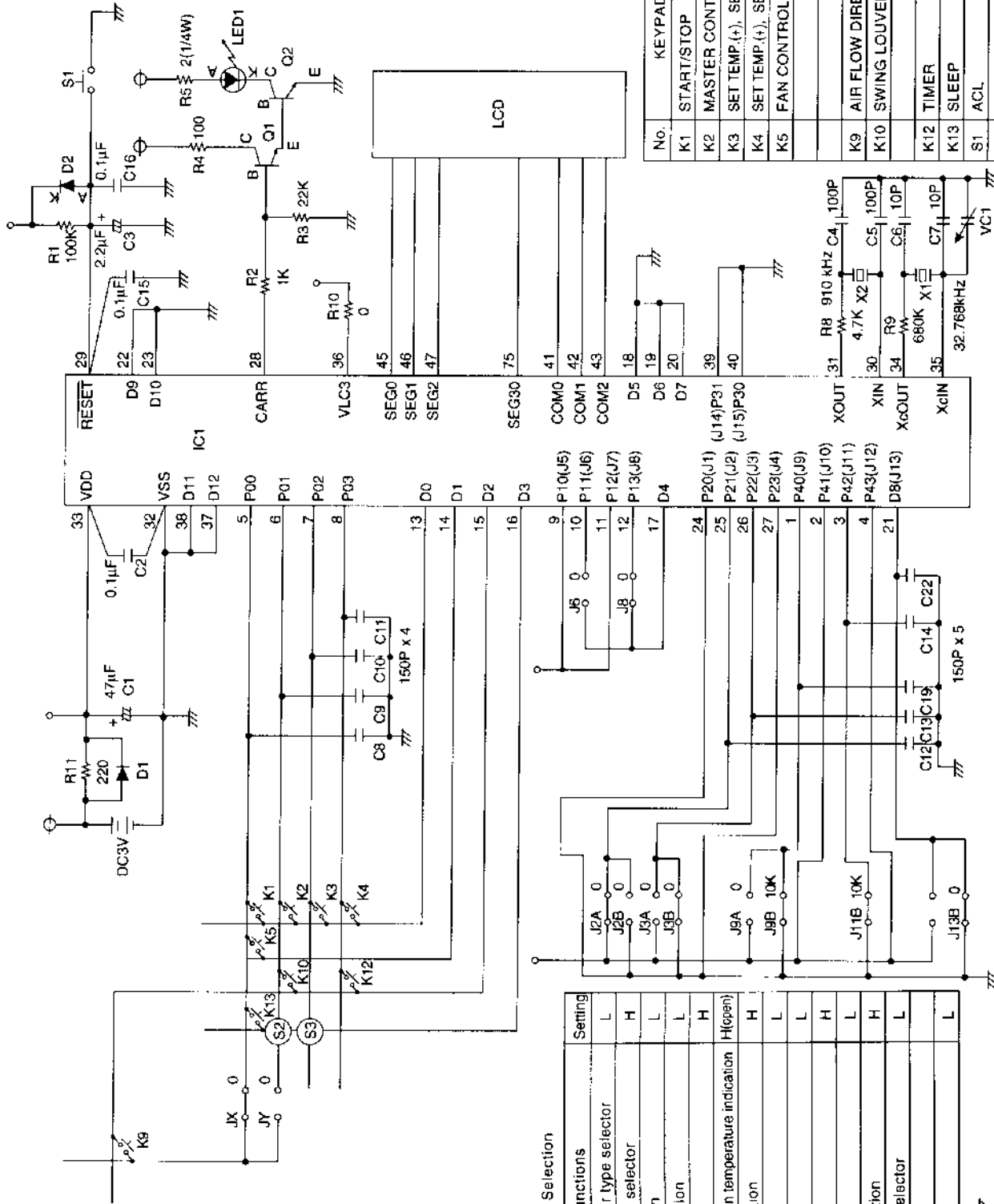
INDICATOR P. C. BOARD OVERLAY

(VIEWED FROM THE SOLDER SIDE)



REMOTE CONTROL UNIT CIRCUIT DIAGRAM

Models : ASYTASC-W, ASYTASCCW
ASYTASD-W, ASYTASDCW



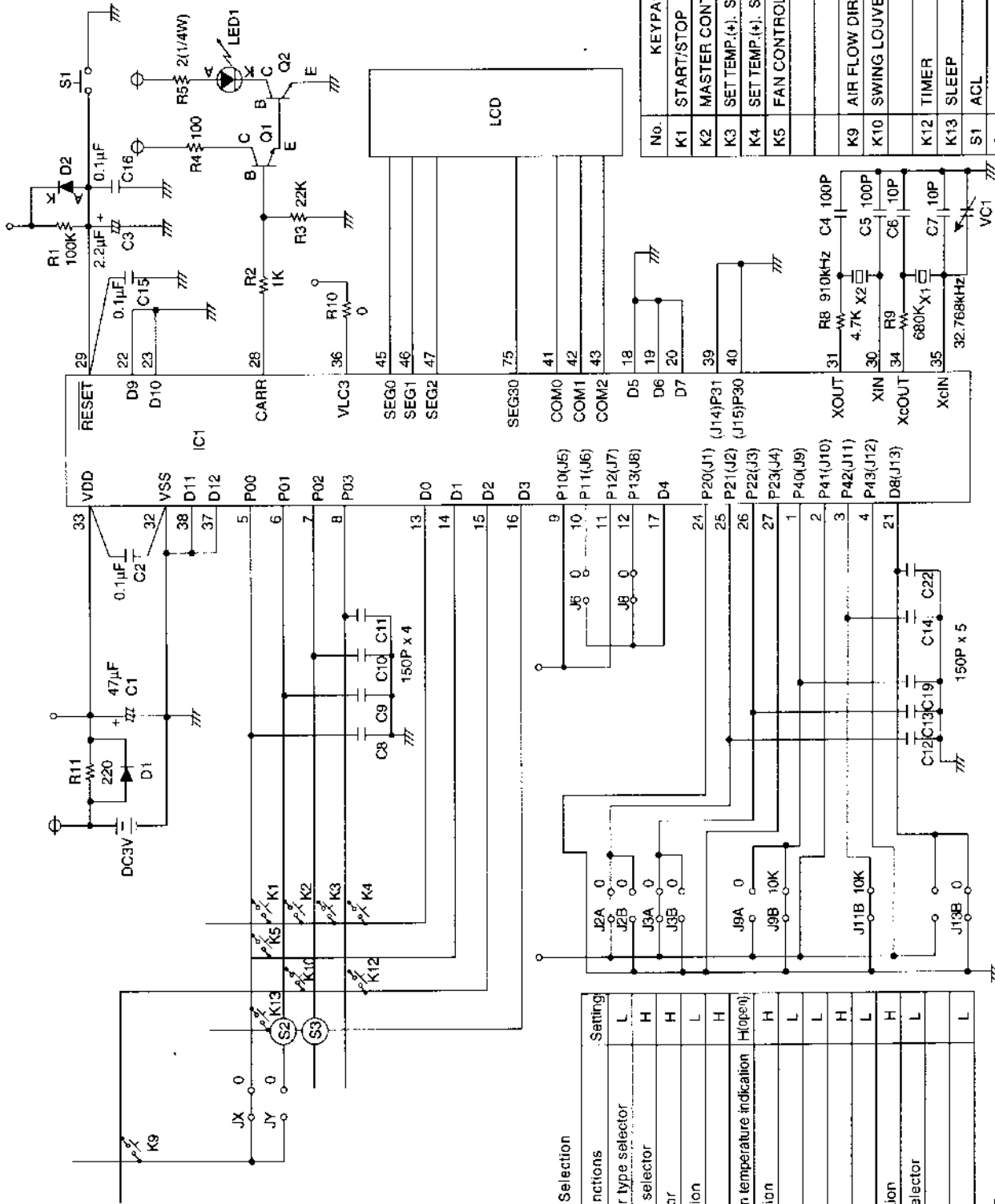
No.	KEYPADS
K1	START/STOP
K2	MASTER CONTROL
K3	SET TEMP (+), SET TIME(+)
K4	SET TEMP (+), SET TIME(+)
K5	FAN CONTROL
K9	AIR FLOW DIRECTION
K10	SWING LOUVER
K12	TIMER
K13	SLEEP
S1	ACL
S2	TIME ADJUST
S3	TEST RUN

Jumper Wire Function Selection

No.	Functions	Setting
J1	Remote controller type selector	L
J2	Transmitter code selector	H
J3	Heating operation	L
J4	No selector function	L
J5	Dry operation	H
J6	Automatic operation temperature indication	H(open)
J7	No selector function	H
J8	Timer selector	L
J9	Switch selector	L
J10	Fan mode	H
J11	Power choice	L
J12	No selector function	H
J13	Auto operation selector	L
J14		
J15	Super quiet	L

L: Connected to 7
H: Connected to 9

Models : ASY7RSC-W, ASY7RSCW
 ASY7RSD-W, ASY7RSDCW



No.	KEYPADS
K1	START/STOP
K2	MASTER CONTROL
K3	SET TEMP.(+). SET TIME(+)
K4	SET TEMP.(+). SET TIME(+)
K5	FAN CONTROL
K9	AIR FLOW DIRECTION
K10	SWING LOUVER
K12	TIMER
K13	SLEEP
S1	ACL
S2	TIME ADJUST
S3	TEST RUN

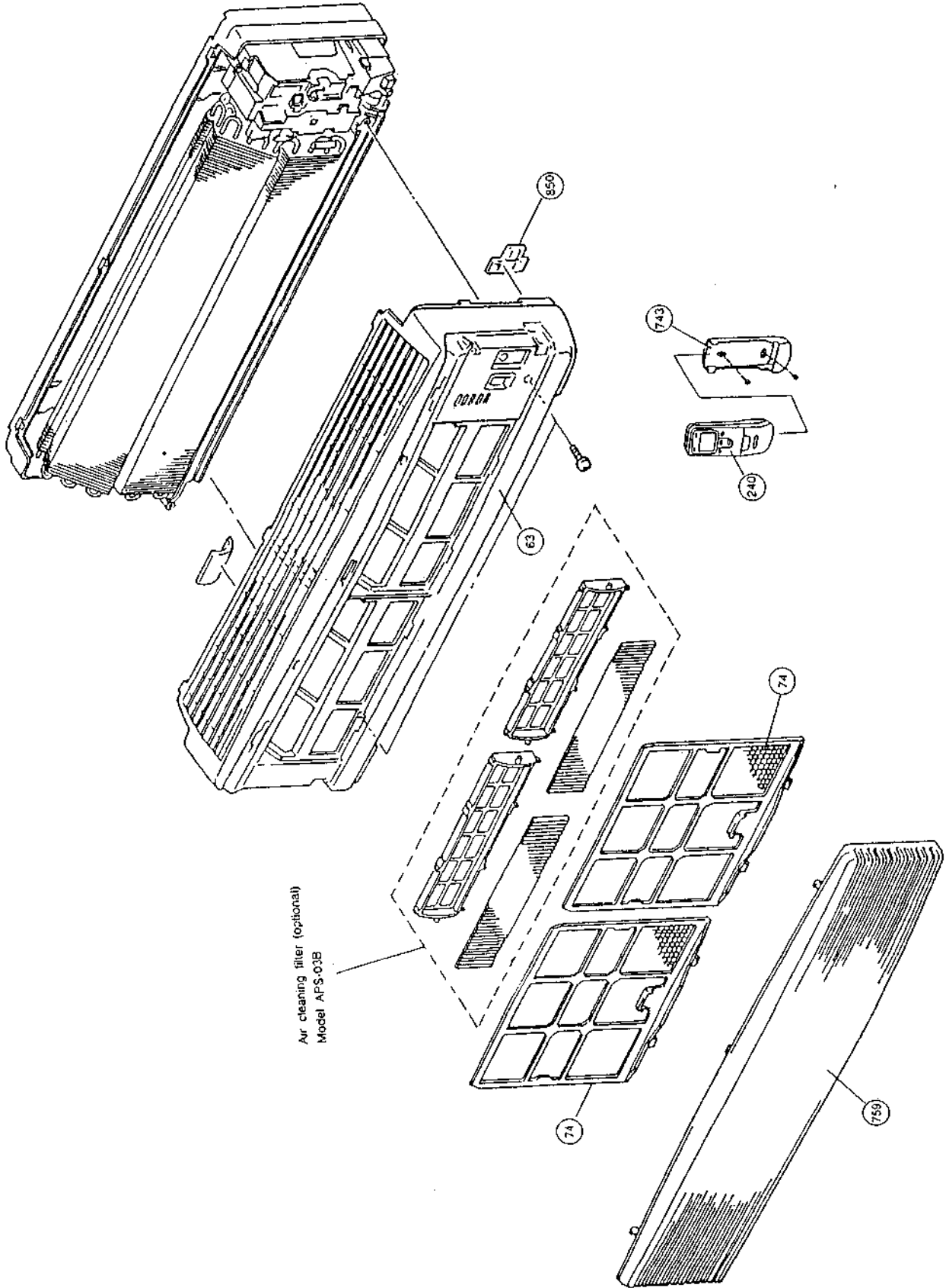
Jumper Wire Function Selection

No.	Functions	Setting
J1	Remote controller type selector	L
J2	Transmitter code selector	H
J3	Heating /Circulator	H
J4	No selector function	L
J5	Dry operation	H
J6	Automatic operation temperature indication	H(open)
J7	No selector function	H
J8	Timer selector	L
J9	Switch selector	L
J10	Fan mode	H
J11	Power choice	L
J12	No selector function	H
J13	Auto operation selector	L
J14		
J15	Super quiet	L

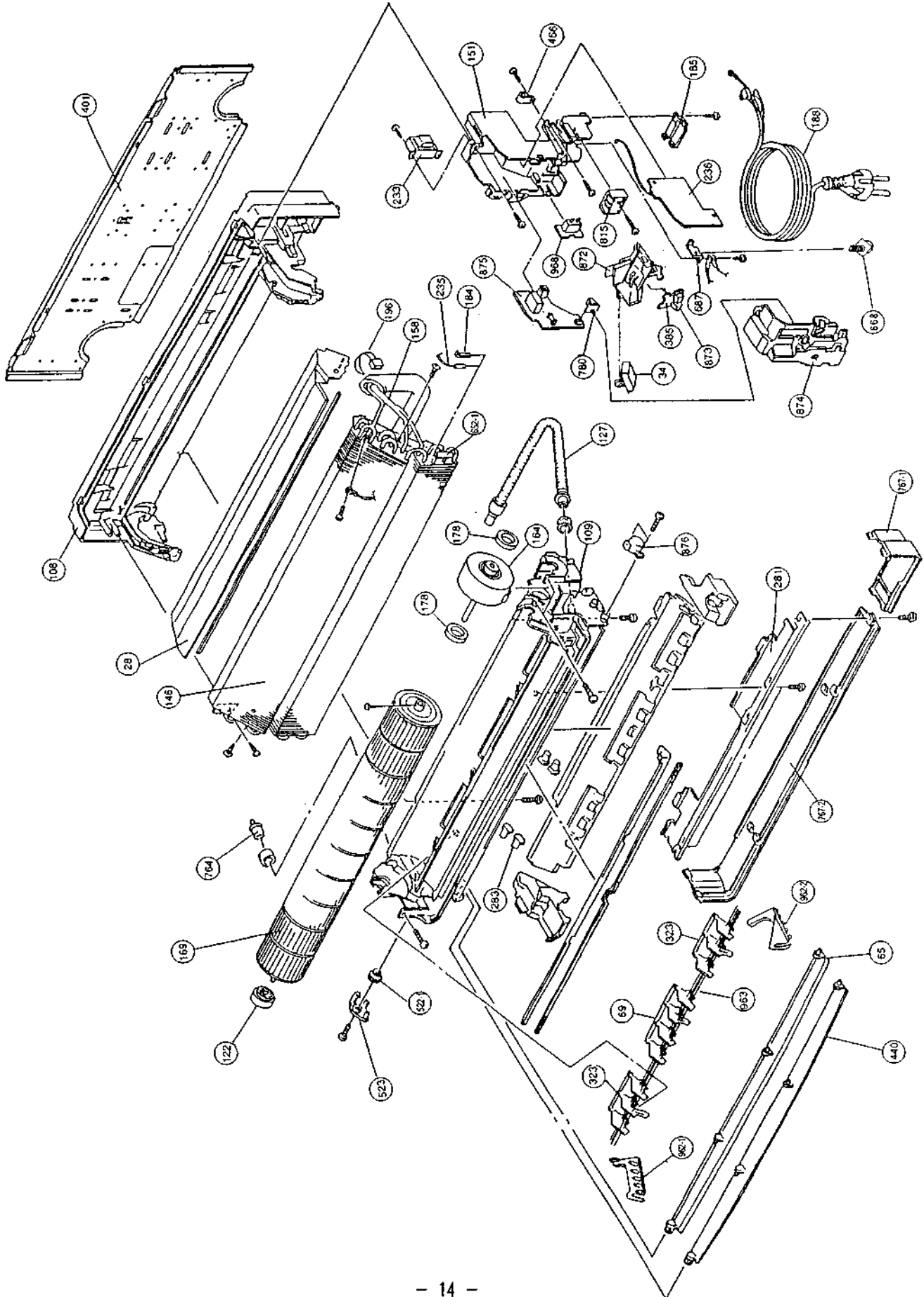
L: Connected to $\overline{\text{GND}}$
 H: Connected to VCC

DISASSEMBLY ILLUSTRATION

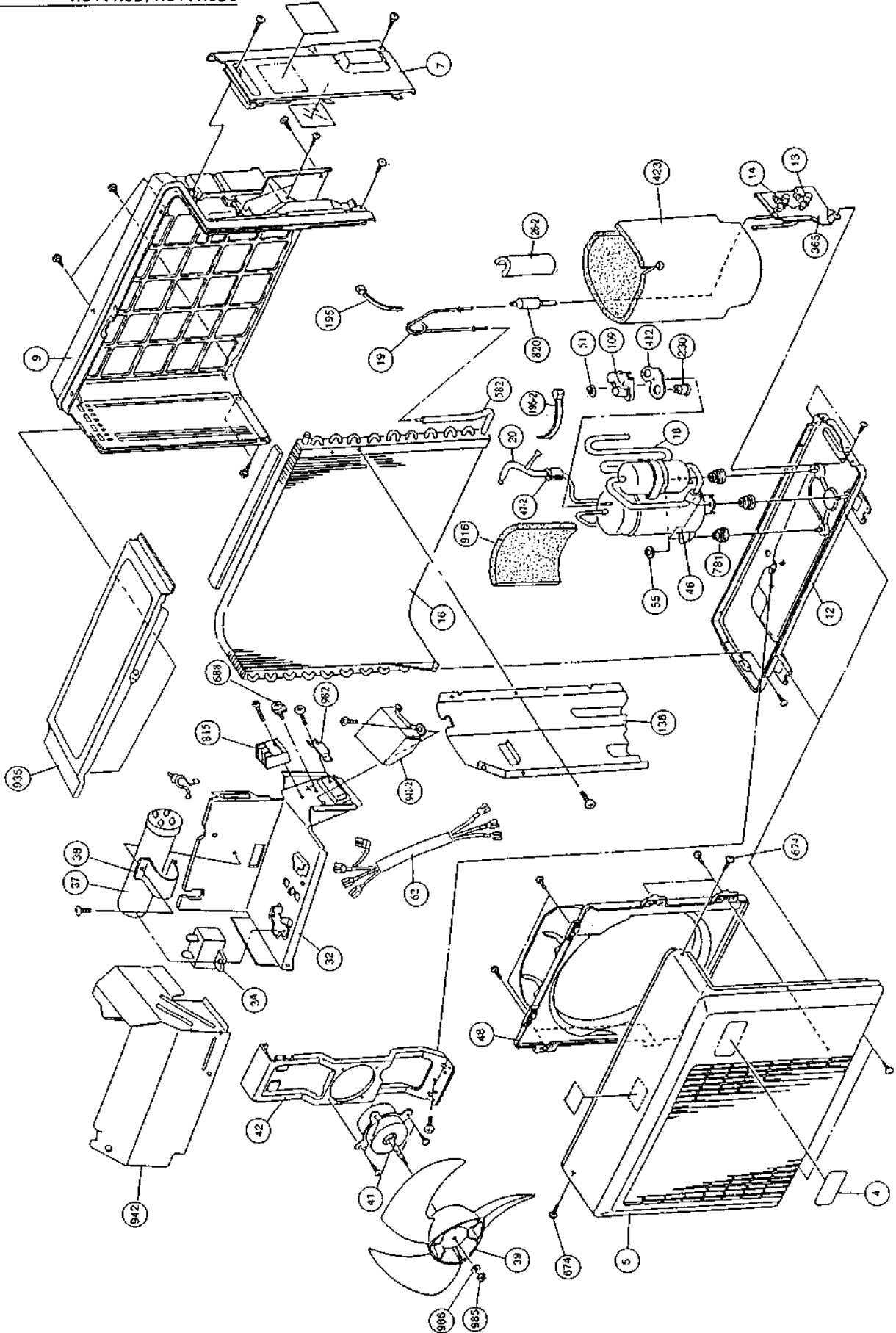
Models : ASYTASC-W, ASYTRSC-W, ASYTASD-W, ASYTRSD-W
ASYTASCCW, ASYTRSCCW, ASYTASDCW, ASYTRSDCW



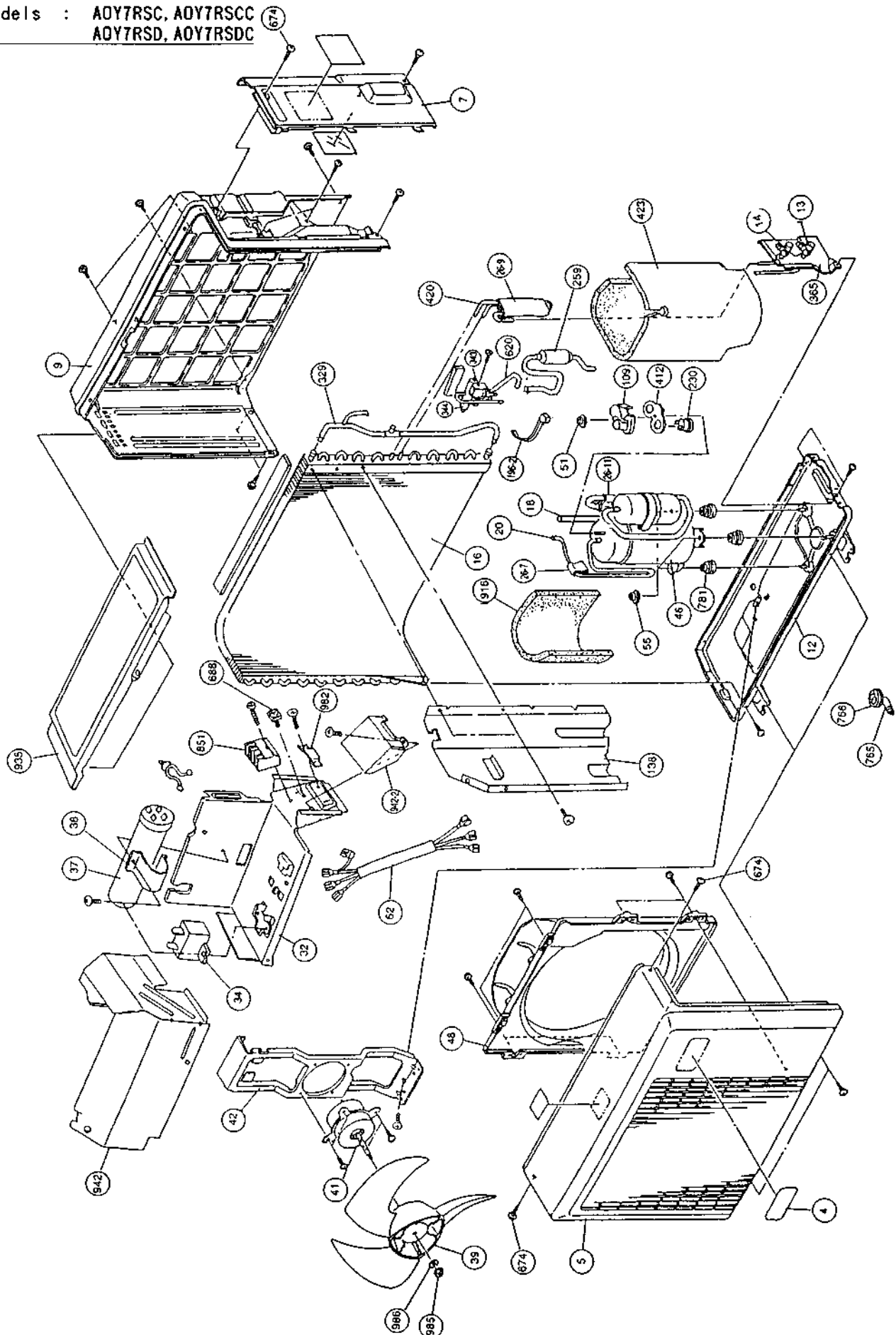
Models : ASY7ASC-W, ASY7RSC-W, ASY7ASD-W, ASY7RSD-W
ASY7ASCCW, ASY7RSCCW, ASY7ASDCW, ASY7RSDCW



Models : AOY7ASC, AOY7ASCC
AOY7ASD, AOY7ASDC



Models : AOY7RSC, AOY7RSCC
 AOY7RSD, AOY7RSDC



PARTS LIST

When you order parts, please make a photocopy of this page and fill the number of the parts in the "Order" column.

INDOOR UNIT

Ref. No.	Description	Part No.				Order Qty
		ASY7ASC-W	ASY7RSC-W	ASY7ASD-W	ASY7RSD-W	
28	Blower Cover	9306462000	9306462000	9306462000	9306462000	
34	Capacitor (Fan Motor)	9702105020	9702105020	9700467168	9700467168	
63	Front Panel Assy	9306268060	9306268060	9306268084	9306268084	
65	Flow Control Panel-Z	9306058012	9306058012	9306058012	9306058012	
69	Louver-A	9306055028	9306055028	9306055028	9306055028	
74	Filter	9305444014	9305444014	9305444014	9305444014	
108	Base	9305427017	9305427017	9305427017	9305427017	
109	Casing	9306052027	9306052027	9306052027	9306052027	
122	Shaft Holder-B	9303066010	9303066010	9303066010	9303066010	
127	Drain Hose Assy	9305550029	9305550029	9305550029	9305550029	
146	Evaporator Assy	9306904005	9306742003	9306904005	9306742003	
151	Control Box	9305448029	9305448029	9305448029	9305448029	
158	Connecting Pipe Assy	9306699000	9306699000	9306699000	9306699000	
164	Fan Motor Assy-IN	9304631118	9304631118	9304631118	9304631118	
169	Cross-Flow Fan Assy	9305435012	9305435012	9305435012	9305435012	
178	Motor Cushion-A	9303528006	9303528006	9303528006	9303528006	
184	Thermistor Spring	313104262701	313104262701	313104262701	313104262701	
185	Wire Clamp	9305940004	9305940004	9305940004	9305940004	
188	Power Cord Assy	9701758012	9701758012	9701758012	9701758012	
196	Clamp SKB-150	313035356905	313035356905	313035356905	313035356905	
233	Power Transformer	9702015015	9702015015	9702015015	9702015015	
235	Thermistor Assy-Pipe	9701102013	9701102013	9701102013	9701102013	
236	Controller PCB Assy	9701999019	9701998012	9701999019	9701998012	
240	Remote Control Unit	9306049010	9306049027	9306049010	9306049027	
281	Clamp Metal (Pipe)	9306063009	9306063009	9306063009	9306063009	
283	Bushing-A	9303529010	9303529010	9303529010	9303529010	
323	Louver-B	9306056025	9306056025	9306056025	9306056025	
385	Indicator PCB Assy	9701700011	9701700011	9701700011	9701700011	
401	Wall Hook Bracket	9304358008	9304358008	9304358008	9304358008	
440	Flow Control Panel-U	9306057015	9306057015	9306057015	9306057015	
466	Clamp NK-4N	313714328805	313714328805	313714328805	313714328805	
522-1	Gear-A	9306062002	9306062002	9306062002	9306062002	
523	Gear Bracket	9306407001	9306407001	9306407001	9306407001	
652-1	Thermistor Holder Pipe	313714262805	313714262805	313714262805	313714262805	
668	Screw w/Washer	313681304205	313681304205	313681304205	313681304205	
687	Earth Terminal	9306483005	9306483005	9306483005	9306483005	
743	Remote Cont. Holder Case	9305642014	9305642014	9305642014	9305642014	
759	Intake Grille	9306051013	9306051013	9306051013	9306051013	
764	Drain Cap Assy	9304150008	9304150008	9304150008	9304150008	
767-1	Bottom Cover-A	9306053017	9306053017	9306053017	9306053017	
767-2	Bottom Cover-B	9306054014	9306054014	9306054014	9306054014	
780	Key Top (Slide Switch)	9303526002	9303526002	9303526002	9303526002	
815	Terminal	9701955022	9701955039	9701955022	9701955039	
850	Window (Receiver)	9306059019	9306059019	9306059019	9306059019	
872	Indicator Case	9306061005	9306061005	9306061005	9306061005	
873	Lamp Cover	9306060008	9306060008	9306060008	9306060008	
874	Control Box Cover	9305977017	9305977017	9305977017	9305977017	
875	Power Supply PCB Assy	9702001018	9702000011	9702001018	9702000011	
876	Step Motor	9305892006	9305892006	9305892006	9305892006	
962-1	Guard Holder-L	9306678012	9306678012	9306678012	9306678012	
962-2	Guard Holder-R	9306677015	9306677015	9306677015	9306677015	
963	Fan Guard	9305751013	9305751013	9305751013	9305751013	
968	Relay PCB Assy	9701920013	9701920013	9701920013	9701920013	

When you order parts, please make a photocopy of this page and fill the number of the parts in the "Order" column.

OUTDOOR UNIT

Ref. No.	Description	Part No.				Order Q'ty
		AOYTASC	AOYTRSC	AOYTASD	AOYTRSD	
4	Emblem-Rear	9306337001	9306337001	9306984014	9306984014	
5	Cabinet Front Panel, Plastic	9306016012	9306016012	9306016012	9306016012	
7	Connector Cover	9306018016	9306018016	9306018016	9306018016	
9	Cabinet Rear Panel, Plastic	9306017019	9306017019	9306017019	9306017019	
12	Base Assy, Painted	9304806042	9304806042	9304806042	9304806042	
13	3-Way Valve	9306252007	9306252007	9306252007	9306252007	
14	2-Way Valve	9306251000	9306251000	9306251000	9306251000	
16	Condenser Assy	9306743000	9306744007	9306743000	9306744007	
18	Suction Pipe	9306781019	9306774011	9306781019	9306774011	
19	Capillary Tube	9306940010	-	9306940010	-	
20	Discharge Pipe	-	9306771010	-	9306771010	
20	Discharge Pipe Assy	9306779016	-	9306779016	-	
26-6	BR Sheet 120x100xT5	9305039029	-	9305039029	-	
26-7	BR Sheet 30x120xT7	9305039036	9305039036	9305039036	9305039036	
26-9	BR Sheet 180x180xT2	-	9305039067	-	9305039067	
26-11	BR Sheet 50x190xT3	-	9300389068	-	9300389068	
32	Control Box Metal	9306475024	9306475024	9306475024	9306475024	
34	Capacitor (Fan Motor)	9700467038	9700467038	9700467038	9700467038	
37	Capacitor (Running)	9351578053	9351208011	9351578053	9351208011	
38	Clamp Metal (Capacitor)	313468061808	313468061808	313468061808	313468061808	
39	Propeller Fan	9306565015	9306565015	9306565015	9306565015	
41	Fan Motor Assy-Out	9600164150	9600164150	9600164150	9600164150	
42	Bracket (Motor)	9306021016	9306021016	9306021016	9306021016	
46	Compressor Assy	9305685004	9305684007	9305685004	9305684007	
47-2	Rubber (Discharge Pipe)	313185159802	-	313185159802	-	
48	Fan Ring	9306019013	9306019013	9306019013	9306019013	
51	Special Nut M5	313199233602	313199233602	313199233602	313199233602	
55	Special Nut M8	313252257701	313252257701	313252257701	313252257701	
62	Wire Assy(Shield)-A	9305695027	9305791026	9305695027	9305791026	
109	Terminal Cover	9302419008	9302419008	9302419008	9302419008	
138	Separate Wall Metal	9306474003	9306474003	9306474003	9306474003	
195	Clamp SKB-100	313361275805	313361275805	313361275805	313361275805	
196-2	Clamp SKB-3MC	9305335008	9305335008	9305335008	9305335008	
230	Overload Relay	9351537012	9351506018	9351537012	9351506018	
259	Muffler-A D28. 58	-	9305865000	-	9305865000	
329	Coupling Pipe Assy	-	9306775018	-	9306775018	
343	Solenoid Coil	-	9305784011	-	9305784011	
344	4-Way Valve	-	313947302811	-	313947302811	
365	Bracket (Valve)	9306020026	9306020026	9306020026	9306020026	
412	Terminal Gasket (For Comp.)	9351505011	9351505011	9351505011	9351505011	
420	Capillary Assy	-	9306671006	-	9306671006	
423	Noise Insulation-F	9306937010	9306937010	9306937010	9306937010	
582	Discharge Pipe-SF	9306115005	-	9306115005	-	
620	Inlet Pipe	-	9306783013	-	9306783013	
674	Screw, Coating SUS410T+5014	9305848010	9305848010	9305848010	9305848010	
	Screw, Tapping SUS410T+4014	9306379001	9306379001	9306379001	9306379001	
A	Screw (For Earth)	9357297002	9357297002	9357297002	9357297002	
688	Screw w/Washer	313681304205	313681304205	313681304205	313681304205	
765	Drain Pipe (L-type)	-	9301102000	-	9301102000	
766	Drain Pipe Packing	-	9301143003	-	9301143003	
781	Rubber Cushion	9300293013	9300293013	9300293013	9300293013	
815	Terminal-2P	9306489014	-	9306489014	-	
815	Terminal-4P	-	9306488017	-	9306488017	
820	Joint Pipe (Capillary)	9305680009	-	9305680009	-	
916	Noise Insulation-G	9305910007	9306098001	9305910007	9306098001	
935	Reinforcement Plate	9306473006	9306473006	9306473006	9306473006	
942	Control Box Cover Metal	9306476007	9306476007	9306476007	9306476007	
916	Noise Insulation-G	9305910007	9306098001	9305910007	9306098001	
935	Reinforcement Plate	9306473006	9306473006	9306473006	9306473006	
942	Control Box Cover Metal	9306476007	9306476007	9306476007	9306476007	
942-2	Cont. Box Cover-B Metal	9305975006	9305975006	9305975006	9305975006	
982	Cord Clamp, Plastic	9302271002	9302271002	9302271002	9302271002	
985	Special Nut w/Washer	9304902003	9304902003	9304902003	9304902003	
986	Special Washer	9304903000	9304903000	9304903000	9304903000	

When you order parts, please make a photocopy of this page
 and fill the number of the parts in the "Order" column.

INDOOR UNIT

Ref. No.	Description	Part No.				Order Q'ty
		ASYTASCCW	ASYTRSCCW	ASY7ASDCW	ASY7RSDCW	
28	Blower Cover	9306462000	9306462000	9306462000	9306462000	
34	Capacitor (Fan Motor)	9702105020	9702105020	9702105020	9702105020	
63	Front Panel Assy	9306268060	9306268060	9306268084	9306268084	
65	Flow Control Panel-2	9306058012	9306058012	9306058012	9306058012	
69	Louver-A	9306055028	9306055028	9306055028	9306055028	
74	Filter	9305444014	9305444014	9305444014	9305444014	
108	Base	9305427017	9305427017	9305427017	9305427017	
109	Casing	9306052027	9306052027	9306052027	9306052027	
122	Shaft Holder-B	9303066010	9303066010	9303066010	9303066010	
127	Drain Hose Assy	9305550029	9305550029	9305550029	9305550029	
146	Evaporator Assy	9306904005	9306742003	9306904005	9306742003	
151	Control Box	9306763015	9306763015	9306763015	9306763015	
158	Connecting Pipe Assy	9306699000	9306699000	9306699000	9306699000	
164	Fan Motor Assy-IN	9306448011	9306448011	9306448011	9306448011	
169	Cross-Flow Fan Assy	9305435012	9305435012	9305435012	9305435012	
178	Motor Cushion-B	9306274009	9306274009	9306274009	9306274009	
184	Thermistor Spring	313104262701	313104262701	313104262701	313104262701	
185	Wire Clamp	9305940004	9305940004	9305940004	9305940004	
188	Power Cord Assy	9701758012	9701758012	9701758012	9701758012	
196	Clamp SKB-150	313035356905	313035356905	313035356905	313035356905	
233	Power Transformer	9702015015	9702015015	9702015015	9702015015	
235	Thermistor Assy-Pipe	9701102013	9701102013	9701102013	9701102013	
236	Controller PCB Assy	9701999019	9701998012	9701999019	9701998012	
240	Remote Control Unit	9306049010	9306049027	9306049010	9306049027	
281	Clamp Metal (Pipe)	9306063009	9306063009	9306063009	9306063009	
283	Bushing-A	9303529010	9303529010	9303529010	9303529010	
323	Louver-B	9306056025	9306056025	9306056025	9306056025	
385	Indicator PCB Assy	9701700011	9701700011	9701700011	9701700011	
401	Wall Hook Bracket	9304358008	9304358008	9304358008	9304358008	
440	Flow Control Panel-U	9306057015	9306057015	9306057015	9306057015	
466	Clamp NK-4N	313714328805	313714328805	313714328805	313714328805	
522-1	Gear-A	9306062002	9306062002	9306062002	9306062002	
523	Gear Bracket	9306407001	9306407001	9306407001	9306407001	
652-1	Thermistor Holder Pipe	313714262805	313714262805	313714262805	313714262805	
668	Screw w/Washer	313681304205	313681304205	313681304205	313681304205	
687	Earth Terminal	9306483005	9306483005	9306483005	9306483005	
743	Remote Cont. Holder Case	9305642014	9305642014	9305642014	9305642014	
759	Intake Grille	9306051013	9306051013	9306051013	9306051013	
764	Drain Cap Assy	9304150008	9304150008	9304150008	9304150008	
767-1	Bottom Cover-A	9306053017	9306053017	9306053017	9306053017	
767-2	Bottom Cover-B	9306054014	9306054014	9306054014	9306054014	
780	Key Top (Slide Switch)	9303526002	9303526002	9303526002	9303526002	
815	Terminal	9701955022	9701955039	9701955022	9701955039	
850	Window (Receiver)	9306059019	9306059019	9306059019	9306059019	
872	Indicator Case	9306061005	9306061005	9306061005	9306061005	
873	Lamp Cover	9306060008	9306060008	9306060008	9306060008	
874	Control Box Cover	9305977017	9305977017	9305977017	9305977017	
875	Power Supply PCB Assy	9702001018	9702000011	9702001018	9702000011	
876	Step Motor	9305892006	9305892006	9305892006	9305892006	
962-1	Guard Holder-L	9306678012	9306678012	9306678012	9306678012	
962-2	Guard Holder-R	9306677015	9306677015	9306677015	9306677015	
963	Fan Guard	9305751013	9305751013	9305751013	9305751013	
968	Relay PCB Assy	9701920013	9701920013	9701920013	9701920013	

When you order parts, please make a photocopy of this page and fill the number of the parts in the "Order" column.

OUTDOOR UNIT

Ref. No.	Description	Part No.				Order
		AOYTASCC	AOYTRSCC	AOYTASDC	AOYTRSDC	Q'ty
4	Emblem-Rear	9306337001	9306337001	9306984014	9306984014	
5	Cabinet Front Panel, Plastic	9306016012	9306016012	9306016012	9306016012	
7	Connector Cover	9306018016	9306018016	9306018016	9306018016	
9	Cabinet Rear Panel, Plastic	9306017019	9306017019	9306017019	9306017019	
12	Base Assy, Painted	9304806042	9304806042	9304806042	9304806042	
13	3-Way Valve	9307065019	9307065019	9307065019	9307065019	
14	2-Way Valve	9307064012	9307064012	9307064012	9307064012	
16	Condenser Assy	9306972004	9306971007	9306972004	9306971007	
18	Suction Pipe	9306781019	9306774011	9306781019	9306774011	
19	Capillary Tube	9306940010	-	9306940010	-	
20	Discharge Pipe	-	9306771010	-	9306771010	
20	Discharge Pipe Assy	9306779016	-	9306779016	-	
26-6	BR Sheet 120x100xT5	9305039029	-	9305039029	-	
26-7	BR Sheet 30x120xT7	9305039036	9305039036	9305039036	9305039036	
26-9	BR Sheet 180x180xT2	-	9305039067	-	9305039067	
26-11	BR Sheet 50x190xT3	-	9300389068	-	9300389068	
32	Control Box Metal	9306475024	9306475024	9306475024	9306475024	
34	Capacitor (Fan Motor)	9306759018	9306759018	9306759018	9306759018	
37	Capacitor (Running)	9306512040	9306512033	9306512040	9306512033	
38	Clamp Metal (Capacitor)	313468061808	313468061808	313468061808	313468061808	
39	Propeller Fan	9306565015	9306565015	9306565015	9306565015	
41	Fan Motor Assy-Dut	9307111013	9307111013	9307111013	9307111013	
42	Bracket (Motor)	9306021016	9306021016	9306021016	9306021016	
46	Compressor Assy	9307009006	9307008009	9307009006	9307008009	
47-2	Rubber (Discharge Pipe)	313185159802	-	313185159802	-	
48	Fan Ring	9306019013	9306019013	9306019013	9306019013	
51	Special Nut M5	313199233602	313199233602	313199233602	313199233602	
55	Special Nut M8	313252257701	313252257701	313252257701	313252257701	
62	Wire Assy(Shield)-A	9305695027	9305791026	9305695027	9305791026	
109	Terminal Cover	9302419008	9302419008	9302419008	9302419008	
138	Separate Wall Metal	9306474003	9306474003	9306474003	9306474003	
195	Clamp SKB-100	313361275805	313361275805	313361275805	313361275805	
196-2	Clamp SKB-3MC	9305335008	9305335008	9305335008	9305335008	
230	Overload Relay	9351537012	9351506018	9351537012	9351506018	
259	Muffler-A D28. 58	-	9305865000	-	9305865000	
329	Coupling Pipe Assy	-	9306775018	-	9306775018	
343	Solenoid Coil	-	9305784011	-	9305784011	
344	4-Way Valve	-	313947302811	-	313947302811	
365	Bracket (Valve)	9306020026	9306020026	9306020026	9306020026	
412	Terminal Gasket (For Comp.)	9351505011	9351505011	9351505011	9351505011	
420	Capillary Assy	-	9306671006	-	9306671006	
423	Noise Insulation-F	9306937010	9306937010	9306937010	9306937010	
582	Discharge Pipe-SF	9306115005	-	9306115005	-	
620	Inlet Pipe	-	9306783013	-	9306783013	
674	Screw, Coating SUS410T+5014	9305848010	9305848010	9305848010	9305848010	
	Screw, Tapping SUS410T+4014	9306379001	9306379001	9306379001	9306379001	
A	Screw (For Earth)	9357297002	9357297002	9357297002	9357297002	
688	Screw w/Washer	313681304205	313681304205	313681304205	313681304205	
765	Drain Pipe (L-type)	-	9301102000	-	9301102000	
766	Drain Pipe Packing	-	9301143003	-	9301143003	
781	Rubber Cushion	9300293013	9300293013	9300293013	9300293013	
815	Terminal-2P	9306489014	-	9306489014	-	
815	Terminal-4P	-	9306488017	-	9306488017	
820	Joint Pipe (Capillary)	9305680009	-	9305680009	-	
916	Noise Insulation-G	9305910007	9306098001	9305910007	9306098001	
935	Reinforcement Plate	9306473006	9306473006	9306473006	9306473006	
942	Control Box Cover Metal	9306476007	9306476007	9306476007	9306476007	
916	Noise Insulation-G	9305910007	9306098001	9305910007	9306098001	
935	Reinforcement Plate	9306473006	9306473006	9306473006	9306473006	
942	Control Box Cover Metal	9306476007	9306476007	9306476007	9306476007	
942-2	Cont. Box Cover-B Metal	9305975006	9305975006	9305975006	9305975006	
982	Cord Clamp, Plastic	9302271002	9302271002	9302271002	9302271002	
985	Special Nut w/Washer	9304902003	9304902003	9304902003	9304902003	
986	Special Washer	9304903000	9304903000	9304903000	9304903000	

When you order parts, please make a photocopy of this page and fill the number of the parts in the "Order" column.

CONTROLLER PCB ASSEMBLY (Ref. No. 236)

() : Reverse cycle type

Ref. No.	Description	Part No.	Ord. Q' ty	Ref. No.	Description	Part No.	Ord. Q' ty
IC1	IC MB89625R-SH-378	1300862015		(JP1~3)	Res. 0Ω	0200230016	
IC2	IC NJM2904M	0100534054		JC1~4, 6~9, 11~17	Res. 0Ω	0200230016	
IC3, 4	IC MC1413D	0101736013		C1	Cap. Elec. 50V 10μF	0300003145	
IC5	IC PST600CMTR	0101461120		C2~5, 8~16, 18, 19	Cap. Ceramic 25V 0.1μF	1902783046	
IC6	IC S29130ADFJ-TB	0101919218		C20, 21	Cap. Ceramic 16V 1μF	1800119015	
Q1, 2	Xstr DTC124EK	0000517034		C22	Cap. Ceramic 50V 1000pF	1902829072	
R1	Res. 1.5kΩ±5%	0200212784		X1	Ceramic Resonator CST8. 38MTW-TF01	1300116019	
R2, 7, 33~36	Res. 22kΩ±5%	0200213095		BZ1	Buzzer PKM13EPY-4000-TF01	9701298013	
R3, 9, 13, 26	Res. 1kΩ±5%	0200212746		SW1	Key Switch EVQ-PFE04R	1903256013	
R4	Res. 4.7kΩ±5%	0200212906		JP5~8	Wire IPS-3043-02	1903332014	
R5, 11, 12, 14~ 25, 27, 39, 44, 46, 47	Res. 10kΩ±5%	0200213019		CN1	Plug. PCB B5P-SHF-1AA	0500006069	
R6	Res. 33kΩ±5%	0200213132		CN2	Plug. PCB 150-103-86111	9700801061	
R8	Res. 1MΩ±5%	0200213491		CN3	Plug. PCB B2B-XH-AM	0500005321	
R10	Res. 1.2kΩ±5%	0201001769		CN4	Plug. PCB 53324-0710	0501052065	
R32	Res. 100kΩ±5%	0200213255		CN5	Plug. PCB 53325-1010	0501052591	
R37	Res. 10kΩ±0.5%	0201027257		CN7	Plug. PCB S3P-VH	0500011308	
R38	Res. 49.9kΩ±0.5%	0201027554		CN8	Plug. PCB B2B-XASK-1-A	0501045012	
R40	Res. 330Ω±5%	0200212623		CN9	Plug. PCB 917072-7	0501065010	
R41~43	Res. 820Ω±5%	0200691800					

POWER SUPPLY PCB ASSEMBLY (Ref. No. 875)

() : Reverse cycle type

Ref. No.	Description	Part No.	Ord. Q' ty	Ref. No.	Description	Part No.	Ord. Q' ty
IC101	IC NJM7805FA	0100462081		L101	EMI Filter PLAA6020R8R01B1	0400153078	
Q101	Xstr 2SD880	0000001014		SW101	Switch, Slide 8SS1012-1	9701426010	
D101~104, 106 ~108	Diode D1F60	0000208024		HT101	Heat Sink B.PUE-16	9701376018	
D105	Diode MTZJ15C	0000852203		F101	Fuse 3.15A - 250V	0600222512	
R101	Res. 10kΩ±5%	0200709017		FH101, 102	Fuse Holder PFC5000-0502	0500158072	
R102	Res. 1kΩ±5%	0200708744		JM101	Wire 0.6 dia. L=10mm	9700025016	
C101, 102	Cap. Ceramic 4700pF	0300727546		W101	Wire w/Terminal L=210	9701660018	
C103, 104	Cap. Plastic 0.1μF	0300894835		(W102)	Wire w/Terminal L=250	9701802036	
C105	Cap. Elec. 35V 3300μF	0301129073		W103	Wire w/Terminal L=225	9701657018	
C106	Cap. Elec. 25V 2200μF	0300213285		W104	Wire w/Terminal L=150	9701658015	
C107~109	Cap. Elec. 25V 10μF	0301192312		W105	Wire w/Terminal L=240	9701802029	
C110	Cap. Ceramic 25V 0.1μF	0300266748		CN101	Plug. PCB B3P5-VH-B	0500011735	
(CR101, 102)	Network RPPEL-121204	9701125012		CN102	Plug. PCB B2P3-VH-B-R	0500011766	
VA101	Varistor TNR12G471K	0000038010		CN103	Plug. PCB 53405-0210	0500940011	
SSR101	Relay G3MB-202PL-UTU	9701375011		CN104	Plug. PCB B2B-XARK-1-A	0501045210	
(K101, 102)	Relay JQ1-12V	9701316014		CN105	Plug. PCB B2P3-VH-B-Y	0500011827	
				CN106	Wire w/Connector L=100	9701424016	



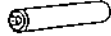




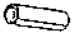


INDICATOR PCB ASSEMBLY (Ref. No. 385)

RELAY PCB ASSEMBLY (Ref. No. 968)

Ref. No.	Description	Part No.	Ord. Q' ty
D201	Diode SLR-325VC RED	0000813259	
D202	Diode SLR-325MC GRN	0000813242	
D203	Diode SLR-325DC DRG	0000813235	
C201	Cap. Ceramic 0.1μF	0300988251	
C202	Cap. Elec. 25V 10μF	0300504413	
X201	Remote Control Amplifier SBX1610-22	0100417050	
CN201	Wire w/Connector L=250 Lamp Cover	9701397020 9306060008	

Ref. No.	Description	Part No.	Ord. Q' ty
D301	Diode D1F60	0000208024	
K301	Relay G4A-1A-PS	9701024018	
CN301	Wire w/Connector L=140	9701279012	

STANDARD ACCESSORIES

Name and shape	Part No.	
	ASY7ASC-W, ASYTASCCW ASY7ASD-W, ASYTASDCW	ASY7RSC-W, ASY7RSCCW ASY7RSD-W, ASY7RSDCW
Wall hook bracket 	9304358008	9304358008
Remote control unit 	9306049010	9306049027
Battery 	303087358304	303087358304
Cable mark 	—	9301385007
Tapping screw (Big) ($\phi 4 \times 20$) 	301141164200	301141164200
Tapping screw (Small) ($\phi 3 \times 12$) 	301141533125	301141533125
Remote control unit holder 	9305642014	9305642014
Cloth tape 	9304232001	9304232001
Hexagon wrench 	9351228019	9351228019
Drain pipe (including drain packing) 	—	9303029015

FUJITSU
FUJITSU GENERAL LIMITED