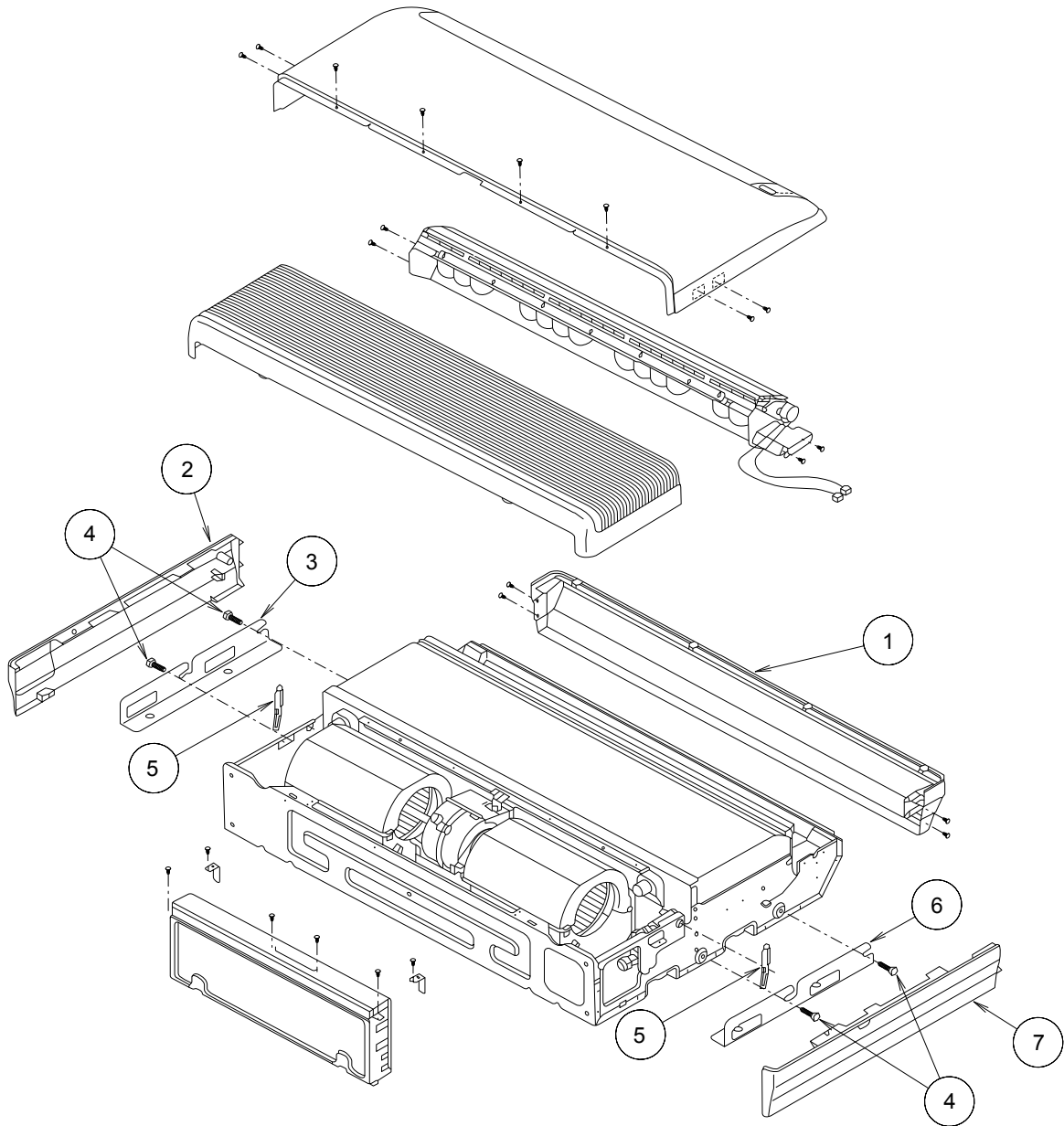
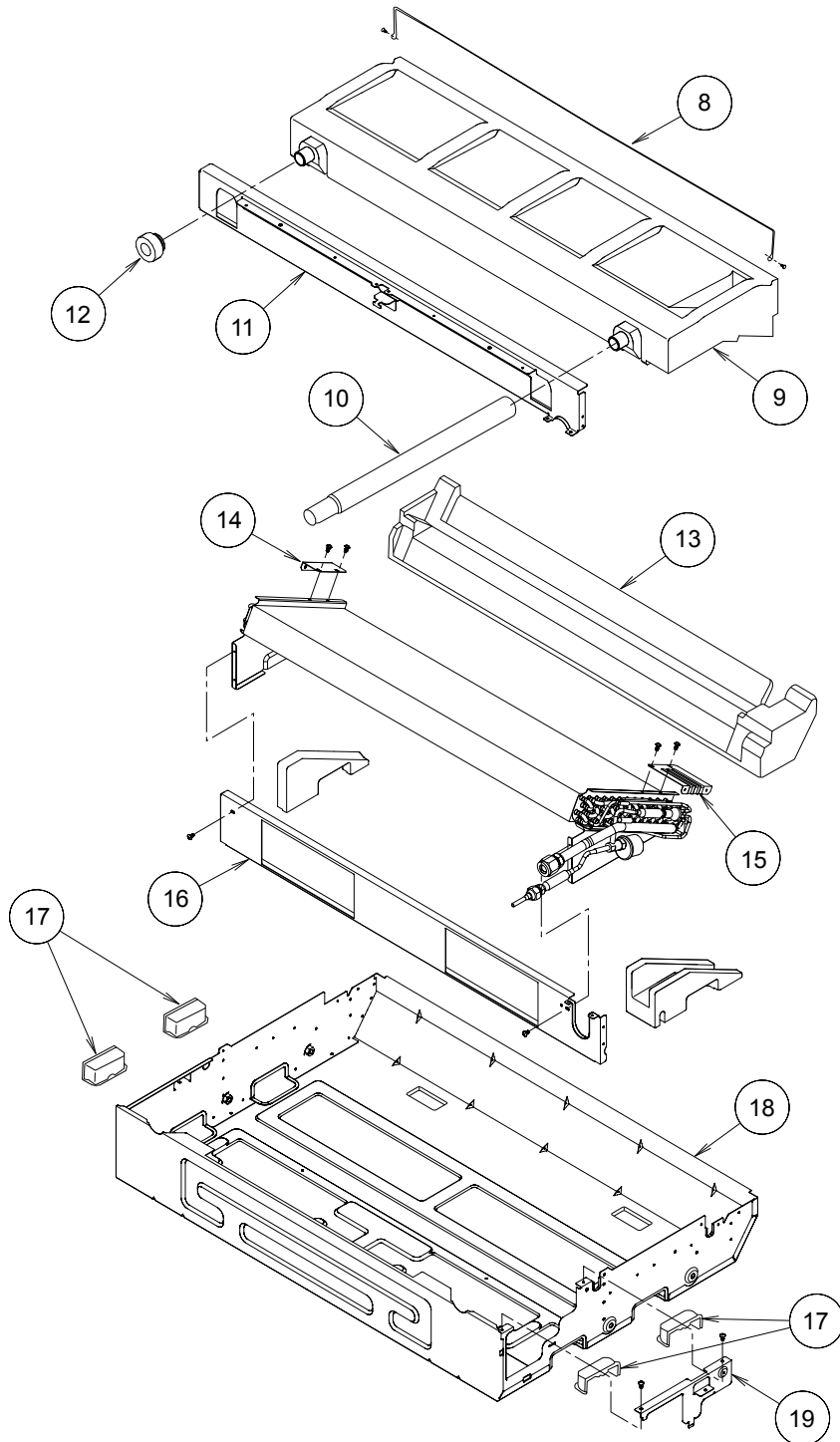


MODELS : AB*A12/ 14/ 18/ 24GATH



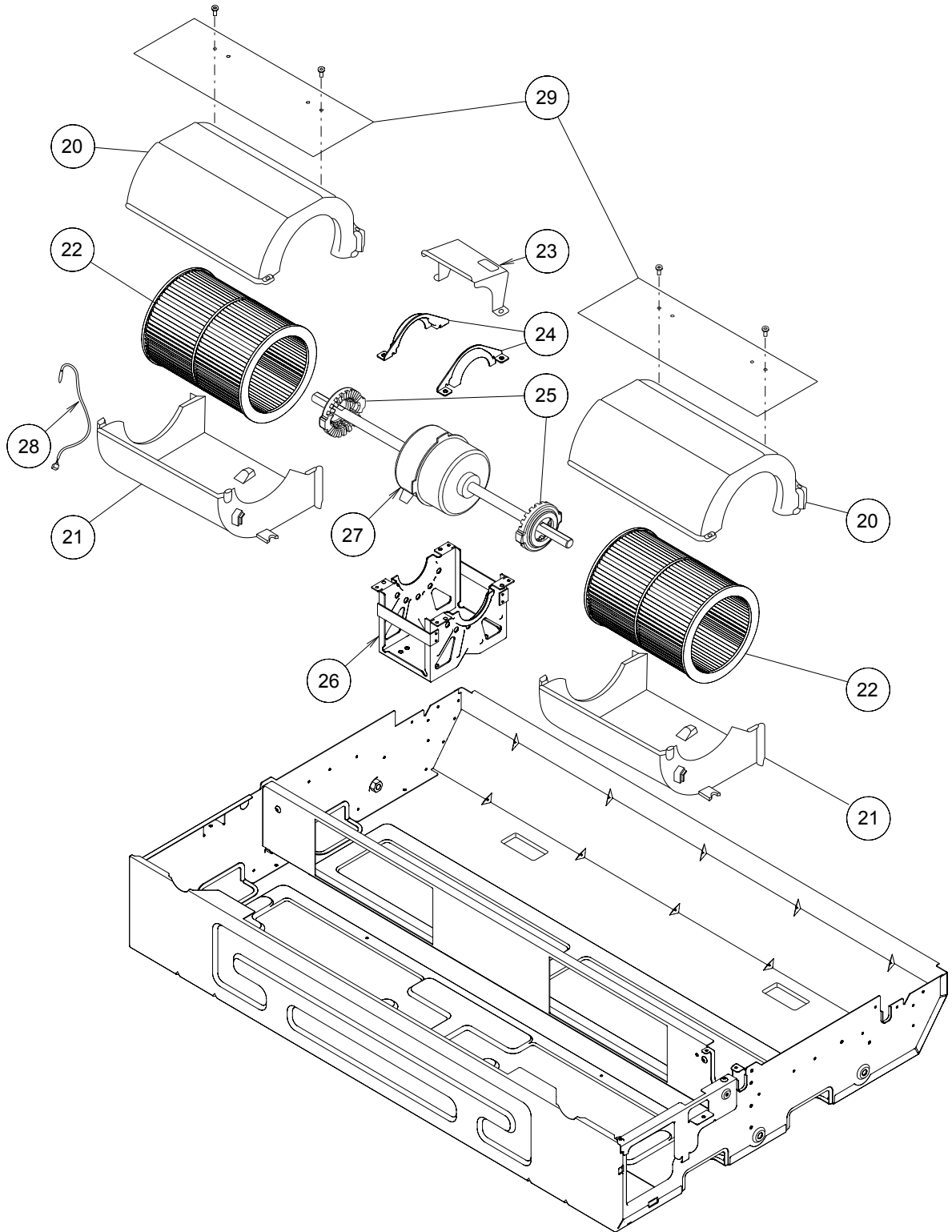
Ref No.	Description	Parts No.				Q'ty
		AB*A12GATH	AB*A14GATH	AB*A18GATH	AB*A24GATH	
1	TOP COVER	9358534021	9358534021	9358534021	9358534021	
2	COSMETIC PANEL L	9358536025	9358536025	9358536025	9358536025	
3	HANGER L	9358596005	9358596005	9358596005	9358596005	
4	HEXAGON BOLT	9379955003	9379955003	9379955003	9379955003	
5	ARM	9358565001	9358565001	9358565001	9358565001	
6	HANGER R	9358595008	9358595008	9358595008	9358595008	
7	COSMETIC PANEL R	9358535028	9358535028	9358535028	9358535028	

MODELS : AB*A12/ 14/ 18/ 24GATH



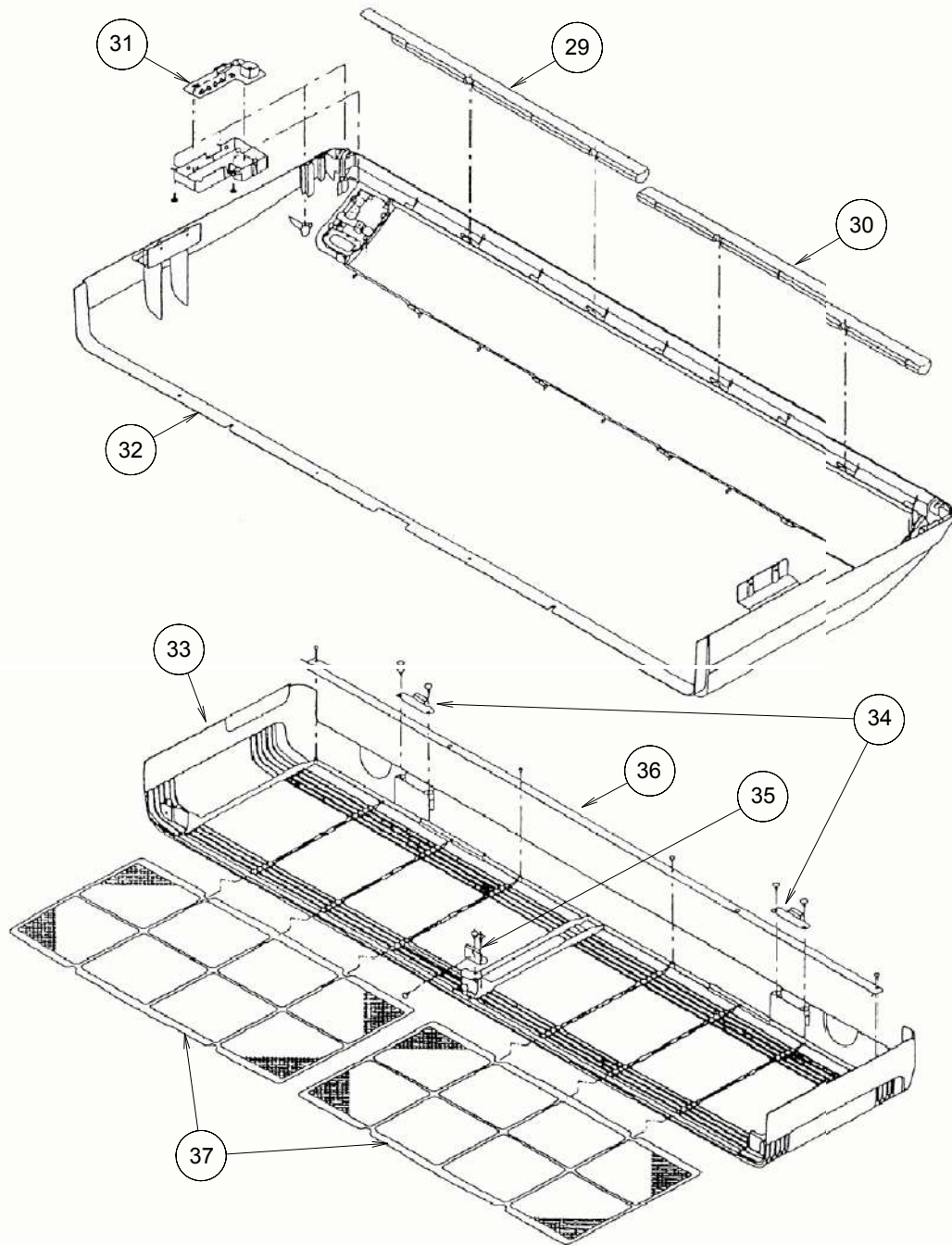
Ref No.	Description	Parts No.				Q'ty
		AB*A12GATH	AB*A14GATH	AB*A18GATH	AB*A24GATH	
8	WIRE (DRAIN PAN)	9358598009	9358598009	9358598009	9358598009	
9	KIT (DRAIN PAN SUB ASSY)	9372669020	9372669020	9372669020	9372669020	
10	DRAIN HOSE ASSY	9377785060	9377785060	9377785060	9377785060	
11	KIT (SEPARATE WALL B SUB ASSY)	9373448013	9373448013	9373448013	9373448013	
12	DRAIN CAP	9358746004	9358746004	9358746004	9358746004	
13	INSULATION FLAP BASE	9372672020	9372672020	9372672020	9372672020	
14	BRACKET (EVA) L SUB ASSY	9372675014	9372675014	9372675014	9372675014	
15	BRACKET (EVA) R SUB ASSY	9372674017	9372674017	9372674017	9372674017	
16	KIT (SEPARATE WALL A)	9372666012	9372666012	9372666012	9372666012	
17	CAP	9358563007	9358563007	9358563007	9358563007	
18	BASE ASSY	9359061014	9359061014	9359061014	9359061014	
19	RFM (BASE BRACKET)	9358586006	9358586006	9358586006	9358586006	

MODELS : AB*A12/ 14/ 18/ 24GATH



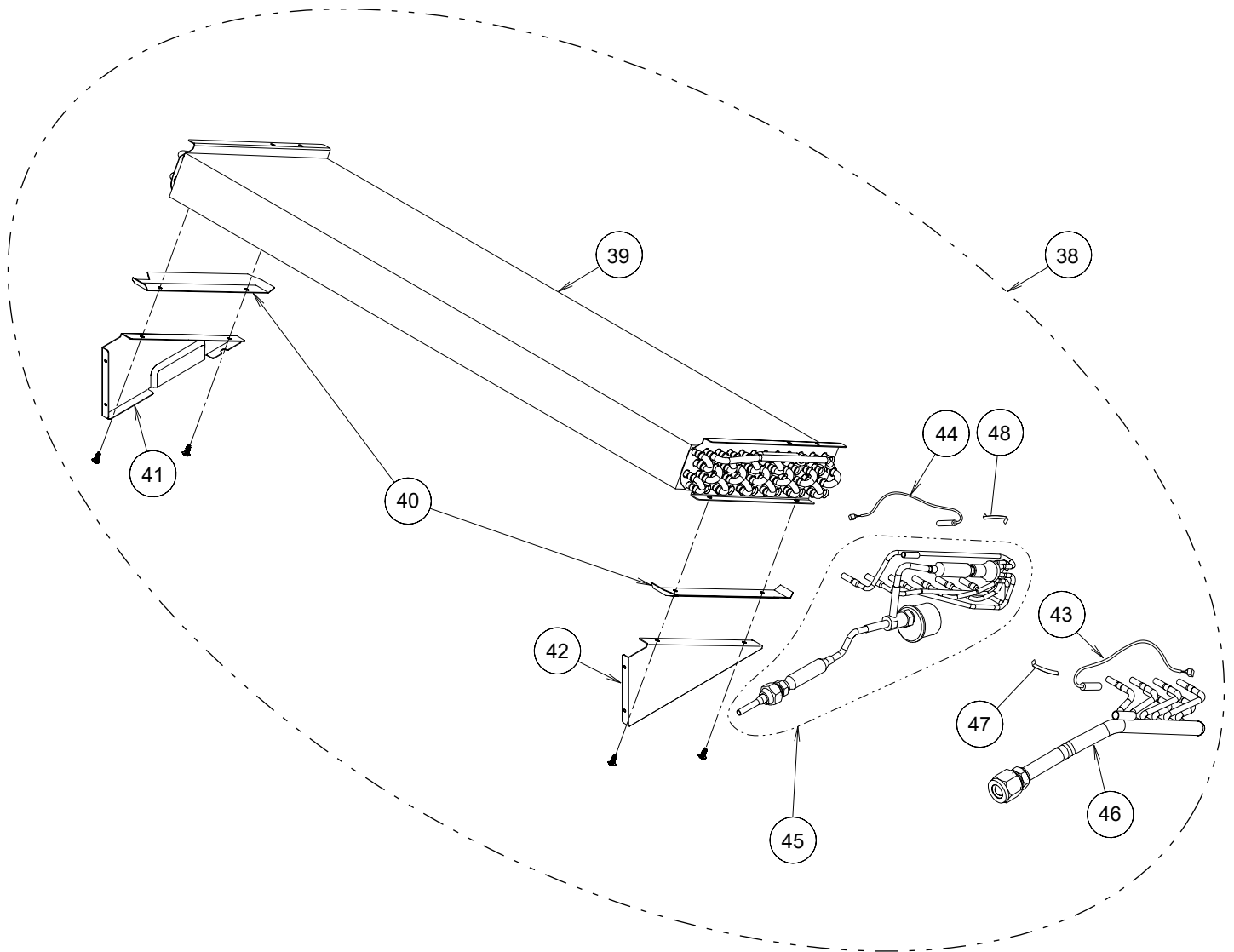
Ref No.	Description	Parts No.				Q'ty
		AB*A12GATH	AB*A14GATH	AB*A18GATH	AB*A24GATH	
20	CASING COVER	9358544006	9358544006	9358544006	9358544006	
21	CASING	9358543009	9358543009	9358543009	9358543009	
22	SIROCCO FAN ASSY	9385258006	9385258006	9385258006	9385258006	
23	PROTECTOR	9359282006	9359282006	9359282006	9359282006	
24	BRACKET (MOTOR)	9358594001	9358594001	9358594001	9358594001	
25	RUBBER (VIBRATION PROOF)	9385102002	9385102002	9385102002	9385102002	
26	BRACKET (MOTOR) ASSY	9358591000	9358591000	9358591000	9358591000	
27	MOTOR, DC BRUSHLESS	9603137014	9603137014	9603137014	9603137014	
28	THERMISTOR (ROOM)	9703299087	9703299087	9703299087	9703299087	
29	BARRIER	9380671008	9380671008	9380671008	9380671008	

MODELS : AB*A12/ 14/ 18/ 24GATH



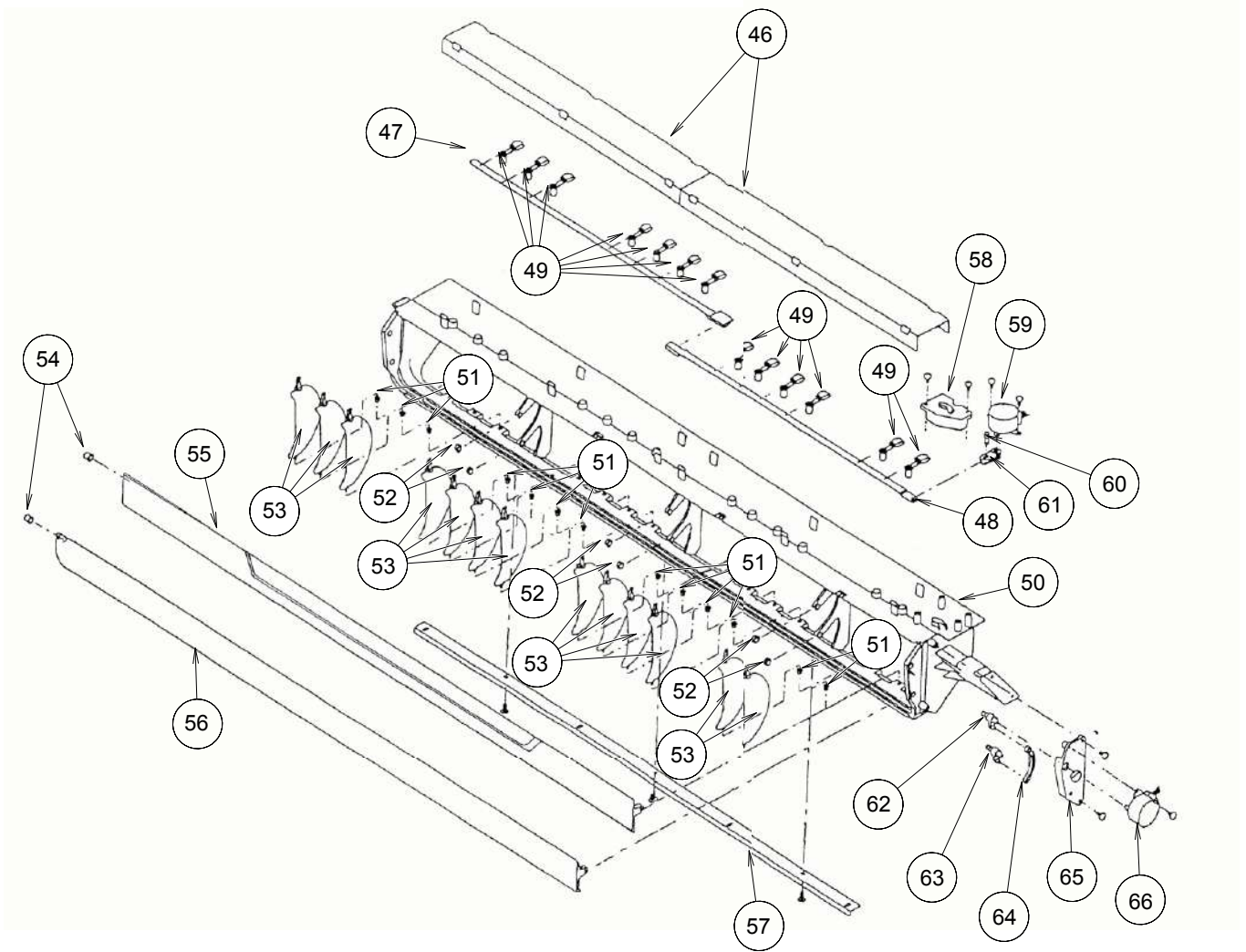
Ref No.	Description	Parts No.				Q'ty
		AB*A12GATH	AB*A14GATH	AB*A18GATH	AB*A24GATH	
29	FORM (PANEL) A	9358574003	9358574003	9358574003	9358574003	
30	FORM (PANEL) B	9358914007	9358914007	9358914007	9358914007	
31	INDICATION PCB	9705798069	9705798069	9705798069	9705798069	
32	PANEL ASSY	9359076230	9359076230	9359076230	9359076230	
33	GRILLE F	9358532027	9358532027	9358532027	9358532027	
34	SUPPORT GRILLE	9358602003	9358602003	9358602003	9358602003	
35	BRACKET (ARM)	9359281009	9359281009	9359281009	9359281009	
36	FILTER BRACKET	9358607008	9358607008	9358607008	9358607008	
37	AIR FILTER	9358567029	9358567029	9358567029	9358567029	

MODELS : AB*A12/ 14/ 18/ 24GATH



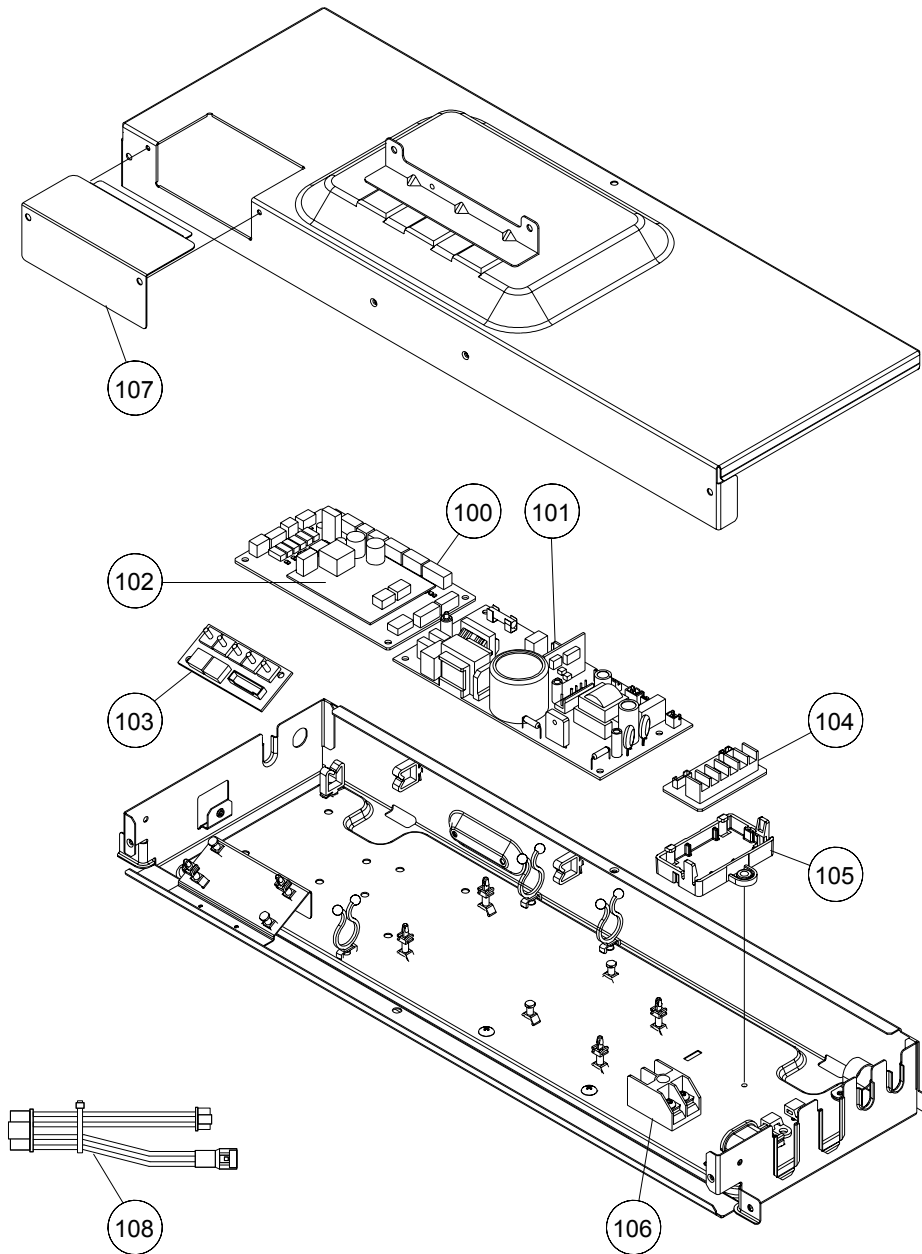
Ref No.	Description	Parts No.				Q'ty
		AB*A12GATH	AB*A14GATH	AB*A18GATH	AB*A24GATH	
38	EVAPORATOR SUB ASSY	9359051374	9359051381	9359051398	9359051404	
39	EVAPORATOR ASSY	9362513098	9362513104	9362513104	9362513111	
40	DEW PROOF PLATE	9372673010	9372673010	9372673010	9372673010	
41	BRACKET A (EVA) L	9372668016	9372668016	9372668016	9372668016	
42	BRACKET A (EVA) R	9372667019	9372667019	9372667019	9372667019	
43	THERMISTOR (PIPE-OUT)	9900498047	9900498047	9900498047	9900498047	
44	THERMISTOR (PIPE-IN)	9900509002	9900509002	9900509002	9900509002	
45	DISTRIBUTOR ASSY	9380354048	9380354055	9380354130	9380354130	
46	COUPLING PIPE ASSY	9380355045	9380355052	9373038658	9373038665	
47	THERMISTOR SPRING A	313728262708	313728262708	313728262708	313728262708	
48	THERMISTOR SPRING B	9316577008	9316577008	9316577008	9316577008	

MODELS : AB*A12/ 14/ 18/ 24GATH



Ref No.	Description	Parts No.				Q'ty
		AB*A12GATH	AB*A14GATH	AB*A18GATH	AB*A24GATH	
46	PROTECT COVER	9358564011	9358564011	9358564011	9358564011	
47	ROD (LOUVER)	9358559017	9358559017	9358559017	9358559017	
48	ROD (MOTOR)	9358560013	9358560013	9358560013	9358560013	
49	STOPPER (LOUVER)	9358555002	9358555002	9358555002	9358555002	
50	FLAP BASE	9358537022	9358537022	9358537022	9358537022	
51	BUSHING B	9358554005	9358554005	9358554005	9358554005	
52	BUSHING C	9358553008	9358553008	9358553008	9358553008	
53	LOUVER	9358561027	9358561027	9358561027	9358561027	
54	BUSHING	9357942001	9357942001	9357942001	9357942001	
55	FLAP (UPPER) F	9358538029	9358538029	9358538029	9358538029	
56	FLAP (LOWER)	9358541029	9358541029	9358541029	9358541029	
57	SUPPORT STAY	9358599006	9358599006	9358599006	9358599006	
58	LINK COVER (LOUVER)	9358558010	9358558010	9358558010	9358558010	
59	MOTOR, STEP	9900297015	9900297015	9900297015	9900297015	
60	SHAFT (LOUVER)	9358557006	9358557006	9358557006	9358557006	
61	LINK (LOUVER)	9358556009	9358556009	9358556009	9358556009	
62	FLAP LINK (UPPER)	9358551004	9358551004	9358551004	9358551004	
63	FLAP LINK (LOWER)	9358552001	9358552001	9358552001	9358552001	
64	ROD A	9358550007	9358550007	9358550007	9358550007	
65	MOTOR BASE	9358562017	9358562017	9358562017	9358562017	
66	MOTOR, STEP	9900362010	9900362010	9900362010	9900362010	

MODELS : AB*A12/ 14/ 18/ 24GATH



Ref No.	Description	Parts No.				Q'ty
		AB*A12GATH	AB*A14GATH	AB*A18GATH	AB*A24GATH	
100	CONTROLLER PCB	9708970127	9708970127	9708970127	9708970127	
101	POWER SUPPLY PCB	9708975023	9708975023	9708975023	9708975023	
102	COMMUNICATION PCB	9709373019	9709373019	9709373019	9709373019	
103	SWITCH PCB	9707732016	9707732016	9707732016	9707732016	
104	TERMINAL PCB	9707736014	9707736014	9707736014	9707736014	
105	PWB HOLDER B	9378345010	9378345010	9378345010	9378345010	
106	TERMINAL 2P	9703873027	9703873027	9703873027	9703873027	
107	CONTROL BOX COVER B	9379841009	9379841009	9379841009	9379841009	
108	THERMISTOR CONNECTION WIRE	9707854046	9707854046	9707854046	9707854046	
-	FUSE 250V 3.15A (POWER SUPPLY PCB F101)	0600376062	0600376062	0600376062	0600376062	
-	FUSE HOLDER	0501707019	0501707019	0501707019	0501707019	