

SPLIT TYPE
ROOM AIR CONDITIONER
**FLOOR CONSOLE /
UNDER CEILING**
DUAL type

SERVICE MANUAL



Indoor unit	Outdoor unit
ABY18FBBJ	AOY18FNBK
ABY18FBBJ	AOY18FNBN
ABY18UBBJ	AOY18UNBKL
ABY18UBBJ	AOY18UNBNL
ABY24FBBJ	AOY24FNBK
ABY24FBBJ	AOY24FNBN
ABY24UBBJ	AOY24UNBKL
ABY24UBBJ	AOY24UNBNL

CONTENTS

SPECIFICATIONS	1
OUTLINE AND DIMENSIONS	3
REFRIGERANT SYSTEM DIAGRAM.....	5
CIRCUIT DIAGRAM.....	7
INDOOR PCB CIRCUIT DIAGRAM.....	9
ERROR DISPLAY.....	11
DISASSEMBLY ILLUSTRATION.....	12
PARTS LIST.....	25
STANDARD ACCESSORIES	29

SPECIFICATIONS

TYPE	Cooling	
INDOOR UNIT	ABY18FBBJ	ABY24FBBJ
OUTDOOR UNIT	AOY18FNBK AOY18FNBN	AOY24FNBK AOY24FNBN
COOLING CAPACITY	5.40 kW	6.50 kW

ELECTRICAL DATA

POWER SOURCE	230 V	230 V
FREQUENCY	50 Hz	50 Hz
RUNNING CURRENT	8.5 A	11.0 A
INPUT WATTS	1.92 kW	2.45 kW
E.E.R.	2.81 kW/kW	2.65 kW/kW
MOISTURE REMOVAL	2.0 l/hr	2.5 l/hr
AIR CIRCULATION high	780 m ³ /hr	880 m ³ /hr

COMPRESSOR

TYPE	Hermetic type, Deposit electrode condenser, 2 poles. Single phase, Induction motor, Rotary	
DISCRIMINATION	5KS225DAC	5JS290DAA
REFRIGERANT R410A	900 g	1,550 g

FAN MOTOR

POWER SOURCE		230 V	
INDOOR UNIT	Discrimination	MFA-18JTT	MFA-24JTT
	High speed	1,030 r.p.m.	1,180 r.p.m.
	Med speed	890 r.p.m.	1,040 r.p.m.
	Low speed	770 r.p.m.	900 r.p.m.
OUTDOOR UNIT	Discrimination	MFB-24JTT	
	High speed	780 r.p.m.	

DIMENSIONS

INDOOR UNIT	H x W x D	199 x 990 x 655 mm
OUTDOOR UNIT	H x W x D	650 x 830 x 320 mm

WEIGHT

INDOOR UNIT	GROSS / NET	37 kg / 28 kg	
OUTDOOR UNIT	GROSS / NET	51 kg / 47 kg	62 kg / 58 kg

REFRIGERANT CHARGE (R410A)

FULL CHARGE AMOUNT	PIPE LENGTH	7.5 m (25 ft)	900 g (31.8oz)	1,550 g (54.7oz)
		10 m (33 ft)	950 g (33.5oz)	1,600 g (56.4oz)
		15 m (49 ft)	1,050 g (37.0oz)	1,700 g (60.0oz)
		20 m (66 ft)	1,150 g (40.6oz)	1,800 g (63.5oz)
ADDITIONAL REFRIGERANT		20 g/m (0.71oz / 3.3ft)		

TYPE	Cool and Heat	
INDOOR UNIT	ABY18UBBJ	ABY24UBBJ
OUTDOOR UNIT	AOY18UNBKL AOY18UNBNL	AOY24UNBKL AOY24UNBNL
COOLING CAPACITY	5.40 kW	6.50 kW
HEATING CAPACITY	6.00 kW	7.40 kW

ELECTRICAL DATA

POWER SOURCE		230 V	
FREQUENCY		50 Hz	
RUNNING CURRENT	COOLING	8.6 A	10.8 A
	HEATING	8.3 A	10.3 A
INPUT WATTS	COOLING	1.90 kW	2.42 kW
	HEATING	1.85 kW	2.30 kW
E.E.R.	COOLING	2.84 kW/kW	2.69 kW/kW
	HEATING	3.24 kW/kW	3.22 kW/kW
MOISTURE REMOVAL		2.0 l/hr	2.5 l/hr
AIR CIRCULATION high		780 m ³ /hr	880 m ³ /hr

COMPRESSOR

TYPE	Hermetic type, Deposit electrode condenser, 2 poles, Single phase, Induction motor, Rotary		
DISCRIMINATION		5KS225DAC	5JS290DAA
REFRIGERANT	R410A	1,550 g	1,700 g

FAN MOTOR

POWER SOURCE		230 V	
INDOOR UNIT	Discrimination	MFA-18JTT	MFA-24JTT
	High speed	1,030 r.p.m.	1,180 r.p.m.
	Med speed	890 r.p.m.	1,040 r.p.m.
	Low speed	770 r.p.m.	900 r.p.m.
OUTDOOR UNIT	Discrimination	MFB-24JTBT	
	High speed	780 r.p.m.	
	Low speed	400 r.p.m.	

DIMENSIONS

INDOOR UNIT	H x W x D	199 x 990 x 655 mm
OUTDOOR UNIT	H x W x D	650 x 830 x 320 mm

WEIGHT

INDOOR UNIT	GROSS / NET	37 kg / 28 kg	
OUTDOOR UNIT	GROSS / NET	56 kg / 52kg	63 kg / 59 kg

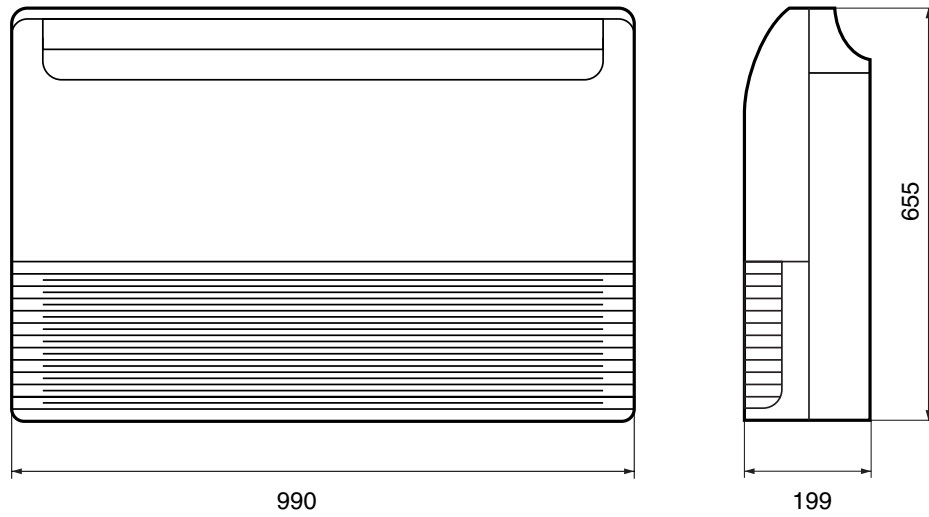
REFRIGERANT CHARGE (R410A)

FULL CHARGE AMOUNT	PIPE LENGTH	7.5 m (25 ft)	1,550 g (54.7oz)	1,700g (60.0oz)
		10 m (33 ft)	1,600 g (54.6oz)	1,800 g (63.5oz)
		15 m (49 ft)	1,700 g (60.0oz)	2,000 g (70.6oz)
		20 m (66 ft)	1,800 g (63.5oz)	2,200 g (77.6oz)
ADDITIONAL REFRIGERANT			20 g/m (0.71oz / 3.3ft)	40 g/m (1.42oz / 3.3ft)

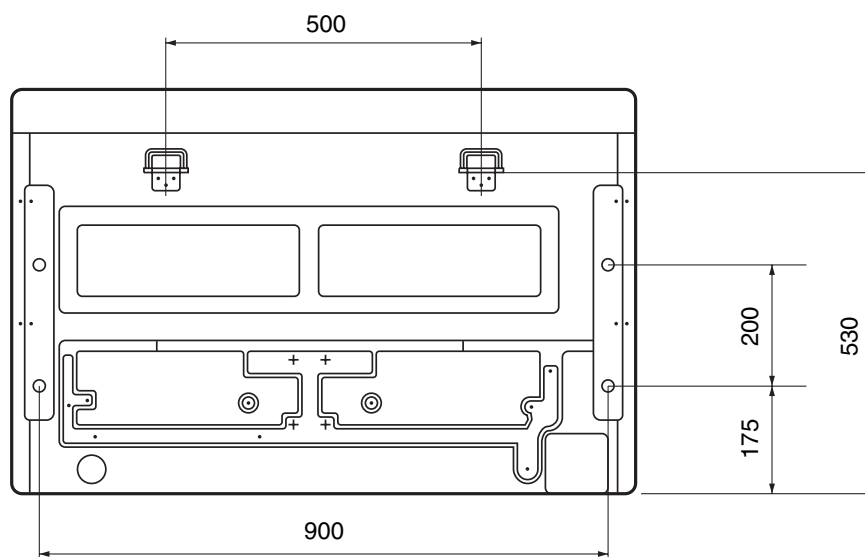
OUTLINE AND DIMENSIONS

INDOOR UNIT

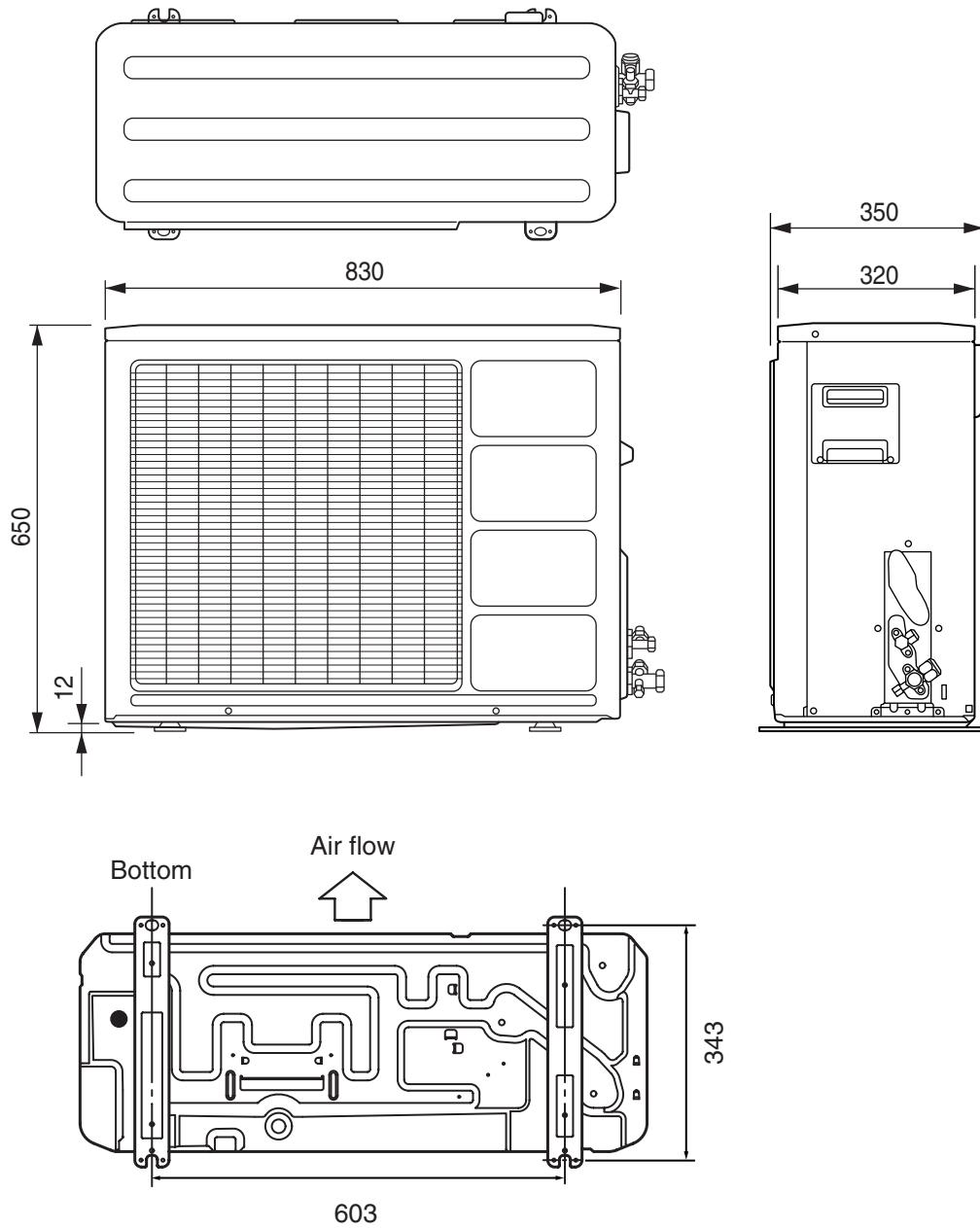
Unit : mm



(rear view)

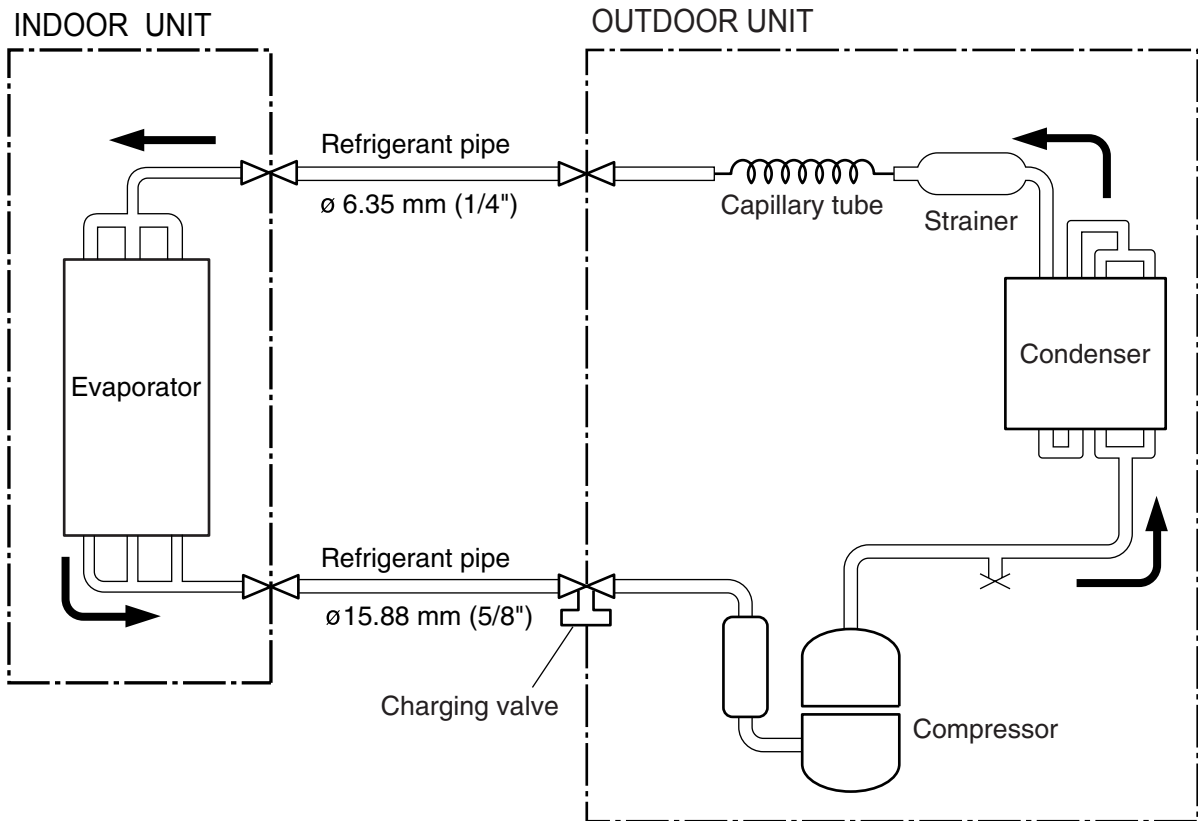


OUTDOOR UNIT
Unit : mm

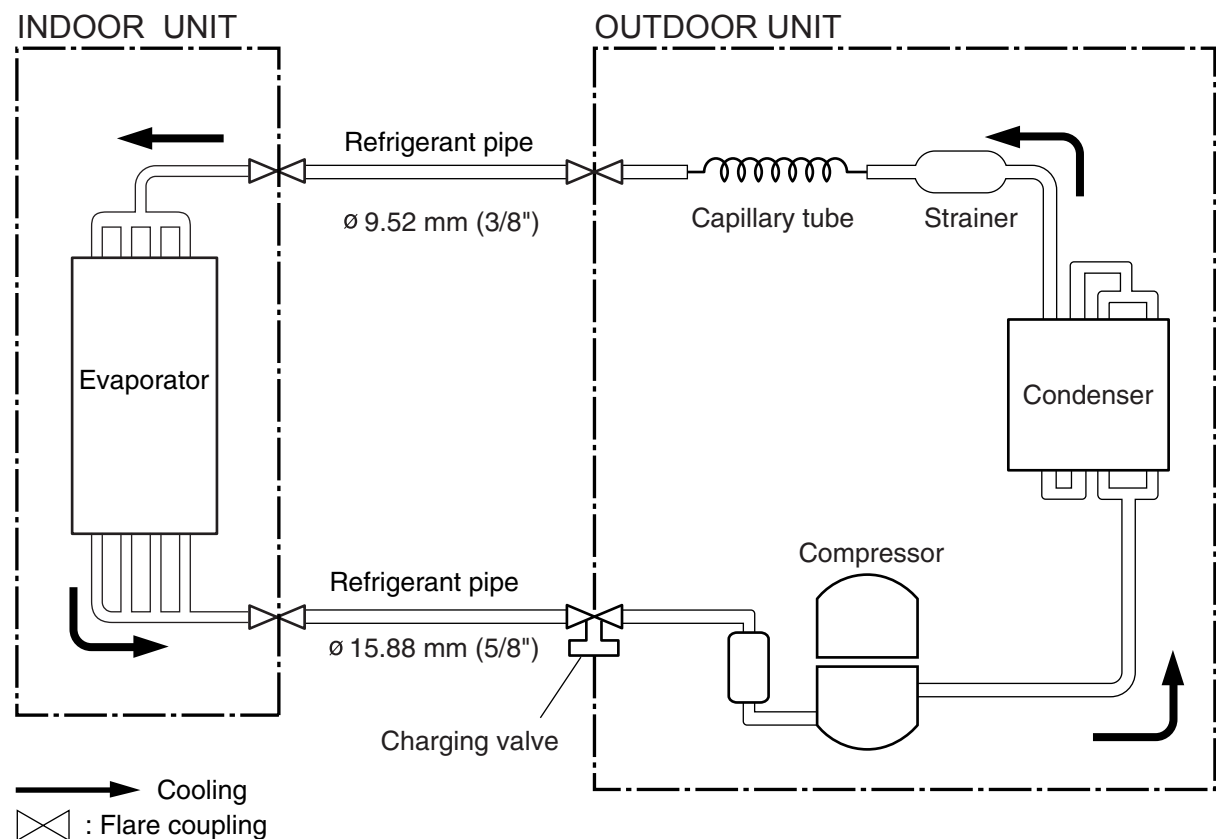


REFRIGERANT SYSTEM DIAGRAM

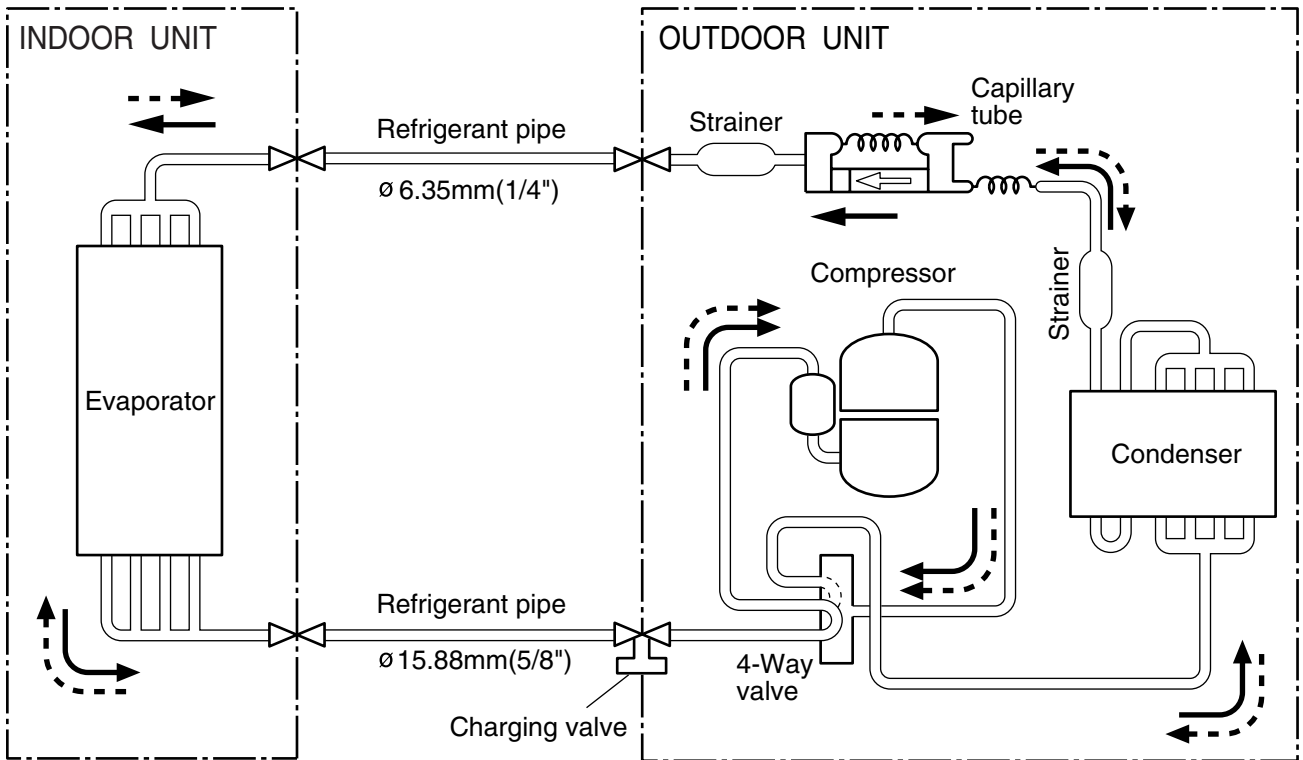
Models :
 ABY18FBBJ / AOY18FNBK
 ABY18FBBJ / AOY18FNBN



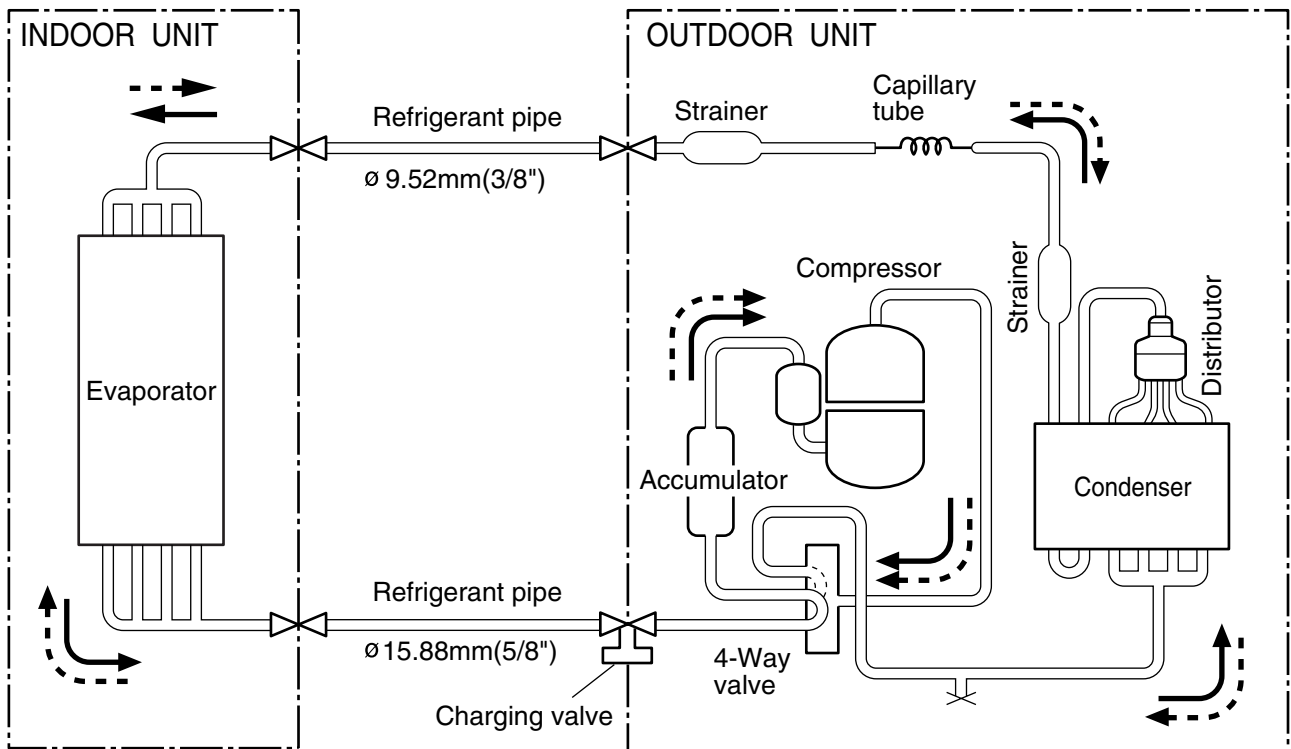
Models :
 ABY24FBBJ / AOY24FNBK
 ABY24FBBJ / AOY24FNBN



Models :
 ABY18UBBJ / AOY18UNBKL
 ABY18UBBJ / AOY18UNBNL

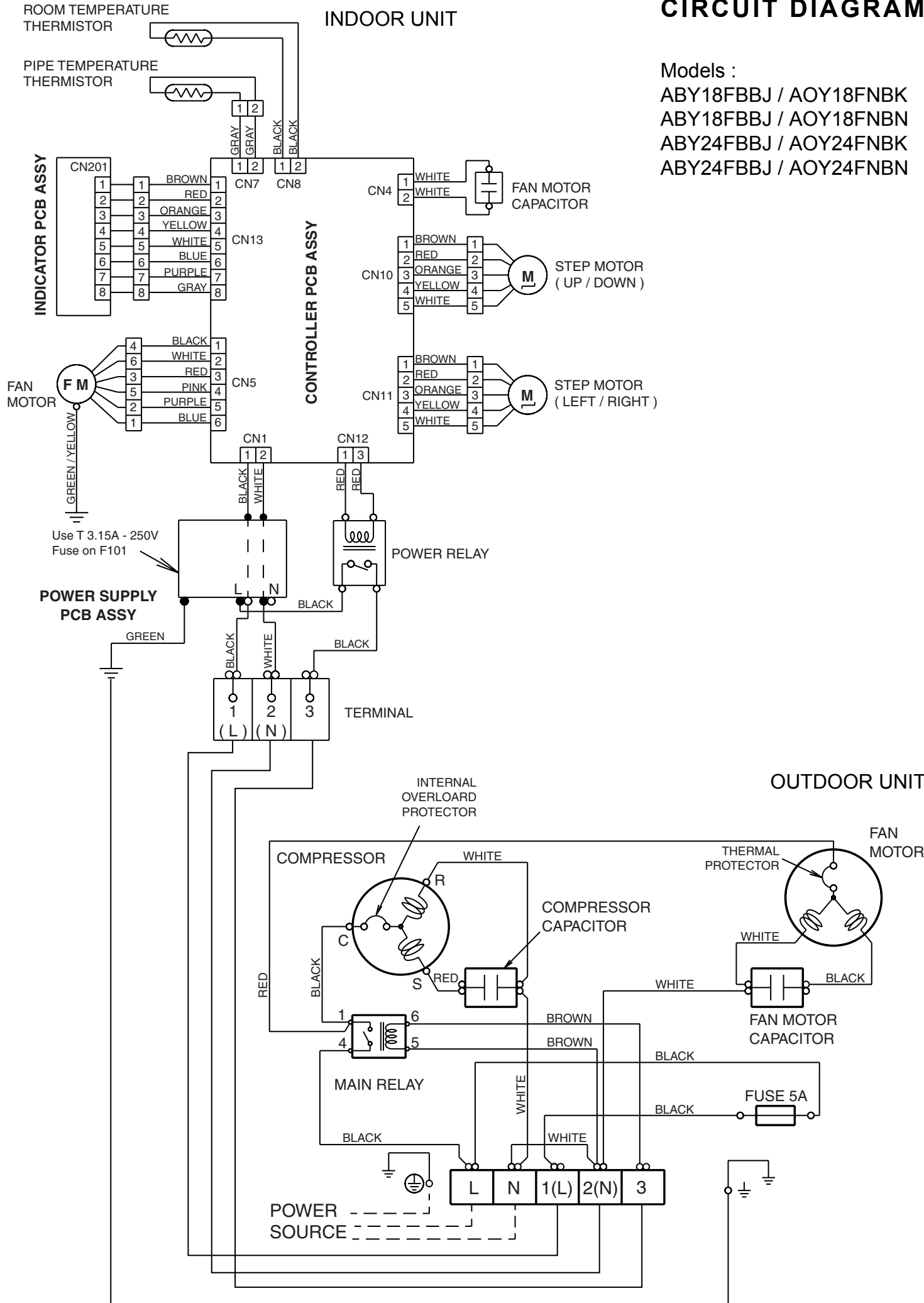


Models :
 ABY24UBBJ / AOY24UNBKL
 ABY24UBBJ / AOY24UNBNL



Cooling
 Heating
 : Flare coupling

CIRCUIT DIAGRAM



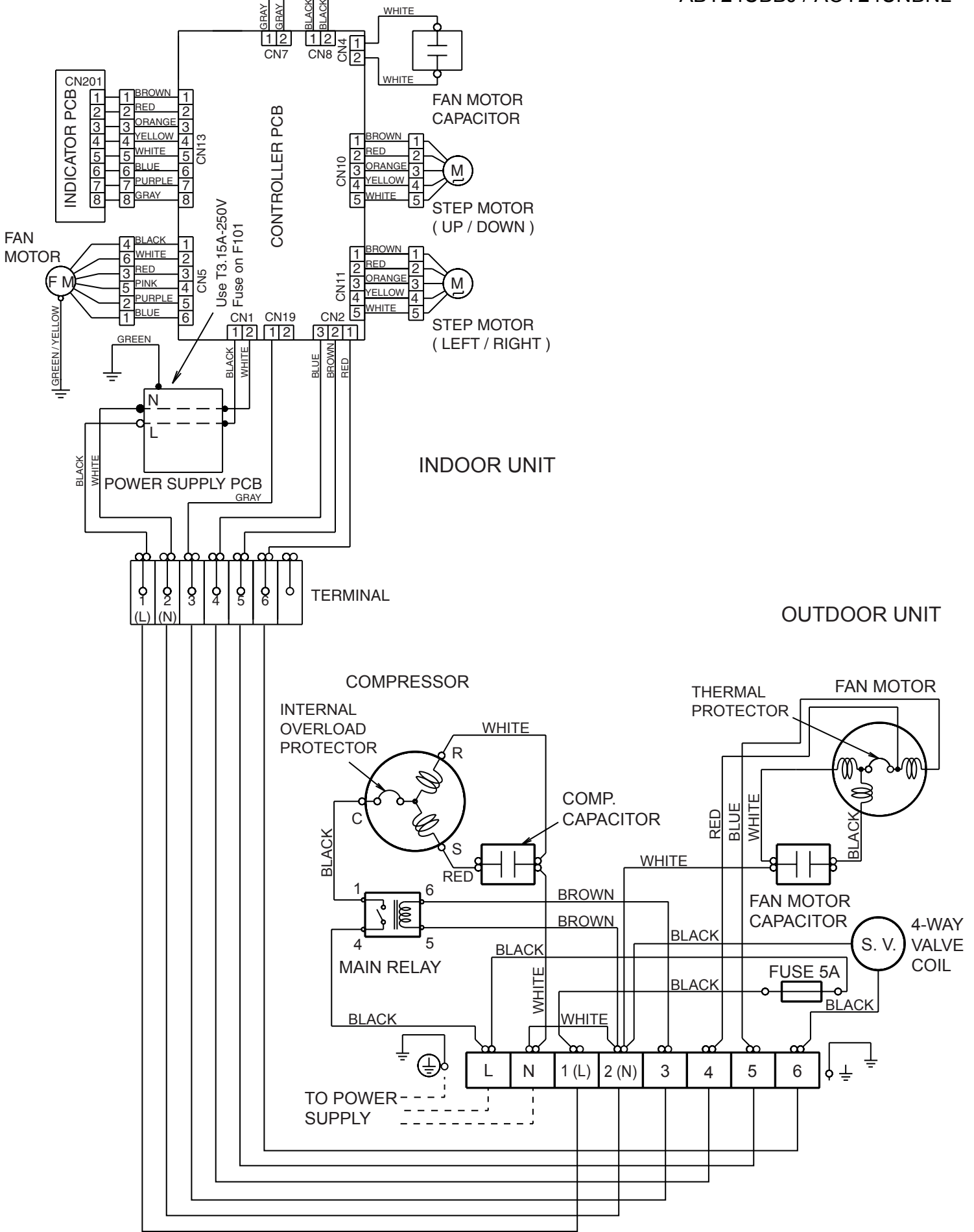
Models :
 ABY18FBBJ / AOY18FNBN
 ABY18FBBJ / AOY18FNBN
 ABY24FBBJ / AOY24FNBN
 ABY24FBBJ / AOY24FNBN

ROOM TEMPERATURE
THERMISTOR

PIPE TEMPERATURE
THERMISTOR

Models :

- ABY18UBBJ / AOY18UNBKL
- ABY18UBBJ / AOY18UNBNL
- ABY24UBBJ / AOY24UNBKL
- ABY24UBBJ / AOY24UNBNL

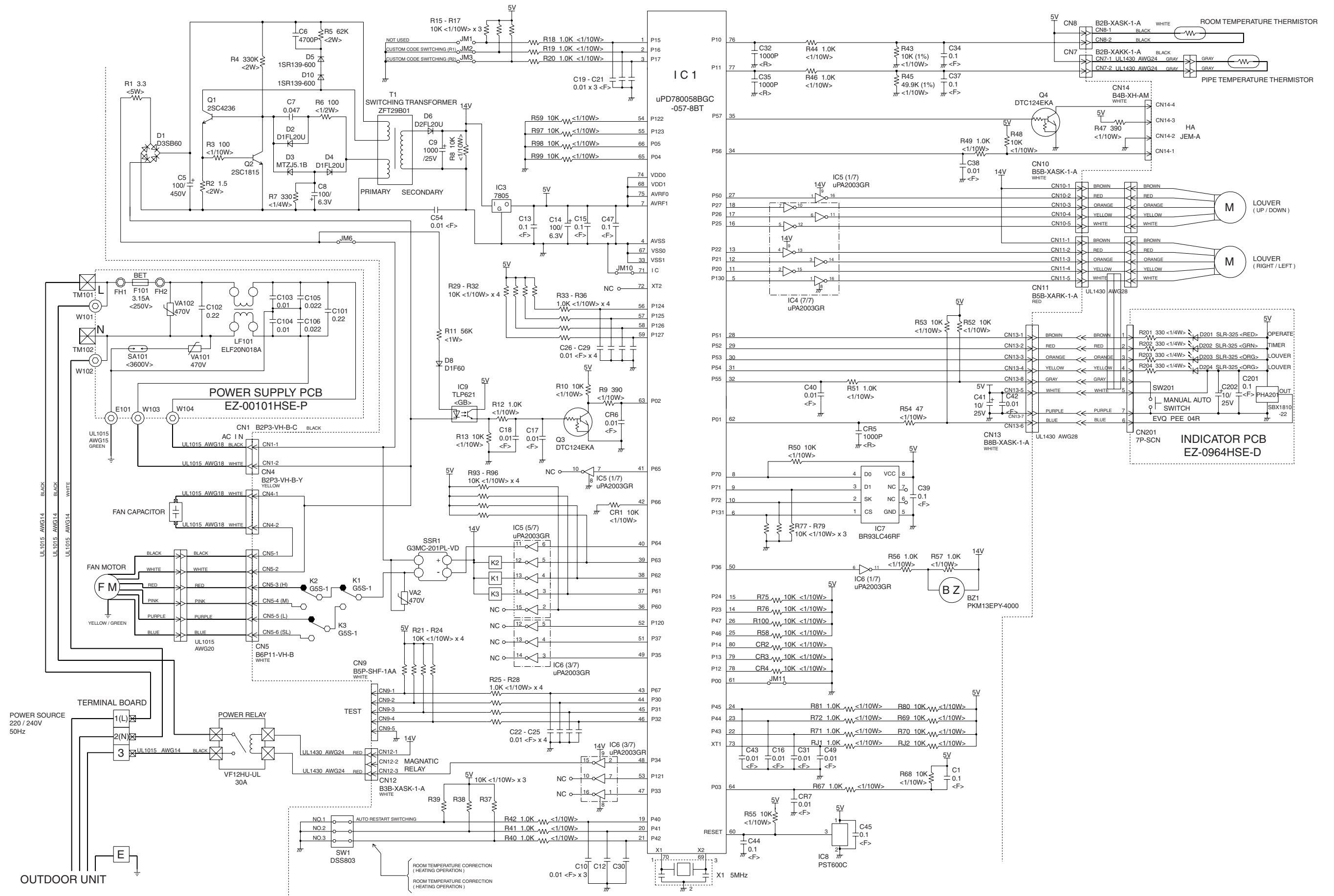


INDOOR PCB CIRCUIT DIAGRAM

Controller PCB Assy

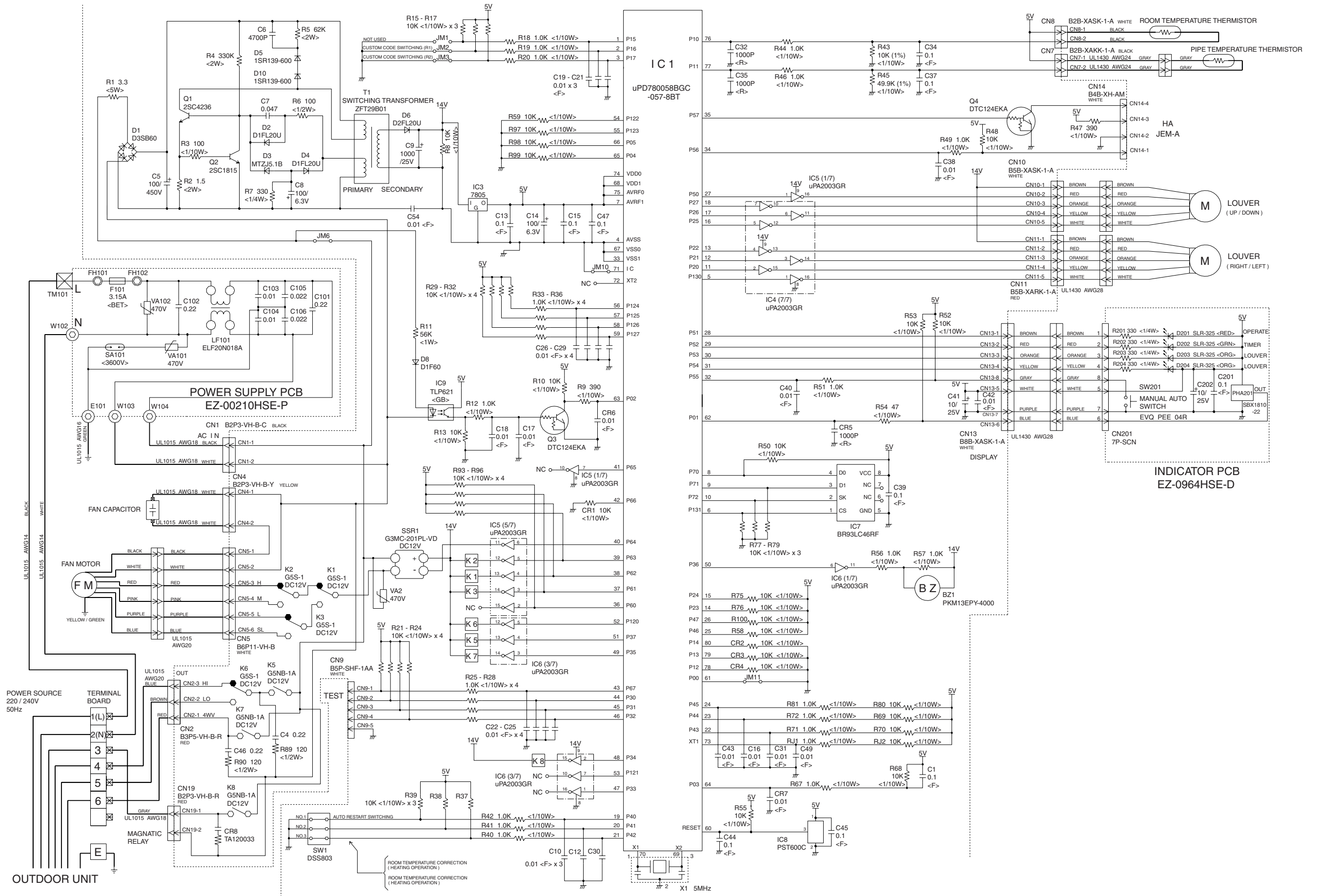
ABY18FBBJ : EZ-002YWSE-C

ABY24FBBJ : EZ-002TWSE-C



OUTDOOR UNIT

Controller PCB Assy
 ABY18UBBJ : EZ-00211HSE-C
 ABY24UBBJ : EZ-00210HSE-C



ERROR DISPLAY

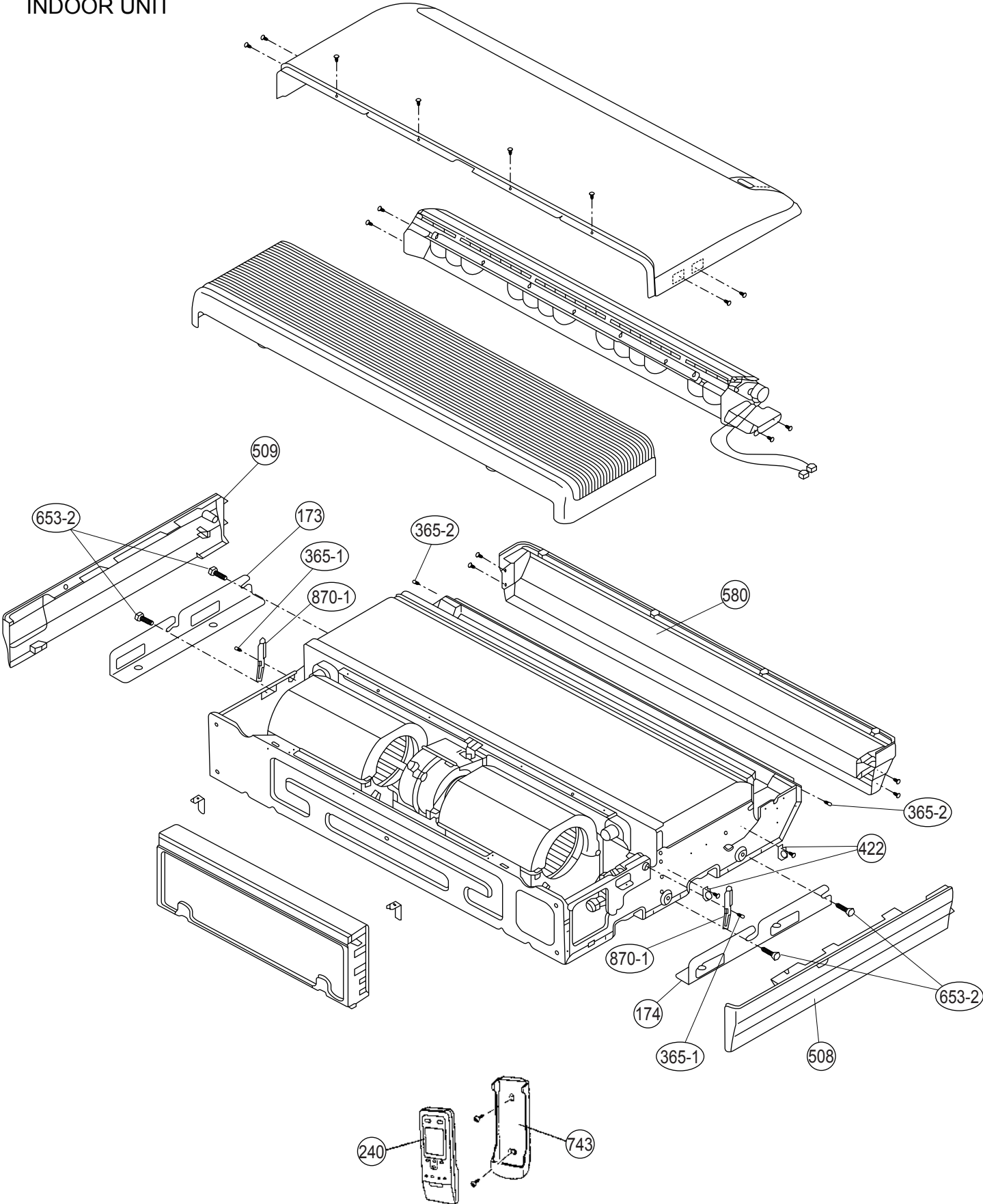
The OPERATION, TIMER and SWING lamps operate as follows according to the error contents.

○ : Fast flashing ● : Slow flashing – : Off

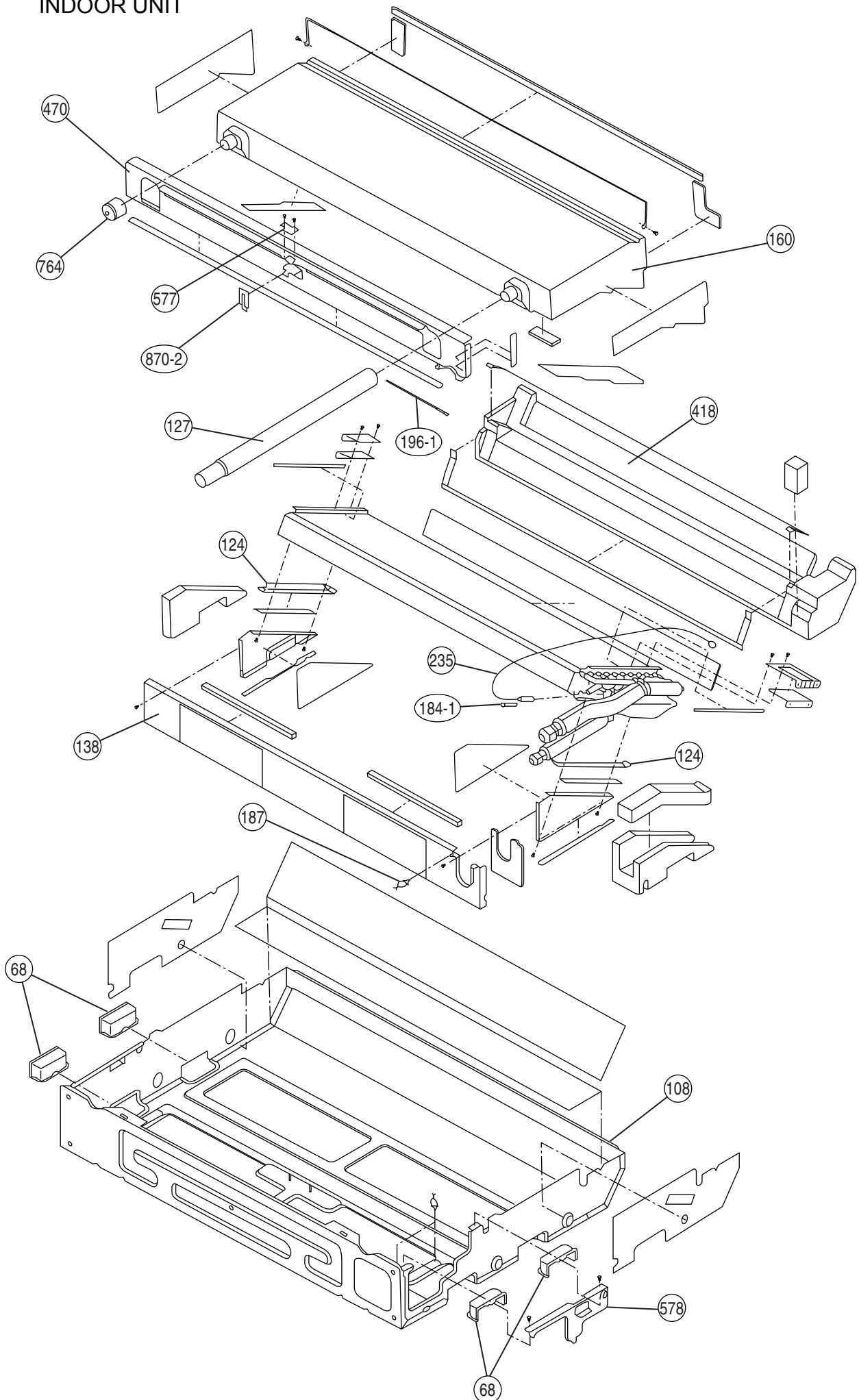
Error contents	Error display		
	OPERATION (RED)	TIMER (GREEN)	SWING (ORANGE)
Indoor unit circuit board error	○	○	–
Indoor unit room temperature sensor wire opened	2 times ●	○	–
Indoor unit room temperature sensor wire short circuited	2 times ●	○	○
Indoor unit piping sensor wire opened	3 times ●	○	–
Indoor unit piping sensor wire short circuited	3 times ●	○	○
Indoor unit fan error	6 times ●	○	–

DISASSEMBLY ASSEMBLY

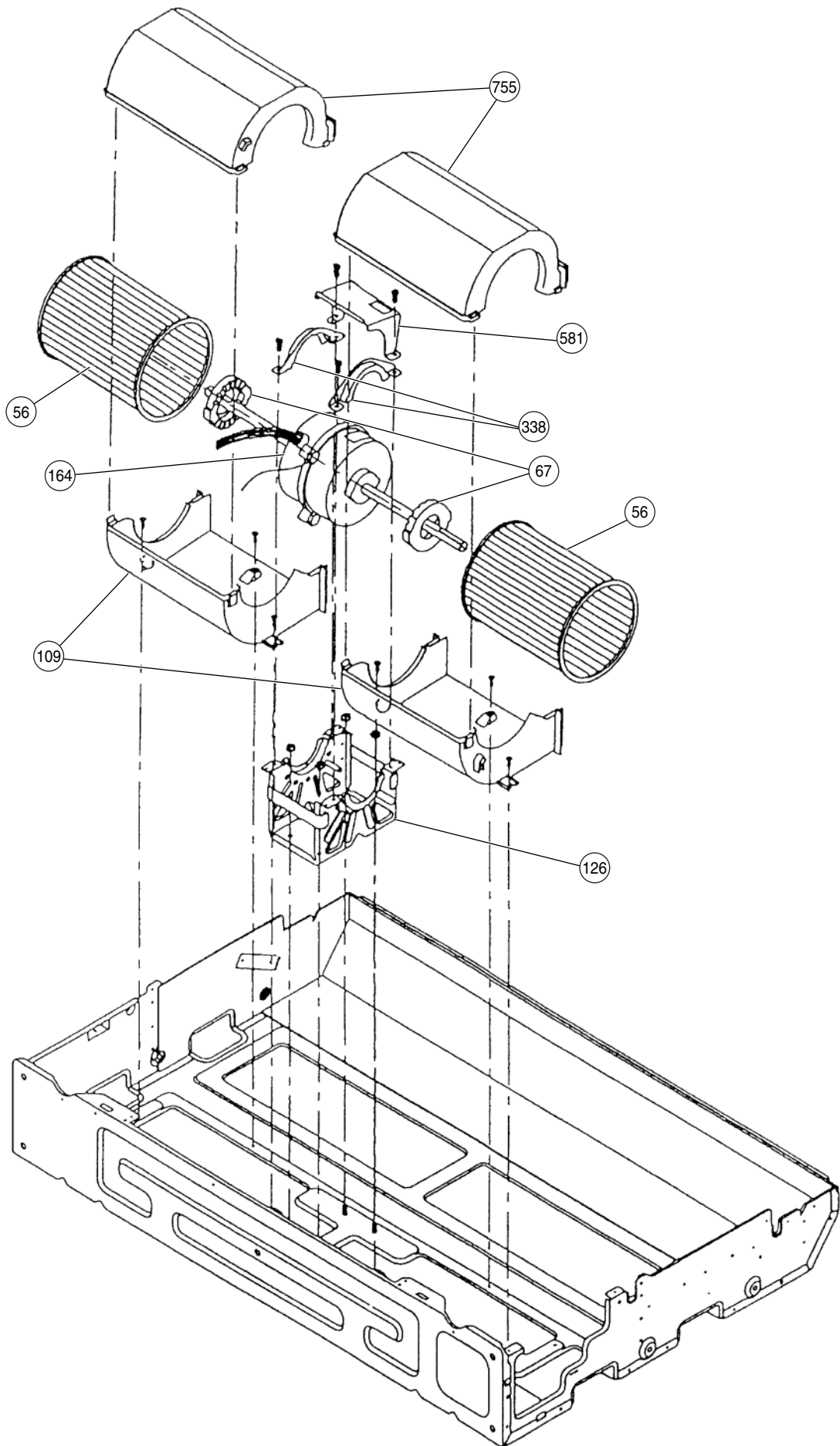
INDOOR UNIT

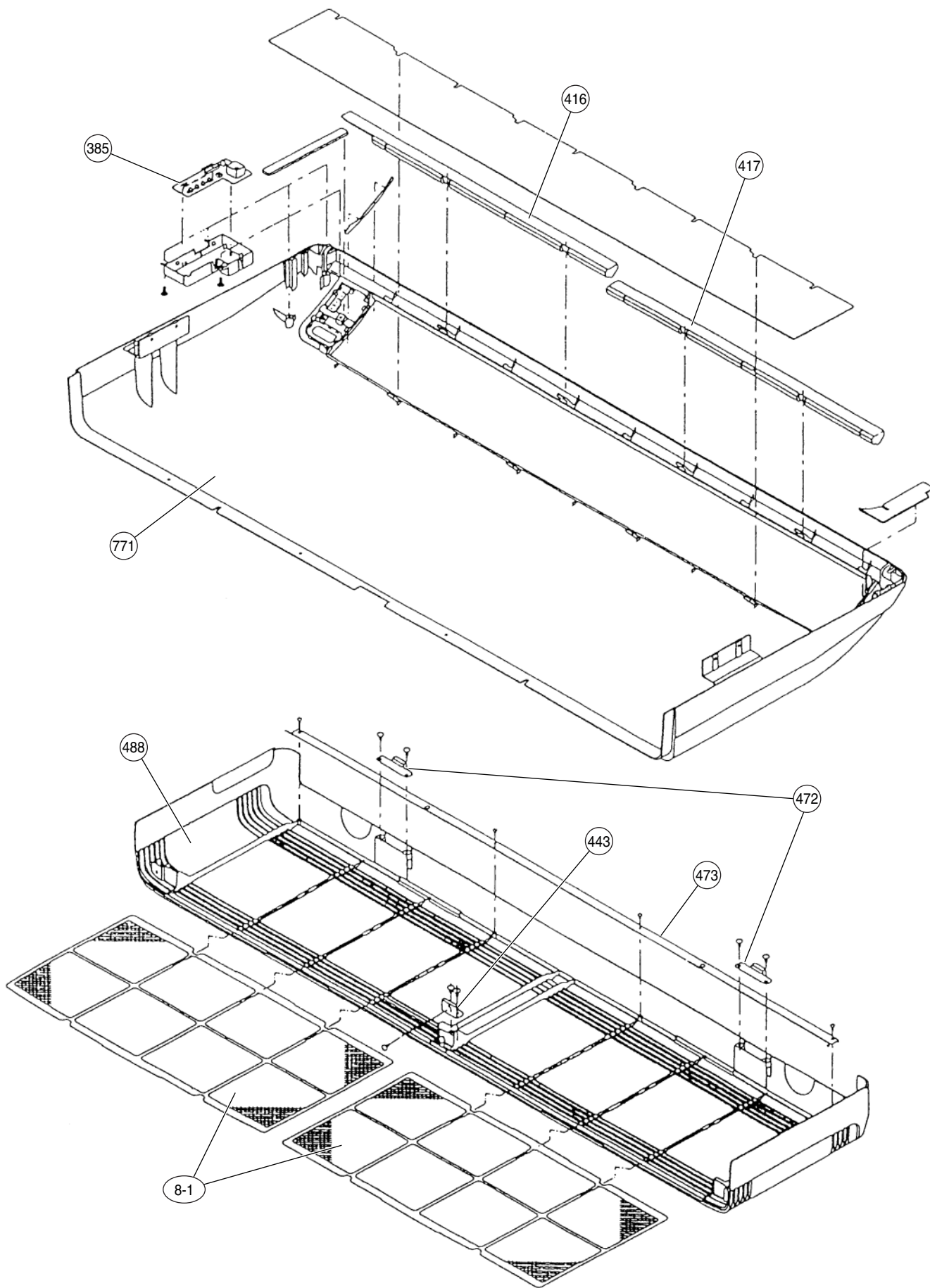


INDOOR UNIT

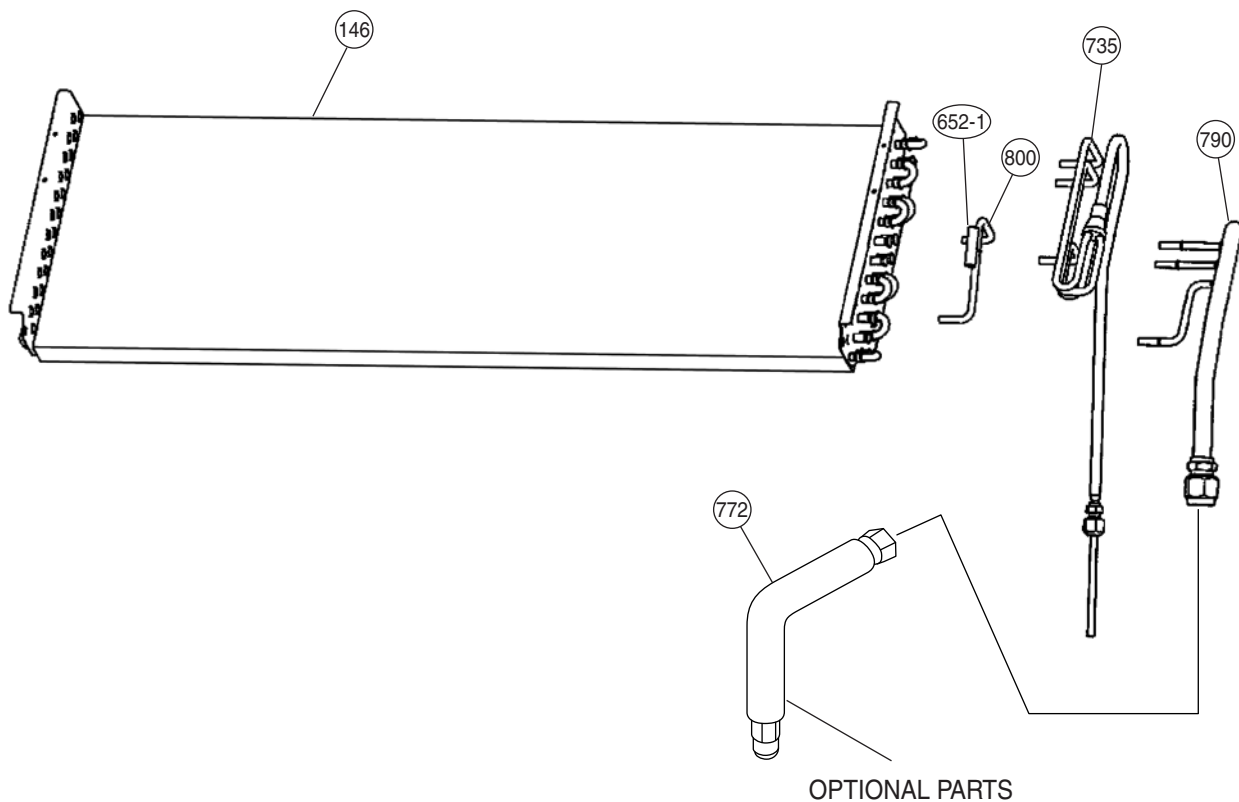


INDOOR UNIT

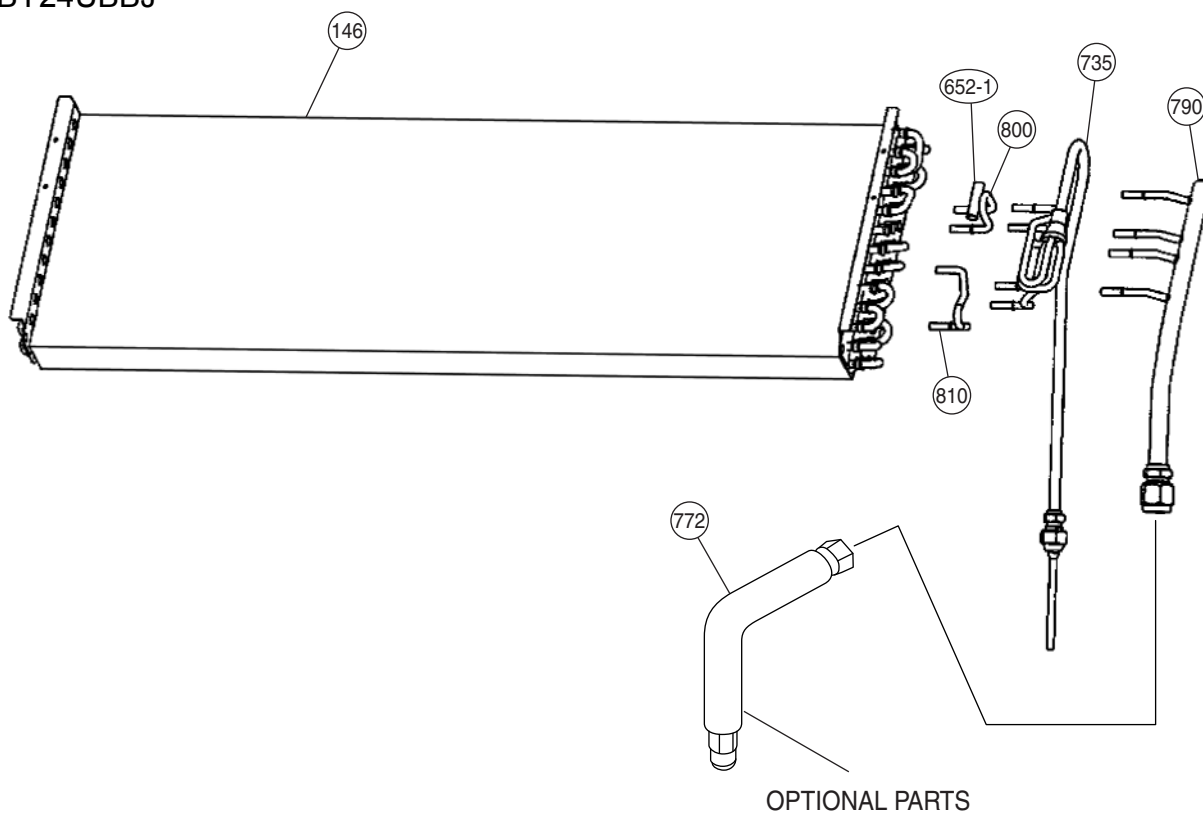


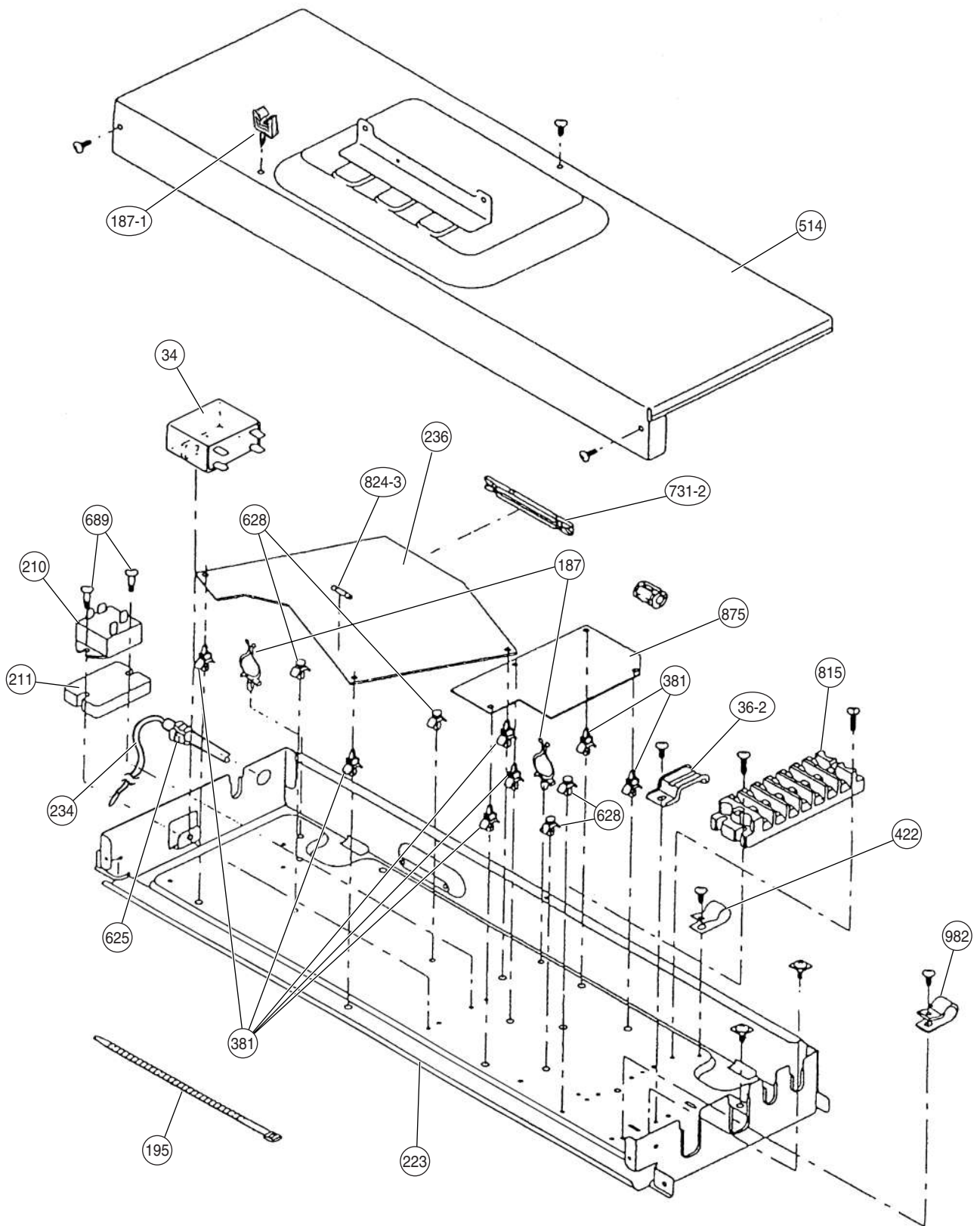


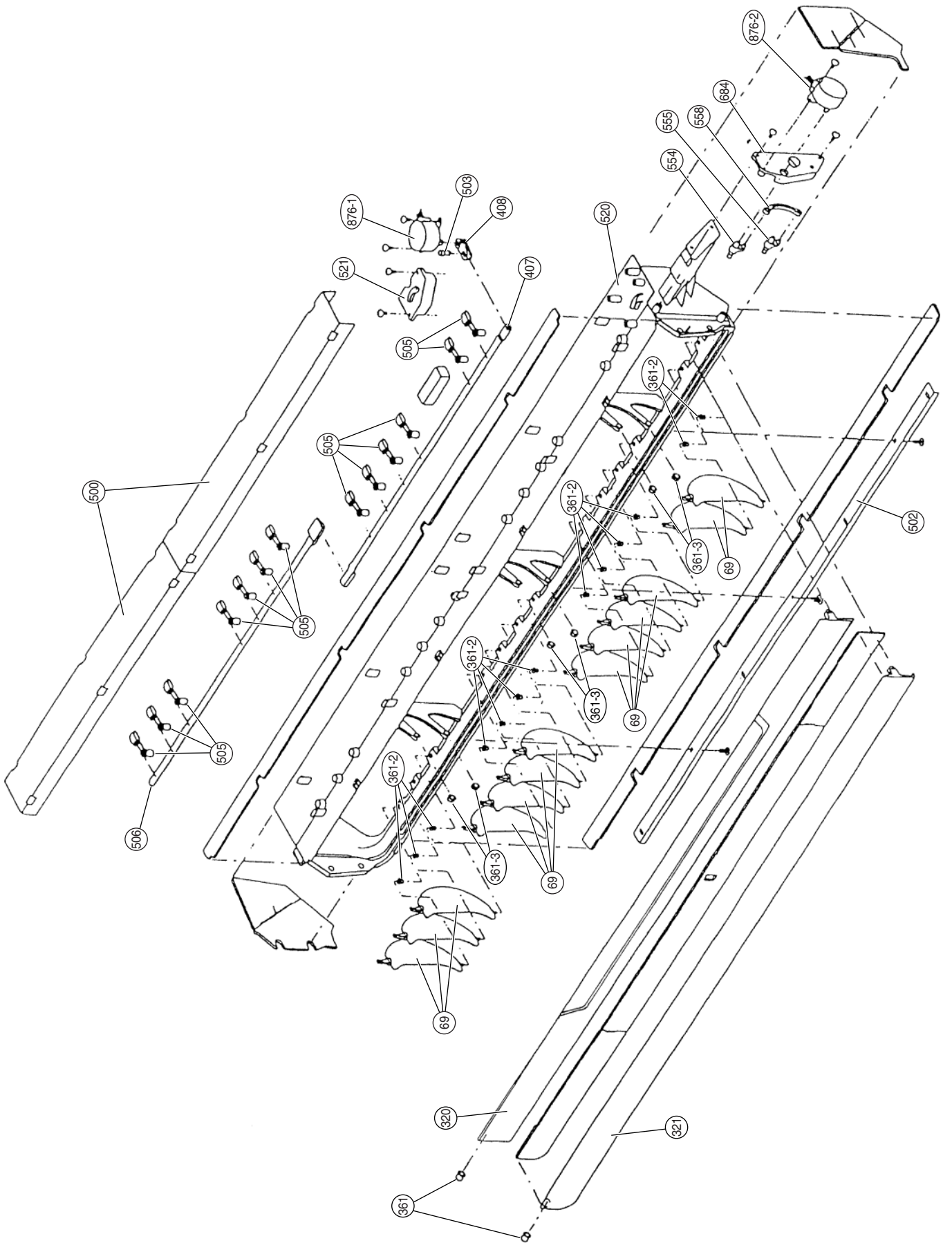
Model : ABY18FBBJ



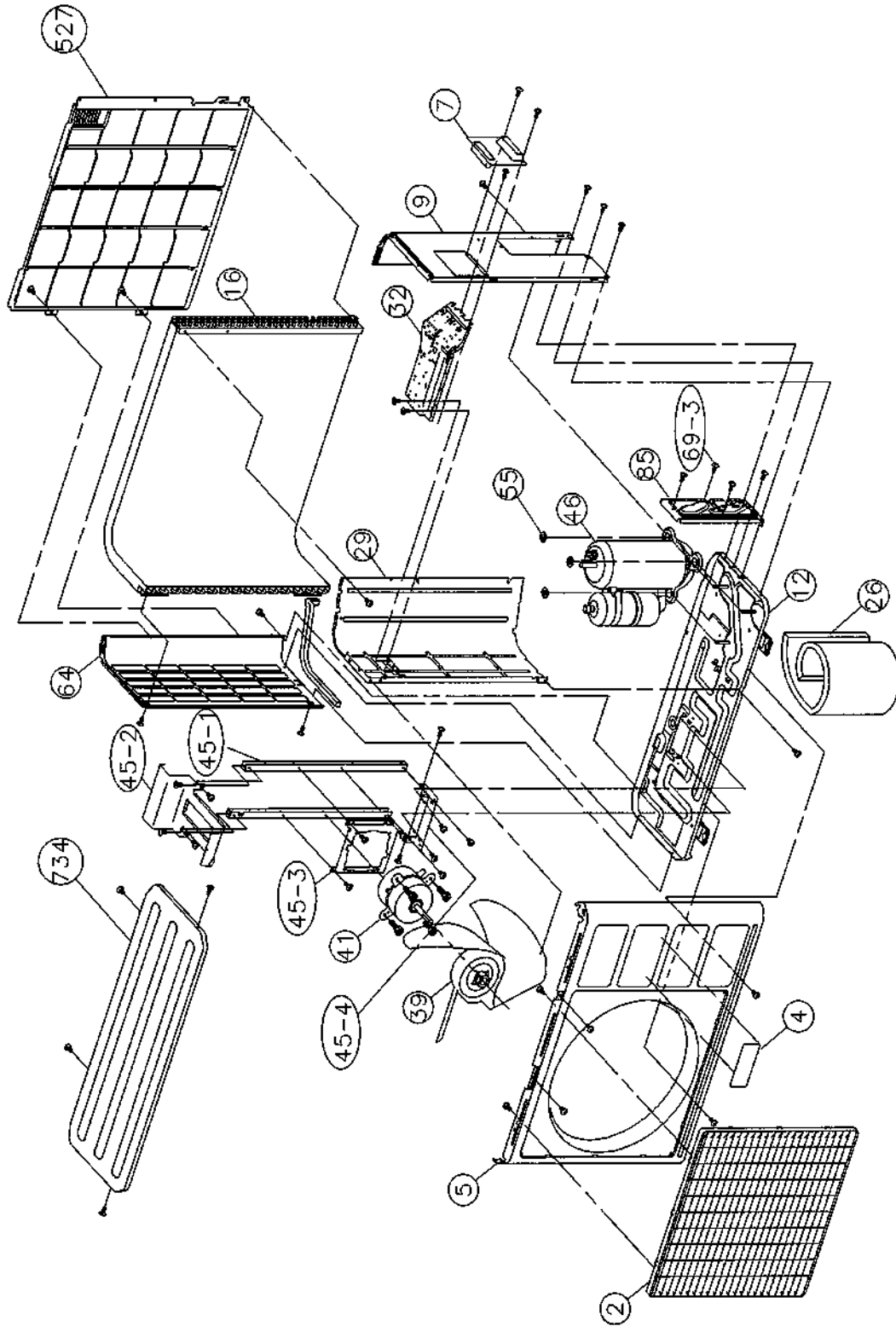
Models :
ABY18UBBJ
ABY24FBBJ
ABY24UBBJ

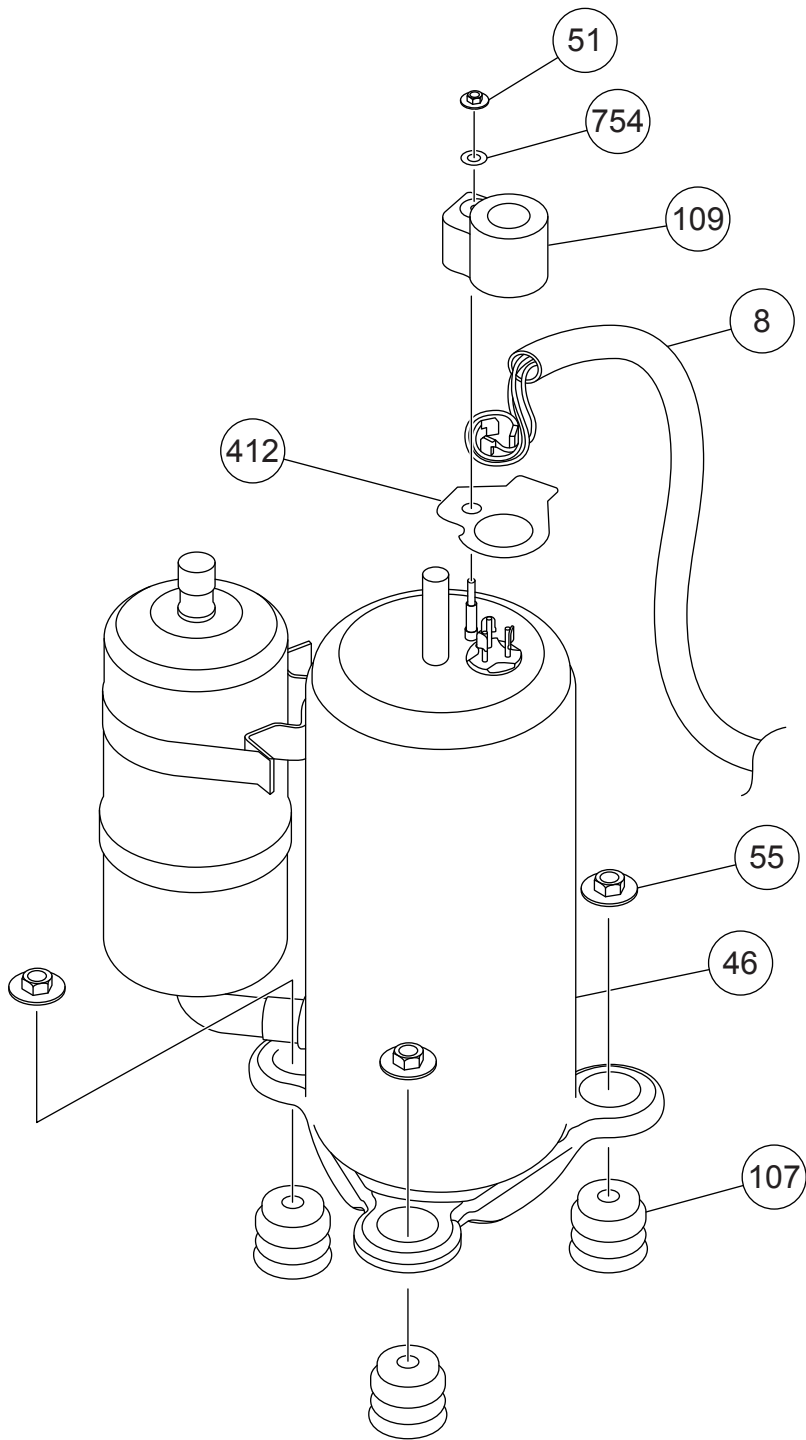




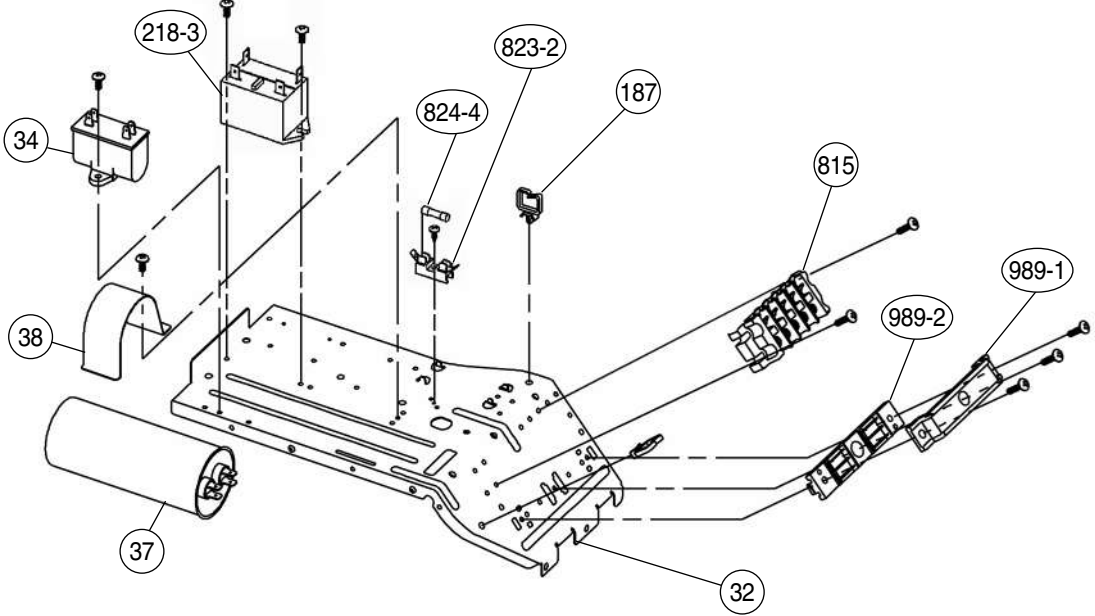


OUTDOOR UNIT

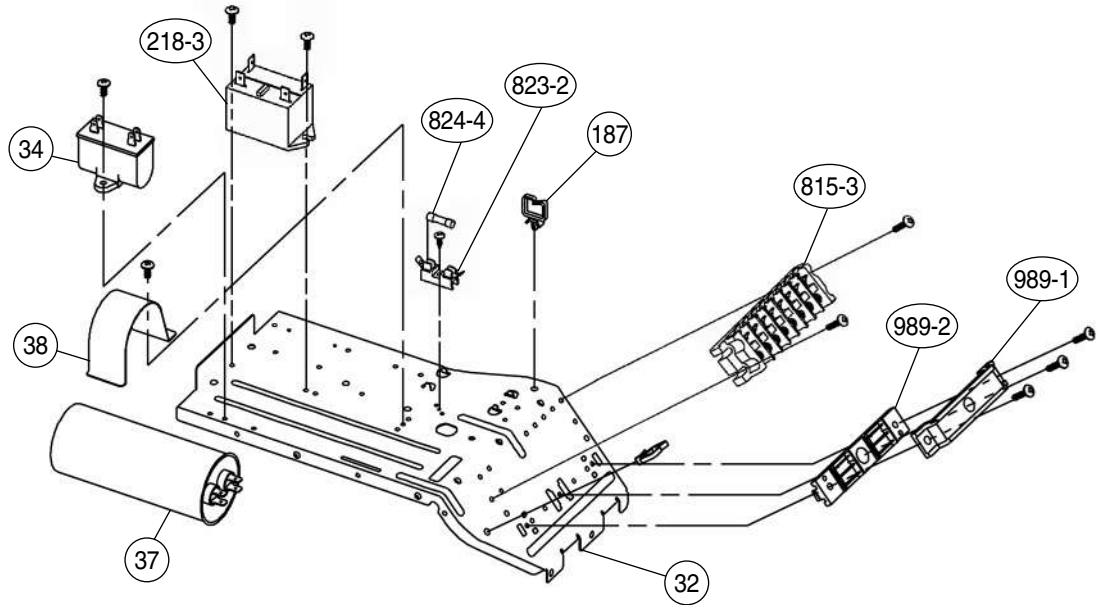




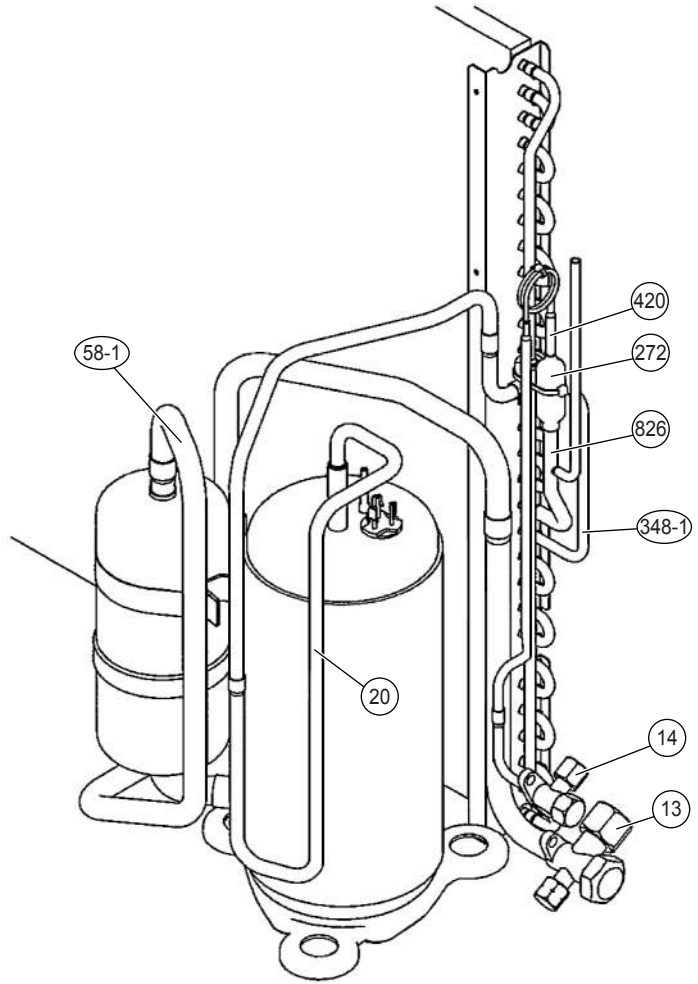
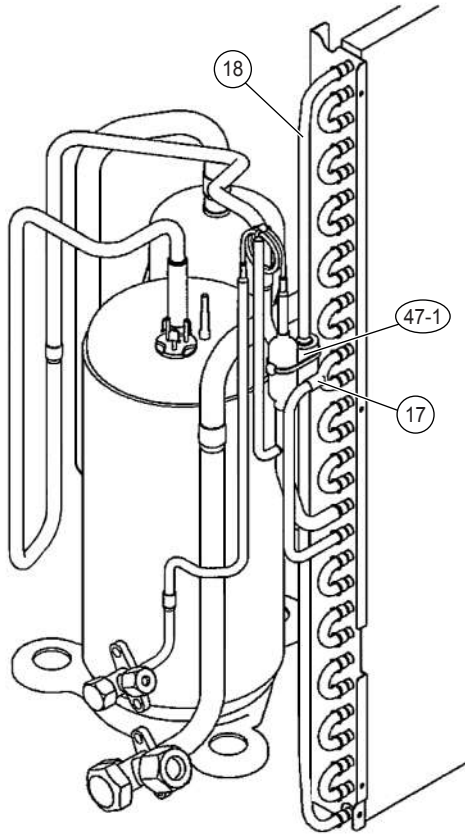
Models :
AOY18FNBK
AOY18FNBN
AOY24FNBK
AOY24FNBN



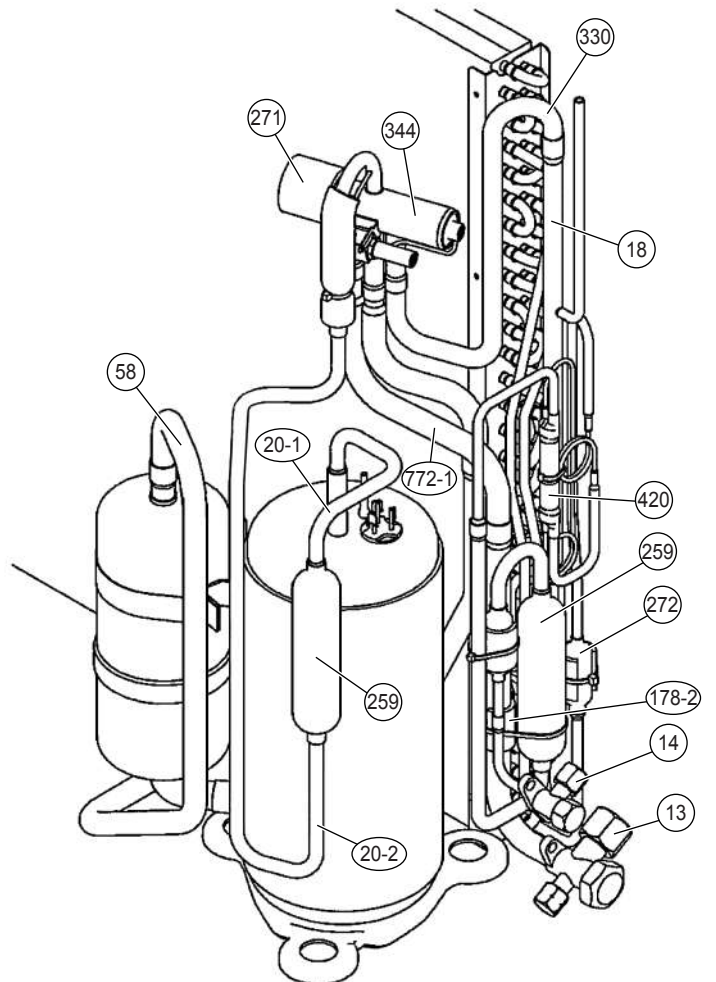
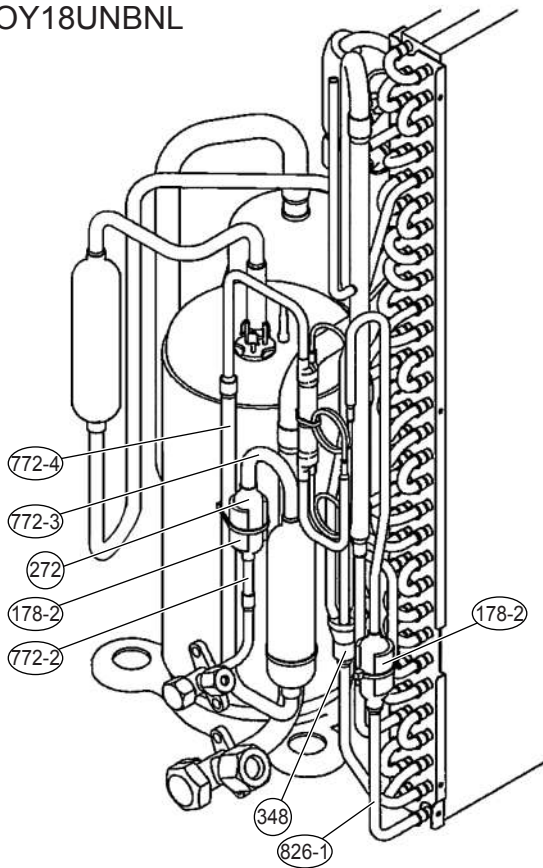
Models :
AOY18UNBKL
AOY18UNBNL
AOY24UNBKL
AOY24UNBNL



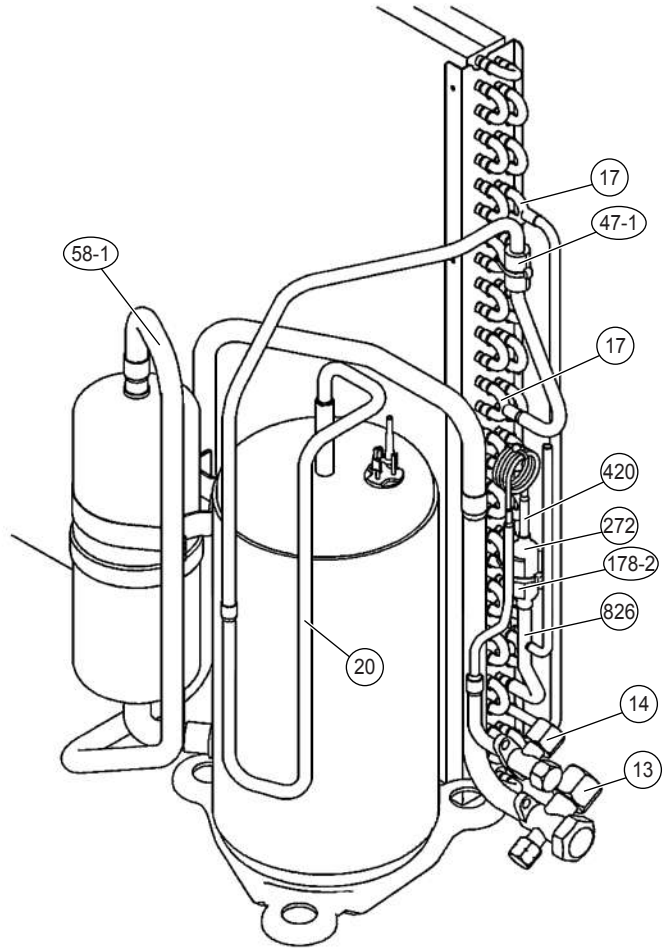
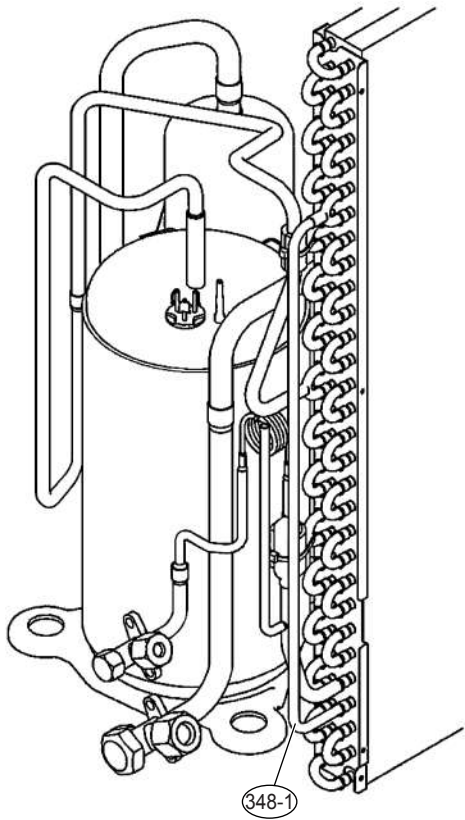
Models :
 AOY18FNBK
 AOY18FNBN



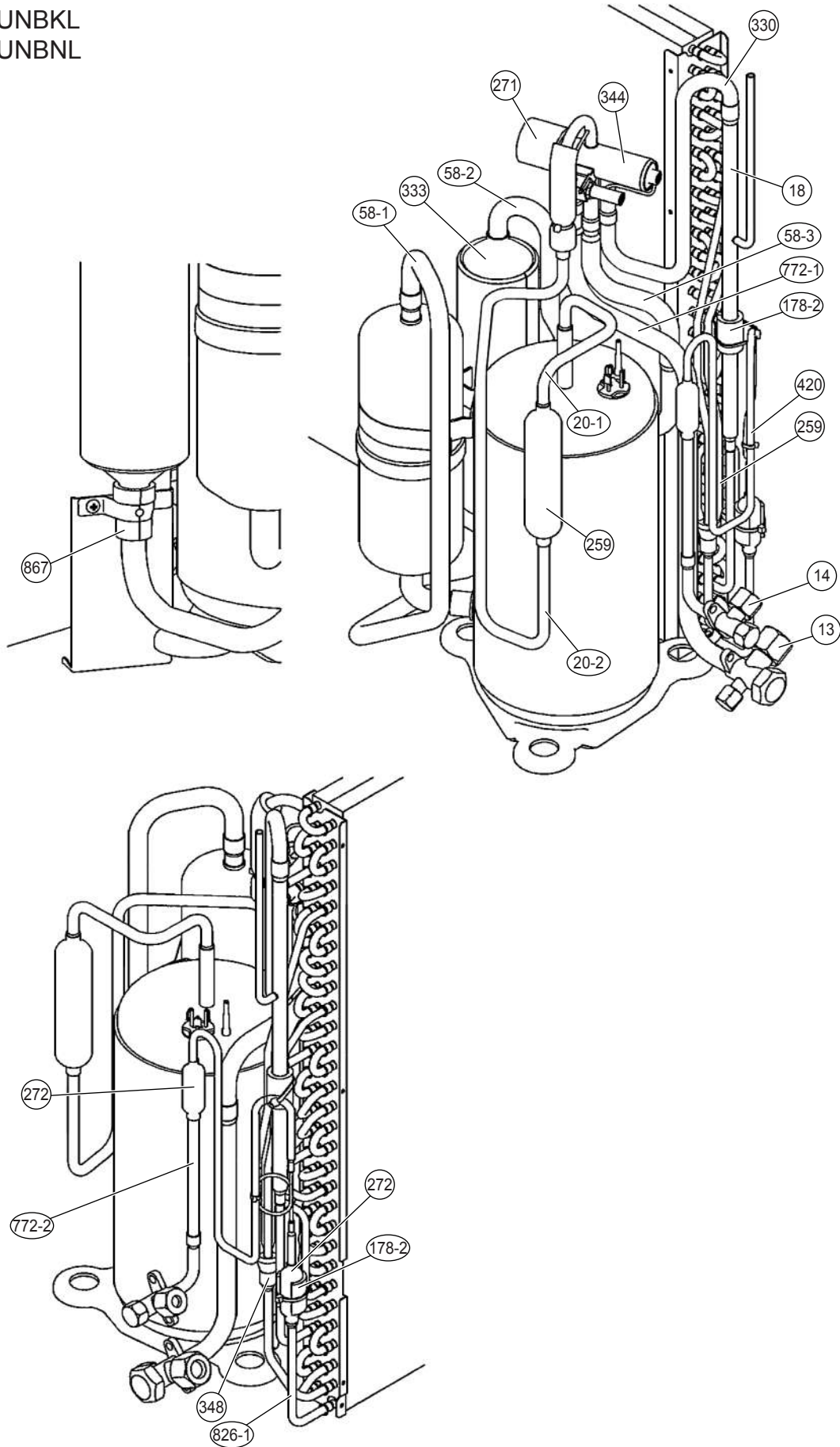
Models :
 AOY18UNBKL
 AOY18UNBNL



Models :
AOY24FNBK
AOY24FNBN



Models :
AOY24UNBKL
AOY24UNBNL



PARTS LIST

INDOOR UNIT

Ref.	Description	Part number			
		ABY18FBBJ	ABY18UBBJ	ABY24FBBJ	ABY24UBBJ
8-1	Air Filter	9358567029	9358567029	9358567029	9358567029
34	Capacitor (Fan Motor)	9703306044	9703306044	9703306044	9703306044
36-2	Cord Holder Metal	9356362008	9356362008	9356362008	9356362008
56	Sirocco Fan Assy	9385258006	9385258006	9385258006	9385258006
67	Rubber (Vibration-proof)	9385102002	9385102002	9385102002	9385102002
69	Louver	9358561010	9358561010	9358561010	9358561010
68	Cap	9358563007	9358563007	9358563007	9358563007
108	Base Assy	9359061038	9359061038	9359061038	9359061038
109	Casing	9358543009	9358543009	9358543009	9358543009
124	Kit (Dew Proof Plate Sub Assy)	9372673010	9372673010	9372673010	9372673010
126	Motor Fixing Table Assy	9358591000	9358591000	9358591000	9358591000
127	Drain Hose Assy	9359242000	9359242000	9359242000	9359242000
138	Kit (Separate Wall A Sub Assy)	9372666012	9372666012	9372666012	9372666012
---	Evaporator sub assy	9359051480	9359051510	9359051367	9359051367
146	Evaporator Assy NA01	-----	9362513081	9362513081	9362513081
146	Evaporator Assy CL33	9362513098	-----	-----	-----
160	Drain Pan Assy	9358568002	9358568002	9358568002	9358568002
164	Fan Motor Assy-IN MFA-24JTT	-----	-----	9601527015	9601527015
164	Fan Motor Assy-IN MFA-18JTT	9601527022	9601527022	-----	-----
173	Hanger Bracket-L	9358596005	9358596005	9358596005	9358596005
174	Hanger Bracket-R	9358595008	9358595008	9358595008	9358595008
184-1	Thermistor Spring-A	313728262708	313728262708	313728262708	313728262708
187	Clamp No. 1219	313361271706	313361271706	313361271706	313361271706
195	Clamp SKB-100	313361275805	313361275805	313361275805	313361275805
196-1	Clamp SKB-3M	312300787605	312300787605	312300787605	312300787605
210	Main Relay	9353611017	-----	9353611017	-----
211	Cushion Rubber	313806328306	-----	313806328306	-----
223	Control Box	9358600016	9358600016	9358600016	9358600016
234	Thermistor Assy-Room	9703299087	9703299087	9703299087	9703299087
235	Thermistor Assy-Pipe	9900022020	9900022020	9900022020	9900022020
236	Controller PCB Assy	9704557216 (EZ-002YWSE-C)	9704557223 (EZ-00211HSE-C)	9704557131 (EZ-002TWSE-C)	9704557148 (EZ-00210HSE-C)
240	Remote Control AR-JW1	-----	9371190013	-----	9371190013
240	Remote Control AR-JW2	9371190020	-----	9371190020	-----
320	Flap (Upper)-F	9358538012	9358538012	9358538012	9358538012
321	Kit (Flap (Lower) Sub Assy)	9372671016	9372671016	9372671016	9372671016
338	Motor Fixture	9358594001	9358594001	9358594001	9358594001
361	Bushing	9357942001	9357942001	9357942001	9357942001
361-2	Bushing-B, Plastic	9358554005	9358554005	9358554005	9358554005
361-3	Bushing-C, Plastic	9358553008	9358553008	9358553008	9358553008
365-1	Special Screw	9359092001	9359092001	9359092001	9359092001
365-2	Special Screw	9359091004	9359091004	9359091004	9359091004
381	Locking Spacer, KGLS-4S	313209391506	313209391506	313209391506	313209391506
385	Indicator PCB Assy	9701873012	9701873012	9701873012	9701873012
407	Motor Rod	9358560006	9358560006	9358560006	9358560006
408	Louver Link	9358556009	9358556009	9358556009	9358556009
416	Insulation (Panel)-A	9358574003	9358574003	9358574003	9358574003
417	Insulation (Panel)-B	9358914007	9358914007	9358914007	9358914007
418	Insulation (Flap Base)	9358572009	9358572009	9358572009	9358572009
422	Clamp NK-10N	9359183006	9359183006	9359183006	9359183006
443	Arm Bracket	9359281009	9359281009	9359281009	9359281009
470	kit (Separate Wall B Sub Assy)	9373448013	9373448013	9373448013	9373448013
472	Grille Support	9358602003	9358602003	9358602003	9358602003
473	Filter Bracket	9358607008	9358607008	9358607008	9358607008
488	Grill-F	9358532010	9358532010	9358532010	9358532010

INDOOR UNIT (Continued)

Ref.	Description	Part number			
		ABY18FBBJ	ABY18UBBJ	ABY24FBBJ	ABY24UBBJ
500	Protect Cover	9358564004	9358564004	9358564004	9358564004
502	Support Stay	9358599006	9358599006	9358599006	9358599006
503	Louver Shaft	9358557006	9358557006	9358557006	9358557006
505	Louver Stopper	9358555002	9358555002	9358555002	9358555002
506	Louver Rod	9358559000	9358559000	9358559000	9358559000
508	Cosmetic Panel-R	9358535011	9358535011	9358535011	9358535011
509	Cosmetic Panel-L	9358536018	9358536018	9358536018	9358536018
514	Control Box Cover	9359097006	9359097006	9359097006	9359097006
520	Flap Base	9358537015	9358537015	9358537015	9358537015
521	Louver Link Cover	9358558003	9358558003	9358558003	9358558003
554	Flap Link-Upper (Step Motor-V)	9358551004	9358551004	9358551004	9358551004
555	Flap Link-Lower (Step Motor-V)	9358552001	9358552001	9358552001	9358552001
558	Motor Rod-A (Step Motor-V)	9358550007	9358550007	9358550007	9358550007
577	Catch TL-119	9359096009	9359096009	9359096009	9359096009
578	Base Bracket (Reinforcement)	9358586006	9358586006	9358586006	9358586006
580	Top Cover	9358534014	9358534014	9358534014	9358534014
581	Protector, Metal (Fan Motor)	9359282006	9359282006	9359282006	9359282006
625	Cord Bushing KR-51	9359240006	9359240006	9359240006	9359240006
628	Locking Spacer-B	313005446558	313005446558	313005446558	313005446558
652-1	Thermistor Holder Pipe	313806262805	313806262805	313806262805	313806262805
653-2	Bolt	0700190018	0700190018	0700190018	0700190018
684	Motor Base	9358562000	9358562000	9358562000	9358562000
731-2	Holder (Guide Rail)	0600241018	0600241018	0600241018	0600241018
743	Remote Control Holder	9305642014	9305642014	9305642014	9305642014
755	Casing Cover	9358544006	9358544006	9358544006	9358544006
764	Drain Cap	9358746004	9358746004	9358746004	9358746004
771	Panel Assy	9359076018	9359076018	9359076018	9359076018
735	Distributor Assy	9373034018	9373034032	9373034025	9373034025
790	Coupring Pipe Assy	9373038016	9373038023	9373038023	9373038023
800	Bypass Pipe Assy	9373032014	9373032021	9373032021	9373032021
815	Terminal 7P	-----	9358660102	-----	9358660102
824-3	Fuse BET3.15A - 250V	0600222512	0600222512	0600222512	0600222512
870-1	Arm	9358565001	9358565001	9358565001	9358565001
870-2	Center Arm	9359280002	9359280002	9359280002	9359280002
875	Power Supply PCB Assy	9704561022	9704561077	9704561022	9704561077
		(EZ-00101HSE-P)	(EZ-00210HSE-P)	(EZ-00101HSE-P)	(EZ-00210HSE-P)
876-1	Step Motor-H	9359106012	9359106012	9359106012	9359106012
876-2	Step Motor-V	9359105015	9359105015	9359105015	9359105015
982	Cord Clamp	-----	9357886008	-----	9357886008

OUTDOOR UNIT

Ref. No.	Description	Part No.	
		AOY18FNBK AOY18FNBN	AOY24FNBK AOY24FNBN
2	Fan Guard	9371187013	9371187013
4	Emblem-Rear	9351355005	9351355005
5	Front Panel Ptd	9371924014	9371924014
7	Connector Cover (Cabinet)	9366398004	9366398004
8	Wire Assy (Comp)	9372334010	9372334010
9	Side Panel R Ptd	9371927015	9371927015
12	Base Assy, Ptd	9371920054	9371920016
13	3-Way Valve Assy	9372205013	9372205013
14	2-Way Valve Assy	9372204016	9372204023
---	Condenser sub assy	9372313046	9372313022
16	Condenser Assy	9372181041	9372181027
17	U-pipe Y	9372638019	9372638019
18	Inlet pipe (condenser) assy	9372185025	---
20	Discharge pipe assy	9371581040	9371581033
26	Compressor Cover	9372327012	9372327012
29	Separate Wall	9371933016	9371933016
32	Control Box	9371935010	9371935010
34	Capacitor, Plastic	9900130022	9900270049
37	Running Capacitor	9703107122	9703107023
38	Capacitor Clamp Metal	9351770013	313791061807
39	Propeller Fan Assy	9366378013	9366378013
41	Motor Induct	9601671022	9601671022
45-1	Motor Bracket	9371929019	9371929019
45-2	Motor Bracket-Top	9371931012	9371931012
45-3	Motor Bracket Center	9371930015	9371930015
45-4	Motor Bracket Bottom	9371932019	9371932019
46	Compressor Assy	9372558027	9372558010
47-1	Rubber (Discharge Pipe)	313194159807	313194159807
51	Special Nut M5	9300301015	9300301015
55	Special Nut M8	9355091008	9355091008
58-1	Suction pipe A	9372176030	9372176047
64	Side Panel L Ptd	9371926018	9371926018
69-3	Bolt, Hex. Socket	301210060360	301210060360
85	Valve Plate Ptd	9371928012	9371928012
107	Rubber Seat-A	9351049010	9351049010
109	Termminal Cover (Comp)	9371511016	9371511016
187	Clip (Cable)	9352715006	9352715006
218-3	Relay	9900074012	9900074012
272	Strainer	9369287008	9369287008
348-1	Outlet pipe (condenser)	9372190036	9372190029
412	Cover Gasket (Comp.)	9371512013	9371512013
420	Capillary Assy	9372197066	9372197059
527	Protectiive Net	9371934013	9371934013
734	Top Plate	9371925011	9371925011
754	Terminal Gask. Washer	9351053017	9351053017
815	Terminal-5P	9900203023	9900203023
823-3	Fuse Holder	0501456016	0501456016
824-4	Fuse	0600376086	0600376086
826	Condensing pipe assy	9371378022	9371378022
982-1	Cord Clamp-U	9374175017	9374175017
982-2	Cord Clamp-L	9374176014	9374176014



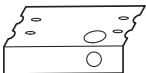
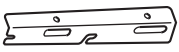
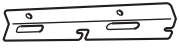
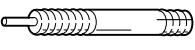








OUTDOOR UNIT








Ref. No.	Description	Part No.	
		AOY18UNBKL AOY18UNBNL	AOY24UNBKL AOY24UNBNL
2	Fan Guard	9371187013	9371187013
4	Emblem-Rear	9351355005	9351355005
5	Front Panel Ptd	9371924014	9371924014
7	Connector Cover (Cabinet)	9366398004	9366398004
8	Wire Assy (Comp)	9372334010	9372334010
9	Side Panel R Ptd	9371927015	9371927015
12	Base Assy, Ptd	9371920054	9371920016
13-1	3-Way Valve Assy	9372205013	9372205013
13-2	2-Way Valve Assy	9372204016	9372204023
-----	Condenser sub assy	9372313039	9372313015
16	Condenser Assy	9372181034	9372181010
26	Compressor Cover A	9372327012	9372327012
29	Separate Wall	9371933016	9371933016
32	Control Box	9371935010	9371935010
34	Capacitor, Plastic	9900130022	9900130022
37	Running Capacitor	9703107122	9703107023
38	Capacitor Clamp Metal	9351770013	313791061807
39	Propeller Fan Assy	9366378013	9366378013
41	Motor Induct	9601671015	9601671015
45-1	Motor Bracket	9371929019	9371929019
45-2	Motor Bracket-Top	9371931012	9371931012
45-3	Motor Bracket Ctr	9371930015	9371930015
45-4	Motor Bracket Bottom	9371932019	9371932019
46	Compressor Assy	9372558027	9372558010
51	Special Nut M5	9300301015	9300301015
55	Special Nut M8	9355091008	9355091008
64	Side Panel L Ptd	9371926018	9371926018
69-3	Bolt, Hex. Socket	301210060360	301210060360
85	Valve Plate Ptd	9371928012	9371928012
107	Rubber Seat-A	9351049010	9351049010
109	Teminal Cover (Comp)	9371511016	9371511016
187	Clip (Cable)	9352715006	9352715006
199	Br Sheet	9363708059	-----
218-3	Relay	9900074012	9900074012
218-4	Power Relay	-----	-----
259	Muffler	9372369012	-----
271	4-Way Valve Rubber	313728251908	313728251908
272	Strainer	9369287008	9369287008
333	Accumulator	-----	9368391003
343	Solenoid	9900165017	9900165017
344	4-Way Valve	9970036019	9900163013
361	Accum Support Assy	-----	9372252017
412	Cover Gasket (Comp.)	9371512013	9371512013
413	Heater (Crank Case)	-----	-----
527	Protectiive Net	9371934013	9371934013
734	Top Panel	9371925011	9371925011
735-3	Capillary Assy	9372197042	9372197028
754	Terminal Gask. Washer	9351053017	9351053017
815-3	Terminal-5P	9358660119	9358660119
823-2	Fuse Holder	0500063024	0500063024
824-4	Fuse	0600222529	0600222529
982-1	Cord Clamp-A	9359822011	9359822011
982-2	Cord Clamp-B	9359823018	9359823018

STANDARD ACCESSORIES

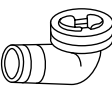
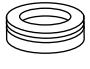
The following installation parts are furnished. Use them as required.

INDOOR UNIT ACCESSORIES


Name and Shape	Q'ty	Application	Parts No.
Cover plate (left) 	1		9358536018
Cover plate (right) 	1		9358535011
Installation template 	1	For positioning the indoor unit For under ceiling type	9359107002
Bracket (left) 	1	For suspending the indoor unit from ceiling	9358596005
Bracket (right) 	1		9358595008
Anchor bolt (M12) 	4		313806339400
Special nut 	4		
Spring washer 	4		
Wall bracket 	2	For suspending the indoor unit on the wall	9358597002
Tapping screw (φ4 x 20) 	6	For fixing the wall bracket	301141164200
Tapping screw (φ4 x 10) 	2		301171164104
Coupler heat insulator (large) 	1	For indoor side pipe joint (Large pipe)	9350716012
Coupler heat insulator (small) 	1	For indoor side pipe joint (Small pipe)	313209328104
Nylon fastener 	1	For fixing the drain hose	312300787605

Name and Shape	Q'ty	Application	Parts No.
Drain hose 	1		9359242000
Insulation (drain hose) 	1	Adhesive type 70 x 230	9359225003
VT wire 	1	For fixing the drain hose L 280 mm	313806350303
Remote control unit 	1	Use for air conditioner operation	9371190020 (for cooling model) 9371190013 (for cooling & heating model)
Remote control unit holder 	1	Use as remote control unit holder	9305642014
Battery (penlight) 	2	For remote control unit	0600185534
Tapping screw (φ3 x 12) 	2	For remote control unit holder installation	301141533125

OUTDOOR UNIT ACCESSORIES

Name and Shape	Q'ty	Application
Drain pipe 	1	For outdoor unit drain piping work [Heat & Cool model (Reverse cycle) only]
Drain cap 	2	

OPTIONAL PARTS FOR INDOOR UNIT

Name and Shape	Q'ty	Application	Parts No.
Joint pipe-A 		For indoor side pipe joint	9302812021

0401G2485