


Drain pump unit


INSTALLATION MANUAL

For authorized service personnel only.

UTZ-PX1NAB

1. SAFETY PRECAUTIONS

| | |
|---|---|
|  WARNING | Indicates a potentially or imminently hazardous situation which, if not avoided, could result in death or serious injury. |
| For the air conditioner to operate satisfactorily, install as outlined in this installation manual. | |
| Never touch electrical components immediately after the power supply has been turned off. Electrical shock may occur. After turning off the power, always wait 5 minutes or more before touching electrical components. | |
| For installation purposes, be sure to use the parts supplied by the manufacturer or other prescribed parts. The use of non-prescribed parts can cause serious accidents such as the unit falling, water leakage, electric shock, or fire. | |
| Installation work must be performed in accordance with national wiring standards by authorized personnel only. | |
| Do not turn on the power until all installation work is complete. | |

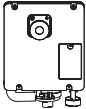



| | |
|---|--|
|  CAUTION | Indicates a potentially hazardous situation that may result in minor or moderate injury or damage to property. |
| Install a drain pump unit to each indoor unit. If 1 drain pump unit is connected to multiple indoor units, leakage may occur. | |
| Do not exert excess pressure, for example when holding the supplied drain hose. Otherwise the drain hose may come off and cause injuries. | |
| Do not turn off the power supply for 5 minutes after the operation has been stopped. Otherwise the remaining drain water may not be drained and leakage may occur. | |
| If leakage occurs from the interior of the indoor unit or drain pump unit during operation of the air-conditioner, stop the operation immediately. The drain outlet may be jammed and the safety circuit may not be working properly. | |

2. ABOUT THE UNIT

Before installing, please have the installation manual of the indoor unit on hand for detailed information.

2.1. Parts and accessories

- The following installation parts are furnished. Use them as required.

| Name and shape | Q'ty | Name and shape | Q'ty |
|--|------|--|------|
| Drain pump unit  | 1 | Drain cap  | 1 |
| Installation manual  | 1 | Cable tie  | 1 |

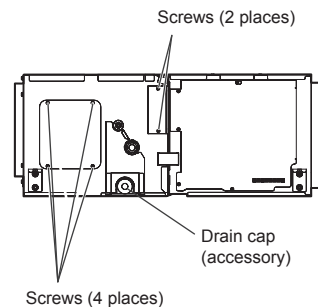
3. INSTALLATION PROCEDURES

NOTES: Please refer to the installation manual of the indoor unit for installation details.

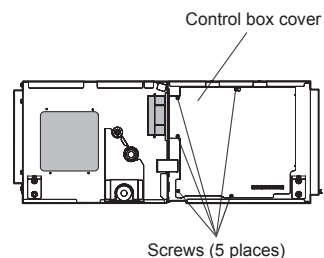
3.1. Installing the drain pump unit

For separable type:

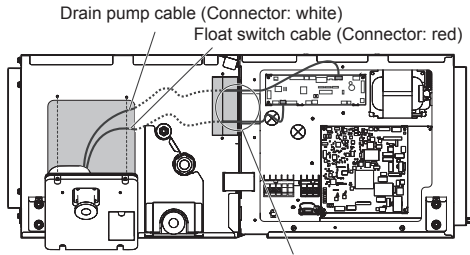
- Remove the drain pump panel (4 screws) and cable cover (2 screws). Attach the drain cap (accessory) to the drain port of the indoor unit.



- Remove the control box cover (5 screws).

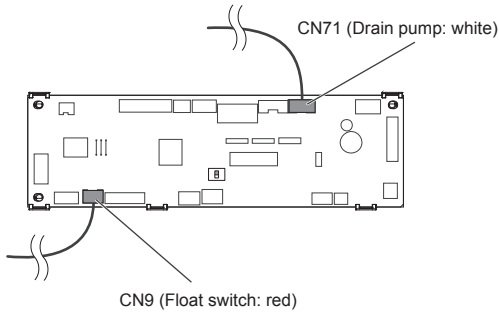


- (3) Insert the cables of the drain pump unit through the opening. Place the cables as shown. Fasten the drain pump unit with the 4 screws in step (1).

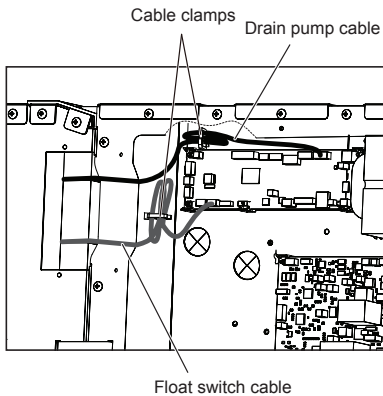


Insert the cables separately into the slit in the cushion.

- (4) Connect the cables to the indoor unit main PCB.



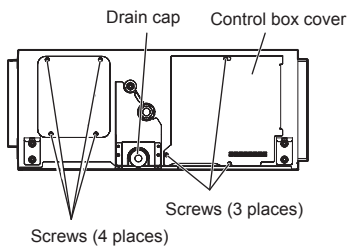
- (5) Bind the cables separately using the cable clamp attached to the control box.



- (6) Replace the control panel (5 screws) and cable cover (2 screws) as shown in step (1) and (2).

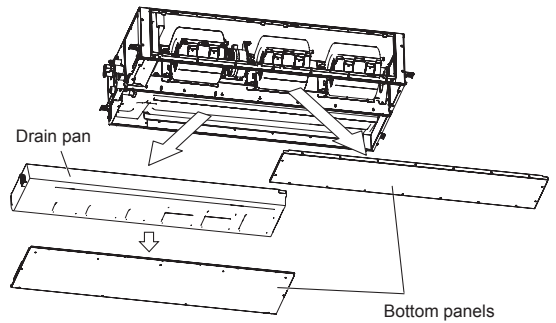
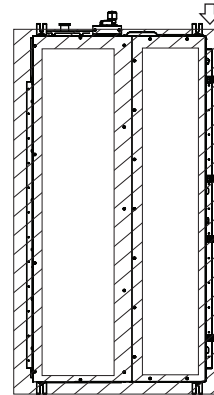
For other standard types:

- (1) Remove the drain pump panel (4 screws) and control box cover (3 screws). Attach the drain cap to the drain port of the indoor unit.

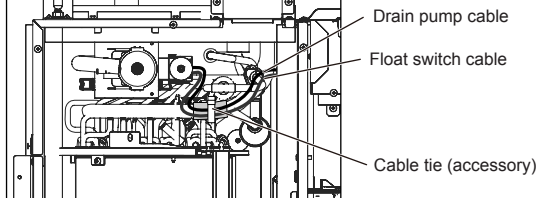
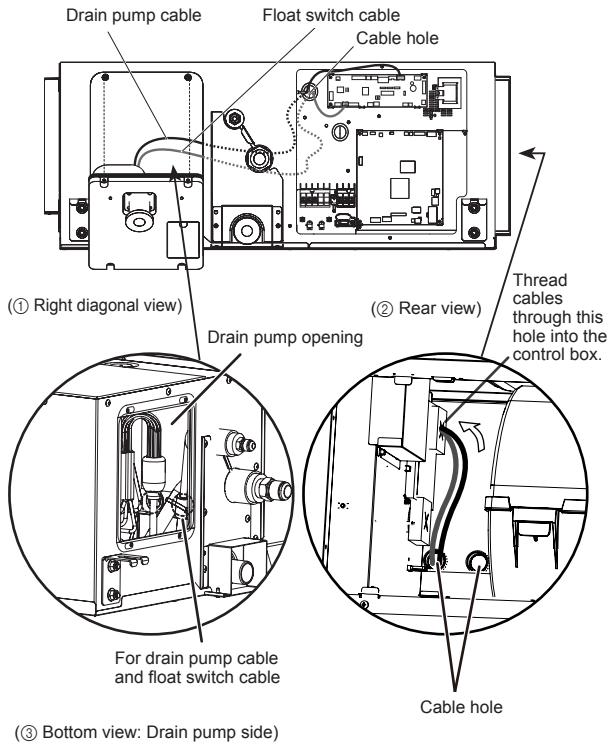


- (2) Remove the bottom panels and drain pan by removing the screws within the shaded part of the following figure. The number of screws will differ with each type.

(Bottom view) Screws down this line are on the rear view side.

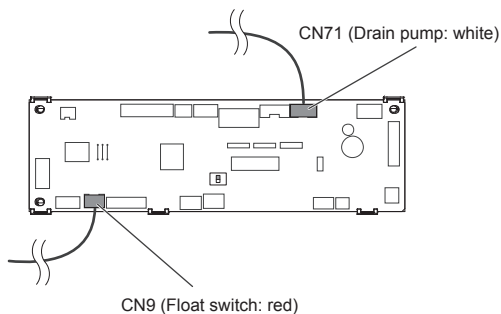


- (3) Insert the cables of the drain pump unit through the opening. Thread the cables as shown (① ~ ③). Fix the drain pump unit with the 4 screws in step (1).

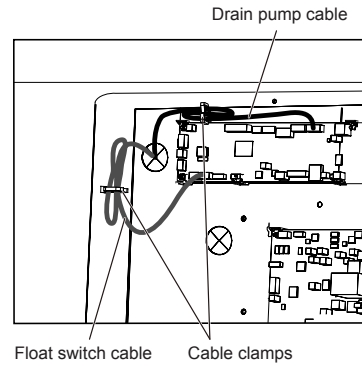


* To prevent water from entering the fan unit side, provide a trap by binding the cables to the pipe with the cable tie (accessory).

- (4) Connect the cables to the indoor unit main PCB.



- (5) Bind the cables separately using the cable clamp attached to the control box.



- (6) Replace the control panel (3 screws), drain pan, and bottom panels as shown in step (1) and (2).

3. 2. Installing the drain hose

⚠ CAUTION

Install the drain hose in accordance with the instructions in this installation manual and keep the area warm enough to prevent condensation. Problems with the piping may lead to water leaks.

Be sure to properly insulate the drain hose so that the water will not drip from the connected parts.

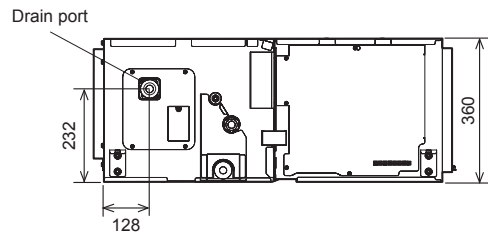
The position of the installed drain hose should have a downward gradient of 1/100 or more.

Do not connect the drain hose in which ammonia or other types of gas affecting the unit is generated. Heat exchange erosion may occur.

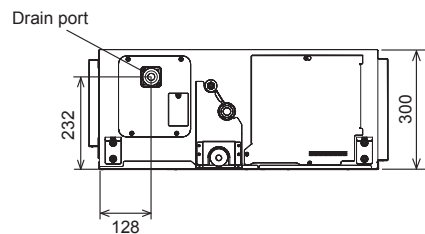
Install the drain hose according to the measurements given in the following figure.

For separable type:

Unit: mm

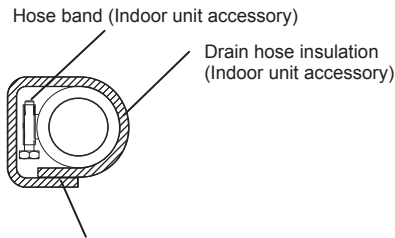
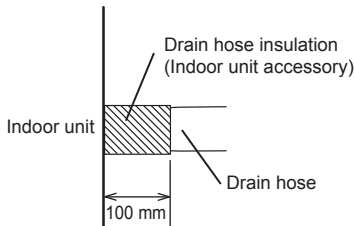
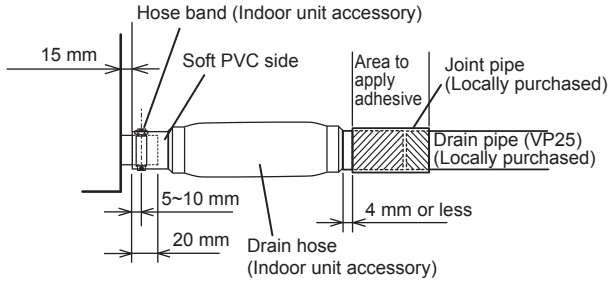


For other standard types:



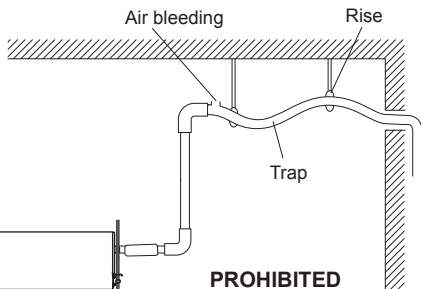
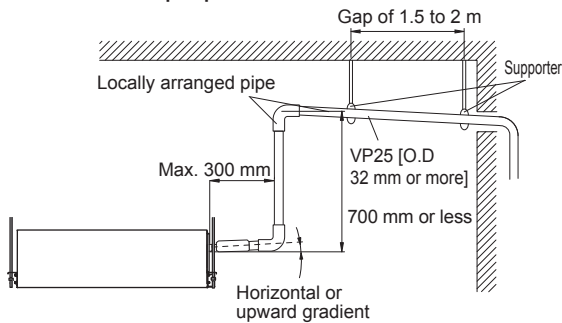
3. 2. 1. How to install the drain hose

- (1) Install the drain hose (indoor unit accessory) to the drain port of the indoor unit. Attach the hose band around the hose within the dimension shown. Secure firmly with the hose band.
- (2) Attach the drain pipe (locally purchased). Use general hard polyvinyl chloride pipe (VP25) [outside diameter 32 mm] and connect it with adhesive (polyvinyl chloride) so that there is no leakage.
- (3) Check the drainage.
- (4) Wrap the drain hose insulation around the drain hose connection.

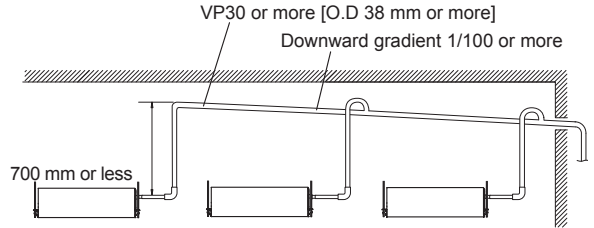


Overlap the heat insulation.

3. 2. 2. When drain pump is used



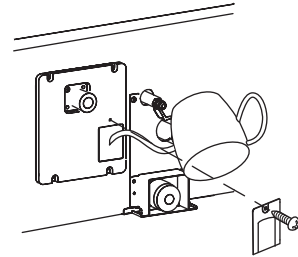
Observe the following procedures to construct centralized drain pipe fittings.



4. TEST RUN

Note: Check for drainage

After all work has been done, turn on the power supply and gradually pour about 1 liter of water from the position shown in the diagram or from the airflow outlet to the dew tray. Check for any abnormalities such as strange noises and whether the drain pump functions normally.



CAUTION

Make sure the drain water is properly drained.

5. CHECK LIST

After installation is complete, be sure to check the following check items again.

| Check items | Check box |
|---|--------------------------|
| Is the drain pipe securely connected? Is there any possibility of leakage? | <input type="checkbox"/> |
| Is there any trap in the hose of the drain pump unit? | <input type="checkbox"/> |
| Is the hose of the drain pump unit on a downward gradient? (1/50 to 1/100) | <input type="checkbox"/> |
| Is the drain pipe on a downward gradient? (1/50 to 1/100) | <input type="checkbox"/> |
| Are both ends of the joint hose properly insulated? | <input type="checkbox"/> |
| Are there any wrong wirings? | <input type="checkbox"/> |