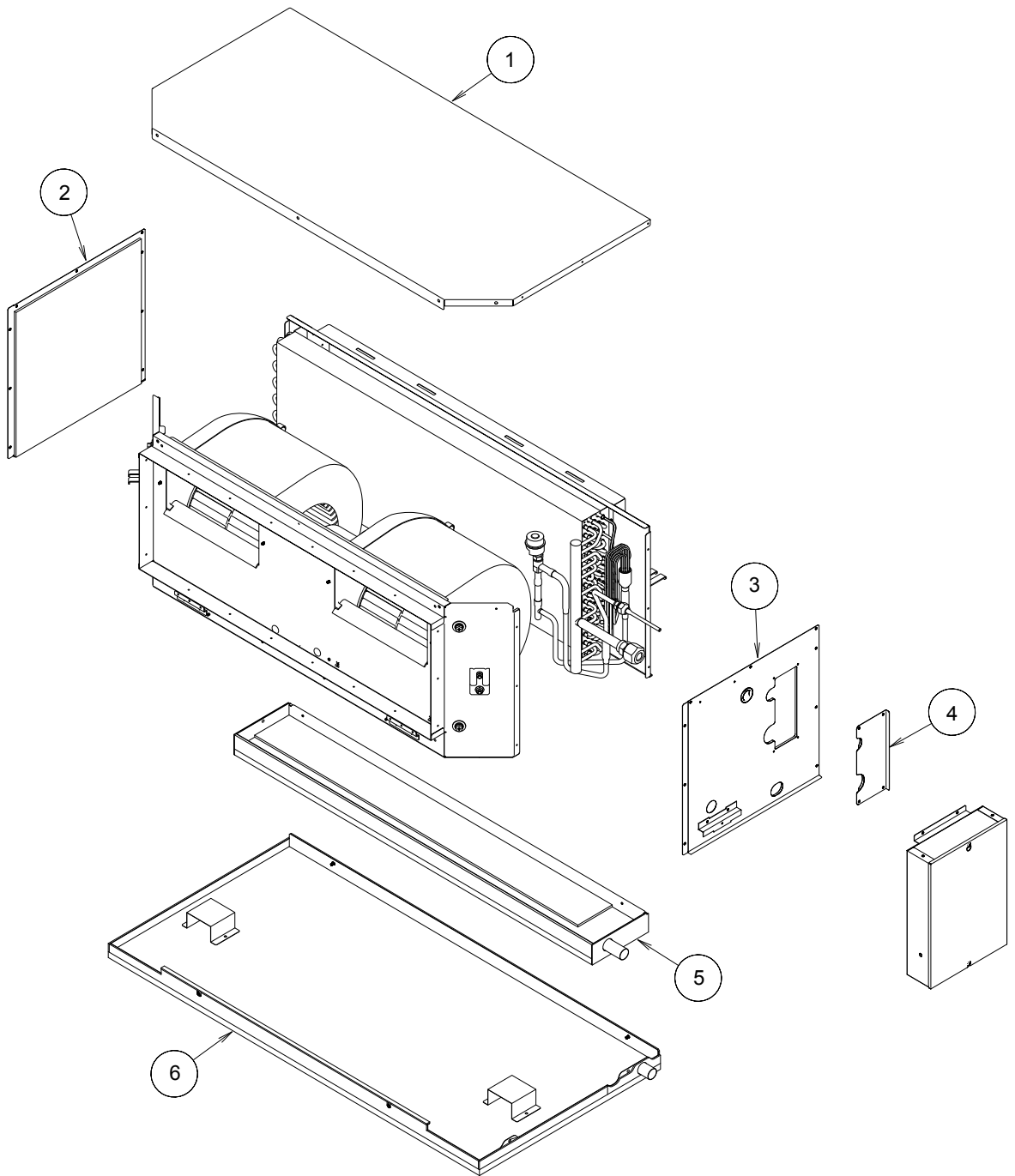
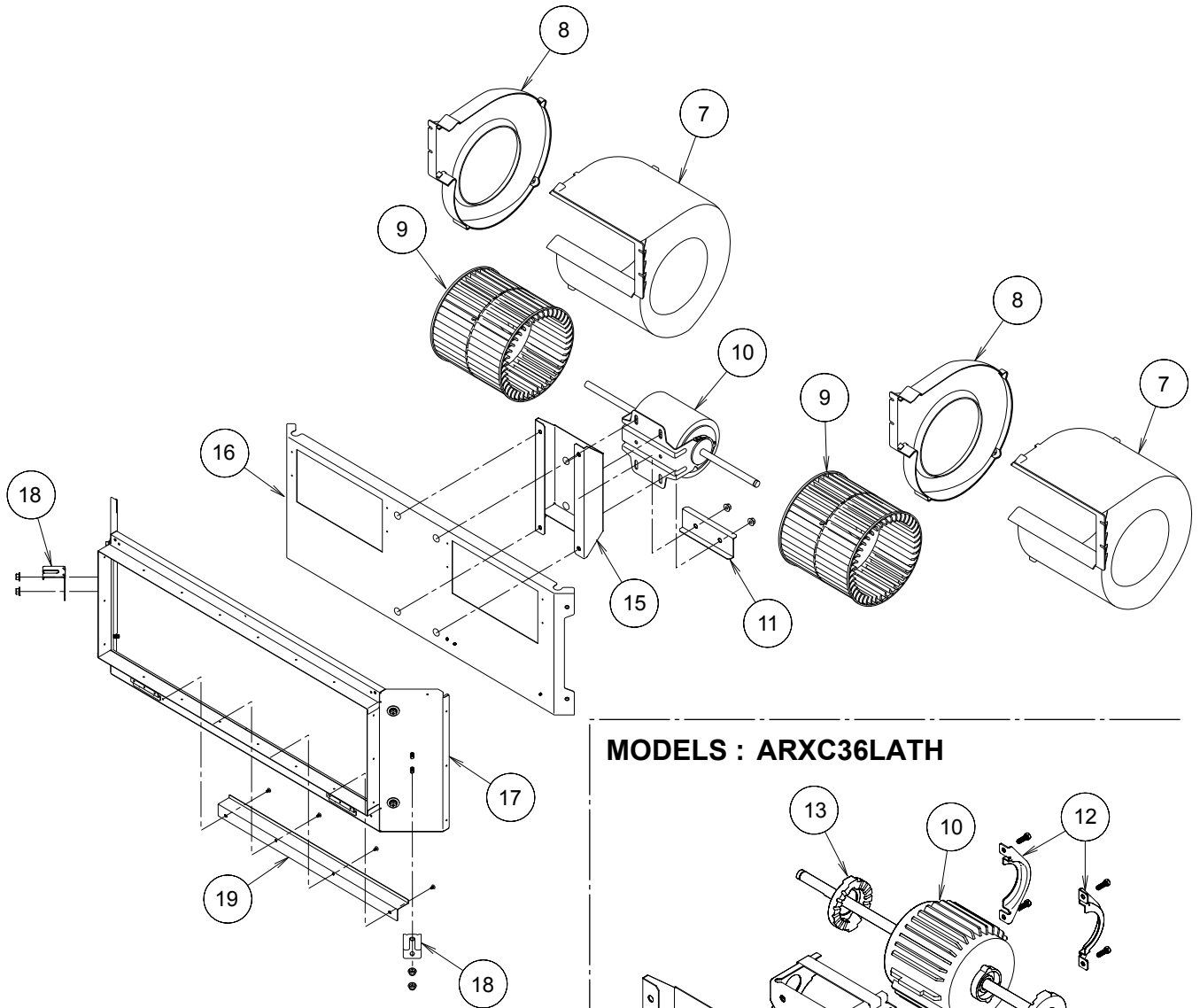


**MODELS : ARXC36/ 45/ 60LATH**

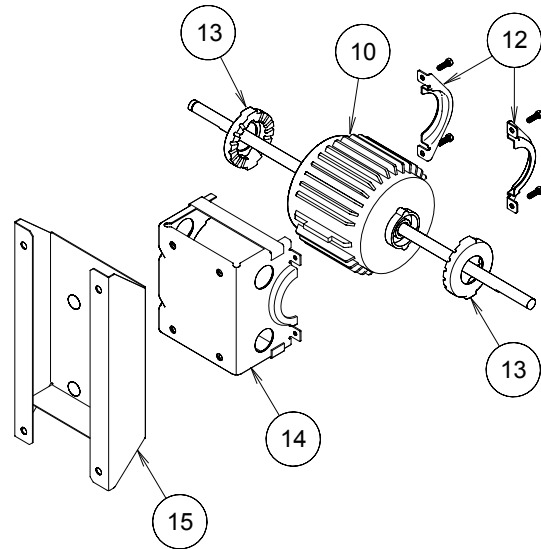


Ref No.	Description	Parts No.			Q'ty
		ARXC36LATH	ARXC45LATH	ARXC60LATH	
1	PLATE TOP SA	9372576014	9372576014	9372576014	
2	KIT(PANEL LEFT SA)	9372581018	9372581018	9372581018	
3	PANEL RIGHT SA	9372580011	9372580011	9372580011	
4	KIT(PANEL MAINTEN SA)	9372583012	9372583012	9372583012	
5	DRAIN PAN SA	9372579015	9372579015	9372579015	
6	DRAIN PAN S SA	9372582015	9372582015	9372582015	

**MODELS : ARXC45/ 60LATH**

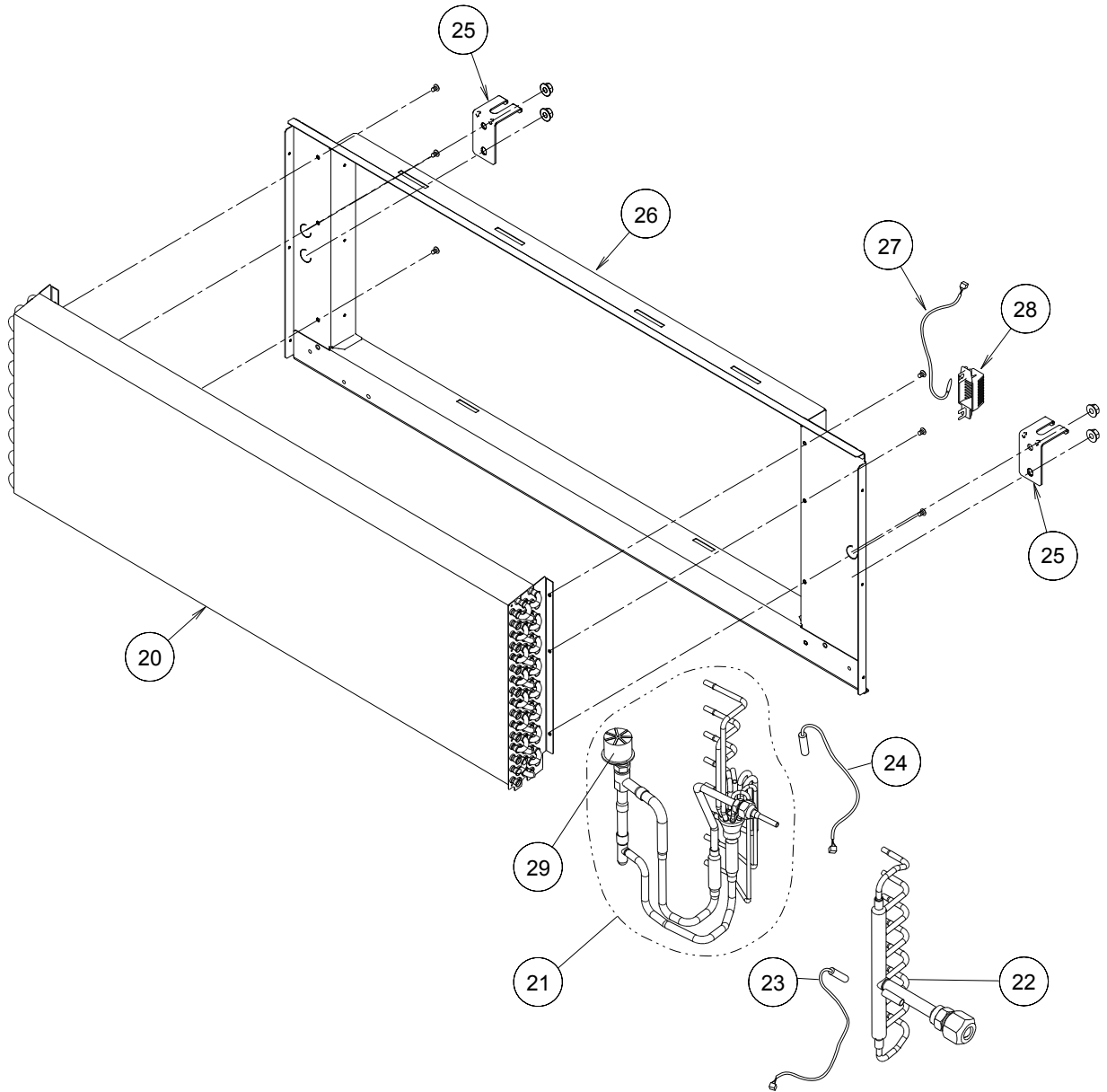


**MODELS : ARXC36LATH**



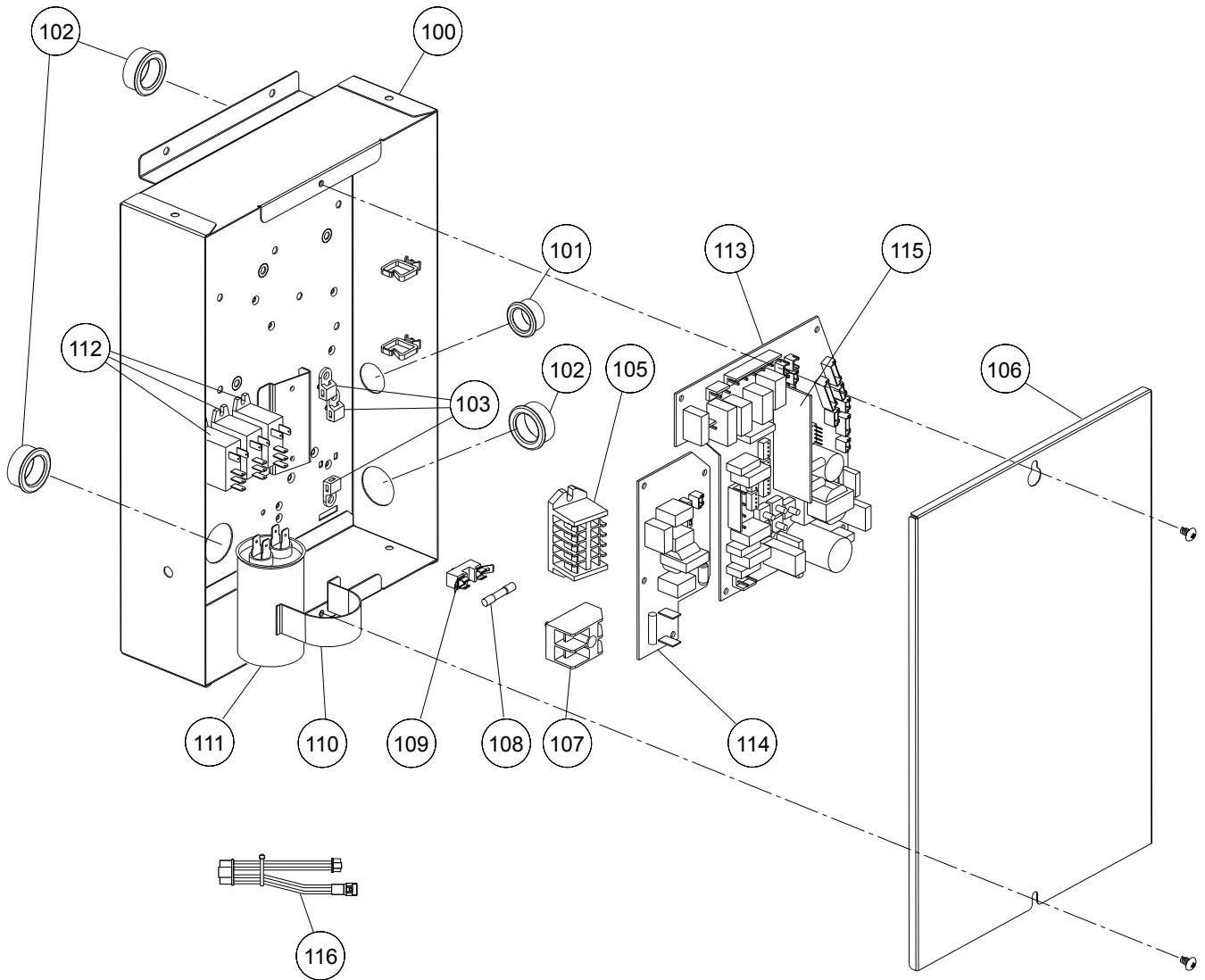
Ref No.	Description	Parts No.			Q'ty
		ARXC36LATH	ARXC45LATH	ARXC60LATH	
7	CASING A	9372057018	9372057018	9372057018	
8	CASING B	9372058015	9372058015	9372058015	
9	SIROCCO FAN	9372059012	9372059012	9372059012	
10	MOTOR INDUCTION	9601689027	9601688013	9601688013	
11	BRACKET MTR B	-	9372039007	9372039007	
12	BRACKET(MOTOR)	9356536003	-	-	
13	RUBBER (VIBRATION PROOF)	313659068604	-	-	
14	MOTOR MOUNT AS	9372052006	-	-	
15	BRACKET MTR ASSY	9372037003	9372037003	9372037003	
16	PANEL FAN ASSY	9372035009	9372035009	9372035009	
17	KIT(PANEL FRONT SA)	9372637029	9372637029	9372637029	
18	HOOK METAL	9372055007	9372055007	9372055007	
19	PANEL FRONT E	9372034002	9372034002	9372034002	

**MODELS : ARXC36/ 45/ 60LATH**



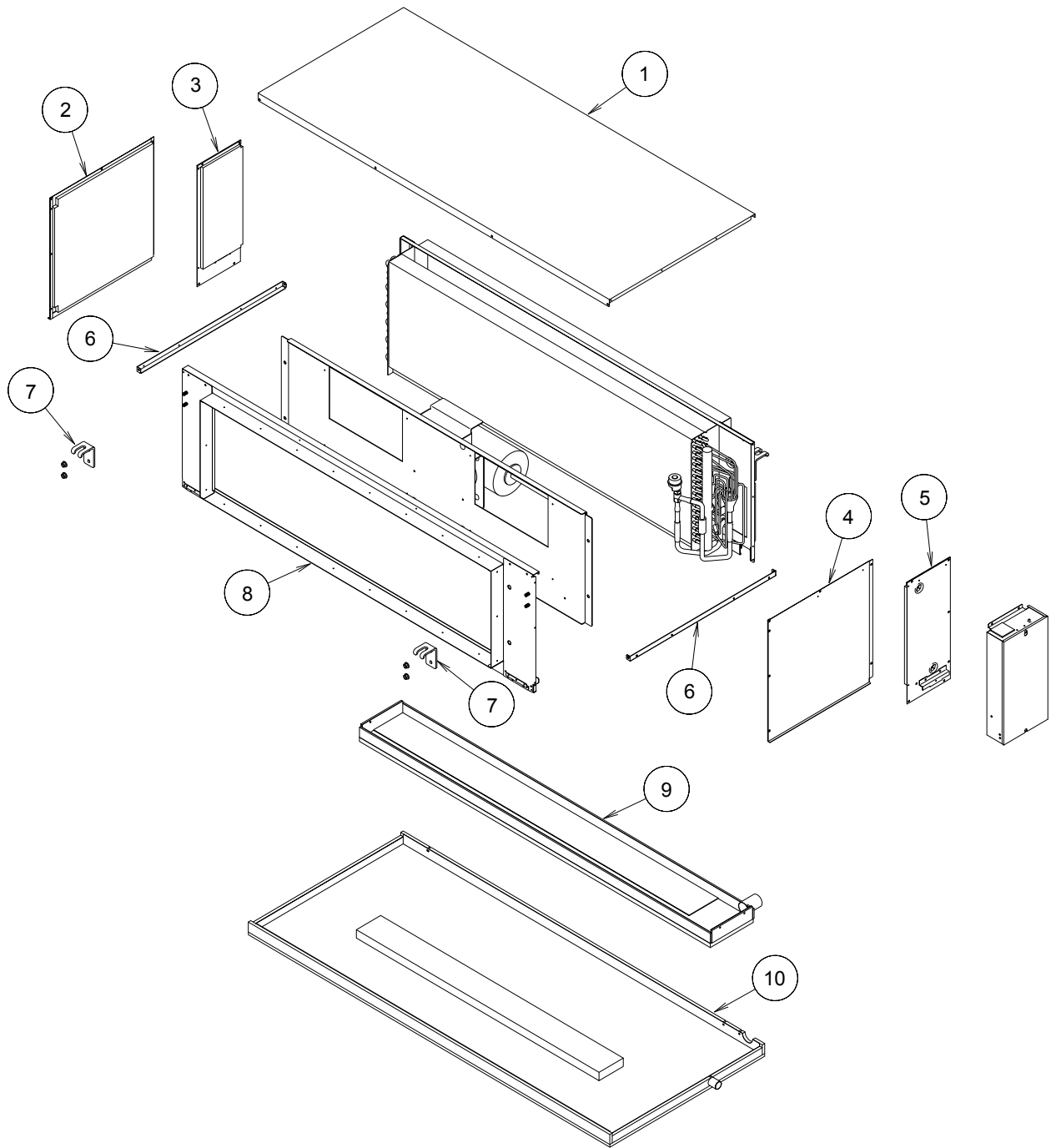
Ref No.	Description	Parts No.			Q'ty
		ARXC36LATH	ARXC45LATH	ARXC60LATH	
20	EVAPORATOR TOTAL ASSY	9372584125	9372584125	9372584132	
-	EVAPORATOR ASSY	9373875017	9373875017	9372585030	
21	DISTRIBUTOR ASSY	9371325514	9371325514	9371325521	
22	COUPLING PIPE ASSY	9373038566	9373038566	9373038573	
23	THERMISTOR (PIPE-OUT)	9900498047	9900498047	9900498047	
24	THERMISTOR (PIPE-IN)	9900509002	9900509002	9900509002	
25	HOOK METAL	9372055007	9372055007	9372055007	
26	KIT (PNL REAR SA)	9372636039	9372636039	9372636039	
27	THERMISTOR (ROOM)	9703299216	9703299216	9703299216	
28	BRACKET (THERMOSTAT)	9367369010	9367369010	9367369010	
29	EXPANSION VALVE	9970086038	9970086038	9970086038	

**MODELS : ARXC36/ 45/ 60LATH**



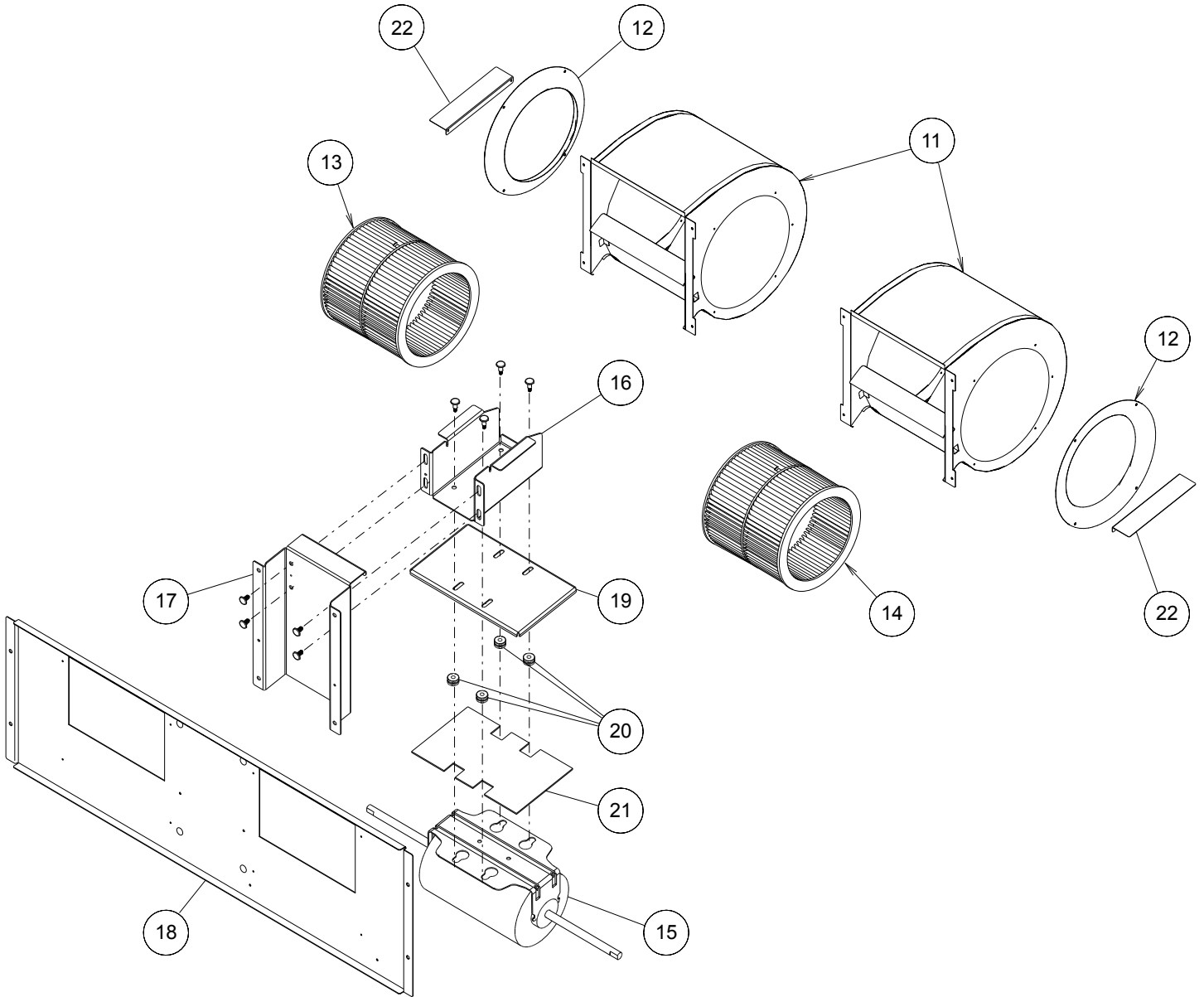
Ref No.	Description	Parts No.			Q'ty
		ARXC36LATH	ARXC45LATH	ARXC60LATH	
100	CONTROL BOX AS	9378703001	9378703001	9378703001	
101	ONE-TOUCH BUSH	9364788005	9364788005	9364788005	
102	ONE-TOUCH BUSH	9374407019	9374407019	9374407019	
103	STOPPER (WIRE CLAMP)	0600179113	0600179113	0600179113	
105	TERMINAL 5P	9900510008	9900510008	9900510008	
106	COVER BOX	9372061008	9372061008	9372061008	
107	TERMINAL 2P	9703873027	9703873027	9703873027	
108	FUSE 250V 10A	0600376116	0600376116	0600376116	
109	FUSE HOLDER	0501456016	0501456016	0501456016	
110	CLAMP METAL(CAPACITOR)	9308114006	9308114006	9308114006	
111	CAPACITOR(FAN MOTOR)	9900269173	9900269111	9900269111	
112	RELAY	9900294014	9900294014	9900294014	
113	CONTROLLER PCB	9707973075	9707973075	9707973075	
114	FILTER PCB	9707887013	9707887013	9707887013	
115	COMMUNICATION PCB	9707774016	9707774016	9707774016	
116	THERMISTOR CONNECTION WIRE	9707854022	9707854022	9707854022	
-	FUSE 250V 3.15A(FILTER PCB F101)	0600222512	0600222512	0600222512	
-	FUSE HOLDER	0500158072	0500158072	0500158072	

**MODELS : ARXC72/ 90LATH**



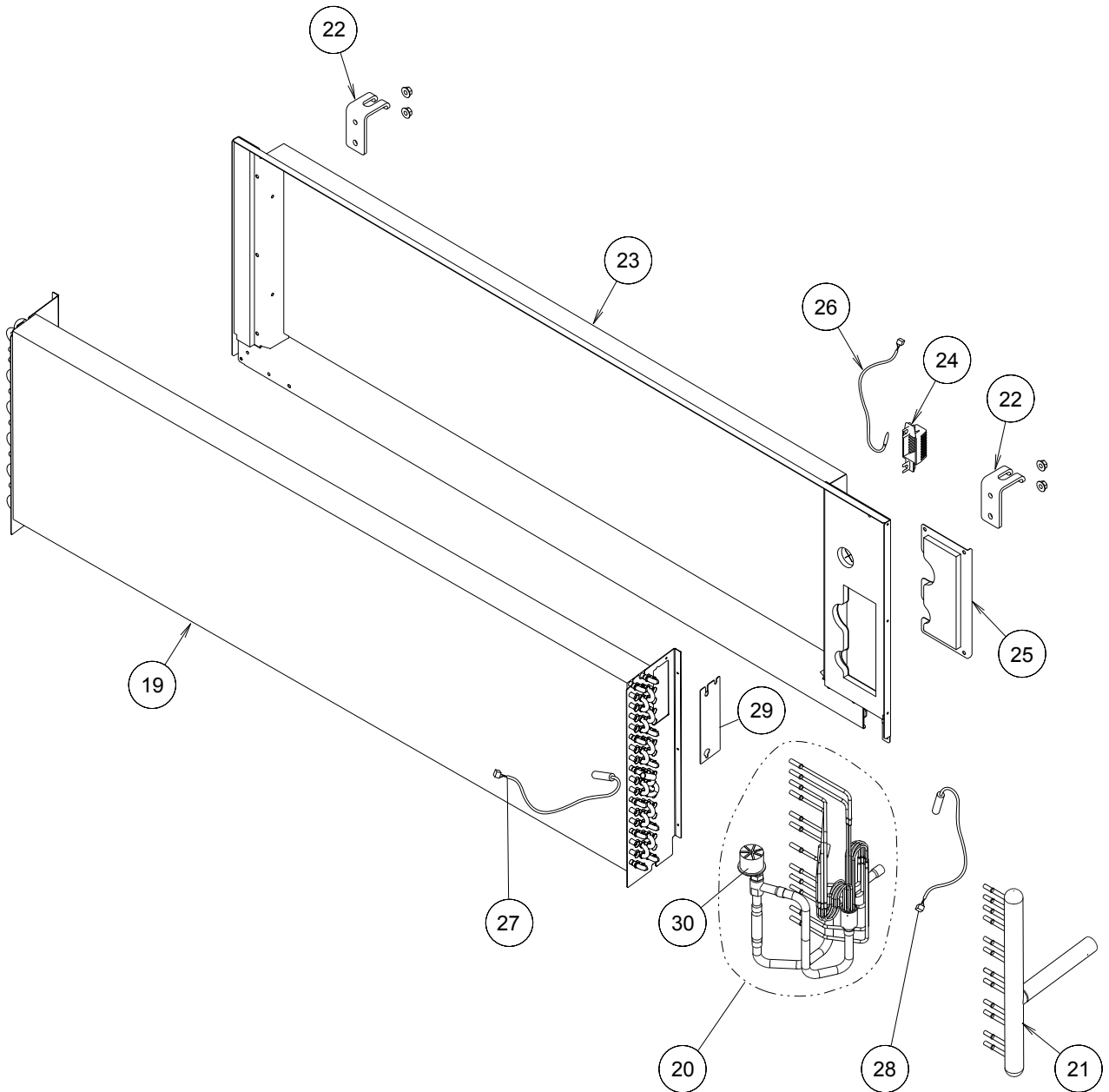
Ref No.	Description	Parts No.				Q'ty
		ARXC72LATH	ARXC90LATH			
1	TOP PLATE SA	9364679013	9364679013			
2	LEFT PANEL SA	9364687018	9364687018			
3	SIDE PANEL L SA	9364685014	9364685014			
4	RIGHT PANEL SA	9364686011	9364686011			
5	SIDE PANEL R SA	9364684017	9364684017			
6	BEAM SA	9364683010	9364683010			
7	HOOK METAL	9364669007	9364669007			
8	KIT(PANEL FRONT SA)	9371359014	9371359014			
9	DRAIN PAN SA	9364682013	9364682013			
10	S DRAIN PAN SA	9364688015	9364688015			

**MODELS : ARXC72/ 90LATH**



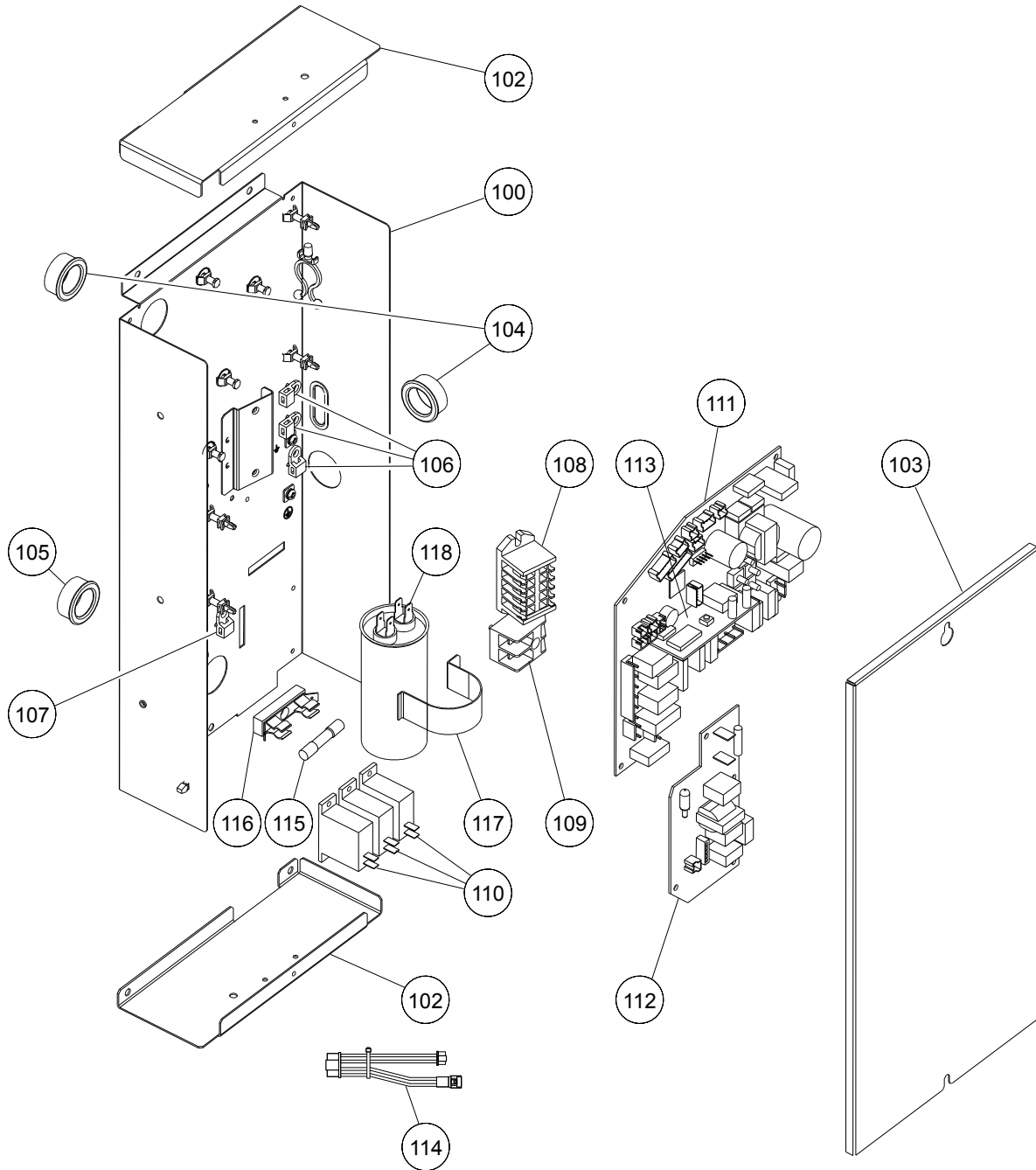
Ref No.	Description	Parts No.			Q'ty
		ARXC72LATH	ARXC90LATH		
11	KIT(CASING SA)	9371381015	9371381015		
12	KIT(BELL MOUTH SA)	9371382012	9371382012		
13	SIROCCO FAN L	9364665054	9364665054		
14	SIROCCO FAN R	9364665061	9364665061		
15	MOTOR INDUCTION	9602800018	9602801015		
16	PLATE MOTOR ASSY	9378697003	9378697003		
17	BRACKET MOTOR AS	9378698000	9378698000		
18	PANEL FAN ASSY	9364628004	9364628004		
19	PLATE MOTOR(RFM)	9378691001	9378691001		
20	RUBBER MOTOR	9378832008	9378832008		
21	RUBBER SHEET	9379027007	9379027007		
22	SHIELDING PLATE	9378690004	9378690004		

**MODELS : ARXC72/ 90LATH**



Ref No.	Description	Parts No.				Q'ty
		ARXC72LATH	ARXC90LATH			
19	EVAPORATOR TOTAL ASSY	9365149072	9365149072			
-	EVAPORATOR ASSY	9378699007	9378699007			
20	DISTRIBUTOR ASSY	9371325538	9371325538			
21	COUPLING PIPE ASSY	9373038603	9373038603			
22	HOOK METAL	9364669007	9364669007			
23	KIT (REAR PANEL SA)	9371383026	9371383026			
24	BRACKET (THERMOSTAT)	9367369010	9367369010			
25	MENTE PANEL SA	9364691015	9364691015			
26	THERMISTOR(ROOM)	9703299056	9703299056			
27	THERMISTOR(PPIPE-MID)	9900498023	9900498023			
28	THERMISTOR(PPIPE-IN)	9900509019	9900509019			
29	PANEL EVA COVER	9378694002	9378694002			
30	EXPANSION VALVE	9970087028	9970087028			




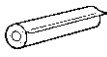


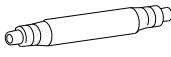

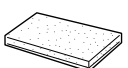
**MODELS : ARXC72/ 90LATH**










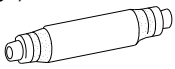



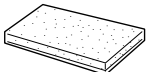

Ref No.	Description	Parts No.			Q'ty
		ARXC72LATH	ARXC90LATH		
100	CONTROL BOX AS	9378700000	9378700000		
102	PLATE(BOX) B	9375023034	9375023034		
103	CONTROL BOX COVER	9378696006	9378696006		
104	ONE-TOUCH BUSH	9374407019	9374407019		
105	ONE-TOUCH BUSH	9374407026	9374407026		
106	STOPPER (WIRE CLAMP)	0600179113	0600179113		
107	STOPPER (WIRE CLAMP)	0600455019	0600455019		
108	TERMINAL 5P	9900510008	9900510008		
109	TERMINAL 2P	9703873027	9703873027		
110	RELAY	9900294014	9900294014		
111	CONTROLLER PCB	9707973082	9707973082		
112	FILTER PCB	9707887075	9707887075		
113	COMMUNICATION PCB	9707774016	9707774016		
114	THERMISTOR CONNECTION WIRE	9707854022	9707854022		
115	FUSE 250V 15A	0600376123	0600376123		
116	FUSE HOLDER	0501456016	0501456016		
117	CLAMP METAL(CAPACITOR)	313468061808	313468061808		
118	CAPACITOR(FAN MOTOR)	9900269036	9900269036		



**MODELS : ARXC36/ 45/ 60LATH**

Name and Shape	Q'ty	Application	Parts No.		
			ARXC36LATH	ARXC45LATH	ARXC60LATH
Manual (Operation) 	1		9373384038	9373384038	9373384038
Manual (Installation) 	1		9373870036	9373870036	9373870036
Coupler heat Insulation (Large) 	1	For indoor unit installation	9378173569	9378173569	9378173569
Coupler heat Insulation (Small) 	1	For indoor unit installation	9378173521	9378173521	9378173521
Special nut A (Large flange) 	4	For indoor unit installation	313005446653	313005446653	313005446653
Special nut B (Small flange) 	4	For indoor unit installation	313005446759	313005446759	313005446759
Drain hose 	2	For installing drain pipe	9377785077	9377785077	9377785077
Hose band 	2	For installing drain pipe	9378437012	9378437012	9378437012
Drain hose insulation 	2	For installing drain pipe	9314450631	9314450631	9314450631

**MODELS : ARXC72/ 90LATH**

Name and Shape	Q'ty	Application	Parts No.
			ARXC72/ 90LATH
Manual (Operation) 	1		9373384038
Manual (Installation) 	1		9365748077
Coupler heat Insulation (Large) 	1	For indoor unit installation	9378173620
Coupler heat Insulation (Small) 	1	For indoor unit installation	9378173569
Special nut A (Large flange) 	4	For indoor unit installation	313005446653
Special nut B (Small flange) 	4	For indoor unit installation	313005446759
Washer 	8	For indoor unit installation	0700132278
Drain hose (Large) 	1	For installing drain pipe (For main drain port)	9377785053
Drain hose (Small) 	1	For installing drain pipe (For safety drain port)	9377785077
Hose Band (Large) 	1	For installing drain pipe	9378437043
Hose Band (Small) 	1	For installing drain pipe	9378437012
Drain hose insulation 	2	For installing drain pipe	9314450631
Wire 	1	[ARXC72] Use for static pressure less than 150 Pa. [ARXC90] Use for static pressure less than 200 Pa.	9707861013