

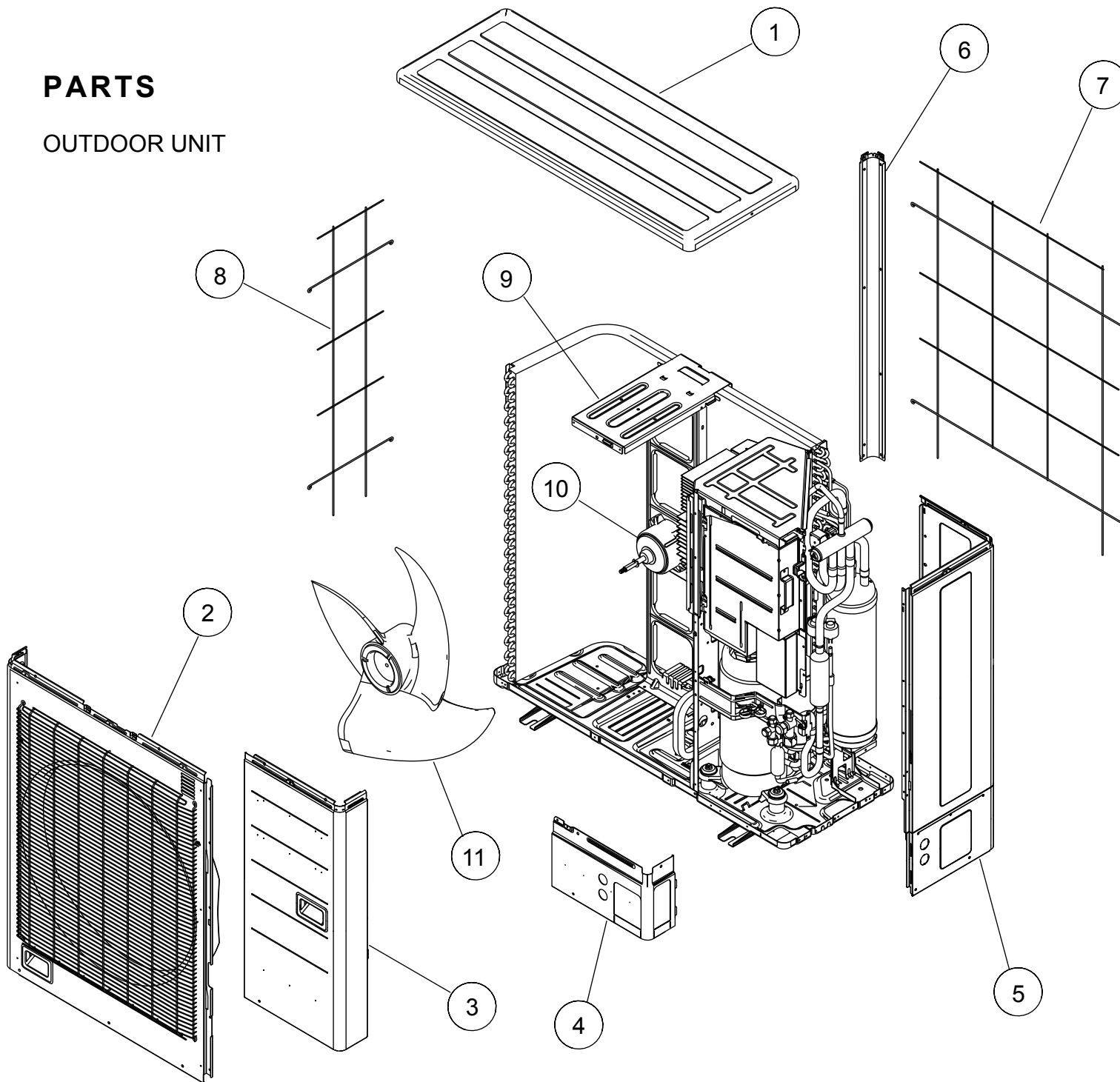
**SERVICE
MANUAL**

Outdoor unit
AOYG45LBT8



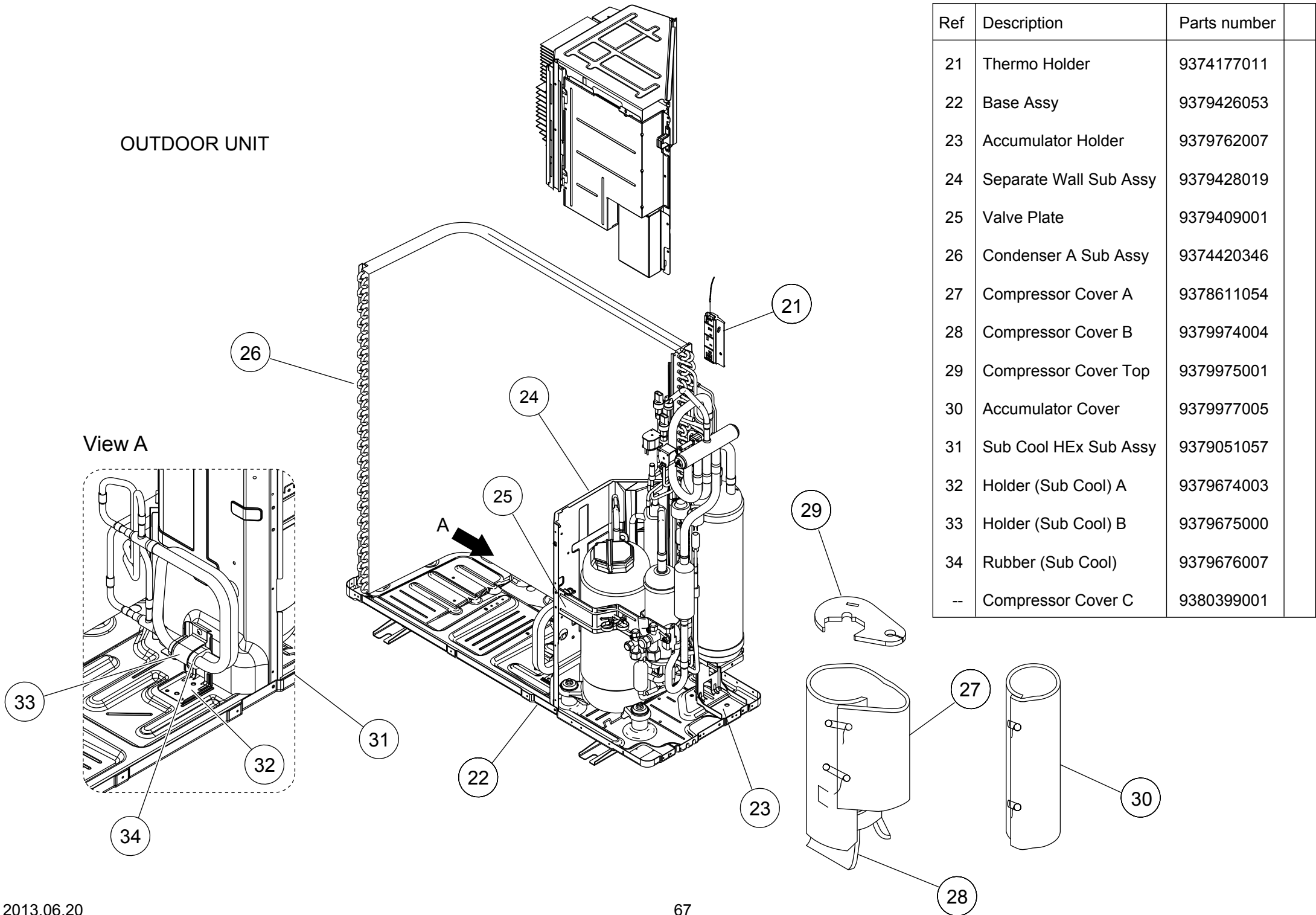
PARTS

OUTDOOR UNIT

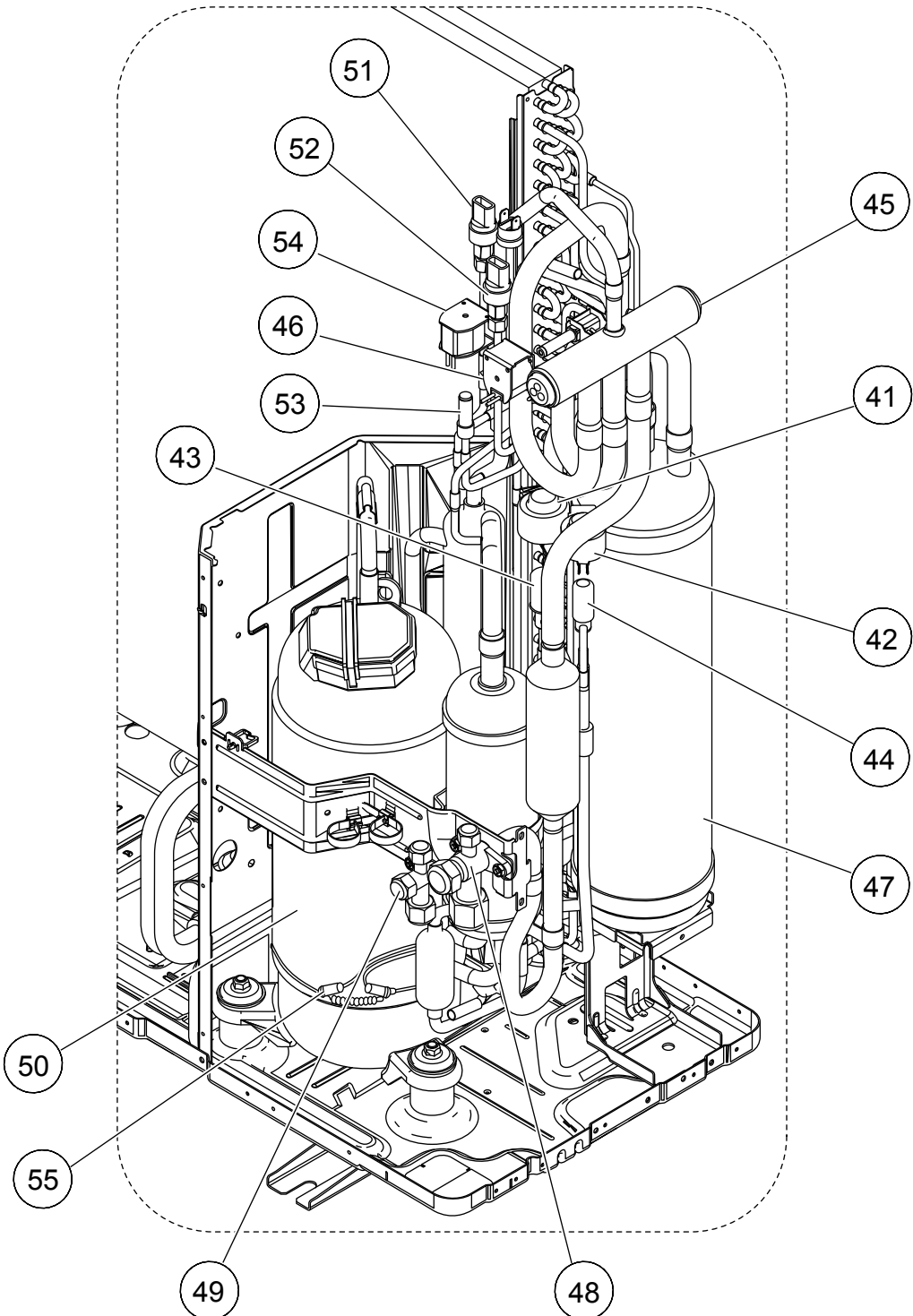


Ref	Description	Parts number
1	Top Panel Sub Assy	9379416023
2	Front Panel Sub Assy	9379418010
3	Service Panel Sub Assy	9379424004
4	Pipe Cover Front	9378861015
5	Right Panel Sub Assy	9379420006
6	Left Panel	9379431002
7	Protective Net (Rear)	9379404006
8	Protective Net (Left)	9379396004
9	Motor Bracket Sub Assy	9379429016
10	Motor DC Brushless	9603013011
11	Propeller Fan	9379414005
--	Emblem Rear (FUJITSU)	9380114000

OUTDOOR UNIT



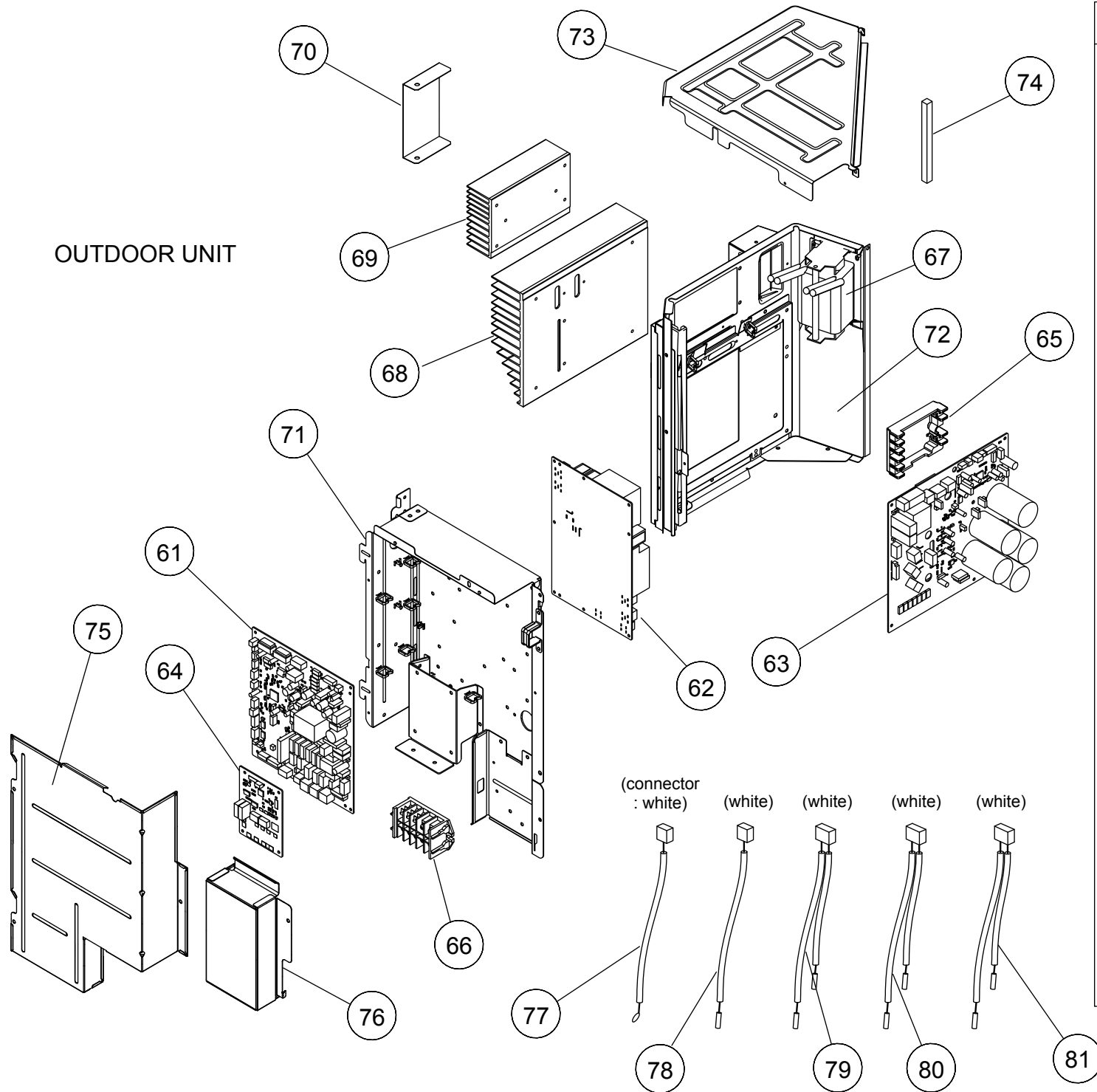
Ref	Description	Parts number
21	Thermo Holder	9374177011
22	Base Assy	9379426053
23	Accumulator Holder	9379762007
24	Separate Wall Sub Assy	9379428019
25	Valve Plate	9379409001
26	Condenser A Sub Assy	9374420346
27	Compressor Cover A	9378611054
28	Compressor Cover B	9379974004
29	Compressor Cover Top	9379975001
30	Accumulator Cover	9379977005
31	Sub Cool HEx Sub Assy	9379051057
32	Holder (Sub Cool) A	9379674003
33	Holder (Sub Cool) B	9379675000
34	Rubber (Sub Cool)	9379676007
--	Compressor Cover C	9380399001



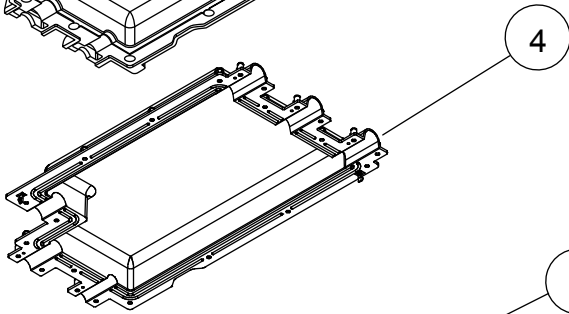
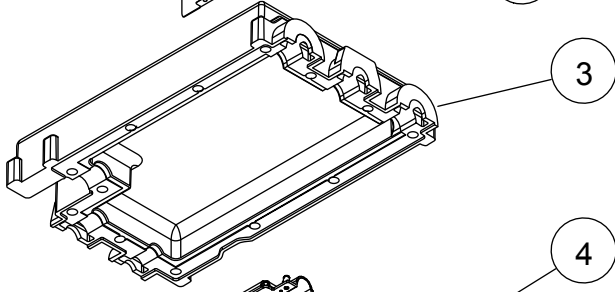
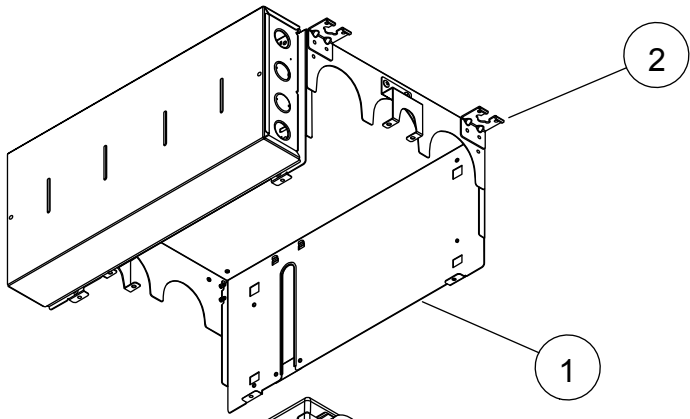
OUTDOOR UNIT

Ref	Description	Parts number
41	Expansion Valve Coil	9970098031
42	Expansion Valve Coil	9970096068
43	Expansion Valve A Assy	9380060093
44	Expansion Valve B Assy	9380060109
45	4-way Valve Assy	9374425303
46	Solenoid (4-way Valve)	9970055072
47	Accumulator Sub Assy	9372700044
48	3-way Valve A Assy	9380024019
49	3-way Valve B Assy	9380025047
50	Compressor Sub Assy	9374423248
51	Sensor (HP)	9900505059
52	Sensor (LP)	9900505066
53	Solenoid Valve Assy	9380016014
54	Solenoid (Solenoid Valve)	9900189228
55	Belt Heater	9361140301

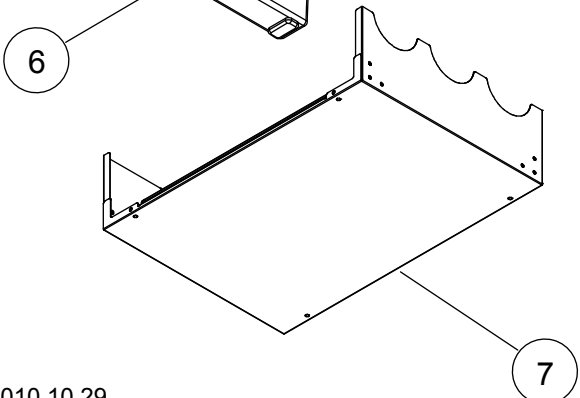
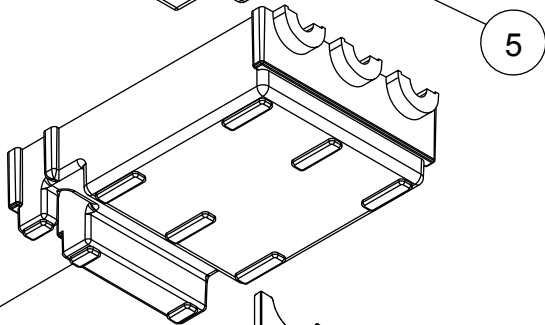
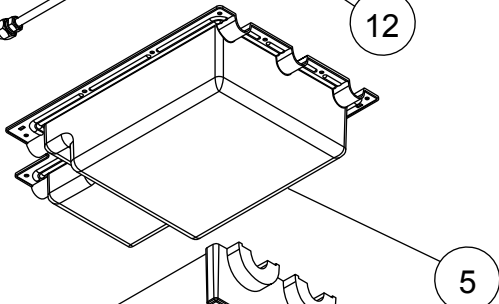
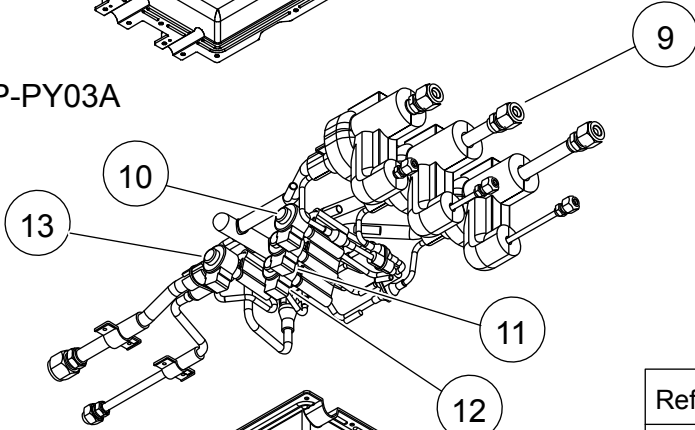
OUTDOOR UNIT



Ref	Description	Parts number
61	Main PWB Assy	9708488042
62	Filter PWB Assy	9708500027
63	Inverter PWB Assy	9708497051
64	I/O PWB Assy	9708485041
65	ACTPM	9708590004
66	Terminal	9900428020
67	Choke Coil	9900592011
68	Heat Sink A	9379787000
69	Heat Sink B	9379788014
70	Heat Sink B Cover	9380866008
71	Main Case Assy	9380049012
72	Inverter Case Assy	9380050018
73	Cover (Top)	9379774017
74	Insulation (Grip)	9314599835
75	Front Cover Assy	9380068006
76	Terminal Cover	9379850001
77	Thermistor (Outdoor)	9900210052
78	Thermistor (Suction)	9900600006
79	Thermistor Assy (Heat Ex & Subcool Lo (Out))	9900599003
80	Thermistor Assy (Subcool Lo (In) & Hi (Out))	9900599010
81	Thermistor Assy (Discharge & Comp. Temp.)	9900598006



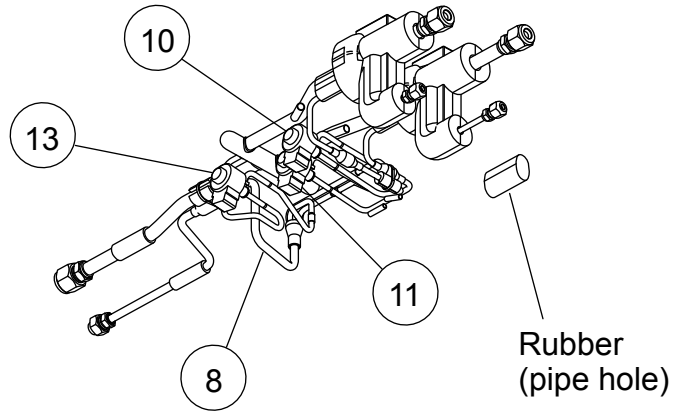
UTP-PY03A



PARTS

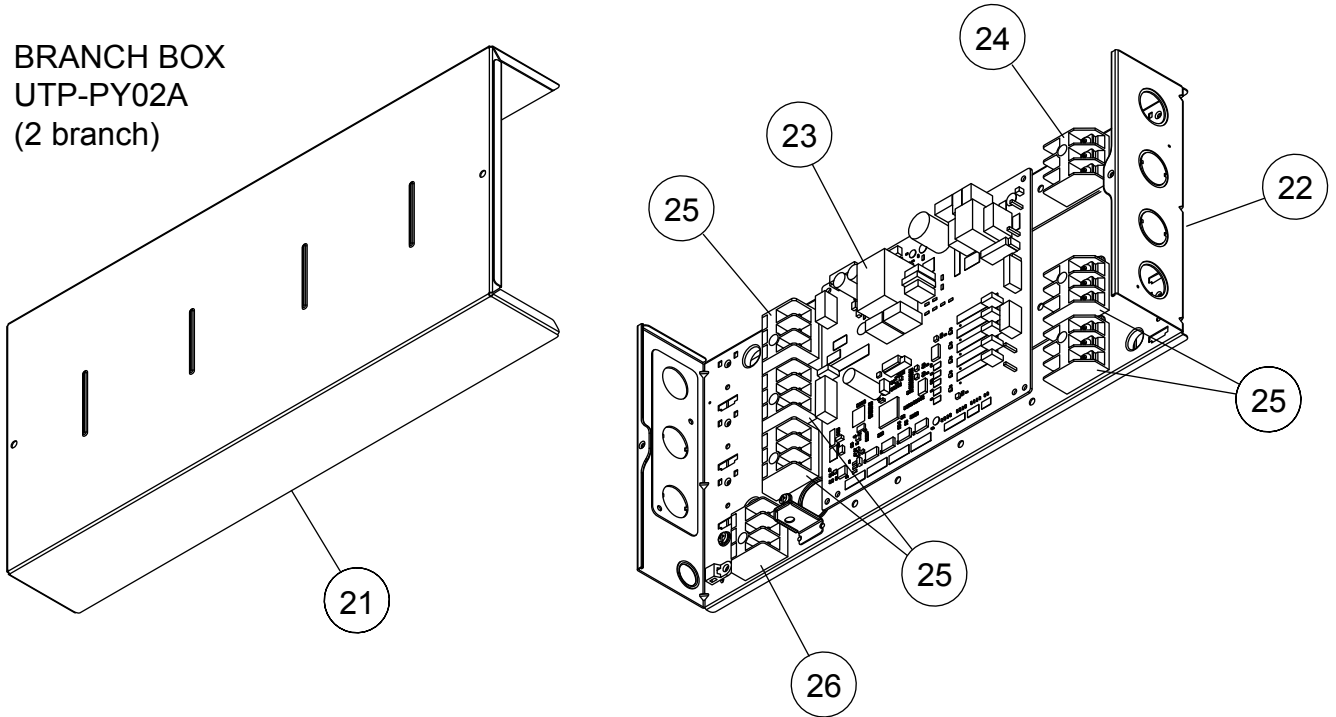
BRANCH BOX
 UTP-PY02A (2 branch)
 UTP-PY03A (3 branch)

UTP-PY02A

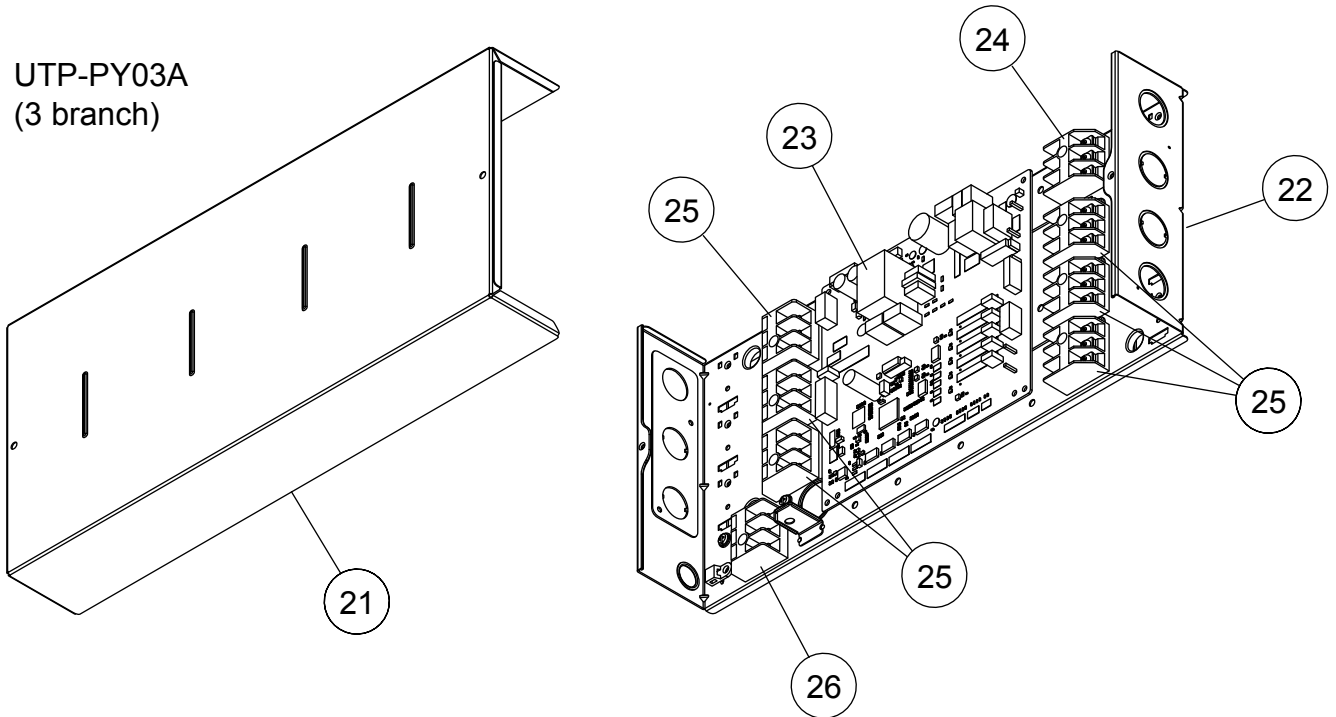


Ref	Description	Parts number
1	Top Panel	9379775007
2	Hook Metal	9379778008
3	Insulation Box (Top) Sub Assy	9380102007
4	Top Case Sub Assy	9380108009
5	Bottom Case	9379789004
6	Insulation Box (Bottom) Sub Assy	9380103004
7	Bottom Panel	9379776004
8	Pipe Unit (UTP-PY02A)	9380055037
9	Pipe Unit (UTP-PY03A)	9380055020
10	EEV Coil A (Red)	9970106019
11	EEV Coil B (White)	9970106026
12	EEV Coil C (Green) (UTP-PY03A only)	9970106033
13	EEV Coil Bypass (Blue)	9970106040
--	Thermistor Assy A B (Red & White)	9900596002
--	Thermistor Assy C (Green) (03 only)	9900597009

BRANCH BOX
UTP-PY02A
(2 branch)



UTP-PY03A
(3 branch)



Ref	Description	Parts number
21	Control Box Cover	9379781008
22	Control Box Assy	9380053002
23	Controller PCB Assy	9708741017
24	Terminal (Power)	9306489199
25	Terminal (Inner)	9306489182
26	Terminal (Remote)	9900567002