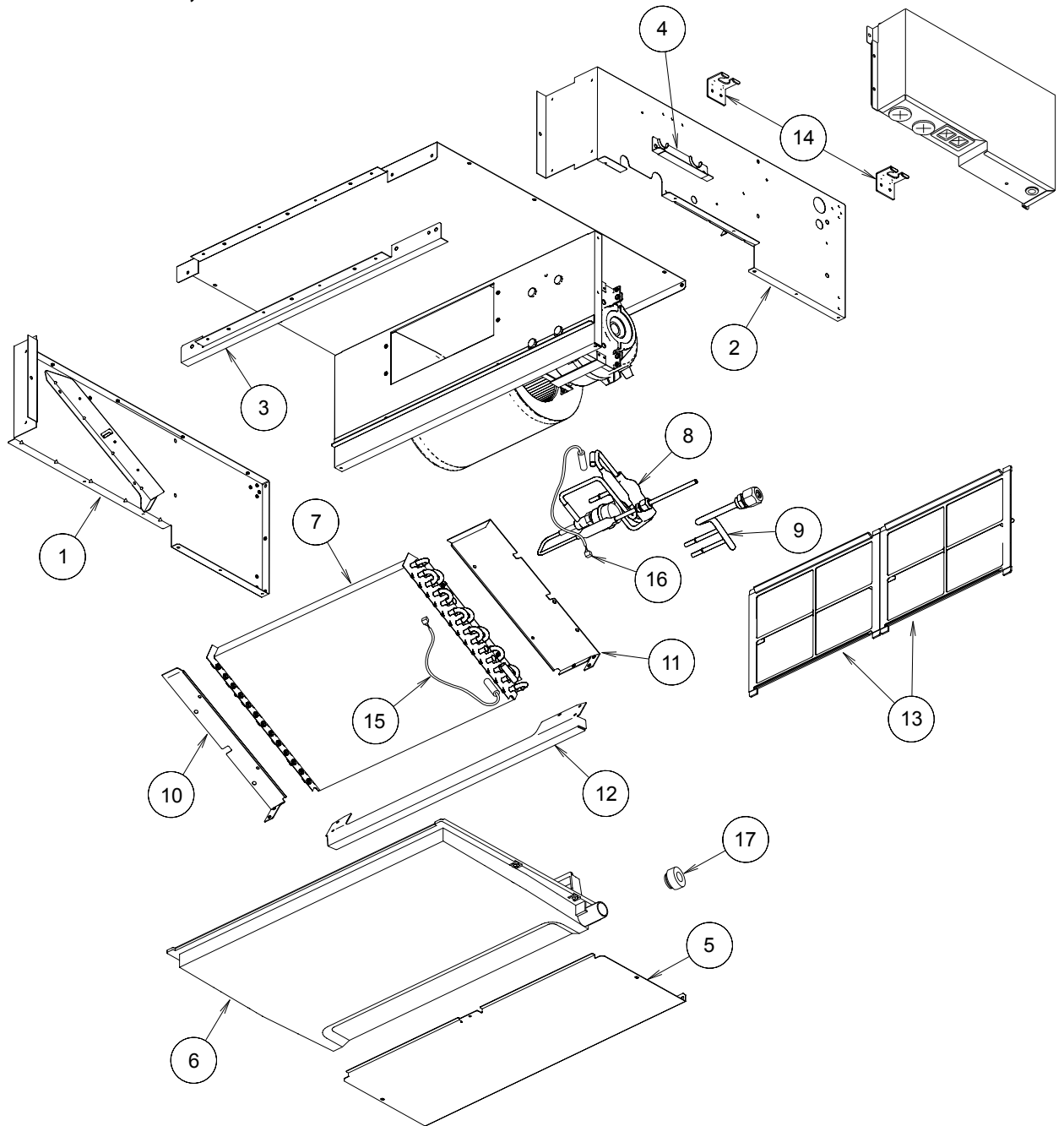
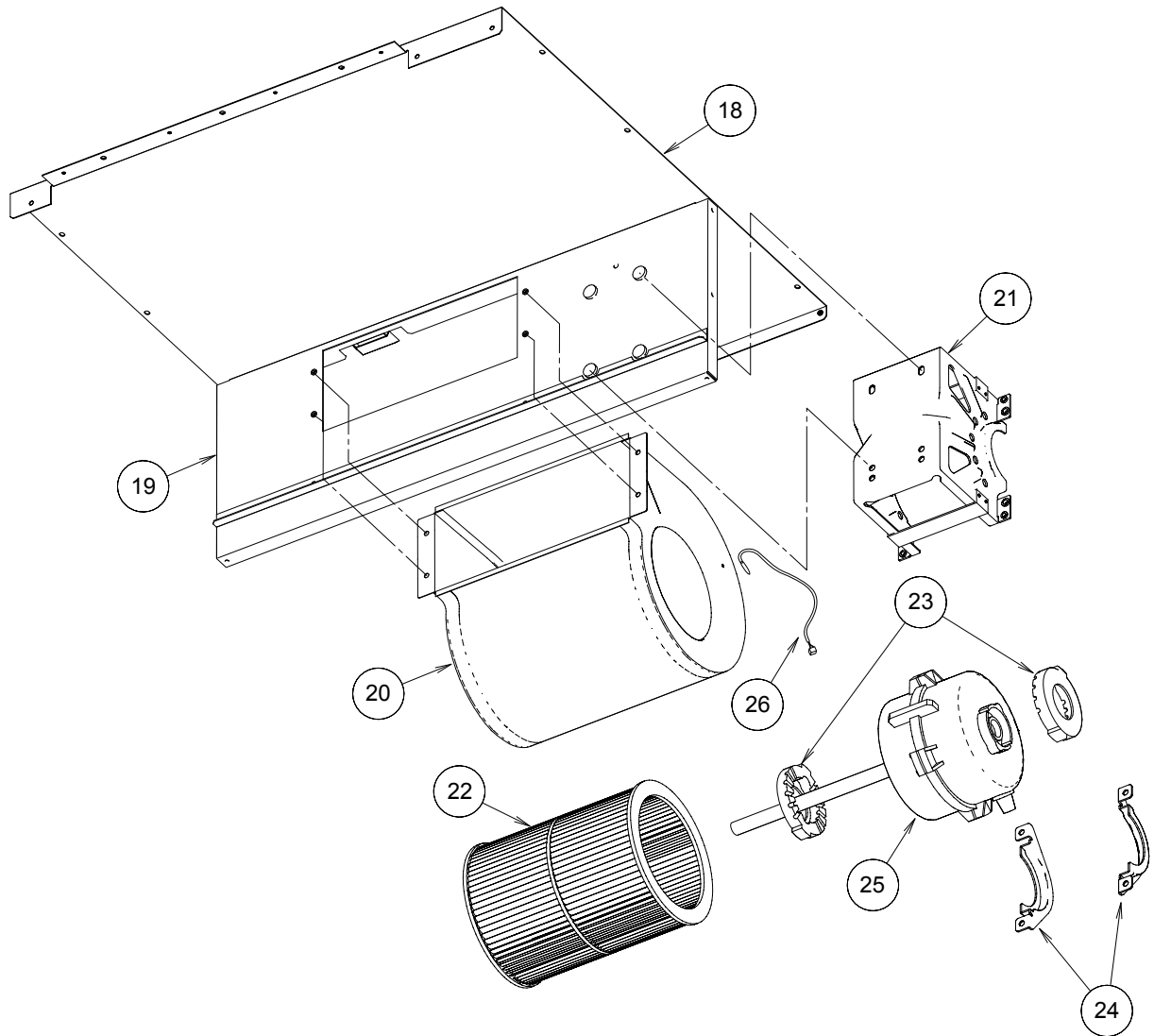


**MODELS : ARXB07, ARXB09**



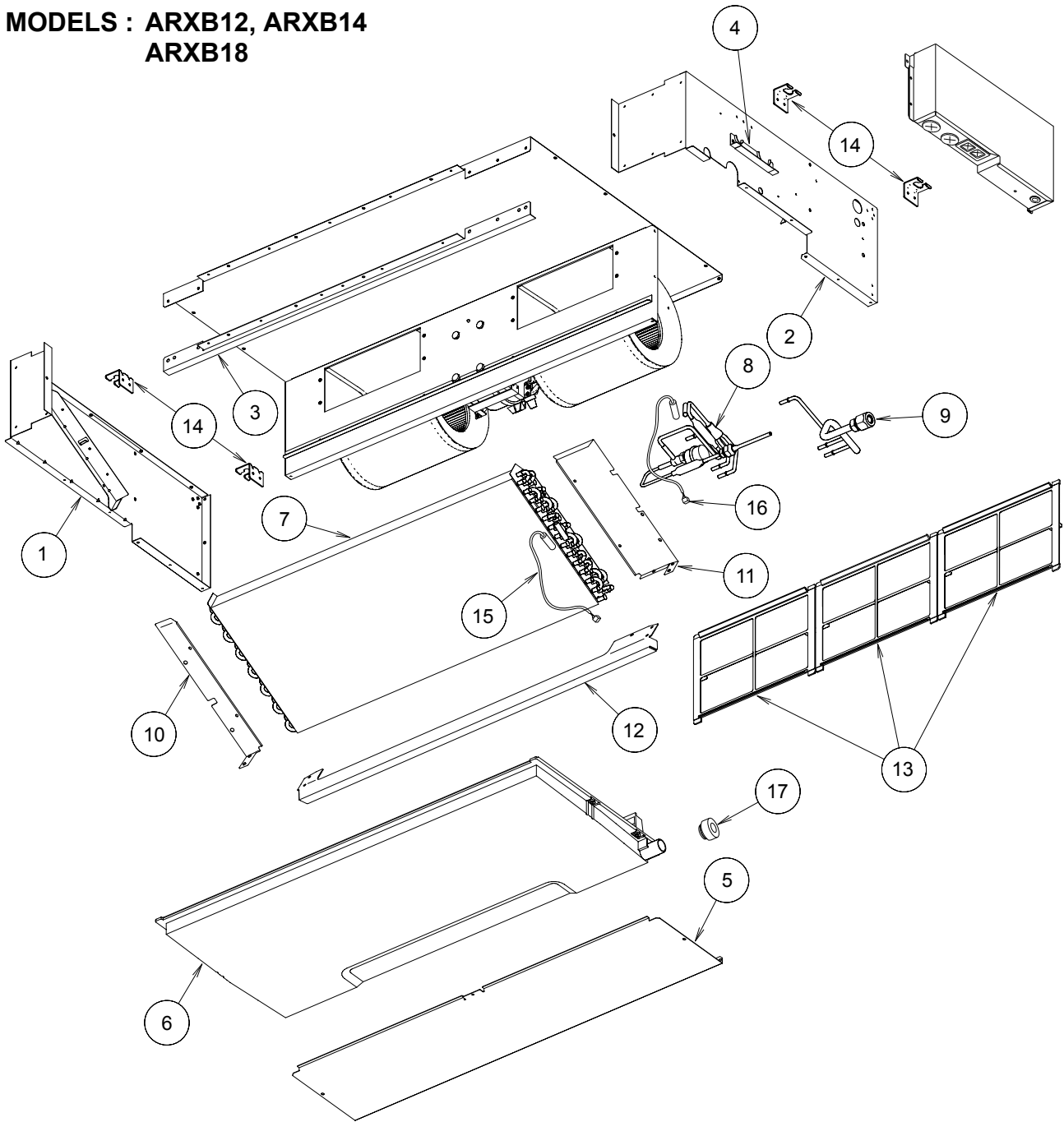
Ref No.	Description	Parts No.			Q'ty
		ARXB07	ARXB09	-	
1	SIDE PANEL RIGHT SUB ASSY	9364505015	9364505015	-	-
2	SIDE PANEL LEFT SUB ASSY	9364506012	9364506012	-	-
3	FRONT PANEL SUB ASSY	9364508016	9364508016	-	-
4	PIPING COVER SUB ASSY	9364501031	9364501031	-	-
5	CABINET COVER SUB ASSY	9364503011	9364503011	-	-
6	DRAIN PAN SUB ASSY	9364502052	9364502052	-	-
7	EVAPORATOR TOTAL ASSY	9364499352	9364499352	-	-
	EVAPORATOR ASSY	9373255031	9373255031	-	-
8	DISTRIBUTOR ASSY	9373034162	9373034162	-	-
9	COUPLING PIPE ASSY	9373038238	9373038238	-	-
10	BRACKET EVA RIGHT	9363199000	9363199000	-	-
11	BRACKET EVA LEFT	9363198003	9363198003	-	-
12	SUPPORT PLATE (EVA)	9363323009	9363323009	-	-
13	AIR FILTER	9366833017	9366833017	-	-
14	HOOK METAL	9363195002	9363195002	-	-
15	THERMISTOR (PIPE-MID)	9703297052	9703297052	-	-
16	THERMISTOR (PIPE-IN)	9900220037	9900220037	-	-
17	DRAIN CAP ASSY	9377878014	9377878014	-	-

**MODELS : ARXB07, ARXB09**



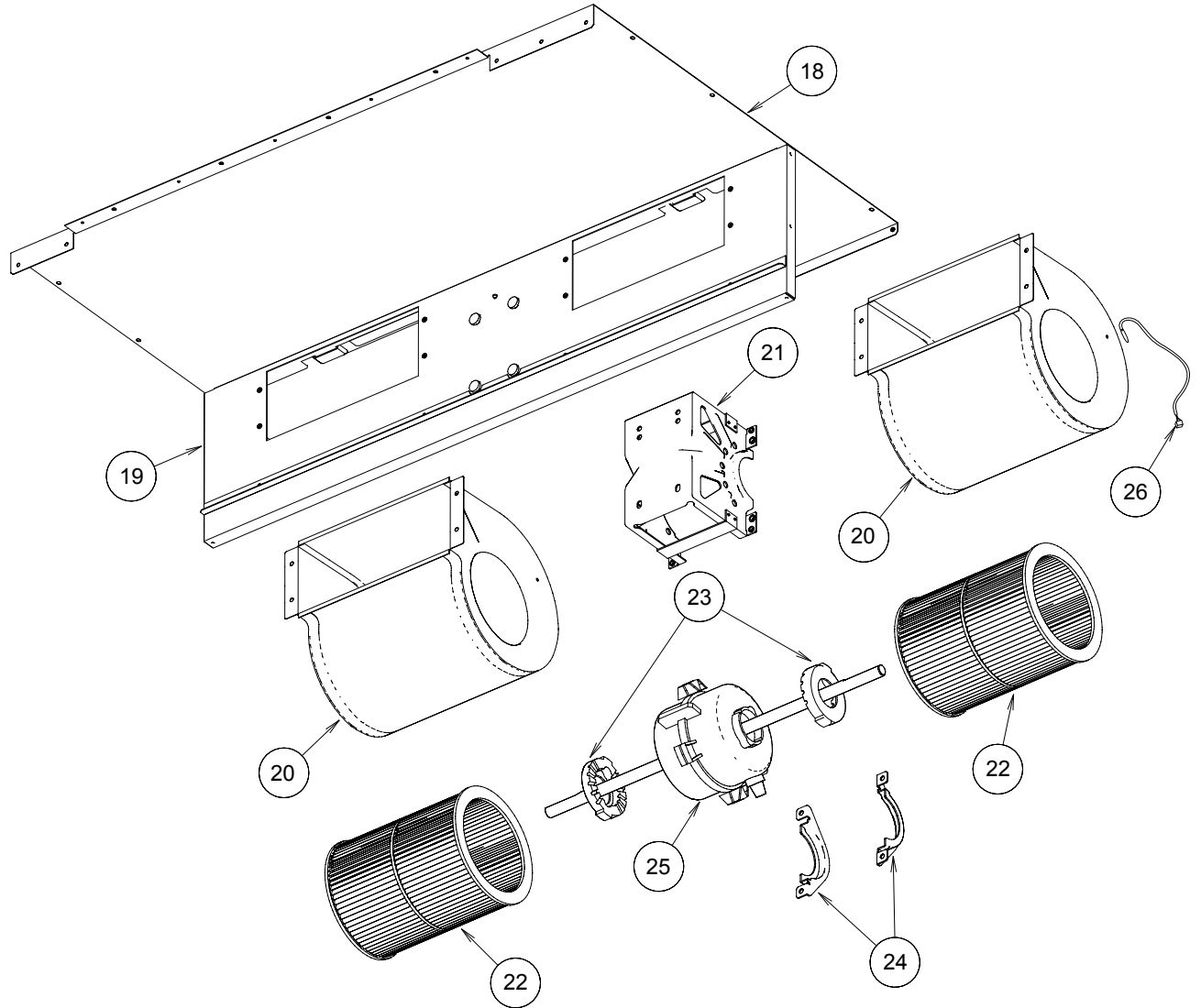
Ref No.	Description	Parts No.			Q'ty	
		ARXB07	ARXB09	-		
18	TOP PANEL SUB ASSY	9364507019	9364507019	-	-	-
19	PANEL ASSY (MOTOR)	9363193008	9363193008	-	-	-
20	CASING ASSY	9363322002	9363322002	-	-	-
21	BRACKET (MOTOR) ASSY	9358591000	9358591000	-	-	-
22	SIROCCO FAN ASSY	9385258006	9385258006	-	-	-
23	RUBBER (VIBRATION PROOF)	9385102002	9385102002	-	-	-
24	BRACKET (MOTOR)	9358594001	9358594001	-	-	-
25	MOTOR INDUCTION	9602463015	9602463015	-	-	-
26	THERMISTOR (ROOM)	9703299063	9703299063	-	-	-

**MODELS : ARXB12, ARXB14  
ARXB18**



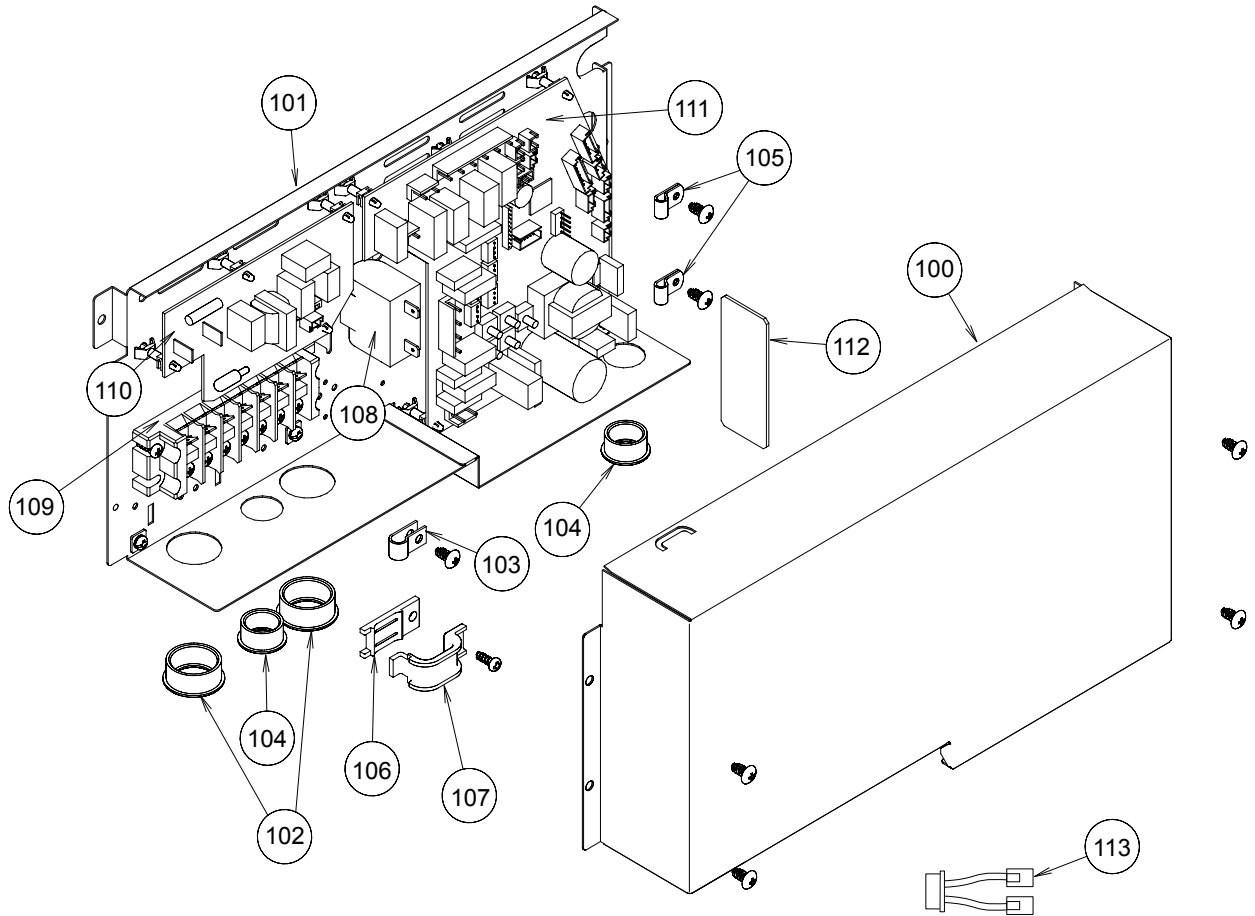
Ref No.	Description	Parts No.					Q'ty
		ARXB12	ARXB14	ARXB18	-	-	
1	SIDE PANEL RIGHT SUB ASSY	9364505022	9364505022	9364505022	-	-	
2	SIDE PANEL LEFT SUB ASSY	9364506029	9364506029	9364506029	-	-	
3	FRONT PANEL SUB ASSY	9364508023	9364508023	9364508023	-	-	
4	PIPING COVER SUB ASSY	9364501031	9364501031	9364501031	-	-	
5	CABINET COVER SUB ASSY	9364503028	9364503028	9364503028	-	-	
6	DRAIN PAN SUB ASSY	9364502069	9364502069	9364502069	-	-	
7	EVAPORATOR TOTAL ASSY	9364499369	9364499369	9364499376	-	-	
	EVAPORATOR ASSY	9373255017	9373255017	9373255017	-	-	
8	DISTRIBUTOR ASSY	9373034179	9373034179	9373034186	-	-	
9	COUPLING PIPE ASSY	9373038085	9373038085	9373038047	-	-	
10	BRACKET EVA RIGHT	9363199000	9363199000	9363199000	-	-	
11	BRACKET EVA LEFT	9363198003	9363198003	9363198003	-	-	
12	SUPPORT PLATE (EVA)	9363404005	9363404005	9363404005	-	-	
13	AIR FILTER	9366833017	9366833017	9366833017	-	-	
14	HOOK METAL	9363195002	9363195002	9363195002	-	-	
15	THERMISTOR (PIPE-MID)	9703297052	9703297052	9703297052	-	-	
16	THERMISTOR (PIPE-IN)	9900220037	9900220037	9900220037	-	-	
17	DRAIN CAP ASSY	9377878014	9377878014	9377878014	-	-	

**MODELS : ARXB12, ARXB14  
ARXB18**












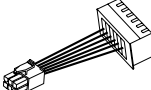

Ref No.	Description	Parts No.					Q'ty
		ARXB12	ARXB14	ARXB18	-	-	
18	TOP PANEL SUB ASSY	9364507026	9364507026	9364507026	-	-	
19	PANEL ASSY (MOTOR)	9363401004	9363401004	9363401004	-	-	
20	CASING ASSY	9363322002	9363322002	9363322002	-	-	
21	BRACKET (MOTOR) ASSY	9358591000	9358591000	9358591000	-	-	
22	SIROCCO FAN ASSY	9385258006	9385258006	9385258006	-	-	
23	RUBBER (VIBRATION PROOF)	9385102002	9385102002	9385102002	-	-	
24	BRACKET (MOTOR)	9358594001	9358594001	9358594001	-	-	
25	MOTOR INDUCTION	9602464012	9602464012	9602465019	-	-	
26	THERMISTOR (ROOM)	9703299018	9703299018	9703299018	-	-	

**MODELS : ARXB07, ARXB09, ARXB12  
ARXB14, ARXB18**



Ref No.	Description	Parts No.					Q'ty
		ARXB07	ARXB09	ARXB12	ARXB14	ARXB18	
100	CONTROL BOX COVER	9363201000	9363201000	9363201000	9363201000	9363201000	
101	CONTROL BOX	9375240028	9375240028	9375240028	9375240028	9375240028	
102	ONE-TOUCH BUSH	9374407019	9374407019	9374407019	9374407019	9374407019	
103	CLAMP NK-4N	313714328805	313714328805	313714328805	313714328805	313714328805	
104	ONE-TOUCH BUSH	9364788005	9364788005	9364788005	9364788005	9364788005	
105	CLAMP NK-3N	313361274700	313361274700	313361274700	313361274700	313361274700	
106	CLAMP (CORD)	9356857009	9356857009	9356857009	9356857009	9356857009	
107	CLAMP (CORD) B	9356858006	9356858006	9356858006	9356858006	9356858006	
108	CAPACITOR (FAN MOTOR)	9900411015	9900089023	9900411022	9900089139	9900089160	
109	TERMINAL 7P	9703403040	9703403040	9703403040	9703403040	9703403040	
110	FILTER PCB	9704799043	9704799043	9704799043	9704799043	9704799043	
111	CONTROLLER PCB	9707514063	9707514063	9707514063	9707514063	9707514063	
112	COMMUNICATION PCB	9704424044	9704424044	9704424044	9704424044	9704424044	
113	THERMISTOR CONNECTION WIRE	9705465015	9705465015	9705465015	9705465015	9705465015	
	- FUSE 250V 3.15A (FILTER PCB F101)	0600222512	0600222512	0600222512	0600222512	0600222512	
	- FUSE HOLDER	0500158072	0500158072	0500158072	0500158072	0500158072	

**MODELS : ARXB07, ARXB09, ARXB12, ARXB14, ARXB18**

Name and Shape	Q'ty	Application	Parts No.		
			ARXB07 ARXB09	ARXB12 ARXB14	ARXB18
Manual (Operation) 	1		9374343027	9374343027	9374343027
Manual (Installation) 	1		9374342020	9374342020	9374342020
Coupler heat Insulation (Large) 	1	For indoor unit installation	9350716029	9350716029	9350716029
Coupler heat Insulation (Small) 	1	For indoor unit installation	9352766015	9352766015	9352766015
Adapter D 	1	Use as needed ø12.7-ø9.52 (AR07 /09)	9370244007	-	-
Adapter B 	1	Use as needed ø9.52-ø6.35 (AR18)	-	-	9370242003
Special nut A (Large flange) 	4	For indoor unit installation	313005446653	313005446653	313005446653
Special nut B (Small flange) 	4	For indoor unit installation	313005446759	313005446759	313005446759
Drain pipe insulation 	1	Insulation the drain hose and vinyl hose connection	313806217708	313806217708	313806217708
Wire 	1	Use for static pressure more than 25 Pa	9707503012	9707503012	9707503012
Insulation (outlet) 	2	For outlet flange H16 × W410 mm	9374341030	-	-
	2	For outlet flange H16 × W610 mm	-	9374341047	9374341047
	2	For outlet flange H16 × W150 mm	9374340026	9374340026	9374340026