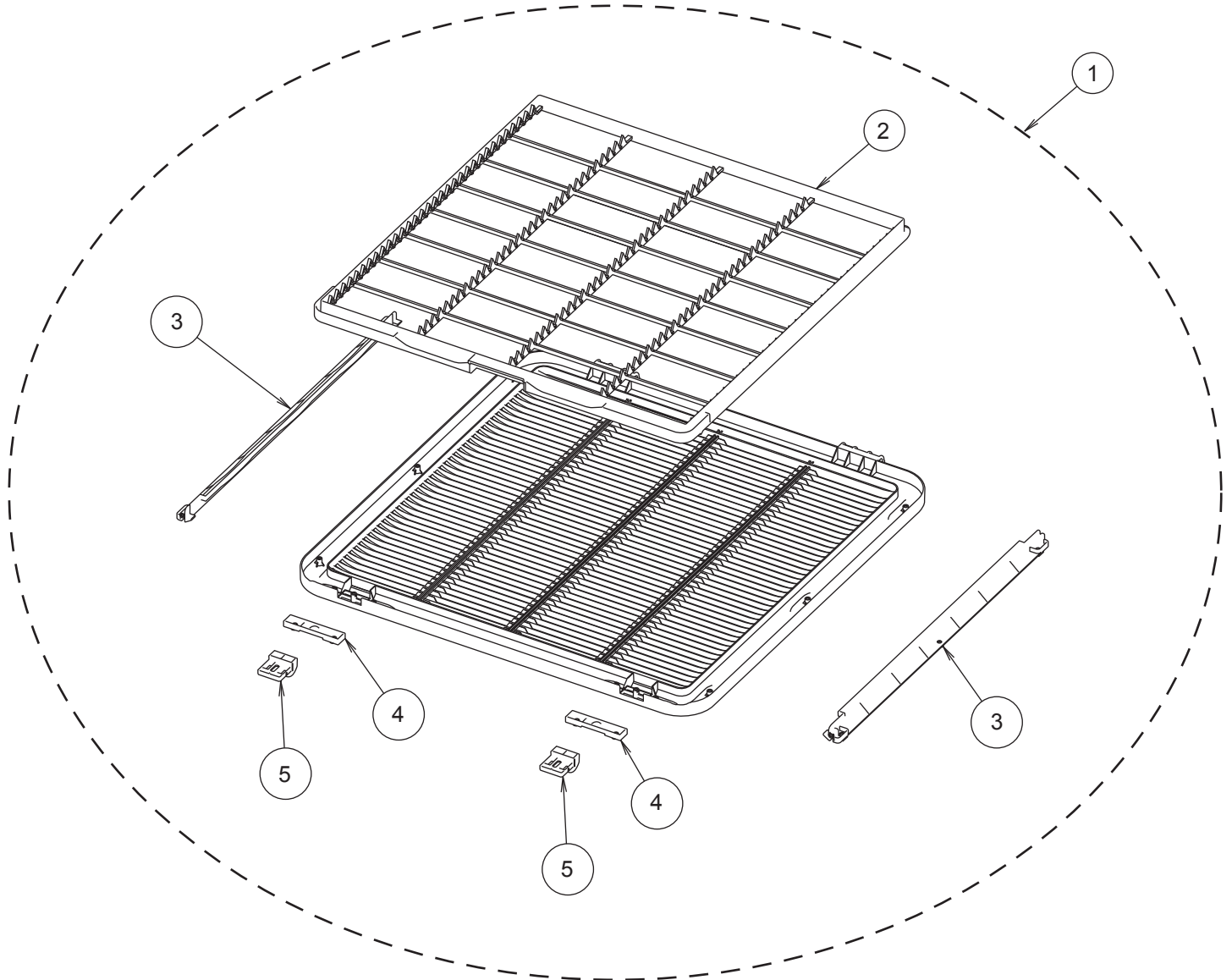
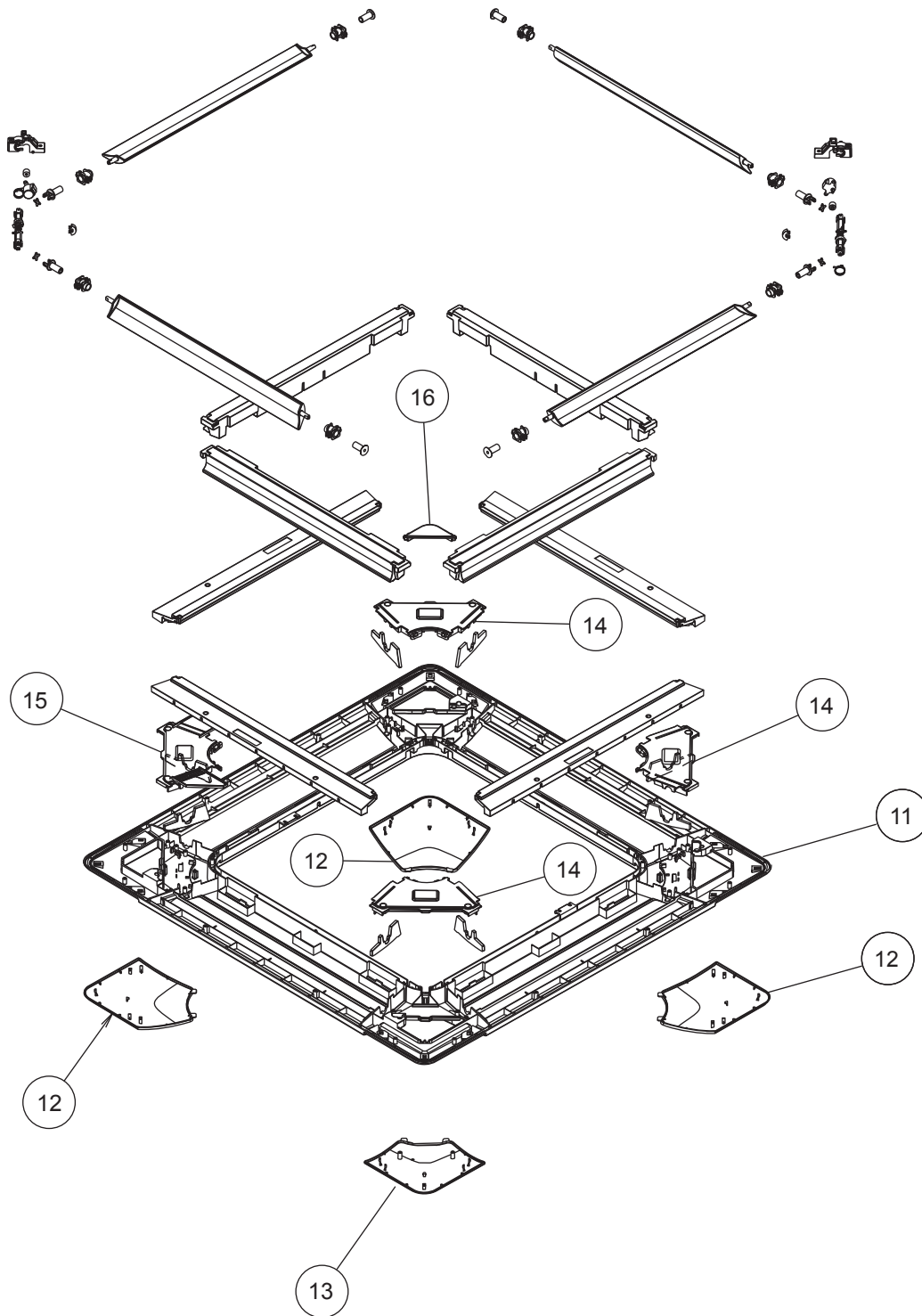


MODEL : UTG-UG* A-W
(DECORATION PANEL for AUXA30-54GALH)



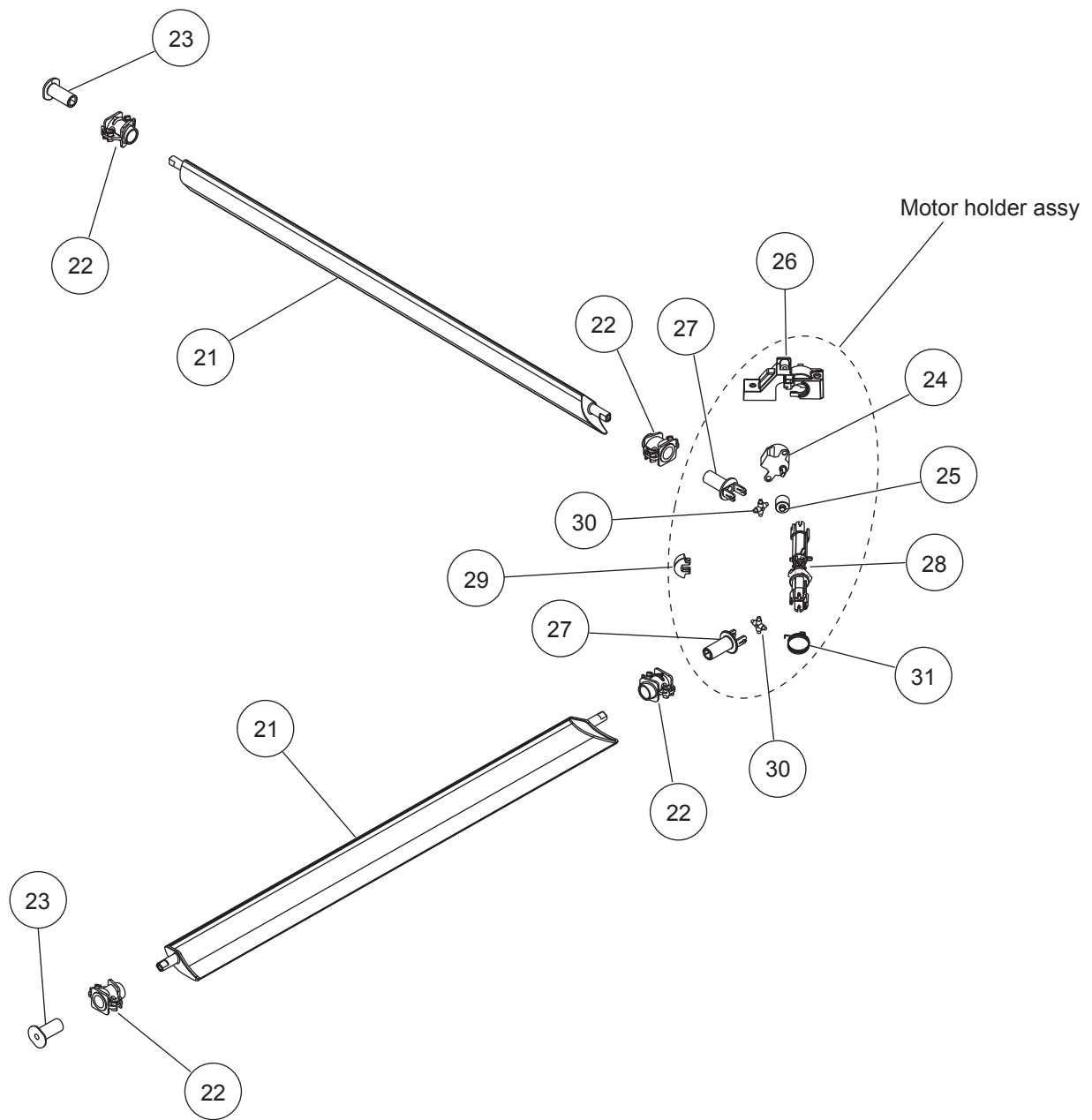
Ref No.	Description	Parts No.	Q'ty
		UTG-UG* A-W	
1	Intake Grille Assy	9378565012	
2	Long Life Filter	9378252011	
3	Filter Guide	9378253018	
4	Hook Bracket	9378435018	
5	Grille Hook	9378250017	

MODEL : UTG-UG* A-W
(DECORATION PANEL for AUXA30-54GALH)



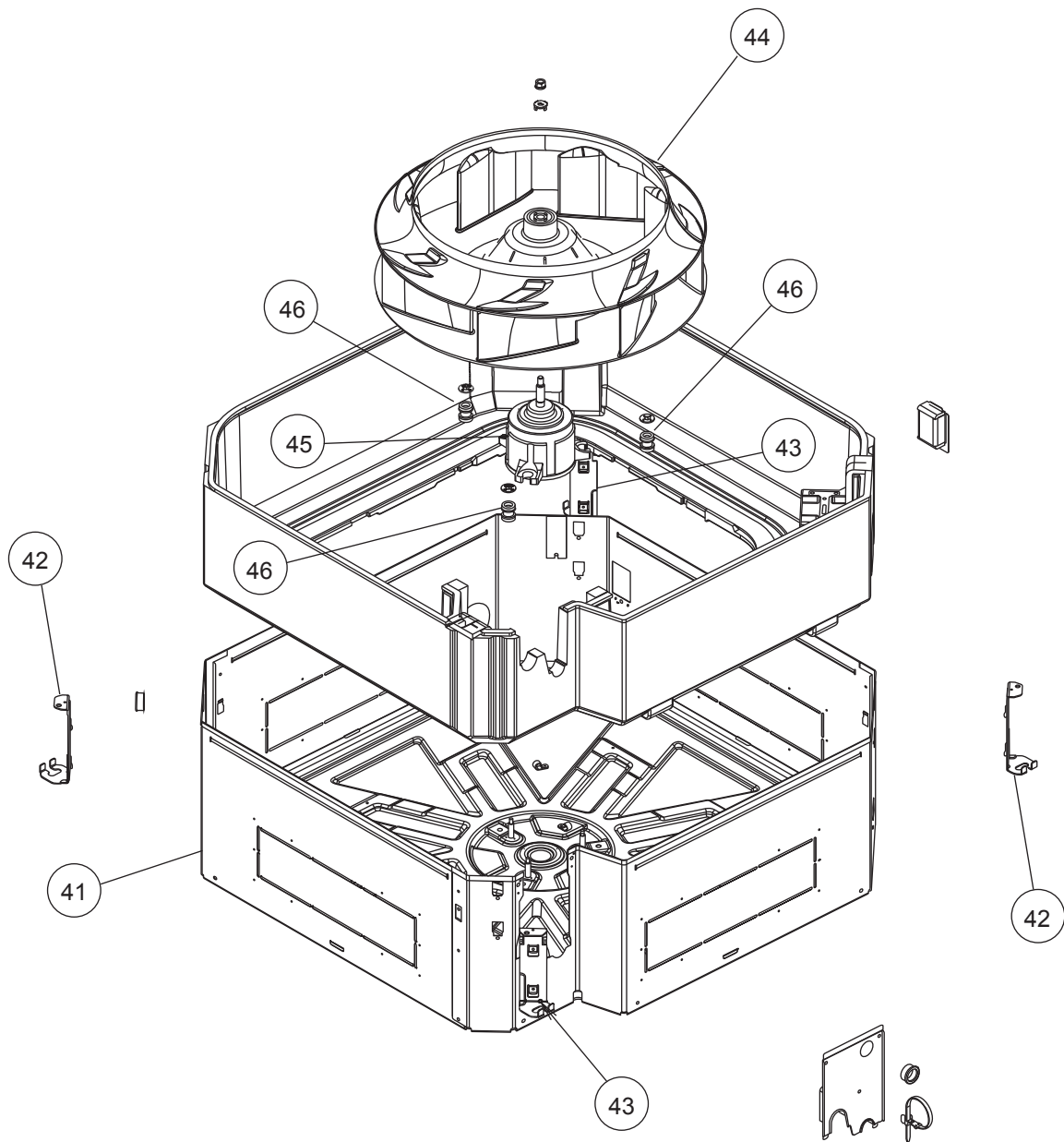
Ref No.	Description	Parts No.	Q'ty
		UTG-UG* A-W	
11	Decoration Panel	9378242012	
12	Corner Panel A	9378243019	
13	Corner Panel A (FUJITSU)	9378243026	
	Corner Panel A (GENERAL)	9378243033	
14	Panel Cover A	9378261013	
15	Panel Cover B	9378262010	
16	Drain Cover	9378359017	

MODEL : UTG-UG* A-W
(DECORATION PANEL for AUXA30-54GALH)



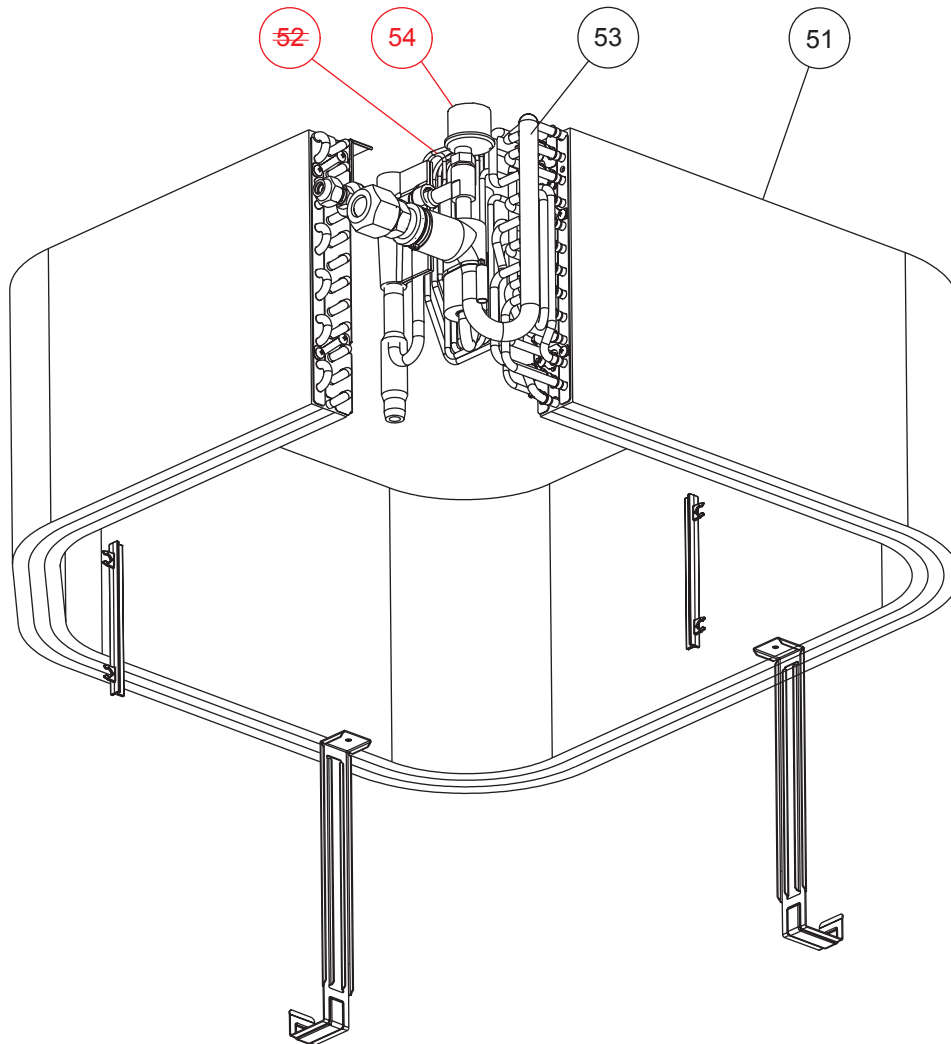
Ref No.	Description	Parts No.	Q'ty
		UTG-UG* A-W	
21	Flap	9378254015	
22	Poli Slider	9375541019	
23	Joint C	9378357013	
24	Step motor	9900467005	
25	Gear A	9378256019	
26	Motor Holder	9378255012	
27	Joint A	9378258013	
28	Joint B	9378259010	
29	Gear B	9378257016	
30	Joint Shaft	9378260016	
31	Flap Spring	9378356016	
	Wire (Step Motor)	9707869019	
	Wire (Step Motor)	9707869026	

MODELS : AUXA30/ 34/ 36/ 45/ 54GALH



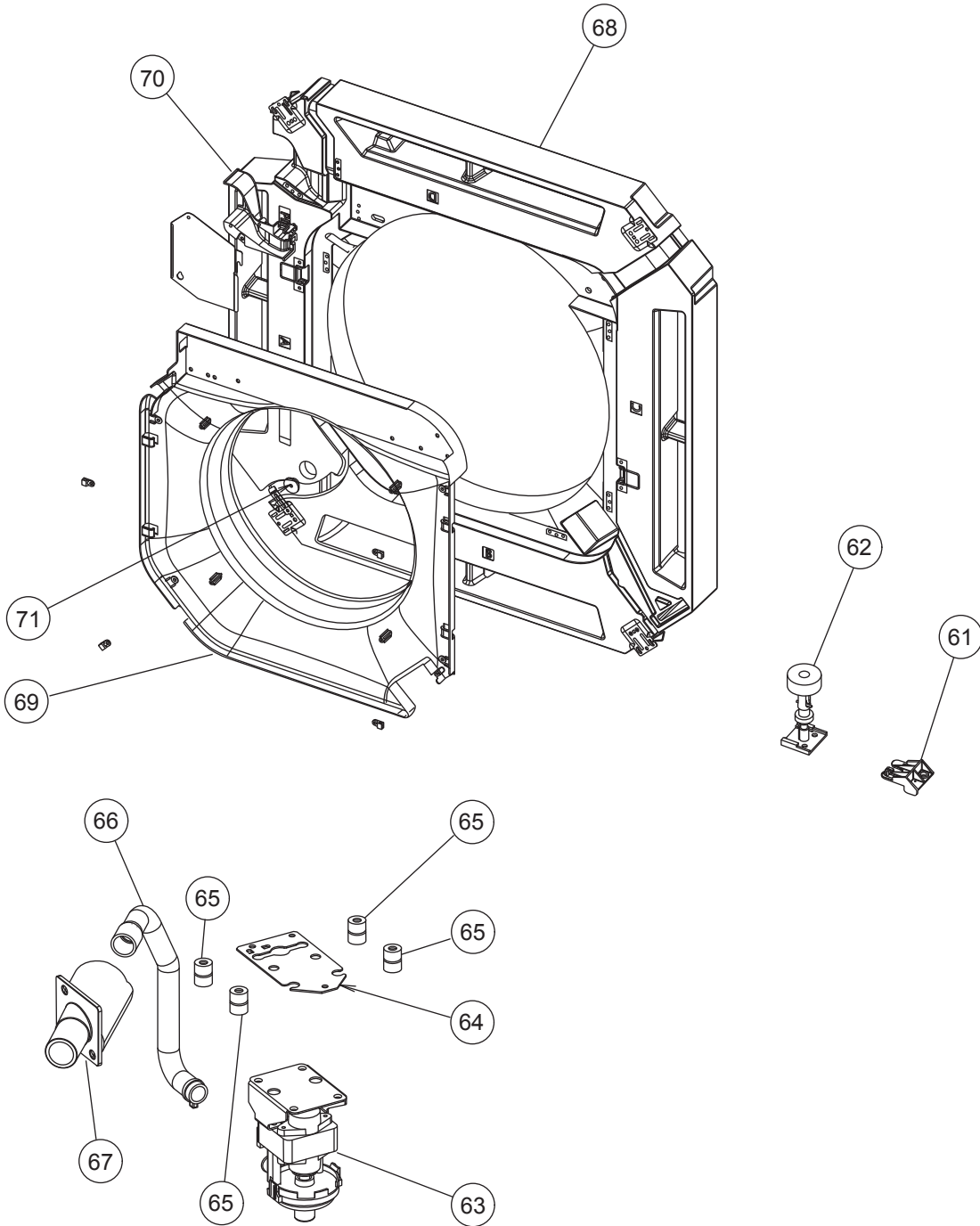
Ref No.	Description	Parts No.					Q'ty
		AUXA30GALH	AUXA34GALH	AUXA36GALH	AUXA45GALH	AUXA54GALH	
41	Cabinet C	9378196018	9378196018	9378196018	9378196018	9378196018	
42	Hook R	9378197015	9378197015	9378197015	9378197015	9378197015	
43	Hook L	9378198012	9378198012	9378198012	9378198012	9378198012	
44	Turbo Fan Assy	9378228016	9378228016	9378228016	9378228016	9378228016	
45	Motor, DC Brushless	9602716005	9602716005	9602716005	9602716005	9602716005	
46	Rubber (Motor)	9378223011	9378223011	9378223011	9378223011	9378223011	

MODELS : AUXA30/ 34/ 36/ 45/ 54GALH



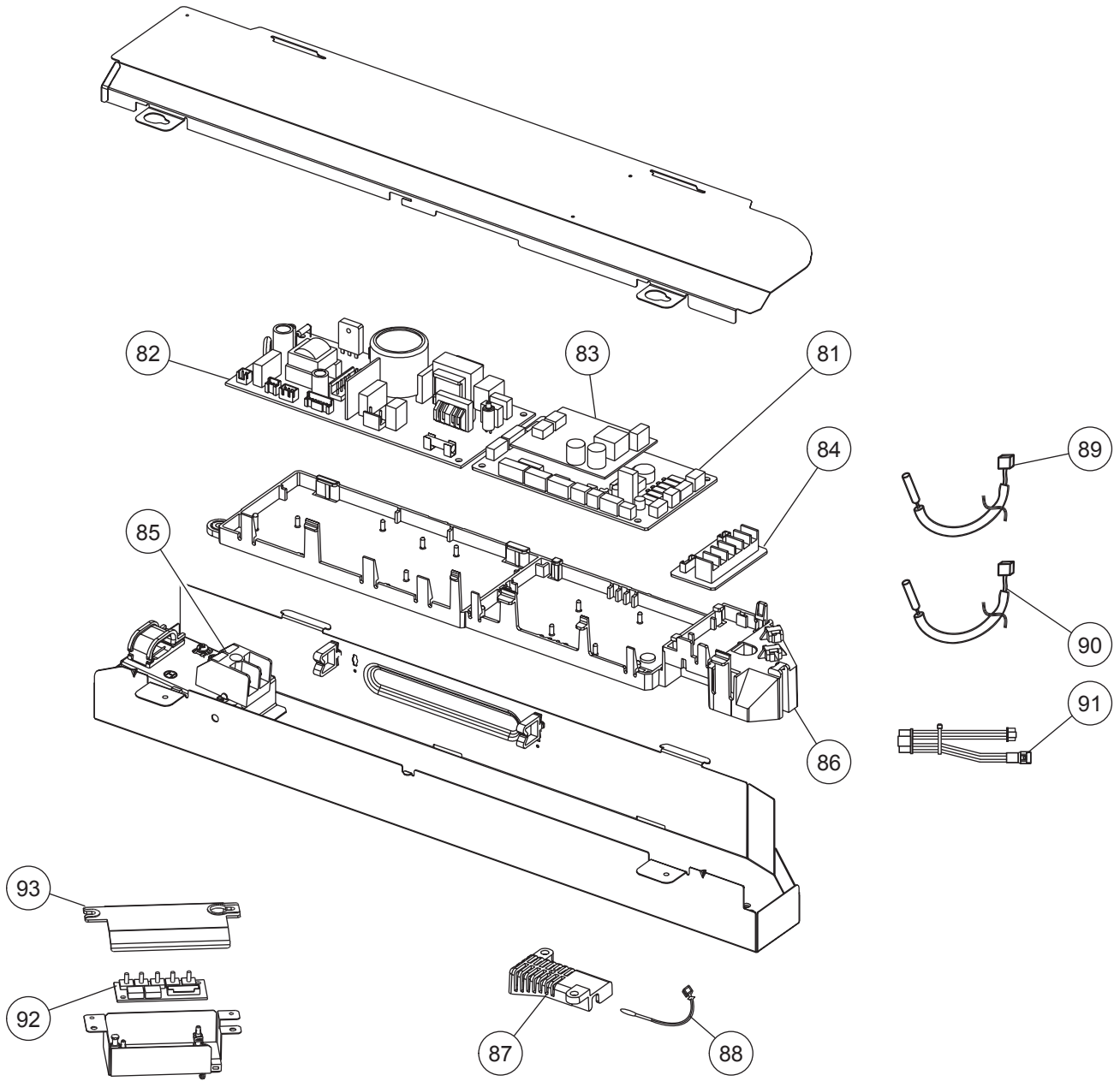
Ref No.	Description	Parts No.					Q'ty
		AUXA30GALH	AUXA34GALH	AUXA36GALH	AUXA45GALH	AUXA54GALH	
51	EVAPORATOR TOTAL ASSY	9378580022	9378580060	9378580039	9378580039	9378580039	
52	DISTRIBUTOR ASSY	9371325453	9371325460	9371325460	9371325460	9371325460	
53	COUPLING PIPE ASSY	9373038535	9373038542	9373038542	9373038542	9373038542	
54	EEV (SERVICE)	9381200030	9381200023	9381200023	9381200023	9381200023	

MODELS : AUXA30/ 34/ 36/ 45/ 54GALH



Ref No.	Description	Parts No.					Q'ty
		AUXA30GALH	AUXA34GALH	AUXA36GALH	AUXA45GALH	AUXA54GALH	
61	Sensor Holder	9378329010	9378329010	9378329010	9378329010	9378329010	
62	Float Switch	9900465018	9900465018	9900465018	9900465018	9900465018	
63	Pump Assy	9900464011	9900464011	9900464011	9900464011	9900464011	
64	Drain Pump Holder B	9375518011	9375518011	9375518011	9375518011	9375518011	
65	Rubber (Pump)	9378426016	9378426016	9378426016	9378426016	9378426016	
66	Drain Hose	9378212015	9378212015	9378212015	9378212015	9378212015	
67	Drain Port	9378213012	9378213012	9378213012	9378213012	9378213012	
68	Drain Pan Sub Assy	9378583023	9378583023	9378583023	9378583023	9378583023	
69	Bell Mouth	9378227019	9378227019	9378227019	9378227019	9378227019	
70	Terminal Wire Cover	9378548015	9378548015	9378548015	9378548015	9378548015	
71	Drain Cap	9375502010	9375502010	9375502010	9375502010	9375502010	
	Drain Hose	9379665001	9379665001	9379665001	9379665001	9379665001	
	Drain Pan Hook	9378331013	9378331013	9378331013	9378331013	9378331013	

MODELS : AUXA30/ 34/ 36/ 45/ 54GALH



Ref No.	Description	Parts No.					Q'ty
		AUXA30GALH	AUXA34GALH	AUXA36GALH	AUXA45GALH	AUXA54GALH	
81	CONTROLLER PCB	9708970028	9708970295	9708970028	9708970028	9708970028	
82	POWER SUPPLY PCB	9708975016	9708975016	9708975016	9708975016	9708975016	
83	COMMUNICATION PCB	9709373019	9709373019	9709373019	9709373019	9709373019	
84	TERMINAL PCB	9707736014	9707736014	9707736014	9707736014	9707736014	
85	TERMINAL 2P	9703873027	9703873027	9703873027	9703873027	9703873027	
86	PWB HOLDER	9380762003	9380762003	9380762003	9380762003	9380762003	
87	HOLDER(ROOM THERMISTOR)	9379207003	9379207003	9379207003	9379207003	9379207003	
88	THERMISTOR(ROOM)	9900828004	9900828004	9900828004	9900828004	9900828004	
89	PIPE THERMISTOR (INLET)	9900509040	9900509040	9900509040	9900509040	9900509040	
90	THERMISTOR(PIPE) (EXIT)	9900825010	9900825010	9900825010	9900825010	9900825010	
91	THERMISTOR CONNECTION WIRE	9707854015	9707854015	9707854015	9707854015	9707854015	
92	SWITCH PCB	9707732016	9707732016	9707732016	9707732016	9707732016	
93	SWITCH BOX COVER	9378344013	9378344013	9378344013	9378344013	9378344013	