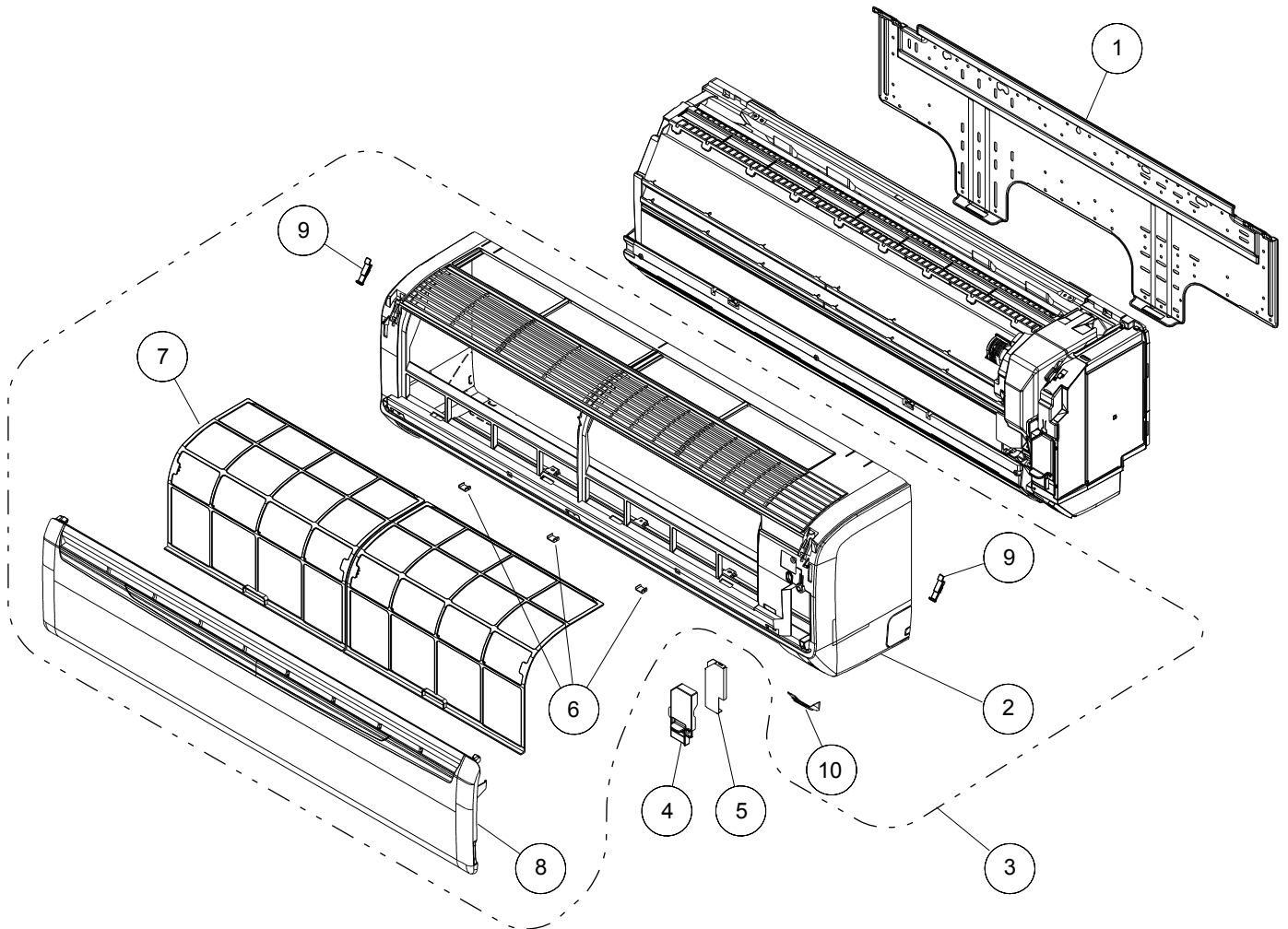
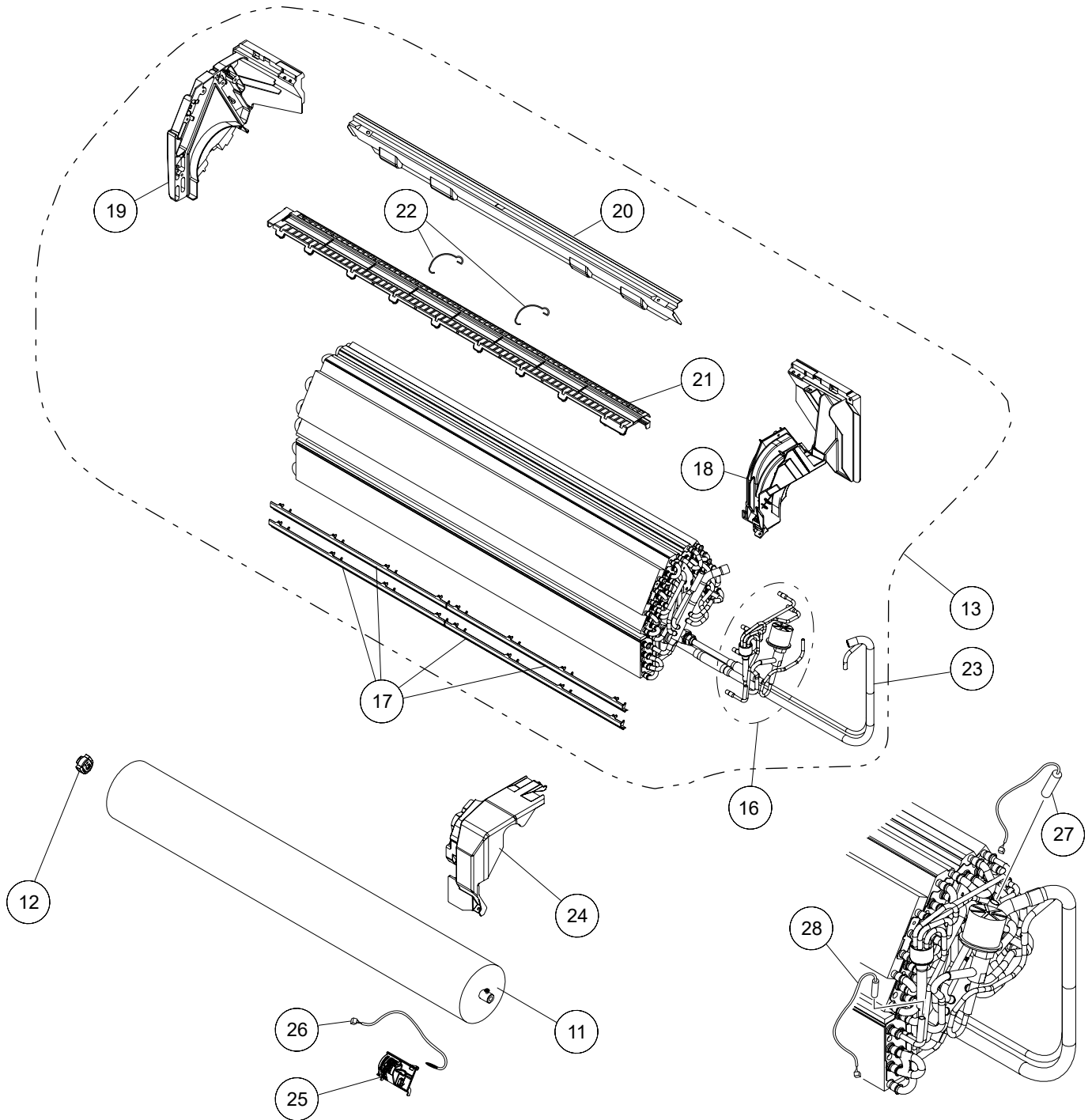


MODELS : AS*A18/ 24/ 30GACH



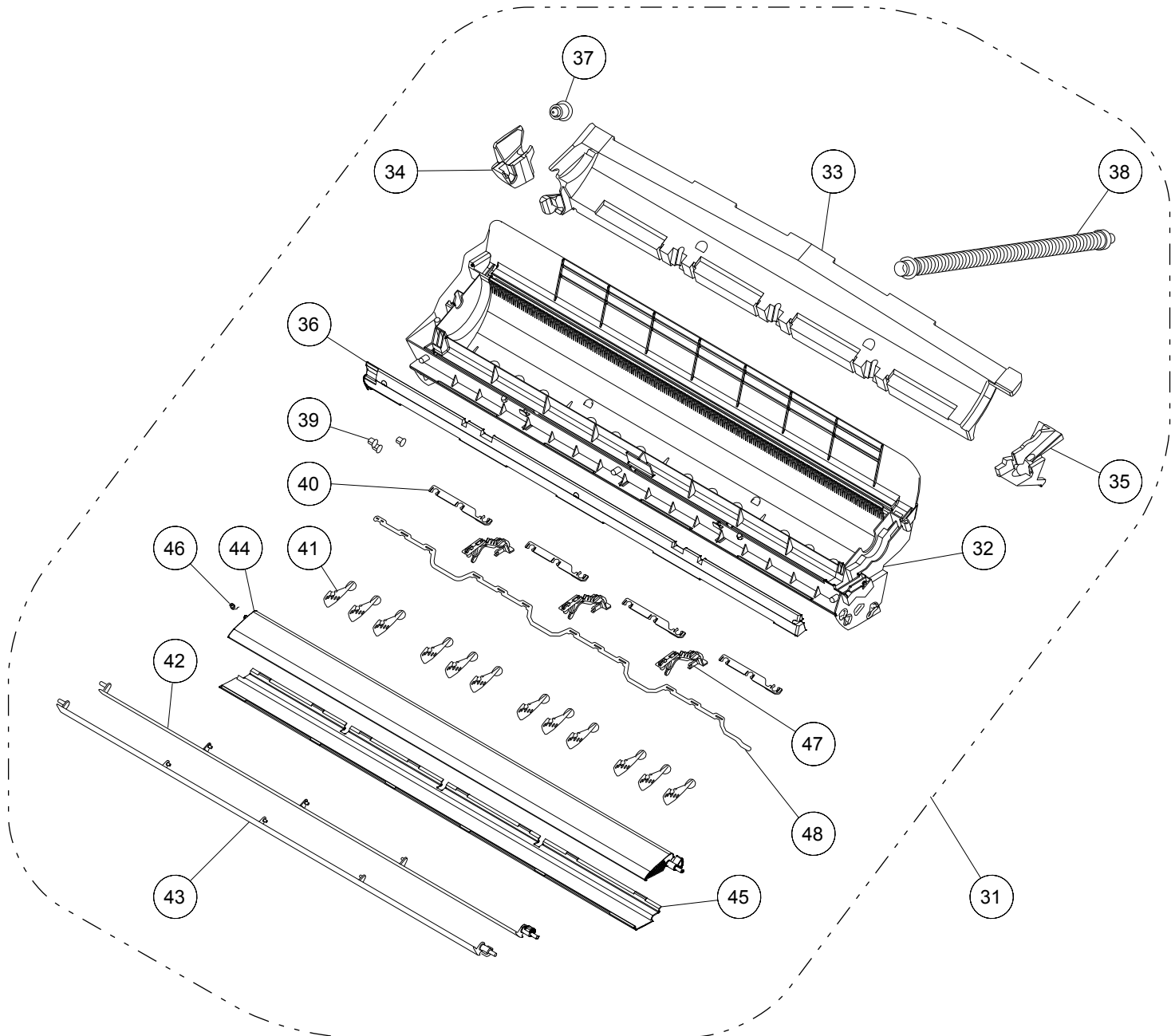
| Ref No. | Description | Parts No. | | | Q'ty |
|---------|----------------------------------|-------------|-------------|-------------|------|
| | | AS* A18GACH | AS* A24GACH | AS* A30GACH | |
| 1 | BRACKET PANEL | 9315023018 | 9315023018 | 9315023018 | |
| 2 | FRONT PANEL | 9314991073 | 9314991073 | 9314991073 | |
| 3 | FRONT PANEL TOTAL ASSY (FUJITSU) | 9315335234 | 9315335234 | 9315335234 | |
| | FRONT PANEL TOTAL ASSY (GENERAL) | 9315335265 | 9315335265 | 9315335265 | |
| 4 | WIRE COVER | 9380786009 | 9380786009 | 9380786009 | |
| 5 | SHIELD D | 9380787006 | 9380787006 | 9380787006 | |
| 6 | CAP(SCREW) | 9309002074 | 9309002074 | 9309002074 | |
| 7 | AIR FILTER | 9315014023 | 9315014023 | 9315014023 | |
| 8 | INTAKE GRILLE ASSY (FUJITSU) | 9315336019 | 9315336019 | 9315336019 | |
| | INTAKE GRILLE ASSY (GENERAL) | 9315336033 | 9315336033 | 9315336033 | |
| 9 | CLAMPER GRILLE | 9306755010 | 9306755010 | 9306755010 | |
| 10 | RECEIVER WINDOW | 9315010018 | 9315010018 | 9315010018 | |
| | AIR CLEAN FILTER ASSY | 9315212016 | 9315212016 | 9315212016 | |

MODELS : AS*A18/ 24/ 30GACH



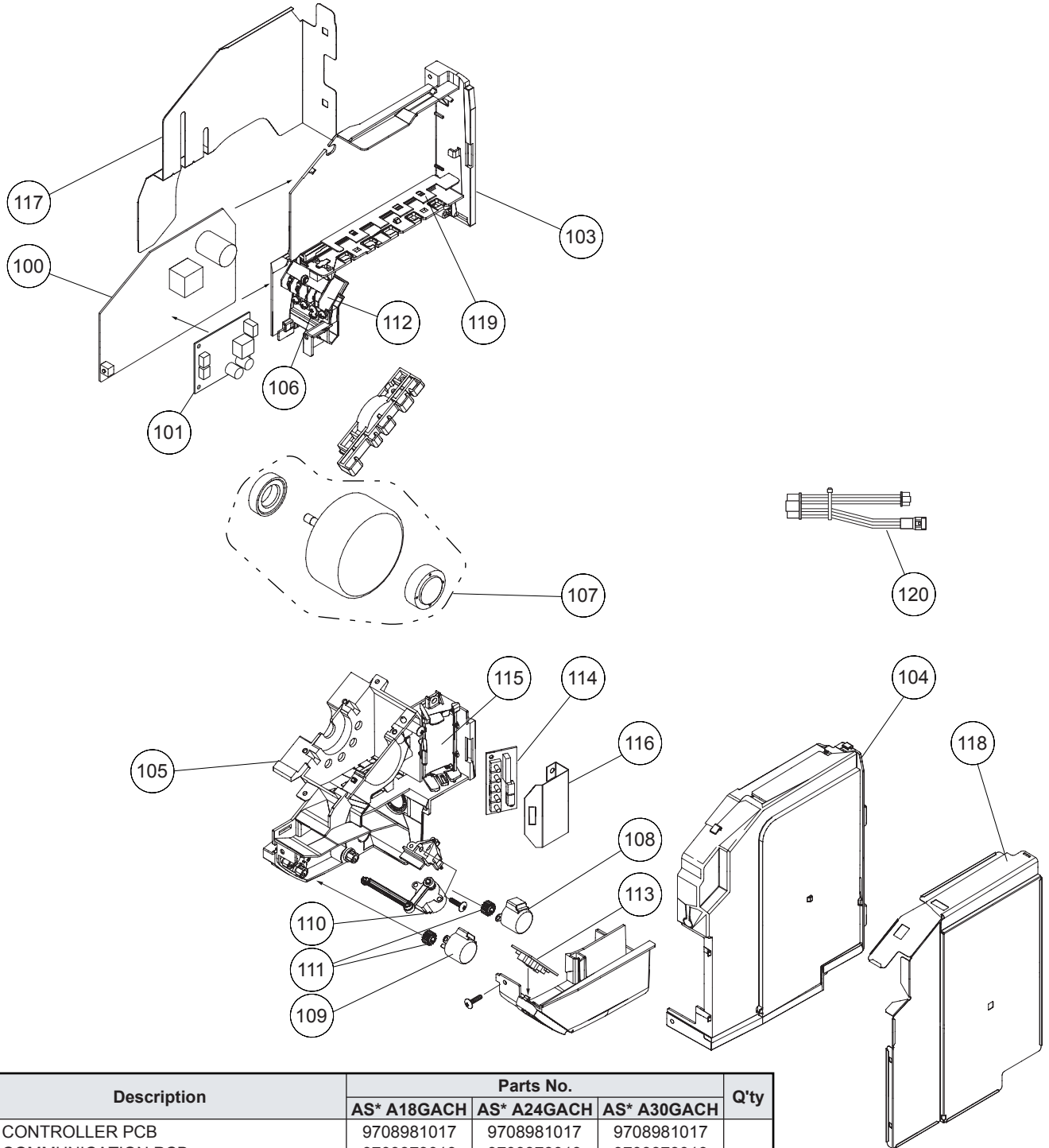
| Ref No. | Description | Parts No. | | | Q'ty |
|---------|--------------------------|-------------|-------------|-------------|------|
| | | AS* A18GACH | AS* A24GACH | AS* A30GACH | |
| 11 | CROSSFLOW FAN ASSY | 9315024015 | 9315024015 | 9315024015 | |
| 12 | BEARING C ASSY | 9306628017 | 9306628017 | 9306628017 | |
| 13 | EVAPORATOR TOTAL ASSY | 9315338587 | 9315338587 | 9315338587 | |
| 16 | EXPANSION VALVE SUB ASSY | 9318601008 | 9318601008 | 9318601008 | |
| 17 | WATER SEAL | 9315251015 | 9315251015 | 9315251015 | |
| 18 | EVAPORATOR HOLDER R | 9379829007 | 9379829007 | 9379829007 | |
| 19 | EVAPORATOR HOLDER L | 9324140003 | 9324140003 | 9324140003 | |
| 20 | REAR BRACKET | 9315022011 | 9315022011 | 9315022011 | |
| 21 | FILTER GUIDE | 9315013040 | 9315013040 | 9315013040 | |
| 22 | FILTER GUARD | 9315411013 | 9315411013 | 9315411013 | |
| 23 | CONNECTION PIPE ASSY | 9315355027 | 9315355027 | 9315355027 | |
| 24 | PIPE COVER | 9379840019 | 9379840019 | 9379840019 | |
| 25 | HOLDER(ROOM THERMISTOR) | 9379930000 | 9379930000 | 9379930000 | |
| 26 | THERMISTOR (ROOM) | 9900585006 | 9900585006 | 9900585006 | |
| 27 | THERMISTOR (PIPE-OUT) | 9900498092 | 9900498092 | 9900498092 | |
| 28 | THERMISTOR (PIPE-IN) | 9900509071 | 9900509071 | 9900509071 | |

MODELS : AS*A18/ 24/ 30GACH



| Ref No. | Description | Parts No. | | | Q'ty |
|---------|------------------------|-------------|-------------|-------------|------|
| | | AS* A18GACH | AS* A24GACH | AS* A30GACH | |
| 31 | CASING ASSY | 9315331076 | 9315331076 | 9315331076 | |
| 32 | CASING | 9314993015 | 9314993015 | 9314993015 | |
| 33 | CASING COVER B | 9315016010 | 9315016010 | 9315016010 | |
| 34 | CASING COVER L | 9315017017 | 9315017017 | 9315017017 | |
| 35 | CASING COVER R | 9315018014 | 9315018014 | 9315018014 | |
| 36 | CASING COVER F | 9315019011 | 9315019011 | 9315019011 | |
| 37 | DRAIN CAP | 9367677009 | 9367677009 | 9367677009 | |
| 38 | DRAIN HOSE ASSY | 9315769015 | 9315769015 | 9315769015 | |
| 39 | BUSH B | 9312156016 | 9312156016 | 9312156016 | |
| 40 | SPACER D | 9315282019 | 9315282019 | 9315282019 | |
| 41 | R AND L LOUVER | 9311997016 | 9311997016 | 9311997016 | |
| 42 | LOUVER U | 9315000026 | 9315000026 | 9315000026 | |
| 43 | LOUVER Z | 9315001023 | 9315001023 | 9315001023 | |
| 44 | DIFFUSER U | 9315002020 | 9315002020 | 9315002020 | |
| 45 | DIFFUSER Z | 9315003027 | 9315003027 | 9315003027 | |
| 46 | SPRING C | 9314142017 | 9314142017 | 9314142017 | |
| 47 | PILLER A | 9315009012 | 9315009012 | 9315009012 | |
| 48 | JOINT B | 9315006011 | 9315006011 | 9315006011 | |
| - | FAN GUARD | 9305751051 | 9305751051 | 9305751051 | |
| - | FAN GUARD HOLDER RIGHT | 9315814012 | 9315814012 | 9315814012 | |
| - | FAN GUARD HOLDER LEFT | 9315815019 | 9315815019 | 9315815019 | |

MODELS : AS*A18/ 24/ 30GACH



| Ref No. | Description | Parts No. | | | Q'ty |
|---------|----------------------------|-------------|-------------|-------------|------|
| | | AS* A18GACH | AS* A24GACH | AS* A30GACH | |
| 100 | CONTROLLER PCB | 9708981017 | 9708981017 | 9708981017 | |
| 101 | COMMUNICATION PCB | 9709373019 | 9709373019 | 9709373019 | |
| 103 | CONTROL BOX | 9379830003 | 9379830003 | 9379830003 | |
| 104 | CONTROL BOX COVER | 9379831000 | 9379831000 | 9379831000 | |
| 105 | MOTOR CASE | 9314998034 | 9314998034 | 9314998034 | |
| 106 | TERMINAL EARTH | 9379835008 | 9379835008 | 9379835008 | |
| 107 | FAN MOTOR ASSY | 9602784004 | 9602784004 | 9602703012 | |
| 108 | MOTOR STEP (RED) | 9900384029 | 9900384029 | 9900384029 | |
| 109 | MOTOR STEP (GREEN) | 9900384036 | 9900384036 | 9900384036 | |
| 110 | MOTOR STEP (BLUE) | 9900139063 | 9900139063 | 9900139063 | |
| 111 | GEAR A | 9309994003 | 9309994003 | 9309994003 | |
| 112 | TERMINAL | 9900588007 | 9900588007 | 9900588007 | |
| 113 | INDICATOR PCB ASSY | 9707210040 | 9707210040 | 9707210040 | |
| 114 | SWITCH PCB | 9707732016 | 9707732016 | 9707732016 | |
| 115 | SWITCH BOX | 9379833004 | 9379833004 | 9379833004 | |
| 116 | SWITCH BOX COVER | 9379945004 | 9379945004 | 9379945004 | |
| 117 | SHIELD A | 9379836005 | 9379836005 | 9379836005 | |
| 118 | SHIELD B | 9379837002 | 9379837002 | 9379837002 | |
| 119 | SHIELD C | 9379838009 | 9379838009 | 9379838009 | |
| 120 | THERMISTOR CONNECTION WIRE | 9707854022 | 9707854022 | 9707854022 | |
| - | FUSE 250V 3.15A | 0600376062 | 0600376062 | 0600376062 | |
| - | FUSE HOLDER | 0501707019 | 0501707019 | 0501707019 | |