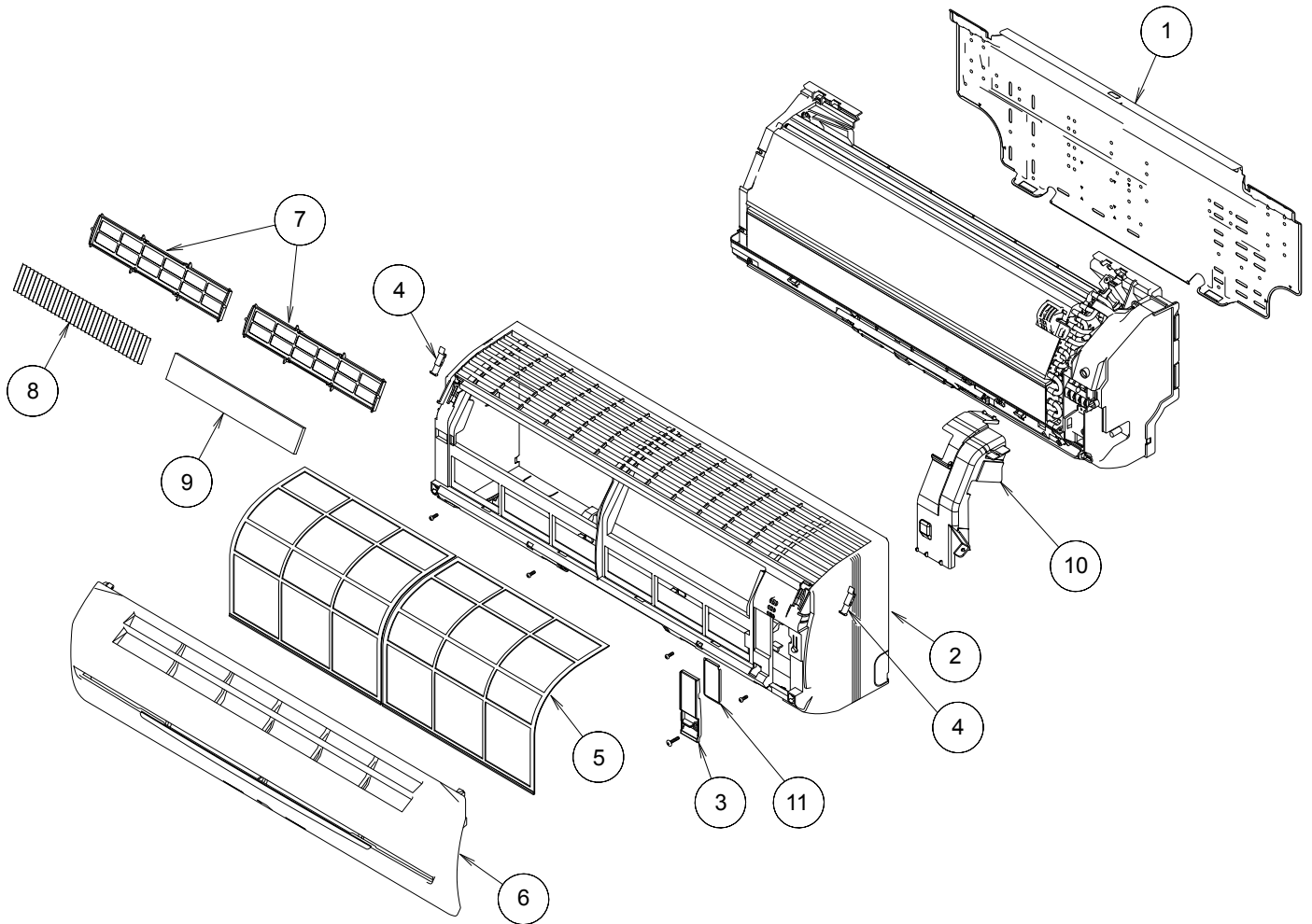


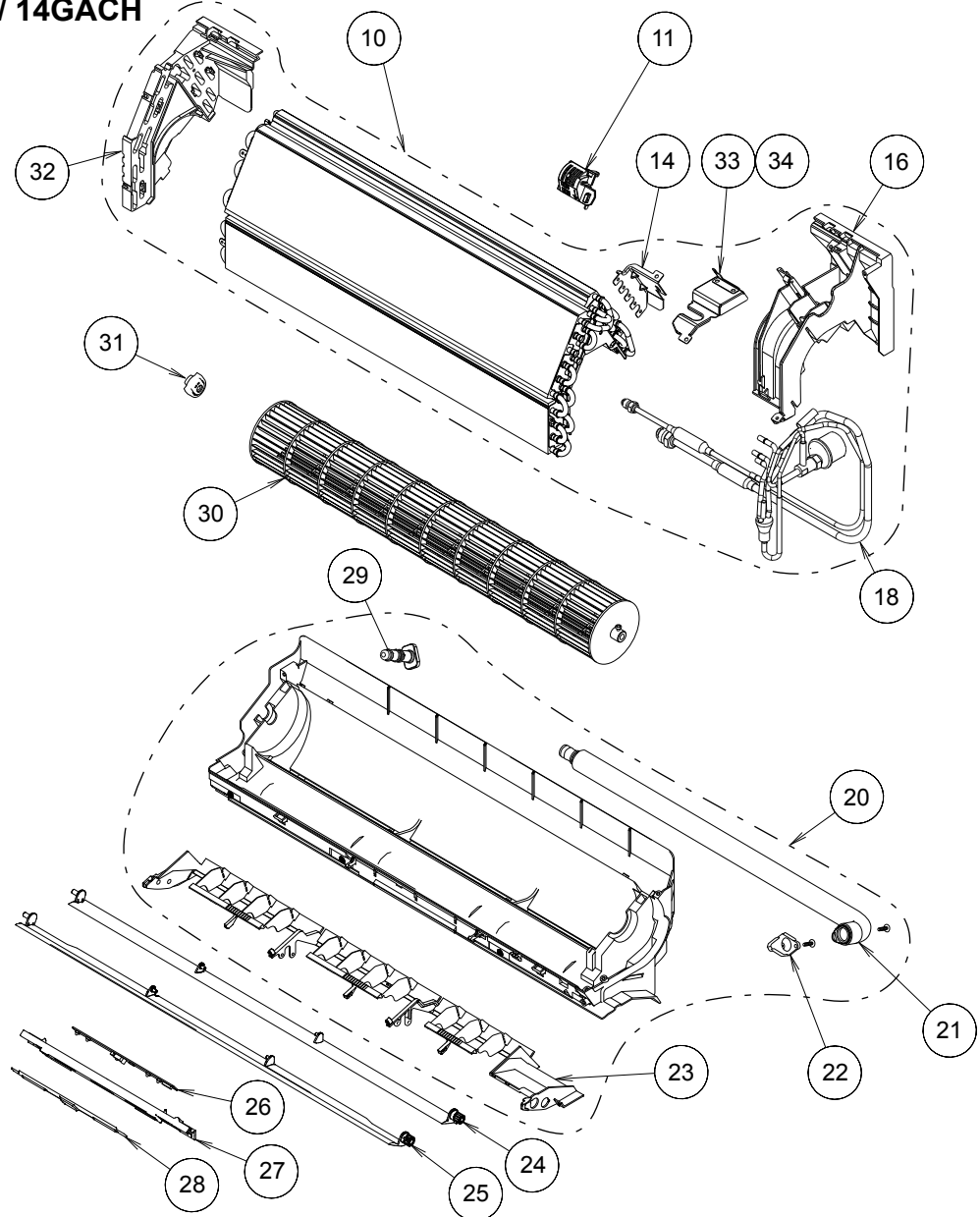
**MODELS : AS\* A04/ 07/ 09/ 12/ 14GACH**



Ref No.	Description	Parts No.					Q'ty
		AS* A04GACH	AS* A07GACH	AS* A09GACH	AS* A12GACH	AS* A14GACH	
1	BRACKET PANEL ASSY	9312752027	9312752027	9312752027	9312752027	9312752027	
2	PANEL (FRONT)	9309999053	9309999053	9309999053	9309999053	9309999053	
3	WIRE CLAMPER	9313944018	9313944018	9313944018	9313944018	9313944018	
4	CLAMPER (GRILLE)	9306755010	9306755010	9306755010	9306755010	9306755010	
5	AIR FILTER	9309997011	9309997011	9309997011	9309997011	9309997011	
6	INTAKE GRILLE ASSY	9313131234	9313131234	9313131234	9313131234	9313131234	
7	HOLDER (ELECTRIC FILTER)	9306602017	9306602017	9306602017	9306602017	9306602017	
8	ELECTRIC FILTER	9312153015	9312153015	9312153015	9312153015	9312153015	
9	ION DEODRANT FILTER	9311925033	9311925033	9311925033	9311925033	9311925033	
10	PIPE COVER	9378679009	9378679009	9378679009	9378679009	9378679009	
11	SHIELD C	9380658009	9380658009	9380658009	9380658009	9380658009	

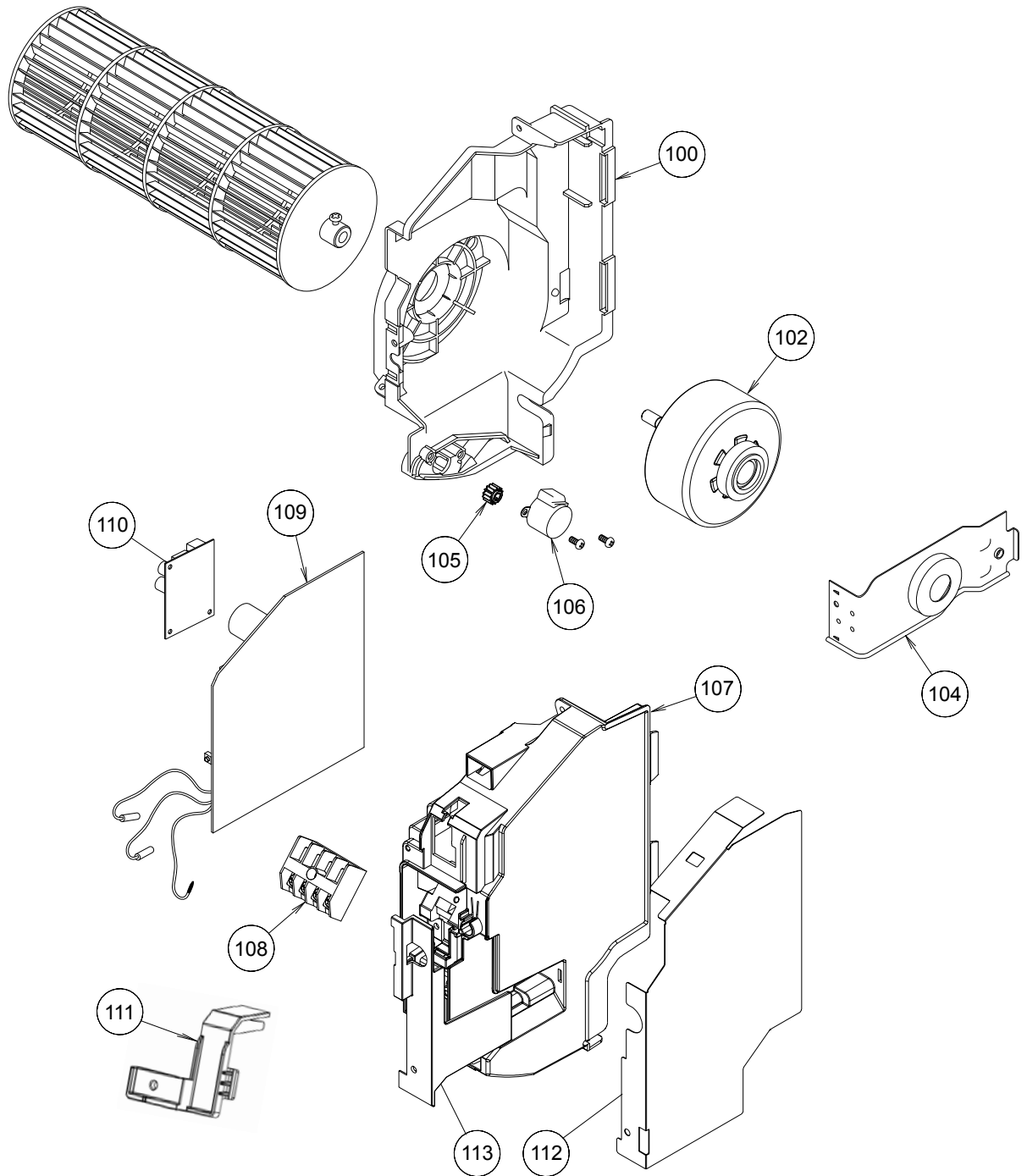
**MODELS :**

**AS\* A04/ 07/ 09/ 12/ 14GACH**



Ref No.	Description	Parts No.					Q'ty
		AS* A04GACH	AS* A07GACH	AS* A09GACH	AS* A12GACH	AS* A14GACH	
10	EVAPORATOR TOTAL ASSY	9366633068	9366633068	9366633068	9366633075	9366633075	
11	HOLDER (ROOM THERMISTOR)	9311948018	9311948018	9311948018	9311948018	9311948018	
14	BRACKET (EVA)	9378675001	9378675001	9378675001	9378675001	9378675001	
16	HOLDER (EVA) R	9379018005	9379018005	9379018005	9379018005	9379018005	
18	JOINT PIPE A ASSY	9372119082	9372119082	9372119082	9372119075	9372119075	
20	CASING ASSY	9312112142	9312112142	9312112142	9312112142	9312112142	
21	HOSE (DRAIN) ASSY	9314147029	9314147029	9314147029	9314147029	9314147029	
22	BRACKET DRAIN	9314161018	9314161018	9314161018	9314161018	9314161018	
23	LOUVER HOLDER	9310936016	9310936016	9310936016	9310936016	9310936016	
24	LOUVER Z ASSY	9312369034	9312369034	9312369034	9312369034	9312369034	
25	LOUVER U ASSY	9312368020	9312368020	9312368020	9312368020	9312368020	
26	DISPLAY PCB	9705039063	9705039063	9705039063	9705039063	9705039063	
27	CASE DISPLAY	9311858010	9311858010	9311858010	9311858010	9311858010	
28	RECEIVER WINDOW	9312911011	9312911011	9312911011	9312911011	9312911011	
29	CAP (DRAIN)	9316177017	9316177017	9316177017	9316177017	9316177017	
30	CROSS FLOW FAN ASSY	9307836015	9307836015	9307836015	9307836015	9307836015	
31	BEARING C ASSY	9306628017	9306628017	9306628017	9306628017	9306628017	
32	EVAPORATOR HOLDER L ASSY	9312360024	9312360024	9312360024	9312360024	9312360024	
33	EXPANSION VALVE COVER ASSY	9378680005	9378680005	9378680005	9378680005	9378680005	
34	INS (EEV COVER)	9379023009	9379023009	9379023009	9379023009	9379023009	

**MODELS : AS\* A04/ 07/ 09/ 12/ 14GACH**



Ref No.	Description	Parts No.					Q'ty
		AS* A04GACH	AS* A07GACH	AS* A09GACH	AS* A12GACH	AS* A14GACH	
100	BOX (SWITCH) SUB ASSY	9314245046	9314245046	9314245046	9314245046	9314245046	
102	MOTOR DC BRUSHLESS	9603100018	9603100018	9603100018	9603100018	9603100018	
104	CLAMPER (MOTOR)	9310102008	9310102008	9310102008	9310102008	9310102008	
105	GEAR A	9309994003	9309994003	9309994003	9309994003	9309994003	
106	MOTOR STEP	9900139025	9900139025	9900139025	9900139025	9900139025	
107	COVER SWITCH SUB ASSY	9380667001	9380667001	9380667001	9380667001	9380667001	
108	TERMINAL 4P	9701955121	9701955121	9701955121	9701955121	9701955121	
109	CONTROLLER PCB (with thermistors)	9708986012	9708986012	9708986012	9708986012	9708986012	
110	COMMUNICATION PCB	9709373019	9709373019	9709373019	9709373019	9709373019	
111	COVER SWITCH COVER	9315246028	9315246028	9315246028	9315246028	9315246028	
112	SHIELD A	9380656005	9380656005	9380656005	9380656005	9380656005	
113	CONNECTOR COVER	9313945015	9313945015	9313945015	9313945015	9313945015	