

SERVICE MANUAL

Model	UTZ-BD025B	UTZ-BD025C
	UTZ-BD035B	UTZ-BD035C
	UTZ-BD050B	UTZ-BD050C
	UTZ-BD080B	UTZ-BD080C
	UTZ-BD100B	UTZ-BD100C



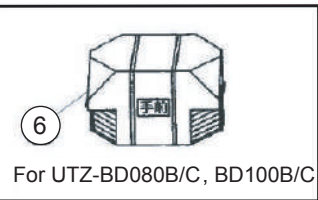
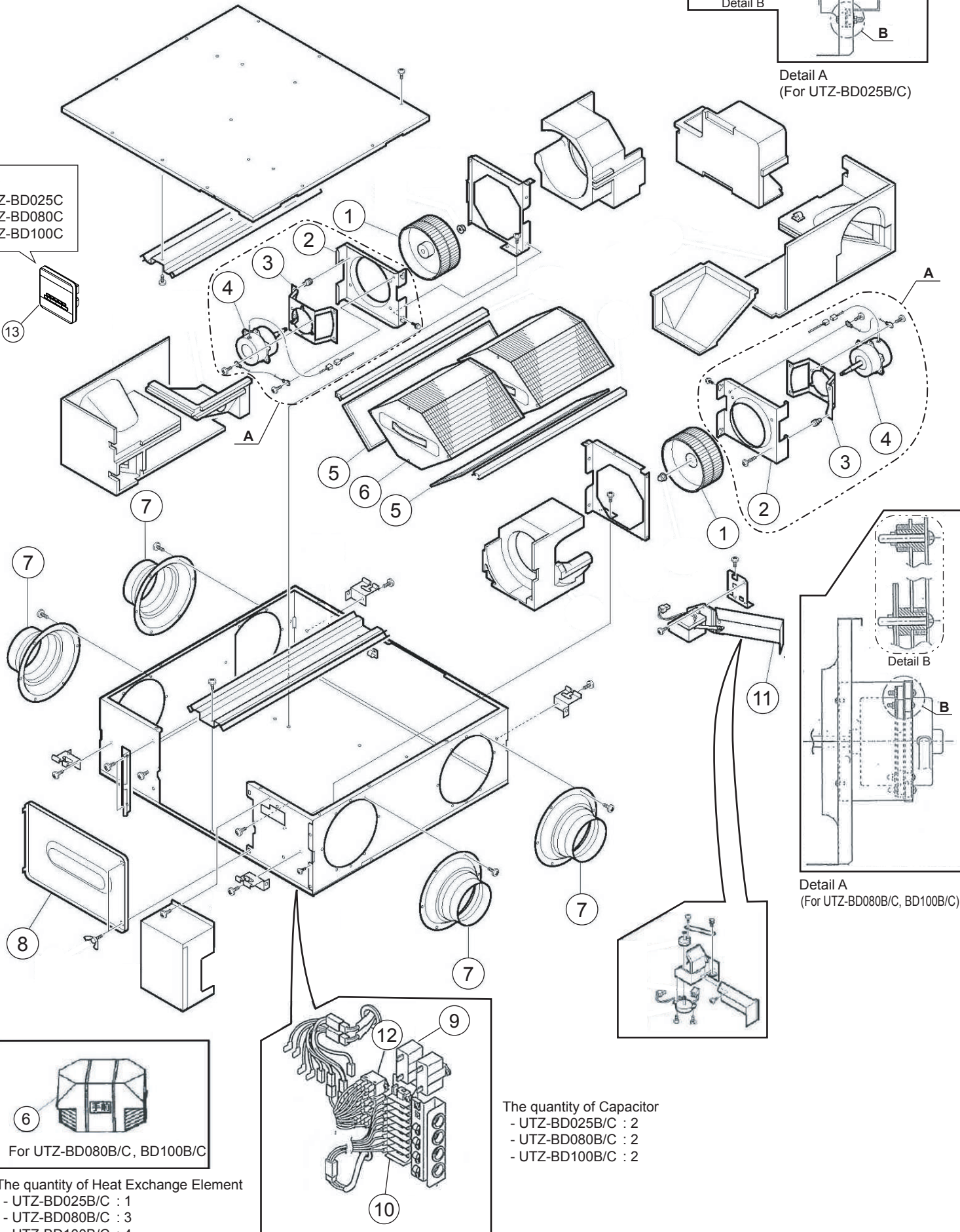
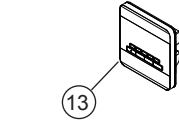
CONTENTS

DISASSEMBLY ILLUSTRATION	01
PARTS LIST	03
DISASSEMBLY INSTRUCTION	04

DISASSEMBLY ILLUSTRATION

Model : UTZ-BD025B, UTZ-BD080B, UTZ-BD100B,
UTZ-BD025C, UTZ-BD080C, UTZ-BD100C

For
UTZ-BD025C
UTZ-BD080C
UTZ-BD100C



For UTZ-BD080B/C, BD100B/C


The quantity of Heat Exchange Element
 - UTZ-BD025B/C : 1
 - UTZ-BD080B/C : 3
 - UTZ-BD100B/C : 4

The quantity of Capacitor
 - UTZ-BD025B/C : 2
 - UTZ-BD080B/C : 2
 - UTZ-BD100B/C : 2

DISASSEMBLY ILLUSTRATION

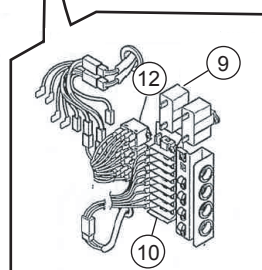
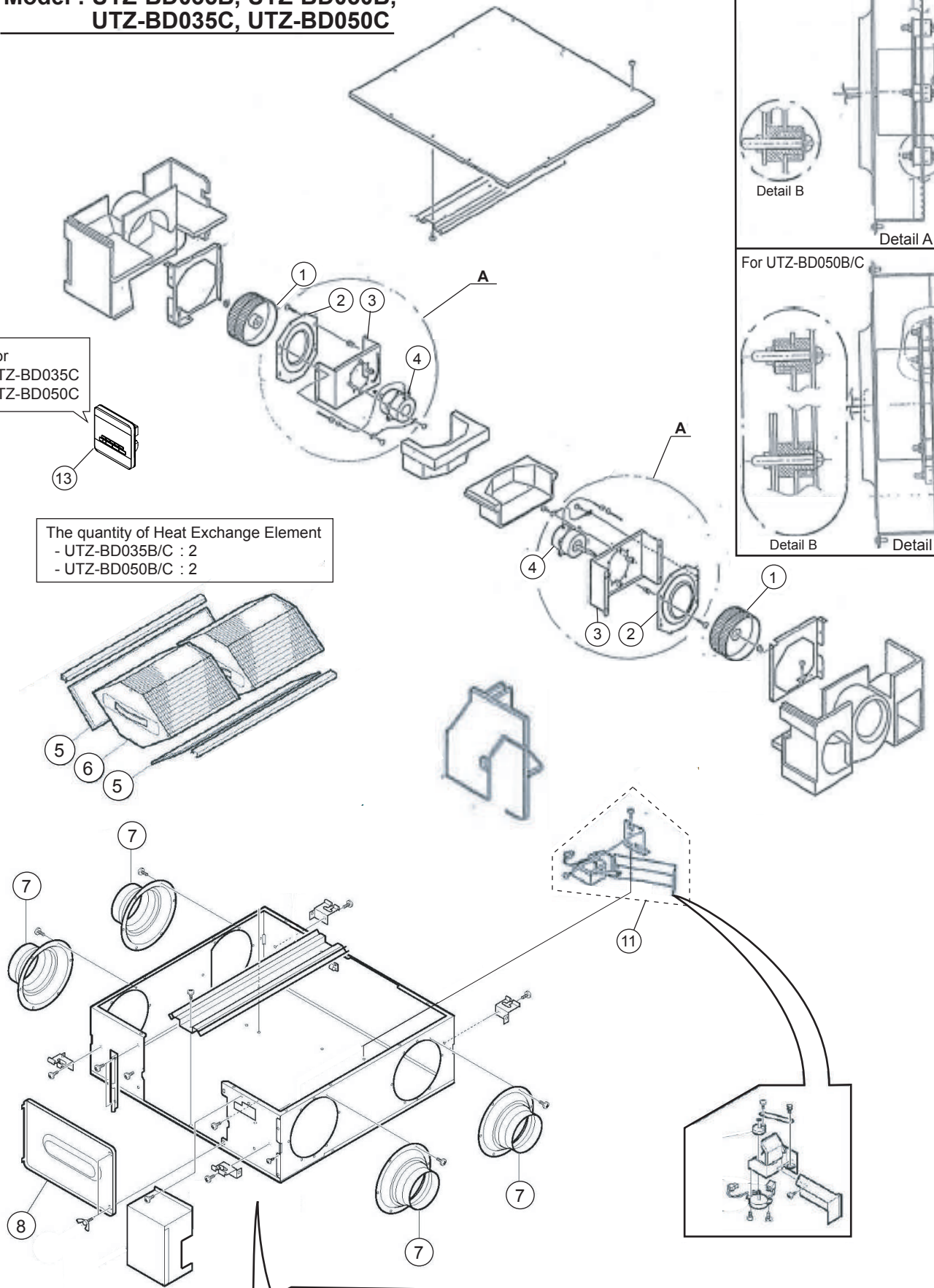
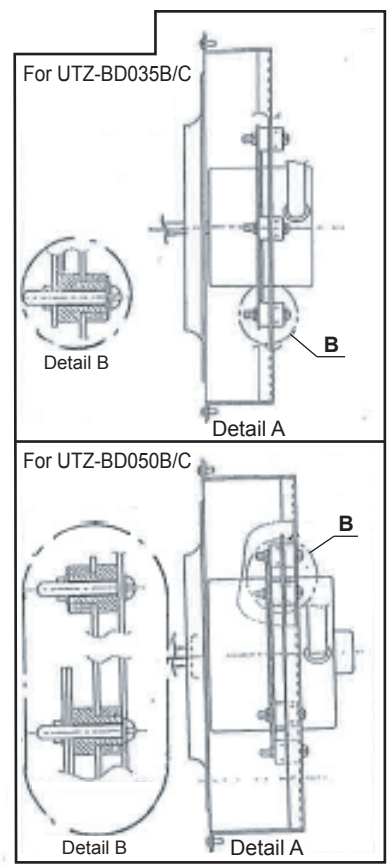
Model : UTZ-BD035B, UTZ-BD050B,
UTZ-BD035C, UTZ-BD050C

For
 UTZ-BD035C
 UTZ-BD050C



13

The quantity of Heat Exchange Element
 - UTZ-BD035B/C : 2
 - UTZ-BD050B/C : 2



The quantity of Capacitor
 - UTZ-BD035B/C : 2
 - UTZ-BD050B/C : 2

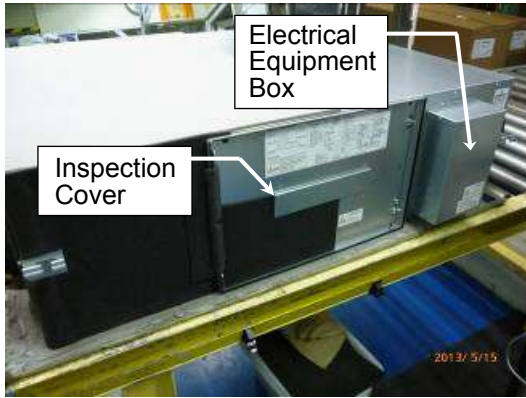
PARTS LIST

Ref No.	Description	Parts No.				
		UTZ-BD025B	UTZ-BD035B	UTZ-BD050B	UTZ-BD080B	UTZ-BD100B
1	FAN,SIROCCO	FFV210F309	FFV210F307	FFV210F307	FFV210F311	FFV210F311
2	CASING PARTITION	FFV119F299	FFV119F300	FFV119F300	FFV119F301	FFV119F301
3	MOTOR PLATE	FFV119F303	FFV119F304	FFV119F305	FFV119F307	FFV119F308
4	MOTOR	FFV322F512	FFV322F507	FFV322F508	FFV322F510	FFV322F511
5	FILTER	FFV251F226	FFV251F227	FFV251F228	FFV251F229	FFV251F230
6	HEAT EXCHANGER	FFV027F111	FFV027F110	FFV027F112	FFV027F115	FFV027F115
7	ADAPTOR	FFV005F093	FFV005F094	FFV005F095	FFV005F096	FFV005F096
8	LID MAINTENANCE	FFV218F081	FFV218F082	FFV218F082	FFV218F084	FFV218F084
9	CAPACITOR	FFV090F222	FFV090F223	FFV090F224	FFV090F225	FFV090F225
10	TERMINAL 8P (WIRE ASSY)	FFV099F118	FFV099F118	FFV099F118	FFV099F118	FFV099F118
11	DAMPER ASSY	FFV115F213	FFV115F214	FFV115F215	FFV115F217	FFV115F218
12	RELAY	FFV341F006	FFV341F006	FFV341F006	FFV341F006	FFV341F006

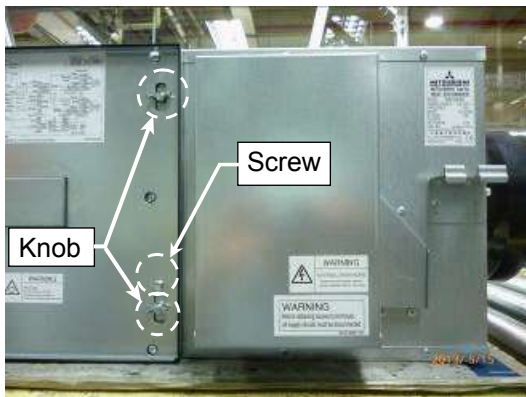
Ref No.	Description	Parts No.				
		UTZ-BD025C	UTZ-BD035C	UTZ-BD050C	UTZ-BD080C	UTZ-BD100C
1	FAN,SIROCCO	FFV210F309	FFV210F307	FFV210F307	FFV210F311	FFV210F311
2	CASING PARTITION	FFV119F299	FFV119F300	FFV119F300	FFV119F301	FFV119F301
3	MOTOR PLATE	FFV119F303	FFV119F304	FFV119F305	FFV119F307	FFV119F308
4	MOTOR	FFV322F512	FFV322F507	FFV322F508	FFV322F510	FFV322F511
5	FILTER	FFV251F226	FFV251F227	FFV251F228	FFV251F229	FFV251F230
6	HEAT EXCHANGER	FFV027F111	FFV027F110	FFV027F112	FFV027F115	FFV027F115
7	ADAPTOR	FFV005F093	FFV005F094	FFV005F095	FFV005F096	FFV005F096
8	LID MAINTENANCE	FFV218F081	FFV218F082	FFV218F082	FFV218F084	FFV218F084
9	CAPACITOR	FFV090F222	FFV090F223	FFV090F224	FFV090F225	FFV090F225
10	TERMINAL 8P (WIRE ASSY)	FFV099F118	FFV099F118	FFV099F118	FFV099F118	FFV099F118
11	DAMPER ASSY	FFV115F213	FFV115F214	FFV115F215	FFV115F217	FFV115F218
12	RELAY	FFV341F006	FFV341F006	FFV341F006	FFV341F006	FFV341F006
13	ENERGY RECOVERY VENTILATOR REMOCON	EB90S1560	EB90S1560	EB90S1560	EB90S1560	EB90S1560

DISASSEMBLY INSTRUCTION

1. Method of remove the Heat Exchange Element and the filter

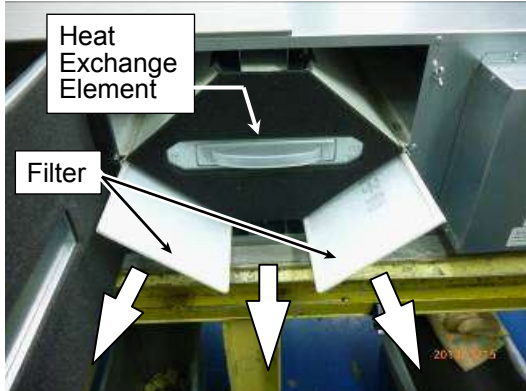


1: Stop operation and cut the power supply (breaker)
(The upper picture shows model UTZ-BD050B/C.)

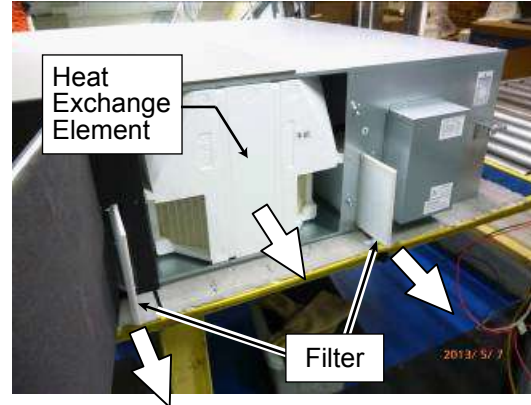


2: Turn the knob (2 pieces) and the screw (1 piece)
and remove the Inspection Cover.

For UTZ-BD025B/035B/050B/025C/035C/050C



For UTZ-BD080B/100B/080C/100C



3: Remove the Heat Exchange Element and the filter.
Note) The quantity and form of Heat Exchange Element differ depending on the model.

The quantity of Heat Exchange Element by Model

No	Model	Number of Elements	Number of Filters
1	UTZ-BD025B/C	1	2
2	UTZ-BD035B/C	2	2
3	UTZ-BD050B/C	2	2
4	UTZ-BD080B/C	3	2
5	UTZ-BD100B/C	4	2

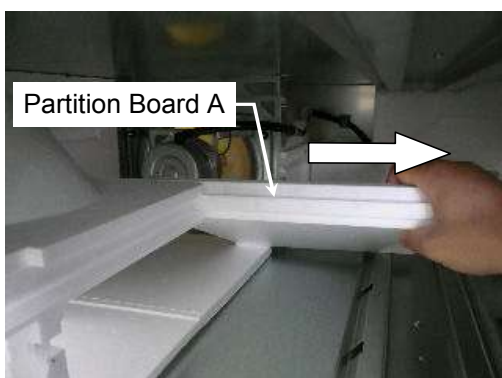
Note:
There are differences in the form of Heat Exchange Element between No.1~No.3 and No.4~No.5.
Refer to the upper picture 3.

2. Method of remove the Motor Assembly (UTZ-025B/ 080B/ 100B/ 025C/ 080C/ 100C)

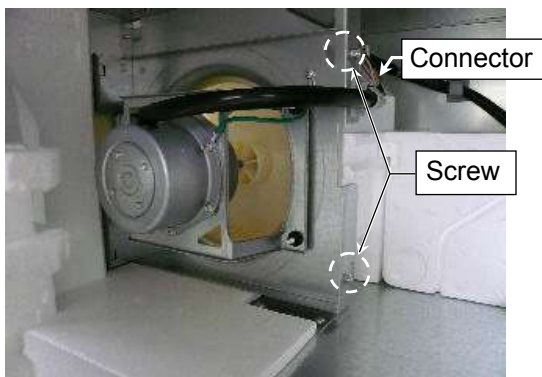


1: Remove the filter and the Heat Exchange Element. Refer to the attached "Method of remove the Heat Exchange Element and the filter".

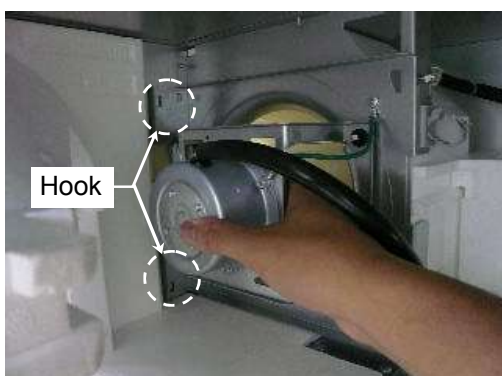
2: First remove the screw (1 piece) and then remove the Grooved Rail.



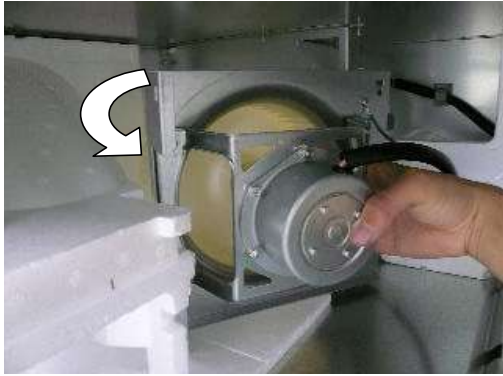
3: Pull the partition board A out to the direction of arrow.



4: Turn two pieces of screw on the Motor ASSY and remove the wired connector.



5: Unhook the Motor ASSY.



6: Rotate the Motor ASSY around the axis.
(Note) Actually, The color of a wheel is black.



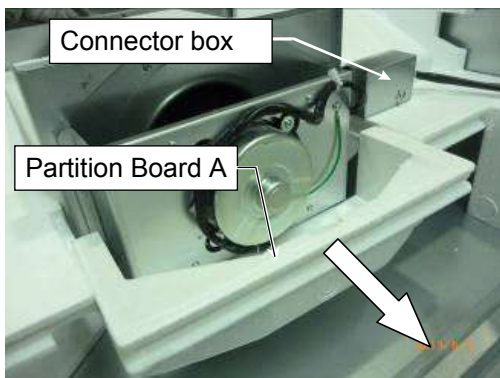
7: Pull it out to the direction of arrow and
put outside of product.

3. Method of remove the Motor Assembly (UTZ-035B/ 050B/ 035C/ 050C)

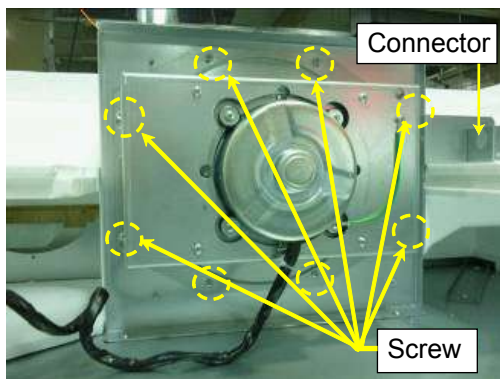


1: Remove the filter and the Heat Exchange Element. Refer to the attached "Method of remove the Heat Exchange Element and the filter".

2: First remove the screw (1 piece) and then remove the Grooved Rail.



3: Pull the partition board A out to the direction of arrow.

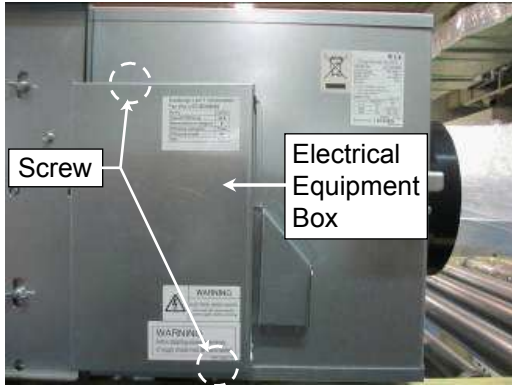


4: Turn 8 pieces of screw on the Motor ASSY and remove the wired connector.

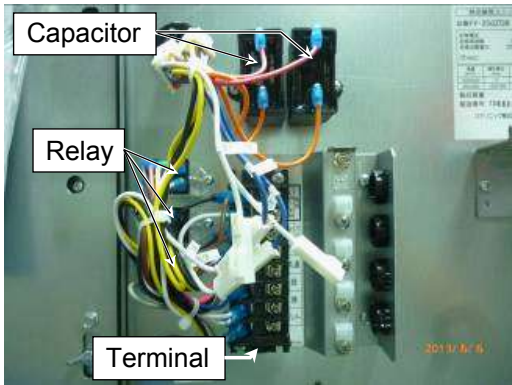


5: Pull it out to the direction of arrow and outside of product.

4. Method of remove the parts of Electrical Equipment

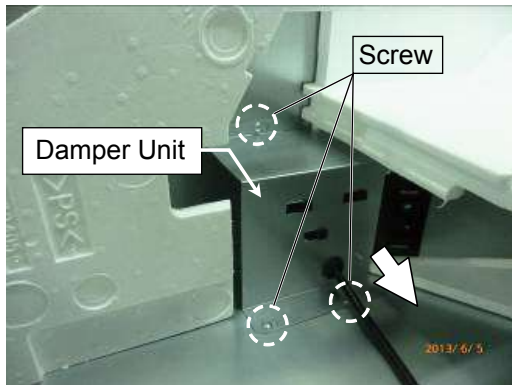


1: First remove the screw (2 pieces) and then remove the cover of Electrical Equipment Box.



2: Inside of the Electrical Equipment Box.

5. Method of remove the parts of Damper Unit



1: Remove the screw (3 piece).
2: Pull the Damper Unit out to the direction of arrow.



3: Put outside of product.

FUJITSU GENERAL LIMITED

3-3-17, Suenaga, Takatsu-ku, Kawasaki 213-8502, Japan

1310G4262