

**SPLIT TYPE  
ROOM AIR CONDITIONER  
WALL MOUNTED type**

# **SERVICE MANUAL**



## **Models**

**Indoor unit**

**Outdoor unit**

ASYB09LDC

AOYS09LDC

ASYB12LDC

AOYS12LDC

## **CONTENTS**

SPECIFICATIONS.....	1
DIMENSIONS.....	2
REFRIGERANT SYSTEM DIAGRAM.....	3
CIRCUIT DIAGRAM.....	4
INDOOR PCB CIRCUIT DIAGRAM.....	5
OUTDOOR PCB CIRCUIT DIAGRAM....	8
ERROR CONTENTS.....	10
DISASSEMBLY ILLUSTRATION.....	11
PARTS LIST.....	14
STANDARD ACCESSORIES.....	16

# SPECIFICATIONS

TYPE	COOL & HEAT INVERTER	
INDOOR UNIT	ASYB09LDC	ASYB12LDC
OUTDOOR UNIT	AOYS09LDC	AOYS12LDC
COOLING CAPACITY	2.60 kW	3.50 kW
HEATING CAPACITY	3.60 kW	4.80 kW

## ELECTRICAL DATA

POWER SOURCE		230 V	230 V
FREQUENCY		50 Hz	50 Hz
RUNNING CURRENT	COOLING	2.9 A	4.3 A
	HEATING	3.9 A	5.5 A
INPUT WATTS	COOLING	0.61 kW	0.91 kW
	HEATING	0.81 kW	1.22 kW
E.E.R.	COOLING	4.26 kW/kW	3.85 kW/kW
COP	HEATING	4.44 kW/kW	3.93 kW/kW
MOISTURE REMOVAL		1.3 L/hr	1.8 L/hr
AIR CIRCULATION -High	COOLING	560 m3/hr	595 m3/hr
	HEATING	605 m3/hr	630 m3/hr

## COMPRESSOR

TYPE	Hermetic type, 4 pole, 3 phase, DC inverter motor, Rotary		
DISCRIMINATION	DA89X1C - 20FZ		
REFRIGERANT	R410A	950 g	1,050 g

## FAN MOTOR

POWER SOURCE		230 V	230 V
INDOOR UNIT (cool / heat)	HIGH2	1,340 / 1,430 r.p.m.	1,400 / 1,470 r.p.m.
	HIGH-SPEED	1,300 / 1,390 r.p.m.	1,370 / 1,440 r.p.m.
	MED-SPEED	1,120 / 1,200 r.p.m.	1,150 / 1,200 r.p.m.
	LOW-SPEED	950 / 1,000 r.p.m.	950 / 1,000 r.p.m.
	QUIET	700 / 760 r.p.m.	700 / 760 r.p.m.
OUTDOOR UNIT (cool / heat)	HIGH2	820 / 760 r.p.m.	820 / 820 r.p.m.
	HIGH-SPEED	760 / 680 r.p.m.	760 / 680 r.p.m.

" HIGH2 " means when ability measurement.

## DIMENSIONS

INDOOR UNIT	H x W x D	283 x 790 x 230 mm
OUTDOOR UNIT	H x W x D	540 x 790 x 290 mm

## WEIGHT

INDOOR UNIT	Gross / Net	12 / 9.5 kg	12 / 9.5 kg
OUTDOOR UNIT	Gross / Net	38 / 34 kg	40 / 36 kg

## NOISE LEVEL

INDOOR UNIT (Cool / Heat)	High 2	40 dB / 41 dB	42 dB / 42 dB
	High 1	39 dB / 40 dB	41 dB / 41 dB
	Med	34 dB / 35 dB	35 dB / 35 dB
	Low	29 dB / 28 dB	29 dB / 28 dB
	Quiet	20 dB / 21 dB	20 dB / 21 dB
OUTDOOR UNIT (Cool / Heat)	High 2	48 dB / 50 dB	49 dB / 51 dB
	High 1	47 dB / 48 dB	47 dB / 49 dB

## REFRIGERANT (R410A)

FULL CHARGE AMOUNT	Pipe Length 15 m	950 g	1,050 g
	20 m	1,050 g	1,150 g
ADDITIONAL REFRIGERANT		20 g / m	20 g / m
MAXIMUM PIPING HEIGHT		15m	15m

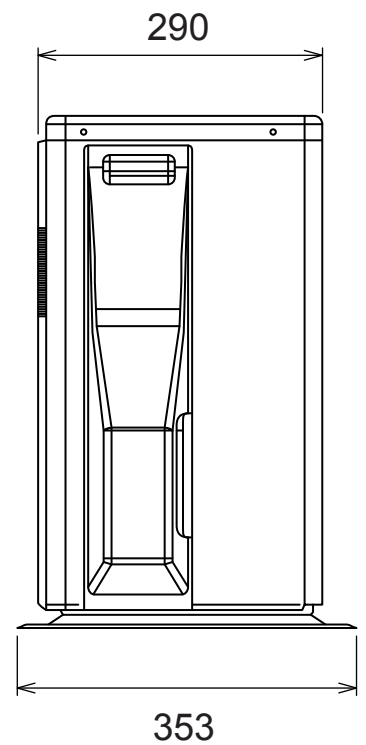
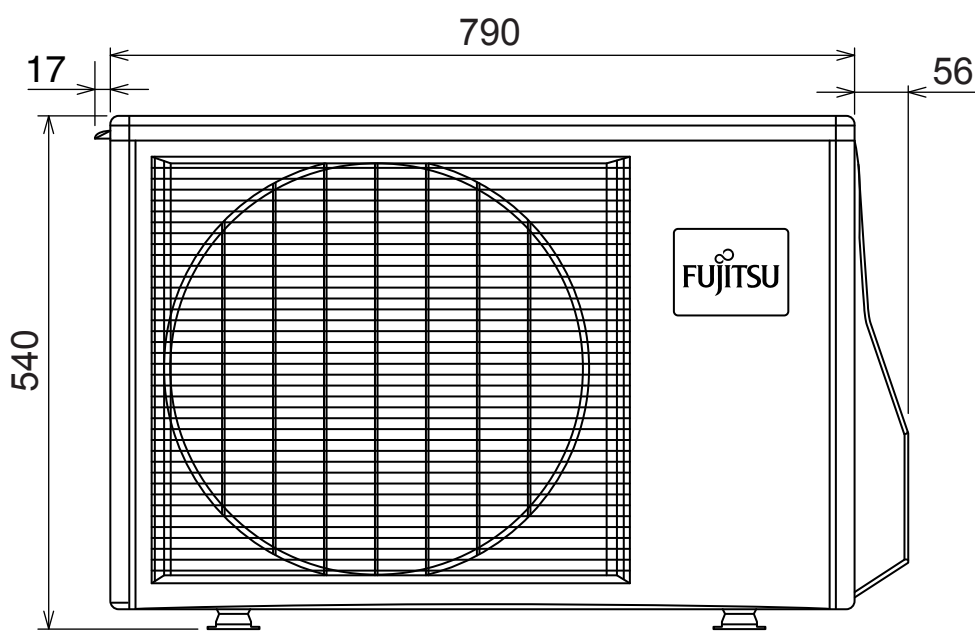
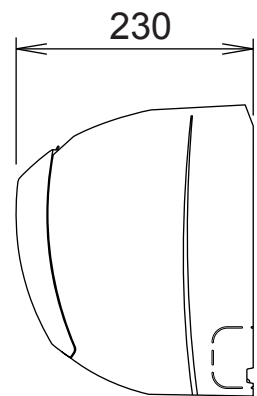
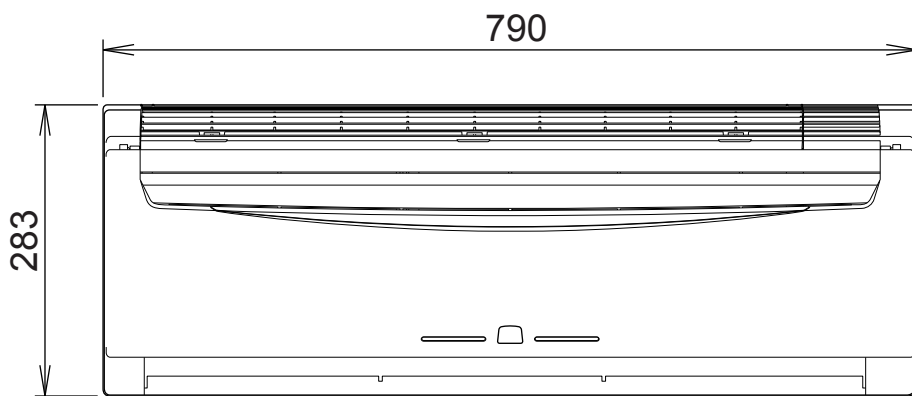
# DIMENSIONS

Models :

ASYB09LDC / AOYS09LDC

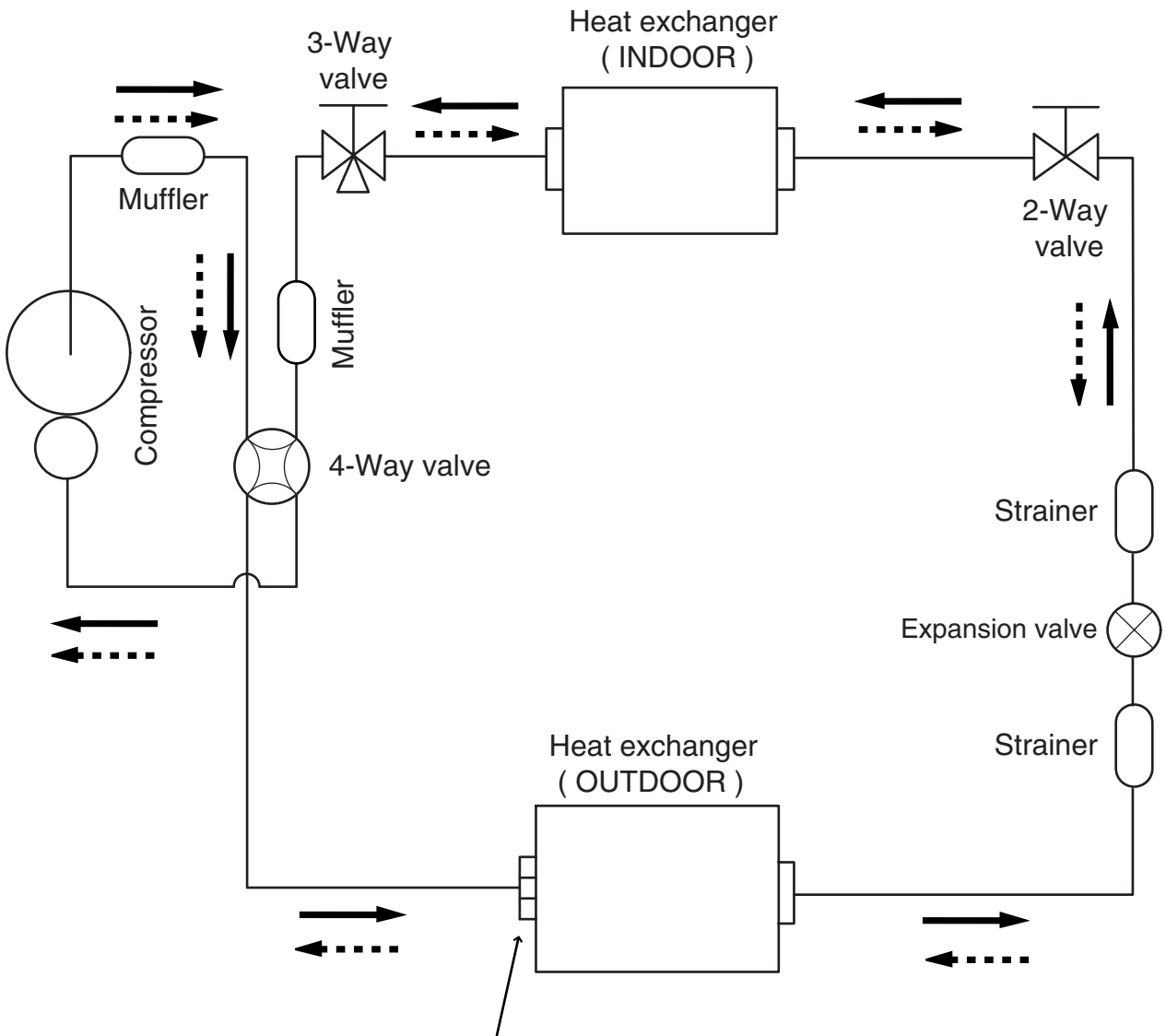
ASYB12LDC / AOYS12LDC

(unit : mm)



# REFRIGERANT SYSTEM DIAGRAM

Models :  
 ASYB09LDC / AOYS09LDC  
 ASYB12LDC / AOYS12LDC



AOYS09LDC : 2 pass  
 AOYS12LDC : 4 pass

————> Cooling  
 - - - -> Heating

Refrigerant pipe diameter  
 Liquid : 1/4" (6.35 mm)  
 Gas : 3/8" (9.52 mm)

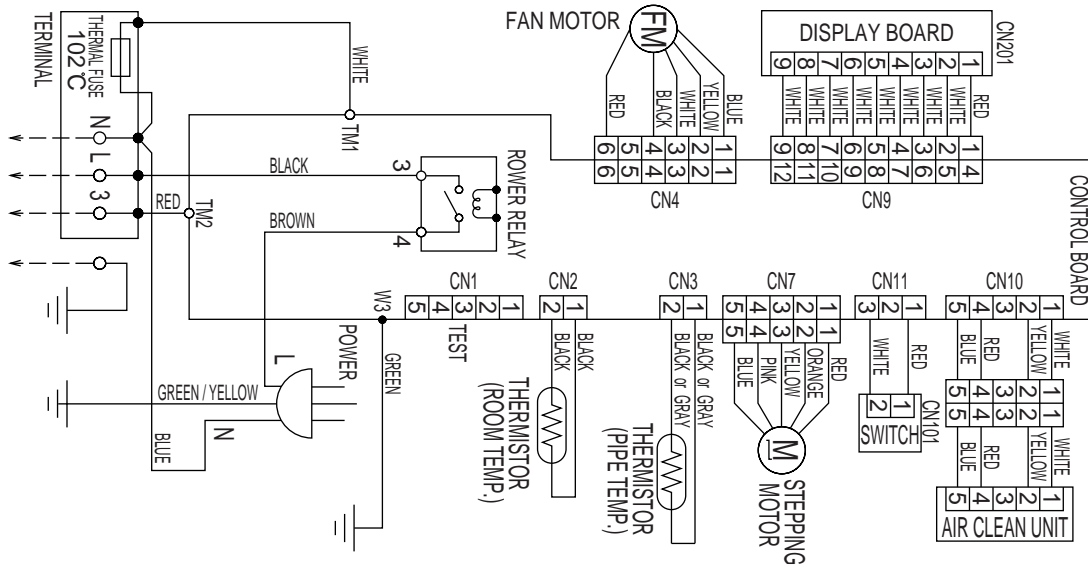
# CIRCUIT DIAGRAM

Models :

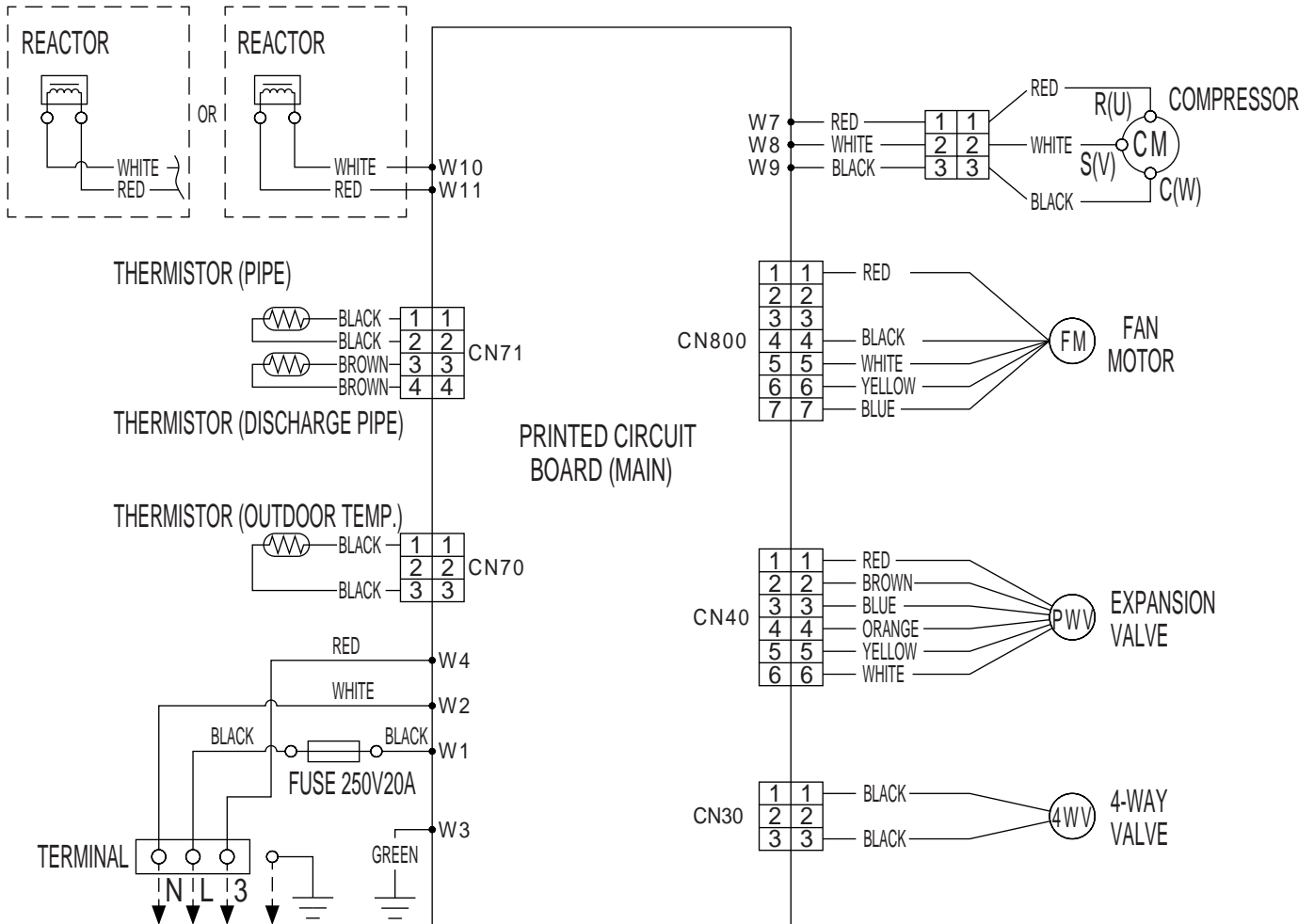
ASYB09LDC / AOYS09LDC

ASYB12LDC / AOYS12LDC

## INDOOR UNIT



## OUTDOOR UNIT



# ERROR CONTENTS

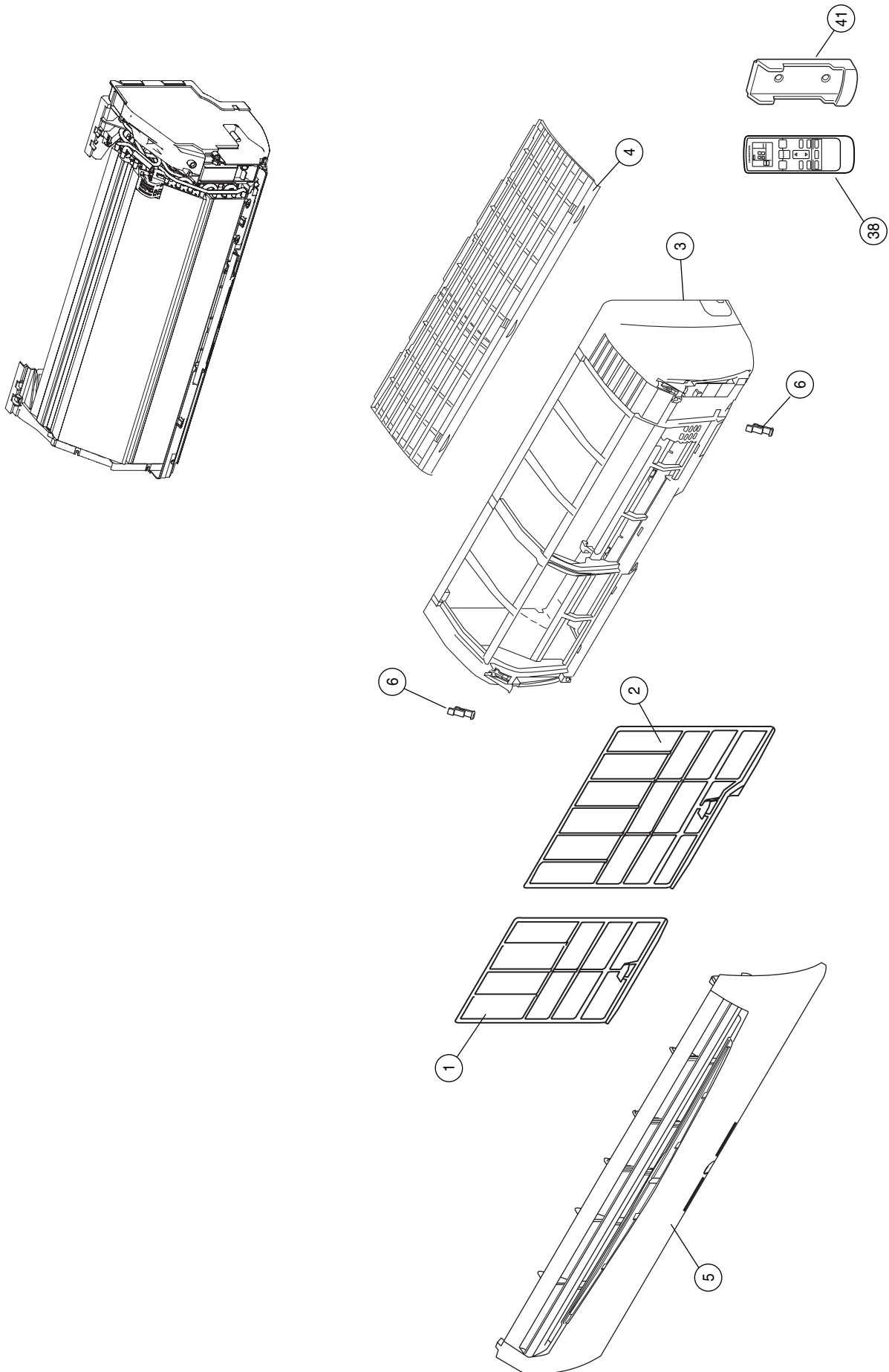
Error	Display		Error
	Operation LED	Timer LED	
Serial signal error	Off	2 flash	Serial signal (reverse) error, at operation start up
		3 flash	Serial signal (reverse) error, during operation
		4 flash	Serial signal (forward) error, at operation start up
		5 flash	Serial signal (forward) error, during operation
Indoor unit thermistor error	2 flash	2 flash	Indoor temperature thermistor open / short
		3 flash	Heat exchanger middle thermistor open / short
Outdoor unit thermistor error	3 flash	2 flash	Discharge thermistor open / short
		3 flash	Heat exchanger thermistor open
		4 flash	Outdoor temperature thermistor open / short
Indoor unit control error	4 flash	2 flash	Forced automatic SW welded
		3 flash	Main relay welded
		4 flash	Power interruption error
		7 flash	VDD permanent stop protection
		8 flash	reverse VDD permanent stop protection
Outdoor unit control error	5 flash	2 flash	Current trip error
		3 flash	CT abnormal
		5 flash	Compressor location detection error
		6 flash	Outdoor unit fan drive system abnormal
Indoor fan motor error	6 flash	2 flash	Abnormal lock
		3 flash	Abnormal rotation
Refrigerant cycle error	7 flash	2 flash	Discharge Temperature abnormal
		3 flash	Cooling high pressure abnormal rise
Optional function error	8 flash	4 flash	PFC circuit error
Model error	Blinking	Blinking	Model error

# DISASSEMBLY ILLUSTRATION

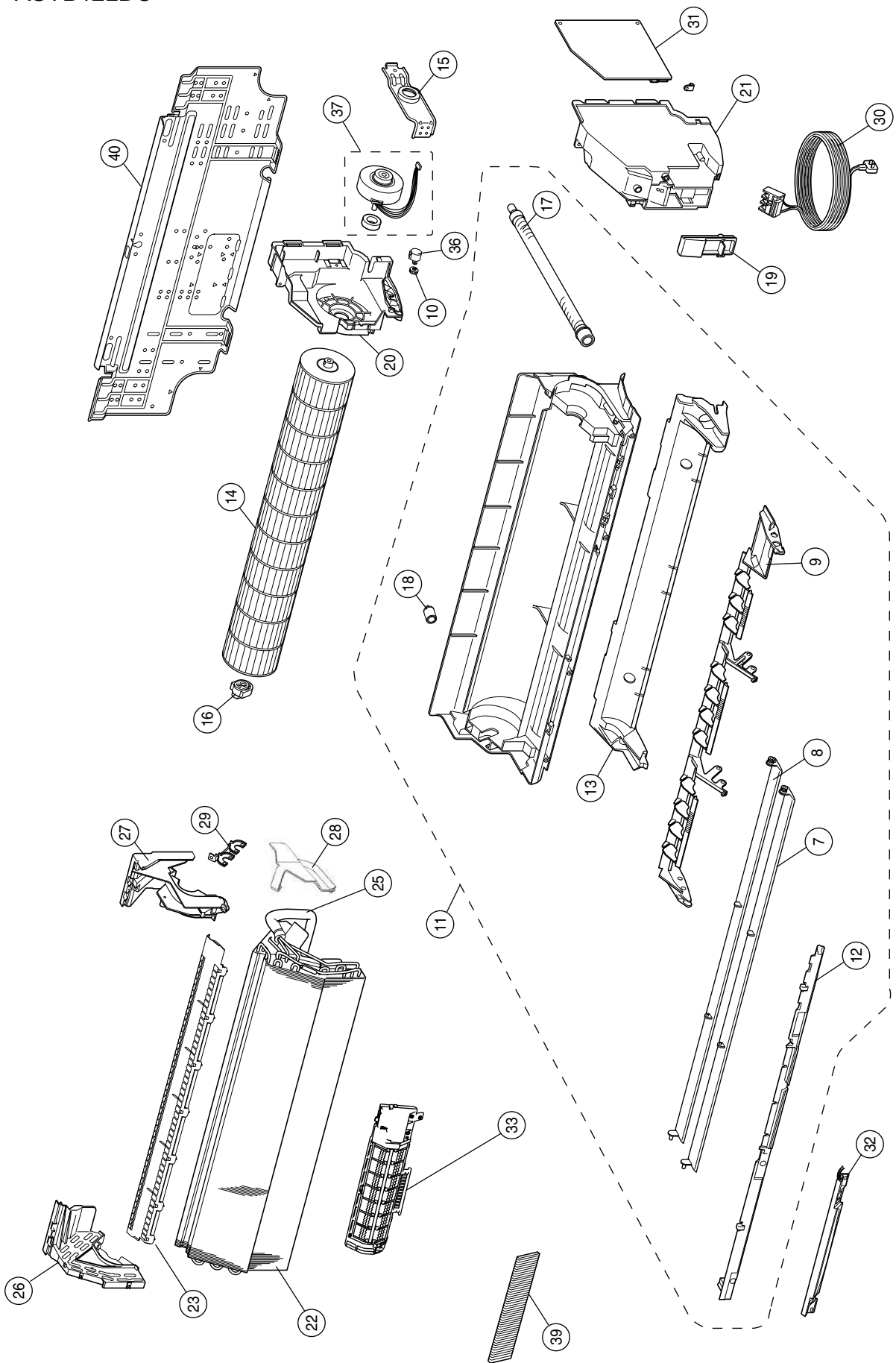
Models :

ASYB09LDC

ASYB12LDC

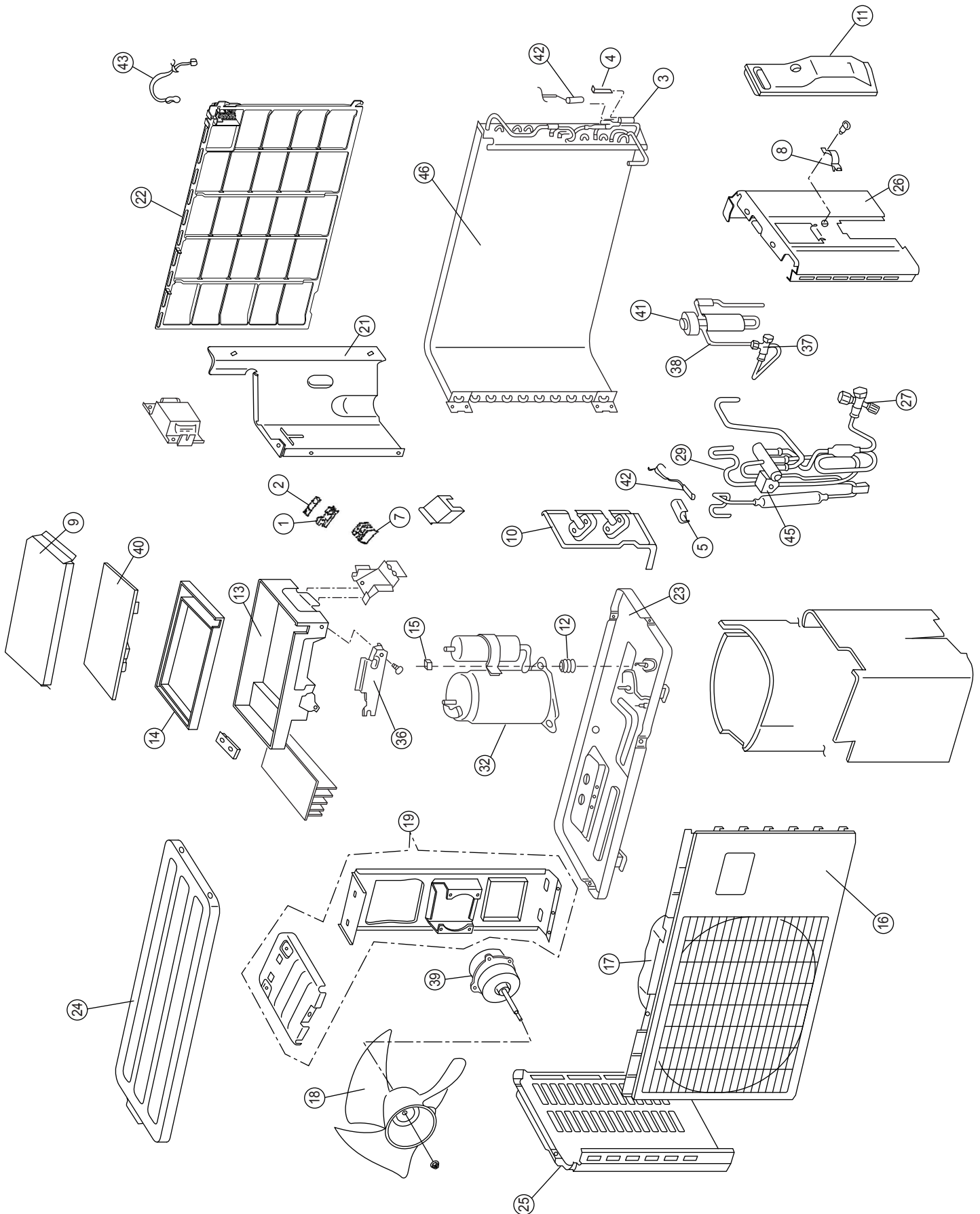


Models :  
ASYB09LDC  
ASYB12LDC





Models :  
AOYS09LDC  
AOYS12LDC



# PARTS LIST

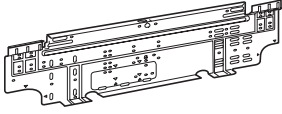



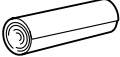
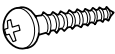

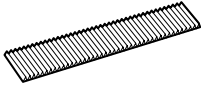
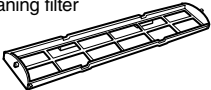
## INDOOR UNIT

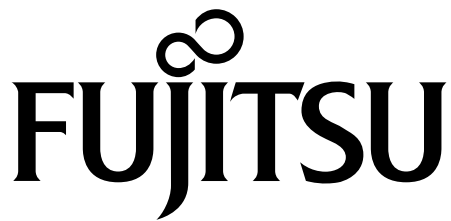
Ref. No.	Description	Part No.		Ord. Q'ty
		ASYB09LDC	ASYB12LDC	
1	Air Filter-L	9312920013	9312920013	
2	Air Filter-R	9312921010	9312921010	
3	Front Panel	9312914029	9312914029	
4	Top Grill	9313948016	9313948016	
5	Intake Grille Assy	9313157074	9313157074	
6	Clamper (Grille)	9306755010	9306755010	
7	Louver-U	9309991033	9309991033	
8	Louver-Z	9309992030	9309992030	
9	Holder (Louver) Assy	9309993013	9309993013	
10	Gear-A	9309994003	9309994003	
11	Casing Assy	9311354079	9311354079	
12	Cover (Casing)-F	9309987005	9309987005	
13	Cover (Casing)-B	9314160011	9314160011	
14	Crossflow Fan Assy	9307836015	9307836015	
15	Clamper (Motor)	9310102008	9310102008	
16	Bearing-C Assy	9306628017	9306628017	
17	Hose (Drain) Assy	9314147012	9314147012	
18	Cap (Drain) Assy	9314493010	9314493010	
19	Wire Clamper	9311946014	9311946014	
20	Box Switch	9312908011	9312908011	
21	Cover (Switch)	9312909018	9312909018	
22	Evaporator Total Assy	9313099015	9313099015	
23	Filter Guide	9313920012	9313920012	
25	H-Ins. (Pipe)-E	9304607007	9304607007	
26	Evaporator Holder-L Assy	9313174019	9313174019	
27	Evaporator Holder-R	9309983014	9309983014	
28	Water Seal	9312912018	9312912018	
29	Bracket (Eva. )	9310464007	9310464007	
30	Power Cord Assy	9900339036	9900339012	
31	Controller PCB Assy	9707116014	9707116021	
32	Indicator PCB Assy	9705375024	9705375024	
33	Air Cleaner Assy	9313148041	9313148041	
36	Motor, Step	9900139025	9900139025	
37	Motor, Brushless DC	9602109012	9602109012	
38	Remote Control Unit Assy	9315027047	9315027047	
39	Air Clean Filter	9313275013	9313275013	
40	Bracket Panel Assy	9310001004	9310001004	
41	Remote Control Unit Holder	9305642045	9305642045	
----	Room Temperature Thermistor	9700801108	9700801108	
----	Pipe Temperature Thermistor	9702039042	9702039042	
----	Transformer, Switch T1	9705054011	9705054011	
----	Varister VA1	0000785020	0000785020	
----	Fuse FSL 250 3.15(EM)	0600376062	0600376062	
----	Fuse Holder FH1-FH2	0500158072	0500158072	
----	Relay DW12D1 K1	9704185013	9704185013	
----	Manual Auto Switch SW1	9703476013	9703476013	
----	Cover (Display)	9312917013	9312917013	
----	Display Cover	9312918010	9312918010	
----	Receiver Window	9312919017	9312919017	
----	Holder (Outdoor Thermistor)	9307178023	9307178023	

## OUTDOOR UNIT

Ref. No.	Description	Part No.		Ord. Q'ty
		AOYS09LDC	AOYS12LDC	
1	Fuse Holder	0501454012	0501454012	
2	Fuse	0600382018	0600382018	
3	Thermister Holder Pipe	313714262805	313714262805	
4	Thermistor Spring-A	313728262708	313728262708	
5	Thermistor Spring	9300089012	9300089012	
7	Terminal	9306489038	9306489038	
8	Cord Clamp	9307271014	9307271014	
9	Cover (Case)	9309913011	9309913011	
10	Bracket Valve	9310229026	9310229026	
11	Cover (Switch)	9310979013	9310979013	
12	Rubber Cushion	9312680016	9312680016	
13	Inverter Case Assy	9312972029	9312972029	
15	Nut Special Assy	9313452018	9313452018	
16	Front Panel	9313806026	9313806026	
17	Fan Ring	9313807016	9313807016	
18	Propeller Fan	9313808013	9313808013	
19	Bracket (Motor) Assy	9313990015	9313990015	
21	Separator-B	9313815011	9313815011	
22	Protective Net	9313941024	9313941024	
23	Base Assy (Painted)	9313987015	9313987015	
24	Top Panel (Painted)	9313989026	9313989026	
25	Cabinet Left (Painted)	9313992019	9313992019	
26	Cabinet Right (Painted)	9313995034	9313995034	
27	3-Way Valve Assy	9314022012	9314022012	
29	4-Way Valve Assy	9314093012	9314093012	
32	Compressor Assy	9315206015	9315206015	
36	Cover (Inverter Case)	9314507014	9314507014	
37	2-Way Valve Assy	9314554018	9314554018	
38	Pulse Motor Valve Assy	9314557019	9314557019	
39	Fan Motor	9602111015	9602111015	
40	Inverter PCB Assy	9707039047	9707039054	
41	Expansion Valve Coil	9900057039	9900057039	
42	Thermistor Assy	9900148027	9900148027	
43	Thermistor (Outdoor Temp)	9900210038	9900210038	
45	Solenoid	9970033018	9970033018	
46	Condenser Assy	9314033018	9314106019	
---	Emblem Rear	9315210012	9315210012	

## STANDARD ACCESSORIES

Name and Shape	Part No.
Wall hook bracket 	9310001004
Remote control unit 	9315027047
Remote control unit holder 	9305642045
Battery (penlight) 	0600185527
Cloth tape 	9310519004
Tapping screw (big) (φ 4 x 25) 	0700076046
Tapping screw (small) (φ 3 x 12) 	0700019036
Air cleaning filter 	9312153015
	9311925033
Air cleaning filter frame 	9306602017



SPLIT TYPE  
ROOM AIR CONDITIONER  
WALL MOUNTED TYPE

# SERVICE MANUAL



Indoor unit	Outdoor unit
ASYB18LDC	AOYS18LDC
ASYB18LDC	AOYS18LDL

## CONTENTS

SPECIFICATIONS.....	1
DIMENSIONS .....	2
REFRIGERANT SYSTEM DIAGRAM . . . . .	3
CIRCUIT DIAGRAM .....	4
INDOOR PCB CIRCUIT DIAGRAM . . . . .	5
OUTDOOR PCB CIRCUIT DIAGRAM. . . . .	8
ERROR CONTENTS .....	10
DISASSEMBLY ILLUSTRATION .....	11
PARTS LIST.....	15
ACCESSORIES.....	17

# SPECIFICATIONS

## ELECTRICAL DATA

TYPE		COOL & HEAT INVERTER
INDOOR UNIT		ASYB18LDC
OUTDOOR UNIT		AOYS18LD_
COOLING CAPACITY		5.20 kW
HEATING CAPACITY		6.25 kW
POWER SOURCE		230 V
FREQUENCY		50 Hz
RUNNING CURRENT	COOLING	7.6 A
	HEATING	7.7 A
INPUT WATTS	COOLING	1.72 kW
	HEATING	1.73 kW
E.E.R.	COOLING	3.02 kW/kW
COP	HEATING	3.61 kW/kW
MOISTURE REMOVAL		2.8 L/hr
AIR CIRCULATION HIGH		700 m <sup>3</sup> /hr

## NOISE LEVEL

INDOOR UNIT (Cool / Heat)	High	45 dB / 42 dB
	Med	39 dB / 38 dB
	Low	33 dB / 33 dB
	Quiet	26 dB / 27 dB
OUTDOOR UNIT (Cool / Heat)		50 dB / 50 dB

## COMPRESSOR AND REFRIGERANT

TYPE		Hermetic type, 4 pole, 3 phase, DC inverter motor, Rotary
DISCRIMINATION		DA130AIF - 25F
REFRIGERANT R410A		1,150 g
FULL CHARGE	Pipe length 15 m	1,150 g
	20 m	1,250 g
ADDITIONAL CHARGE		20 g/m
MAXIMUM PIPING HEIGHT		15m

## DIMENSIONS

INDOOR UNIT	H x W x D	283 x 790 x 230 mm
OUTDOOR UNIT	H x W x D	578 x 790 x 300 mm

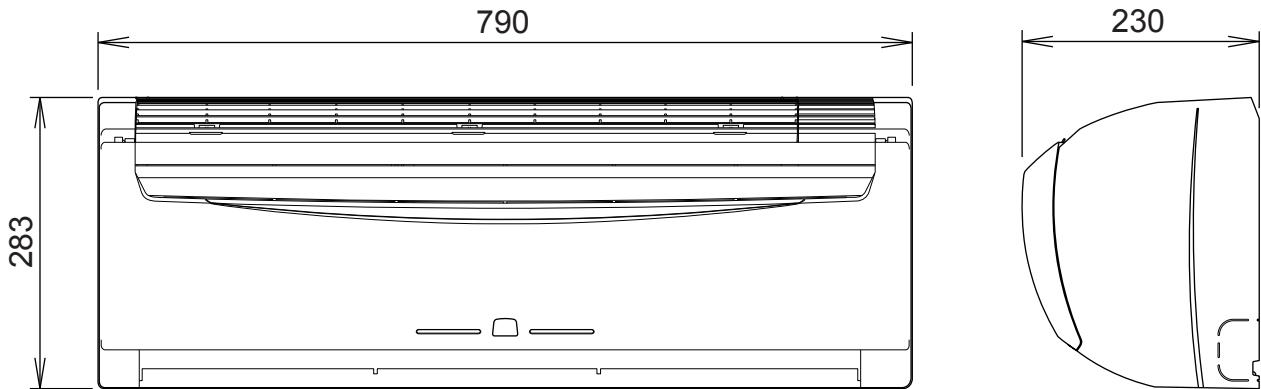
## WEIGHT

INDOOR UNIT	Gross / Net	12.5 kg / 10 kg
OUTDOOR UNIT	Gross / Net	44 kg / 40 kg

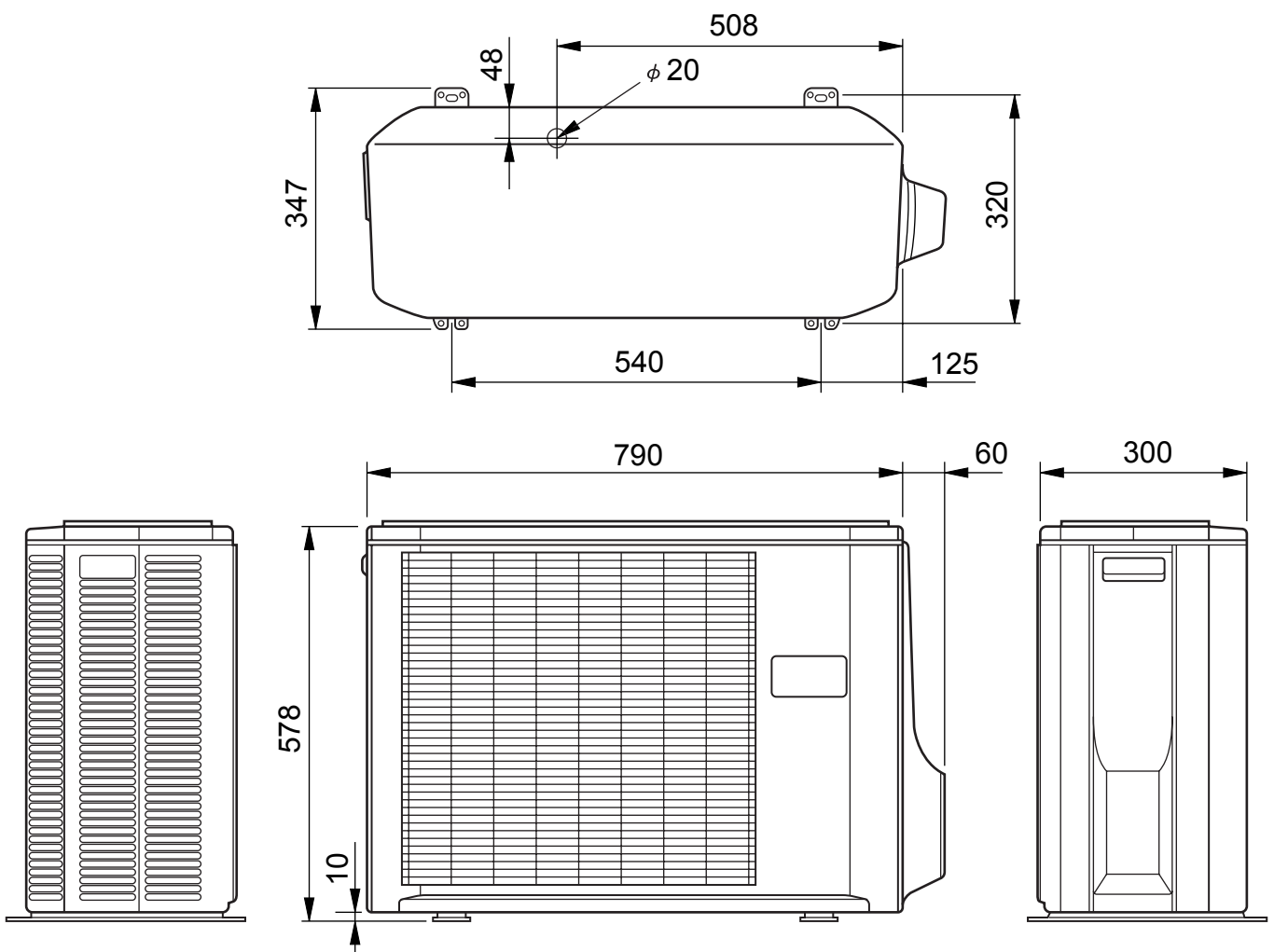
# DIMENSIONS

unit : mm

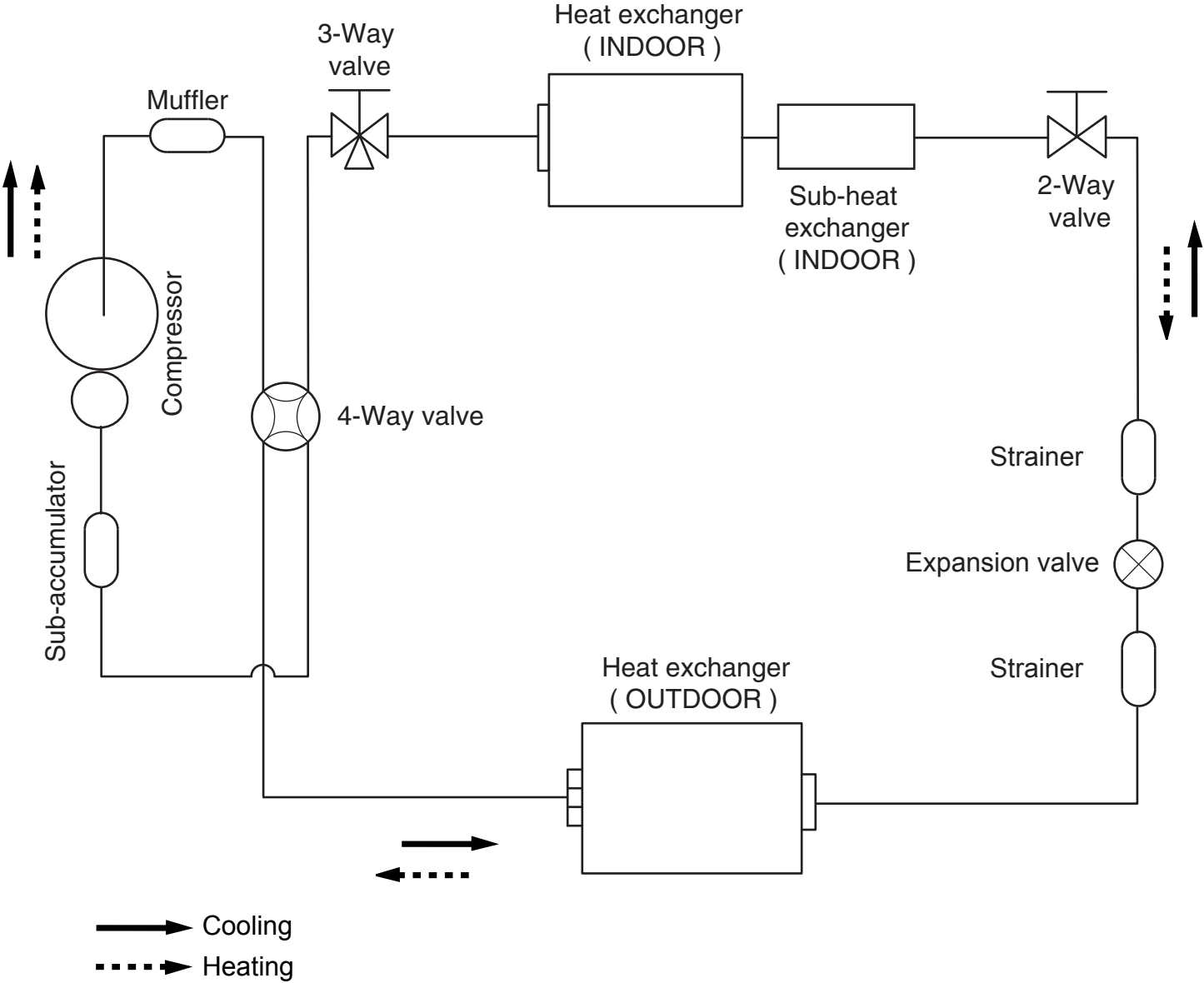
## INDOOR UNIT



## OUTDOOR UNIT



# REFRIGERANT SYSTEM DIAGRAM

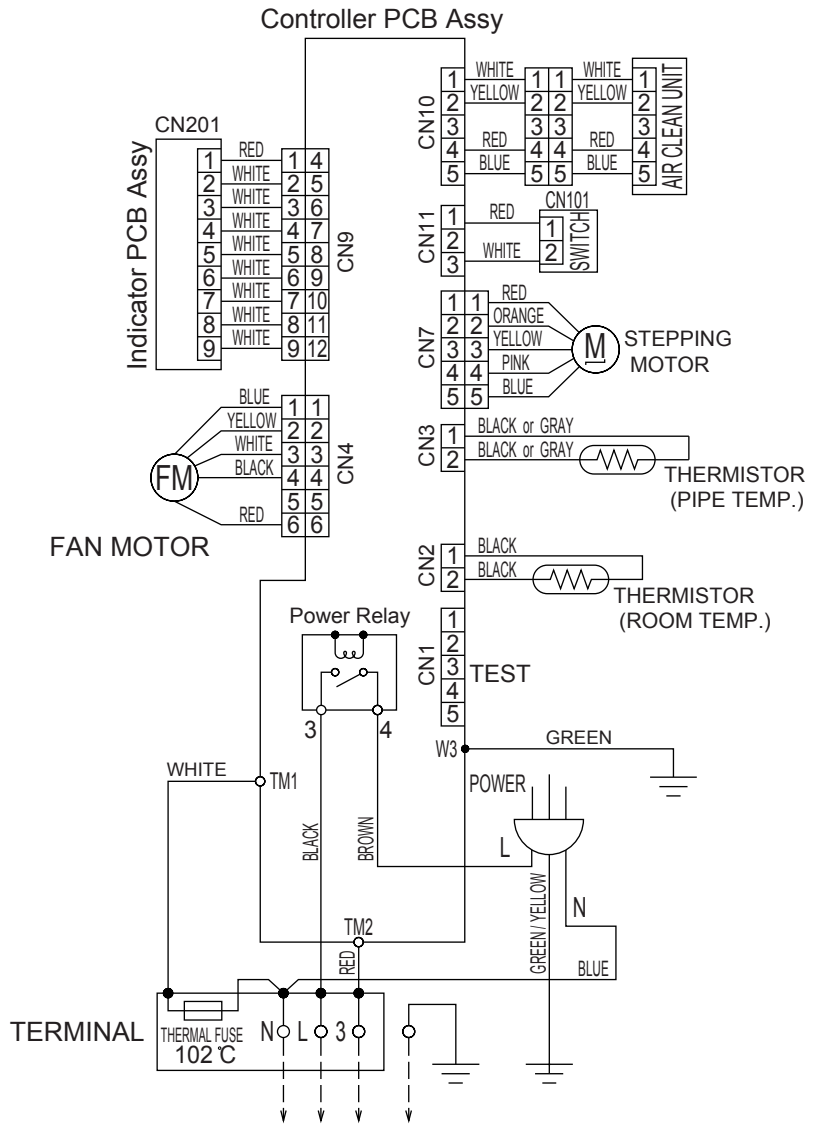


Refrigerant pipe diameter  
 Liquid : 1/4" (6.35 mm)  
 Gas : 1/2" (12.7 mm)

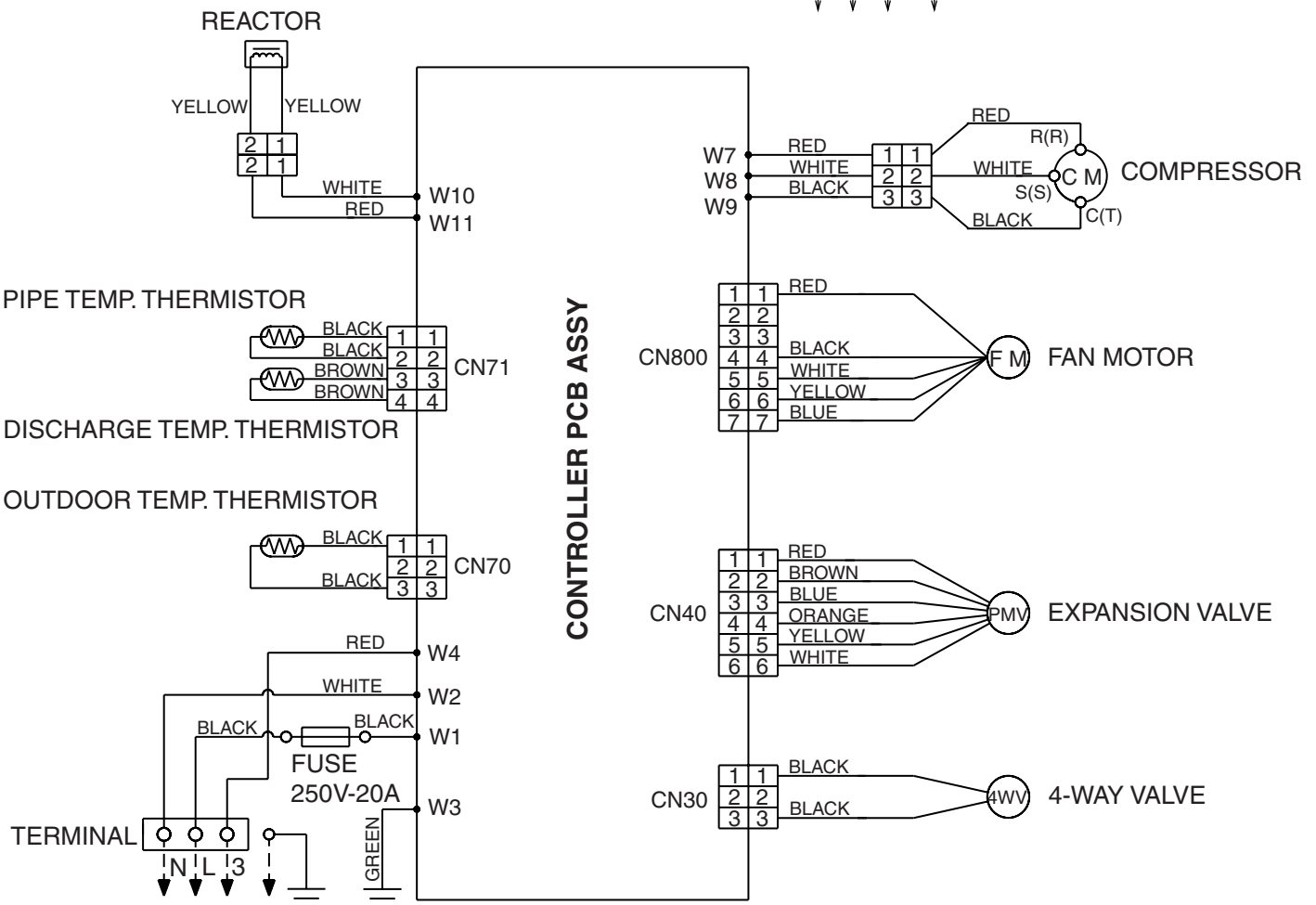


# CIRCUIT DIAGRAM

INDOOR UNIT



OUTDOOR UNIT

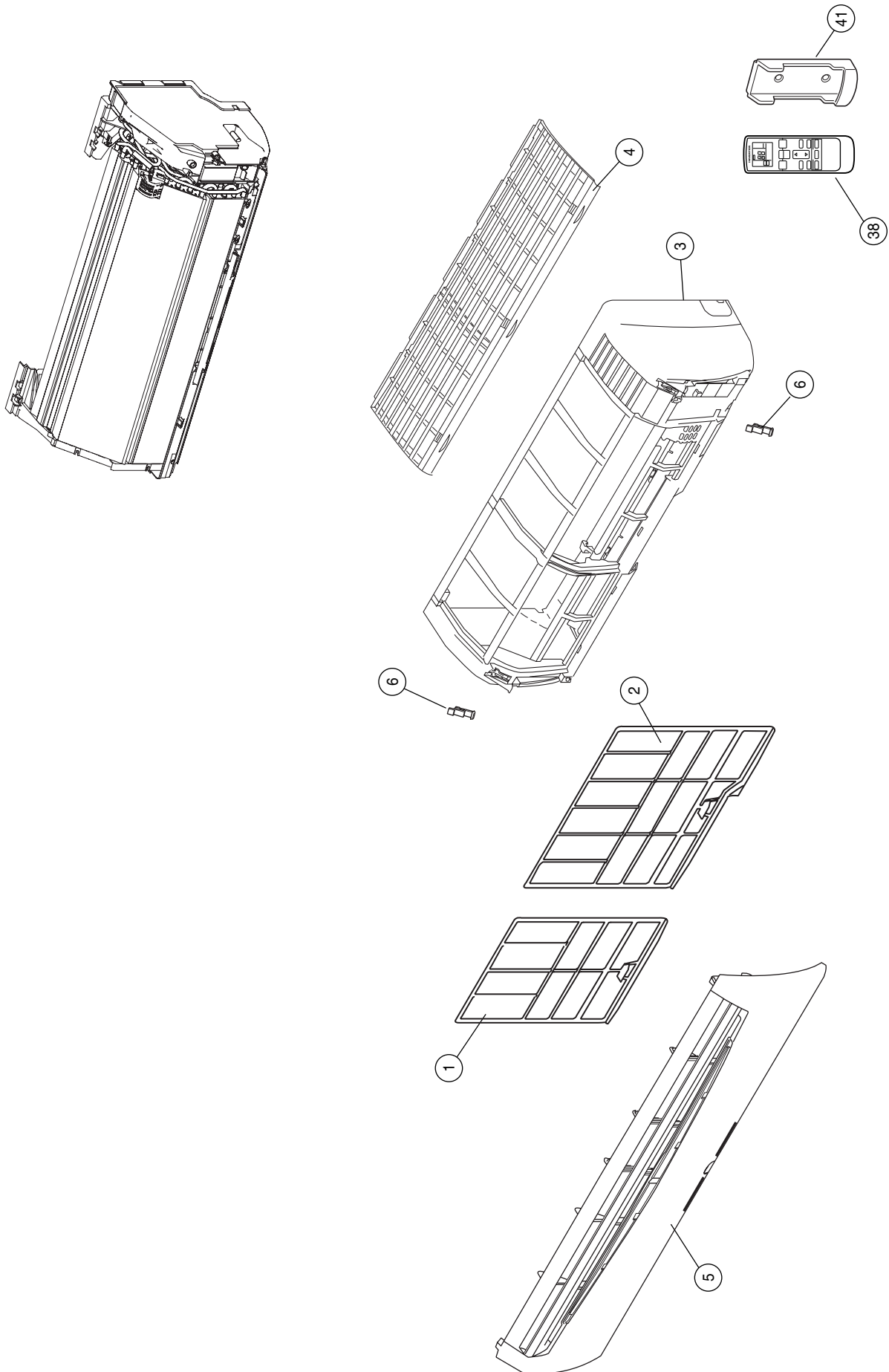


# ERROR CONTENTS

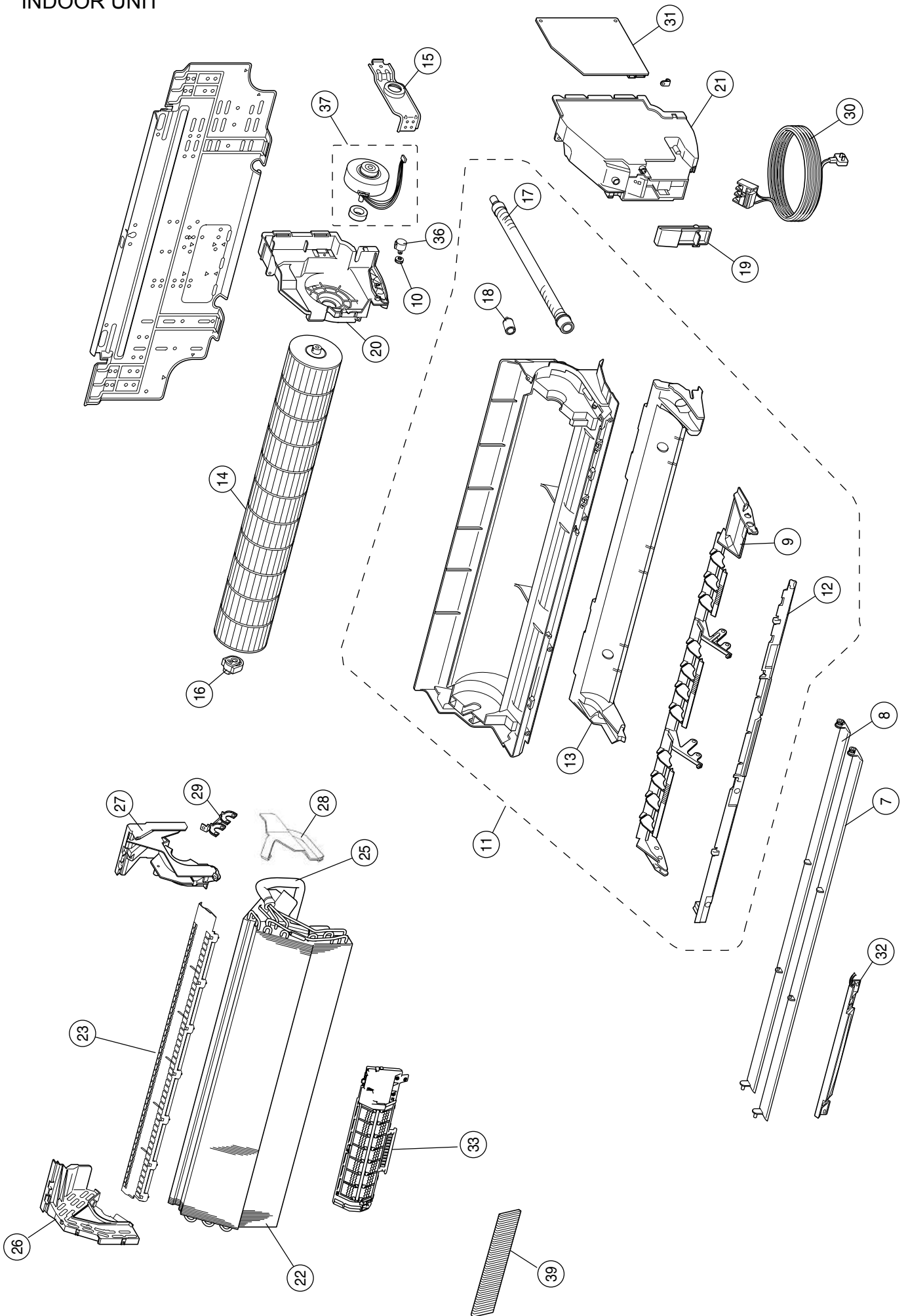
Error	Display		Error
	Operation LED	Timer LED	
Serial signal error	Off	2 flash	Serial signal (reverse) error, at operation start up
		3 flash	Serial signal (reverse) error, during operation
		4 flash	Serial signal (forward) error, at operation start up
		5 flash	Serial signal (forward) error, during operation
Indoor unit thermistor error	2 flash	2 flash	Indoor temperature thermistor open / short
		3 flash	Heat exchanger middle thermistor open / short
Outdoor unit thermistor error	3 flash	2 flash	Discharge thermistor open / short
		3 flash	Heat exchanger thermistor open
		4 flash	Outdoor temperature thermistor open / short
Indoor unit control error	4 flash	2 flash	Forced automatic SW welded
		3 flash	Main relay welded
		4 flash	Power interruption error
		7 flash	VDD permanent stop protection
		8 flash	reverse VDD permanent stop protection
Outdoor unit control error	5 flash	2 flash	Current trip error
		3 flash	CT abnormal
		5 flash	Compressor location detection error
		6 flash	Outdoor unit fan drive system abnormal
Indoor fan motor error	6 flash	2 flash	Abnormal lock
		3 flash	Abnormal rotation
Refrigerant cycle error	7 flash	2 flash	Discharge Temperature abnormal
		3 flash	Cooling high pressure abnormal rise
Optional function error	8 flash	4 flash	PFC circuit error
Model information error	0.1 sec on/off	0.1 sec on/off	Model information error

# DISASSEMBLY ILLUSTRATION

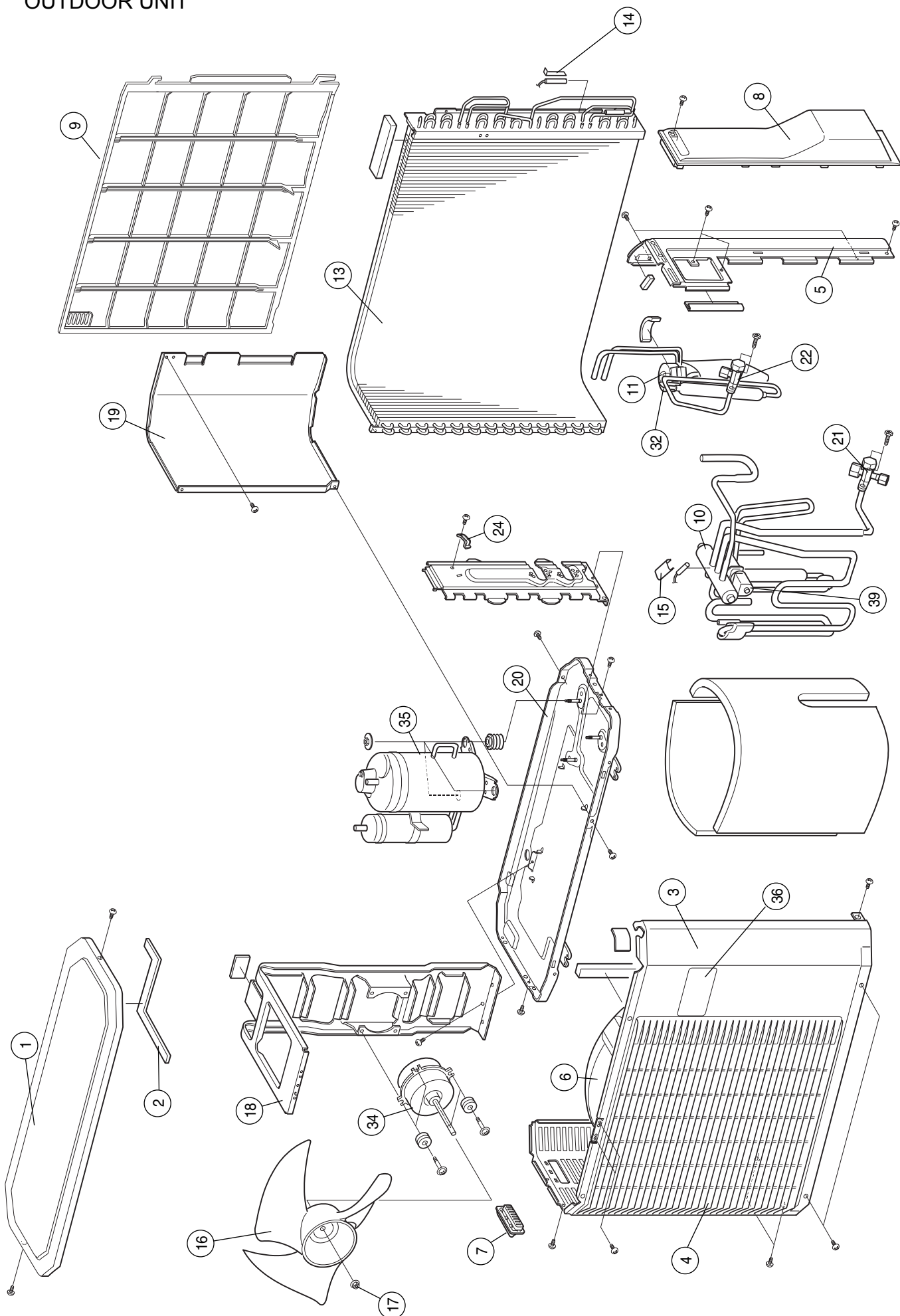
## INDOOR UNIT



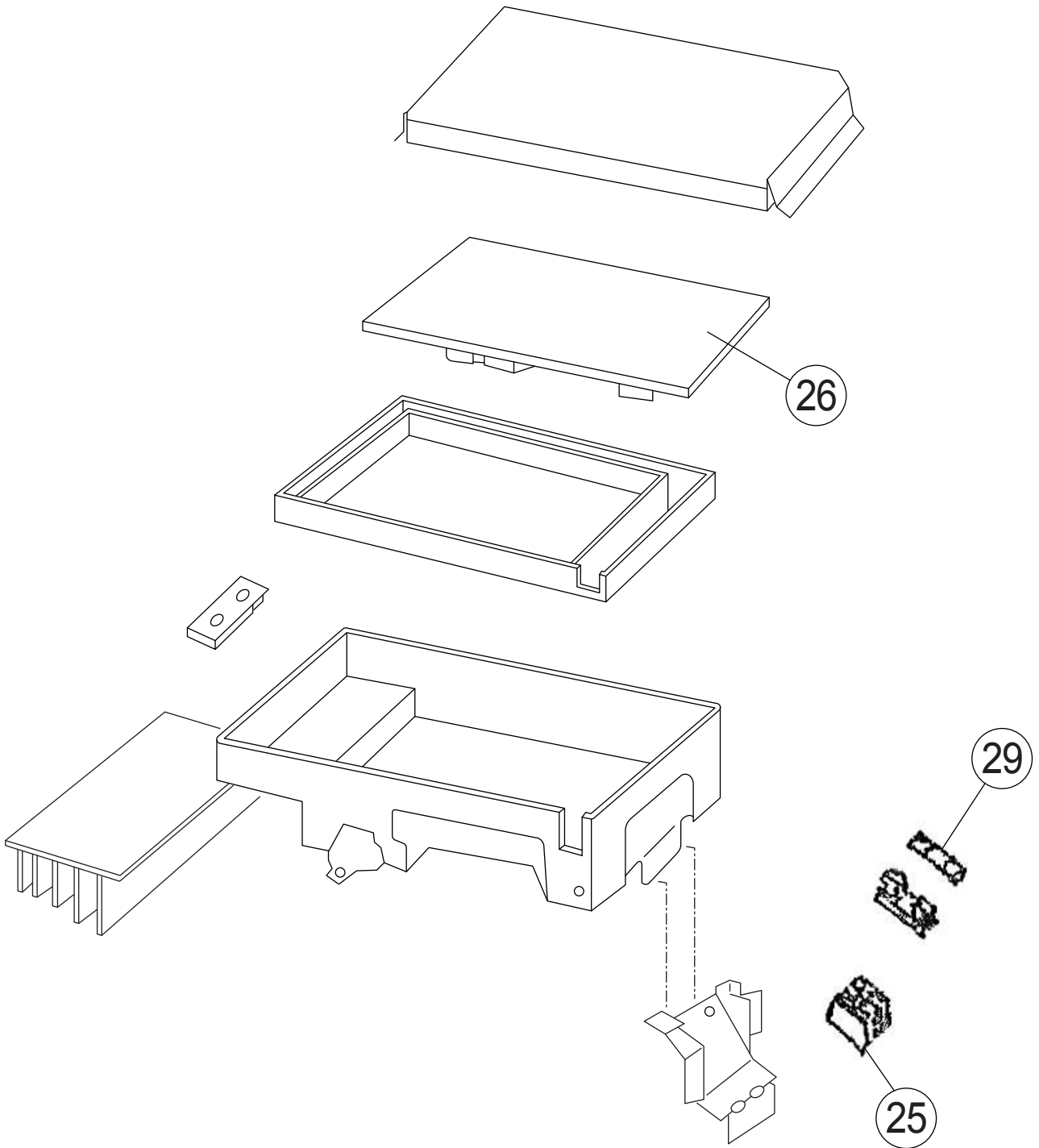
INDOOR UNIT



# OUTDOOR UNIT



OUTDOOR UNIT



# PARTS LIST

## INDOOR UNIT

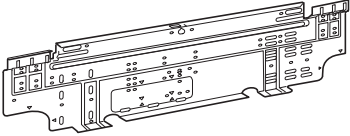

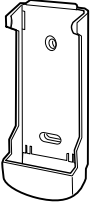

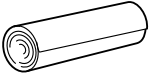

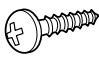
Ref.	Description	Part number
1	Air Filter-L	9312920013
2	Air Filter-R	9312921010
3	Front Panel	9312914029
4	Top Grill	9313948016
5	Intake Grille Assy	9313157074
6	Intake grill Clamp	9306755010
7	Louver-U	9309991033
8	Louver-Z	9309992030
9	Louver Holder Assy	9309993013
10	Gear A	9309994003
11	Casing Assy	9311354079
12	Casing Cover F	9309987005
13	Casing Cover B	9314160011
14	Crossflow Fan Assy	9307836015
15	Clamper (Motor)	9310102008
16	Bearing-C Assy	9306628017
17	Drain Hose Assy	9314147012
18	Drain Cap Assy	9314493010
19	Wire Clamper	9311946014
20	Box Switch	9312908011
21	Cover (Switch)	9312909018
22	Evaporator Total Assy	9313099015
23	Filter Guide	9313920012
25	H-Insulation (Pipe)-E	9304607007
26	Evaporator Holder-L Assy	9313174019
27	Evaporator Holder-R	9309983014
28	Water Seal	9312912018
29	Bracket (Evaporator )	9310464007
30	Power Cord Assy	9900339012
31	Controller PCB Assy	9707375015
32	Indicator PCB Assy	9705375024
33	Air Cleaner Assy	9313148041
36	Motor, Step	9900139025
37	Fan Motor, Brushless DC	9602109012
38	Remote Control	9315027047
39	Air Clean Filter	9313275013
41	Remote Control Holder	9305642045
--	Room Thermistor	9700801108
--	Pipe Thermistor	9702039042
--	Transformer, Switch T1	9705054011
--	Varister VA1	0000785020
--	Fuse FSL 250 3.15(EM)	0600376062
--	Fuse Holder FH1-FH2	0500158072
--	Relay DW12D1 K1	9704185013
--	Manual Auto Switch SW1	9703476013
--	Evaporator B Assy	9311275022

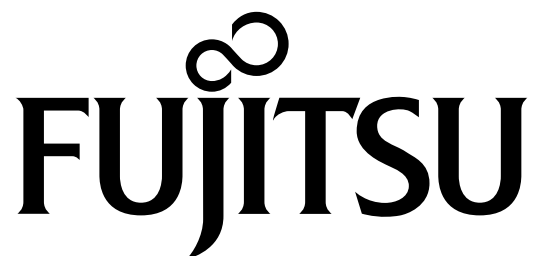
## OUTDOOR UNIT

Ref.	Description	Part number
1	Top Panel Assy	9309230057
2	Top Panel Seal	9309228016
3	Cabinet Assy	9314809040
4	Blow Down Grille	9308884015
5	Cabinet Right Assy	9309236011
6	Fan Ring	9308885012
7	Grip	9308880017
8	Switch Cover	9308882028
9	Protective Net	9315319012
10	4-Way Valve Assy	9315726018
11	Expansion Valve Assy	9311641018
13	Condenser	9311381037
14	Thermistor Spring-A	313728262708
15	Thermistor Spring	9300089012
16	Propeller Fan	9309909014
17	Nut	9304902003
18	Motor Bracket	9308872012
19	Separator Assy	9312971015
20	Base Assy, Painted	9308869081
21	3-Way Valve Assy	9315159014
22	2-Way Valve Assy	9313064013
24	Cord Clamp	9307271014
25	Terminal	9306489038
26	Inverter PCB Assy	9707039153
29	Fuse	0600382018
32	Expansion Valve Coil	9900057039
34	Fan Motor	9601725015
35	Compressor Assy	9313764012
36	Emblem	9315210012
39	Solenoid Coil	9970033018
--	IPM	9705720015
--	Thermistor Assy	9900148027
--	Outdoor Thermistor	9900210045



## ACCESSORIES

Name and Shape	Part number
Wall hook bracket 	9310001004
Remote control 	9315027047
Remote control holder 	9305642045
Battery (penlight) 	0600185527
Cloth tape 	9310519004
Tapping screw (big) (φ 4 x 25) 	0700076046
Tapping screw (small) (φ 3 x 12) 	0700019036



SPLIT TYPE  
ROOM AIR CONDITIONER  
WALL MOUNTED TYPE

# SERVICE MANUAL

Indoor unit	Outdoor unit
ASYB24LDC	AOYS24LDC
ASYB24LDC	AOYS24LDL



## CONTENTS

SPECIFICATIONS.....	1
DIMENSIONS.....	2
REFRIGERANT SYSTEM DIAGRAM.....	3
CIRCUIT DIAGRAM.....	4
INDOOR PCB CIRCUIT DIAGRAM.....	5
OUTDOOR PCB CIRCUIT DIAGRAM.....	8
ERROR CONTENTS.....	13
DISASSEMBLY ILLUSTRATION.....	14
PARTS LIST.....	20
ACCESSORIES.....	22

# SPECIFICATIONS

INDOOR UNIT	ASYB24LDC
OUTDOOR UNIT	AOYS24LD_
COOLING CAPACITY	7.10 kW
HEATING CAPACITY	8.10 kW

## ELECTRICAL DATA

POWER SOURCE	230 V	
FREQUENCY	50Hz	
RUNNING CURRENT	COOLING	9.7 A
	HEATING	9.8 A
INPUT WATTS	COOLING	2.21 kW
	HEATING	2.24 kW
E.E.R.	COOLING	3.21 kW/kW
COP	HEATING	3.62 kW/kW
MOISTURE REMOVAL	3.0 L/hr	
AIR CIRCULATION HIGH	1,170 m <sup>3</sup> /hr	

## COMPRESSOR

TYPE	Hermetic type, 4 pole, DC inverter motor, Scroll	
DISCRIMINATION	5CS160XAA23	
REFRIGERANT	R410A	1,600 g

## FAN MOTOR

POWER SOURCE	230 V	
INDOOR UNIT	HIGH	1,380 r.p.m.
	MED	1,170 r.p.m.
	LOW	980 r.p.m.
	QUIET	860 r.p.m.
OUTDOOR UNIT	COOL	1,000 r.p.m.
	HEAT	1,050 r.p.m.

## DIMENSIONS

INDOOR UNIT	H x W x D	320 x 998 x 228 mm
OUTDOOR UNIT	H x W x D	578 x 790 x 315 mm

## WEIGHT

INDOOR UNIT	Gross / Net	18 kg / 14 kg
OUTDOOR UNIT	Gross / Net	48 kg / 44 kg

## NOISE LEVEL

INDOOR UNIT	HIGH	Cool 49 dB / Heat 48 dB
	MED	Cool 43 dB / Heat 42 dB
	LOW	Cool 38 dB / Heat 37 dB
	QUIET	Cool 33 dB / Heat 33 dB
OUTDOOR UNIT		Cool 52 dB / Heat 54 dB

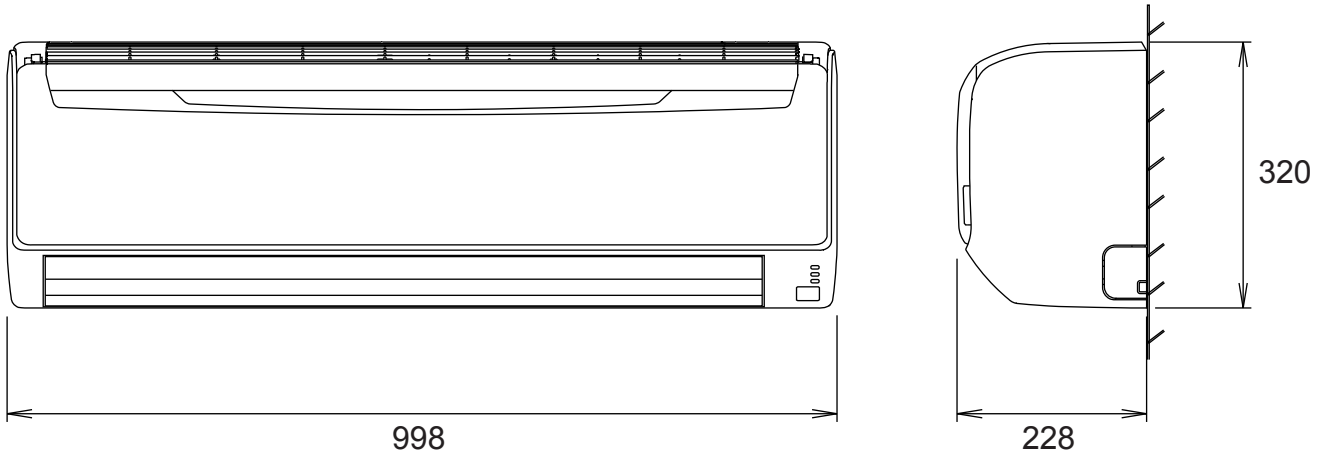
## REFRIGERANT CHARGE (R410A)

FULL CHARGE	Pipe Length	15 m	1,600 g
		20 m	1,700 g
		25 m	1,800 g
		30 m	1,900 g
ADDITIONAL CHARGE			20 g / m

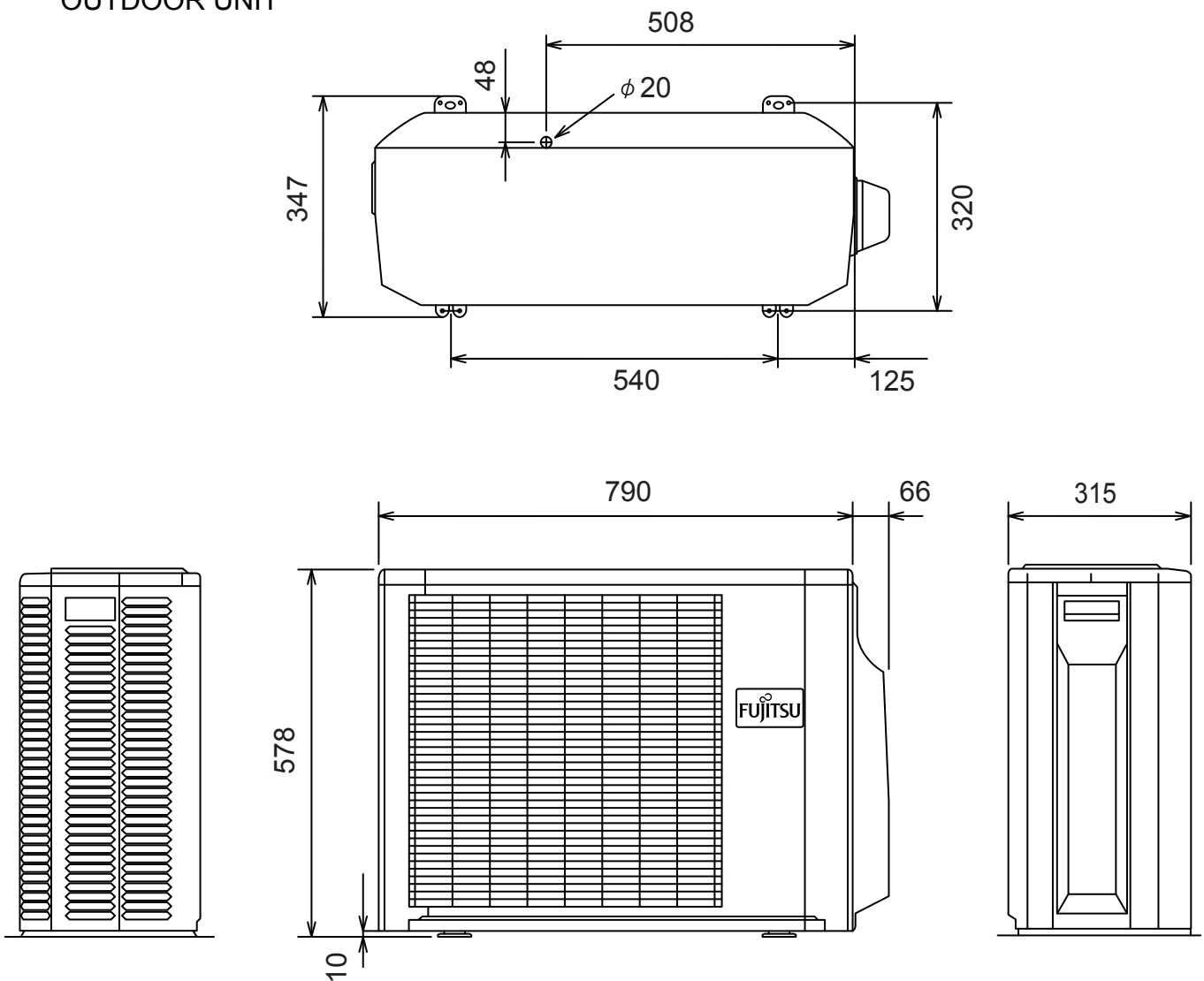
# OUTLINE AND DIMENSIONS

Unit : mm

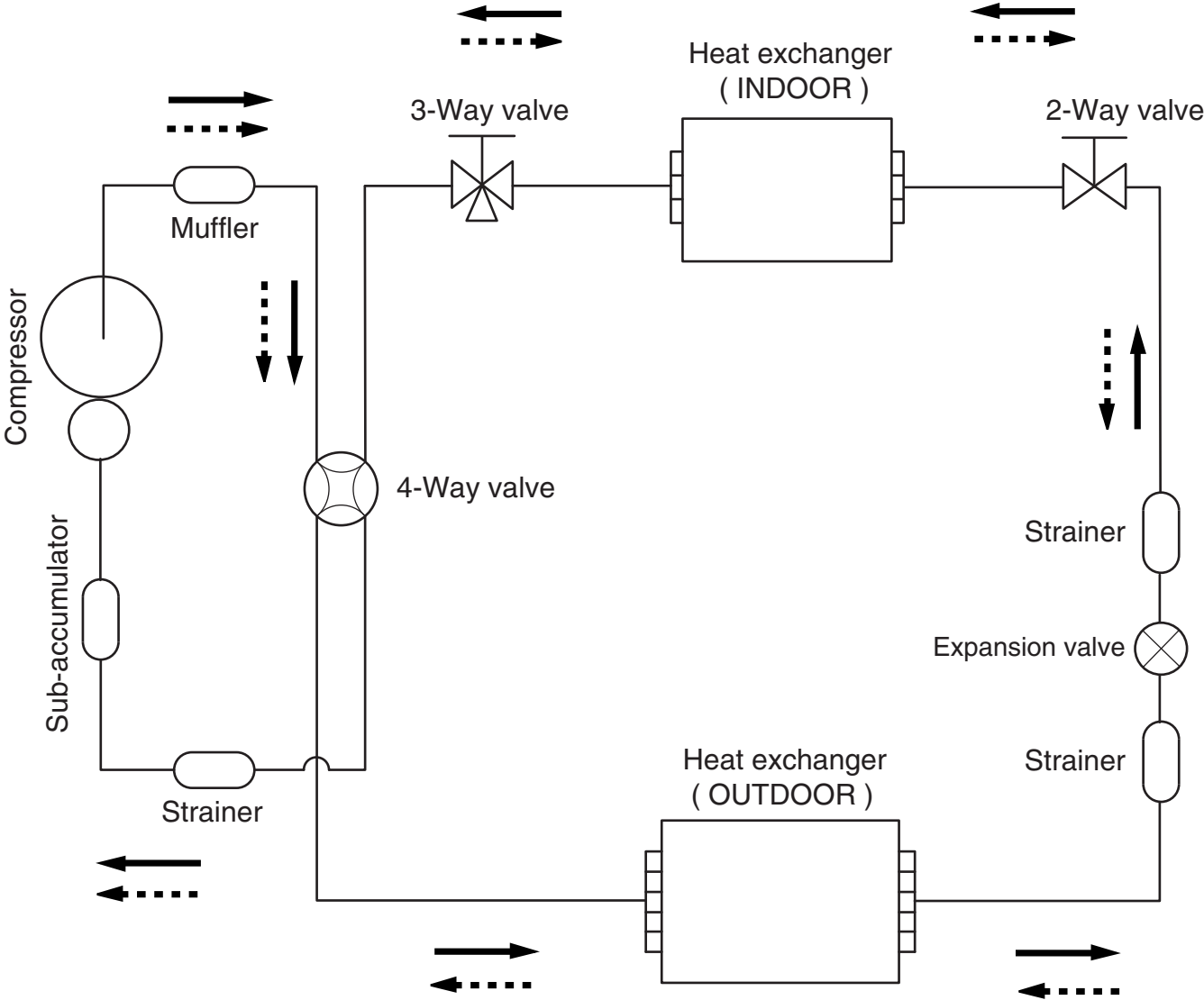
## INDOOR UNIT



## OUTDOOR UNIT



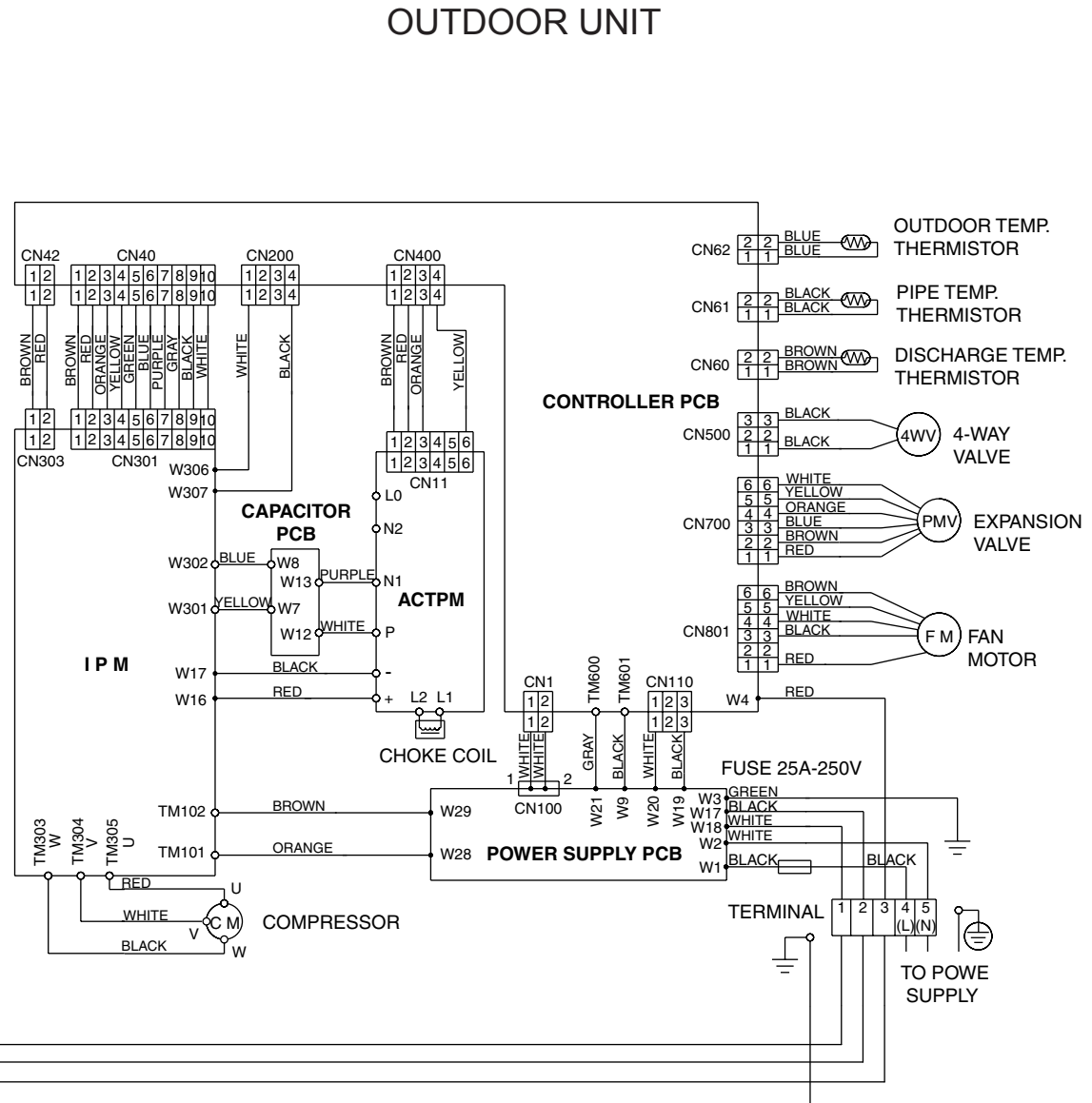
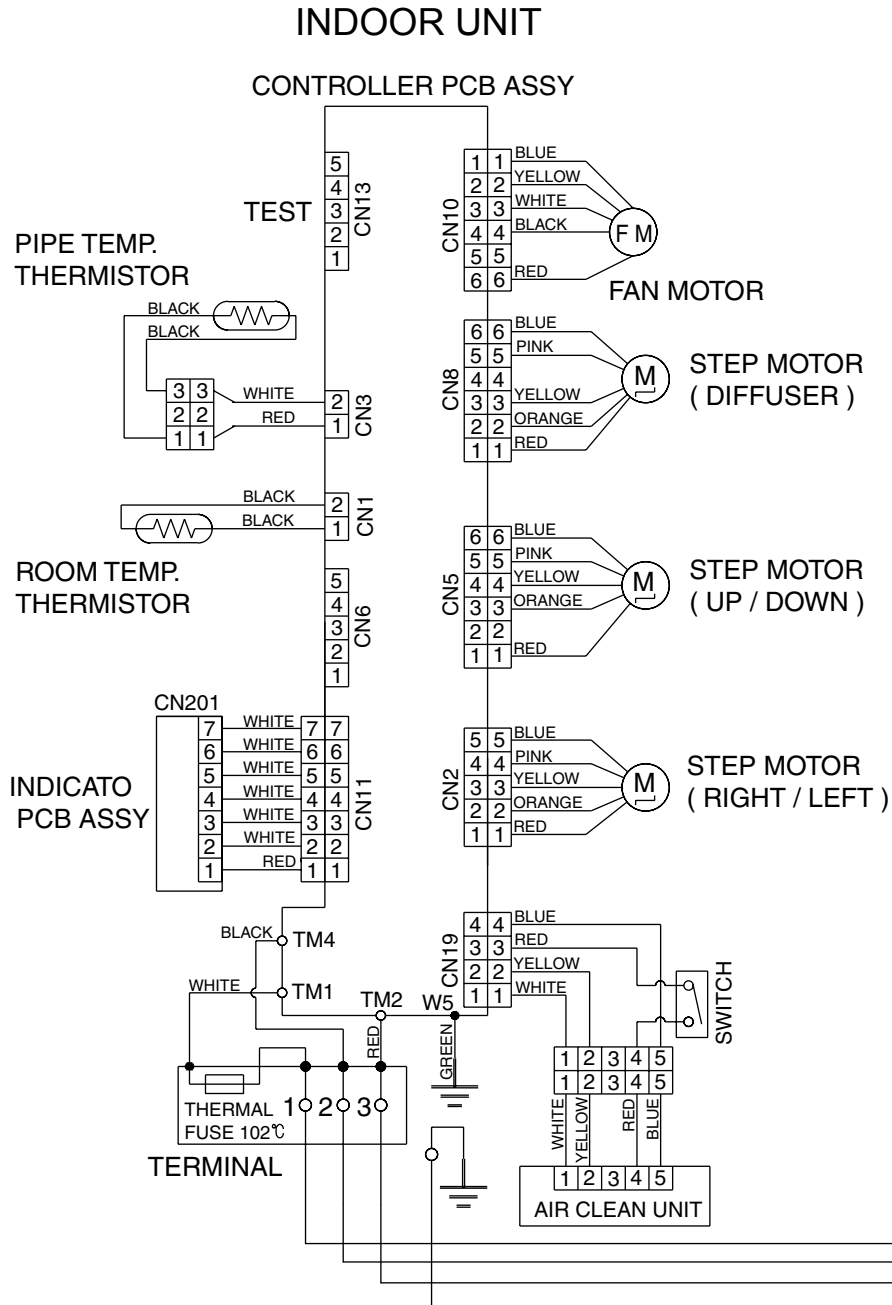
# REFRIGERANT SYSTEM DIAGRAM



—————> Cooling  
 - - - - -> Heating

Refrigerant pipe diameter  
 Liquid : 1/4" (6.35 mm)  
 Gas : 5/8" (15.88 mm)

# CIRCUIT DIAGRAM

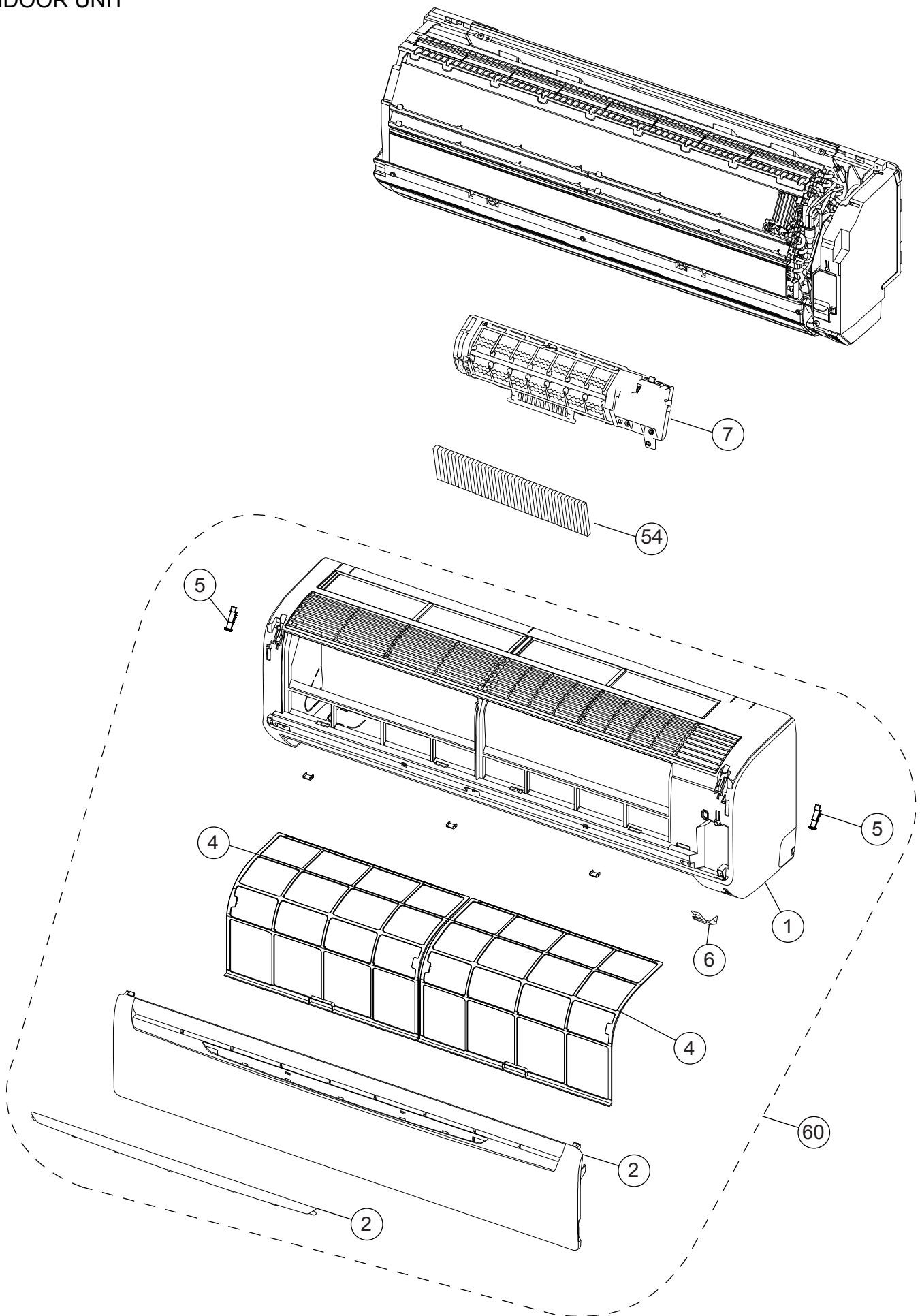


# ERROR CONTENTS

Error	Display		Error
	Operation LED	Timer LED	
Serial signal error	Normal	2 flash	Serial signal (reverse) error, at operation start up
		3 flash	Serial signal (reverse) error, during operation
		4 flash	Serial signal (forward) error, at operation start up
		5 flash	Serial signal (forward) error, during operation
		8 flash	Wired remote controller error
Indoor unit thermistor error	2 flash	2 flash	Indoor temperature thermistor open / short
		3 flash	Heat exchanger middle thermistor open / short
Outdoor unit thermistor error	3 flash	2 flash	Discharge thermistor open / short
		3 flash	Heat exchanger thermistor open
		4 flash	Outdoor temperature thermistor open / short
		8 flash	Compressor temperature thermistor open / short
Indoor unit control error	4 flash	2 flash	Forced automatic SW welded
		3 flash	Main relay welded
		4 flash	Power interruption error
		7 flash	VDD permanent stop protection
		8 flash	reverse VDD permanent stop protection
Outdoor unit control error	5 flash	2 flash	Current trip error
		3 flash	CT abnormal
		5 flash	Compressor location detection error
		6 flash	Outdoor unit fan drive system abnormal
Indoor fan motor error	6 flash	2 flash	Abnormal lock
		3 flash	Abnormal rotation
Refrigerant cycle error	7 flash	2 flash	Discharge Temperature abnormal
		3 flash	Cooling high pressure abnormal rise
		5 flash	Pressure switch trouble
Optional function error	8 flash	2 flash	Active filter voltage trouble (second time)
		3 flash	Active filter voltage trouble (first time)
		4 flash	PFC circuit error
Model information error	0.1 sec on/off	0.1 sec on/off	Model information error

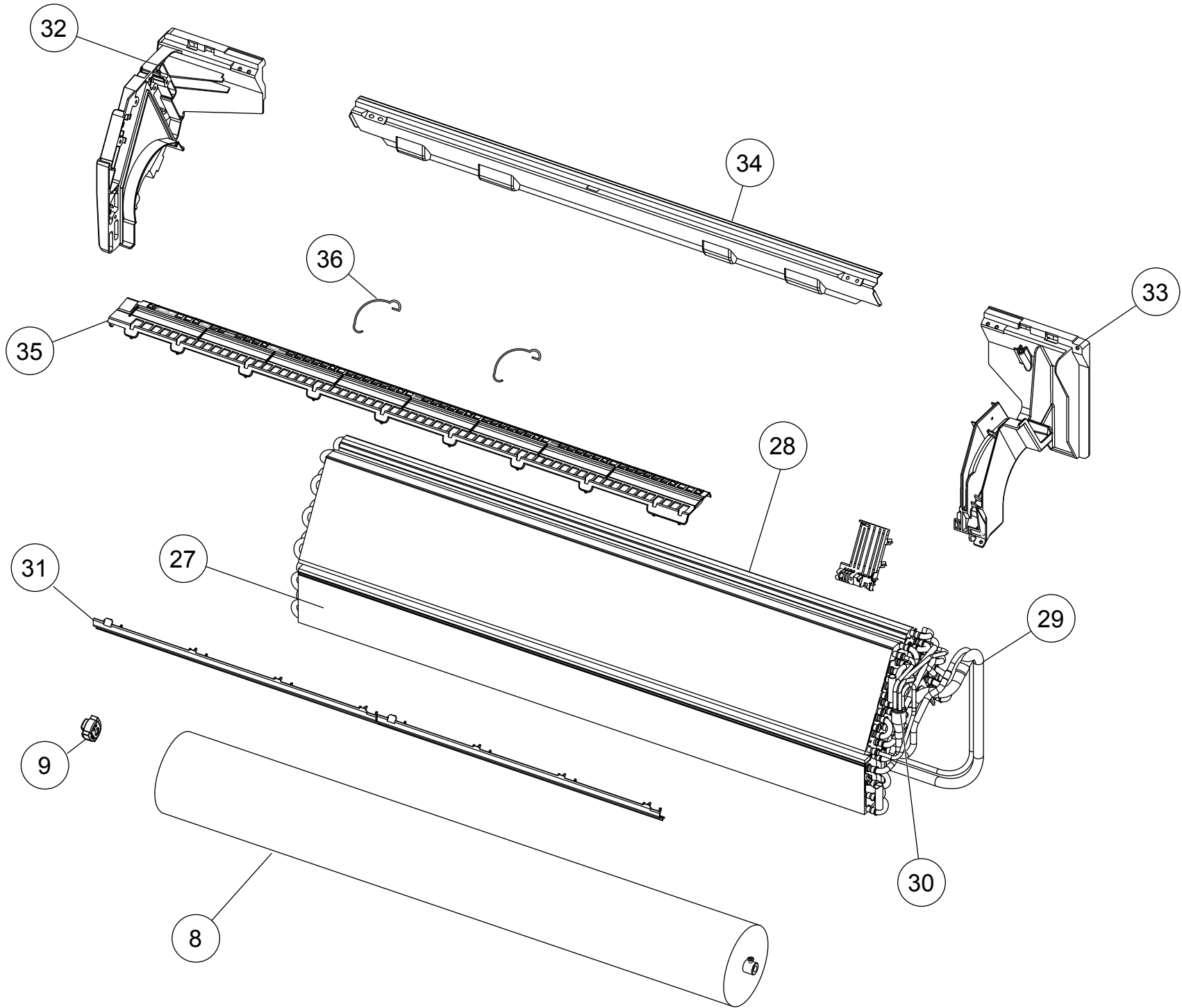
# DISASSEMBLY ILLUSTRATION

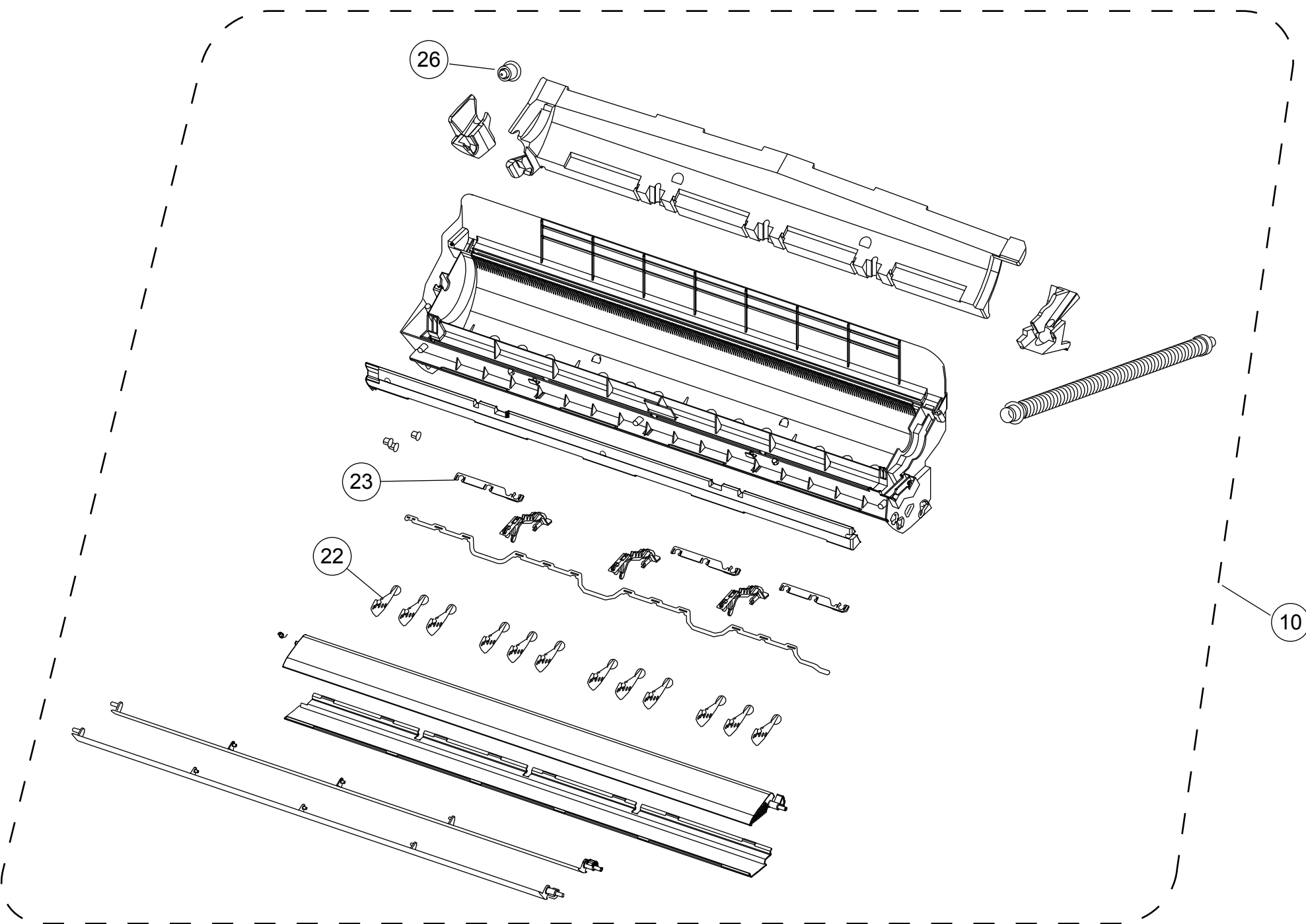
## INDOOR UNIT



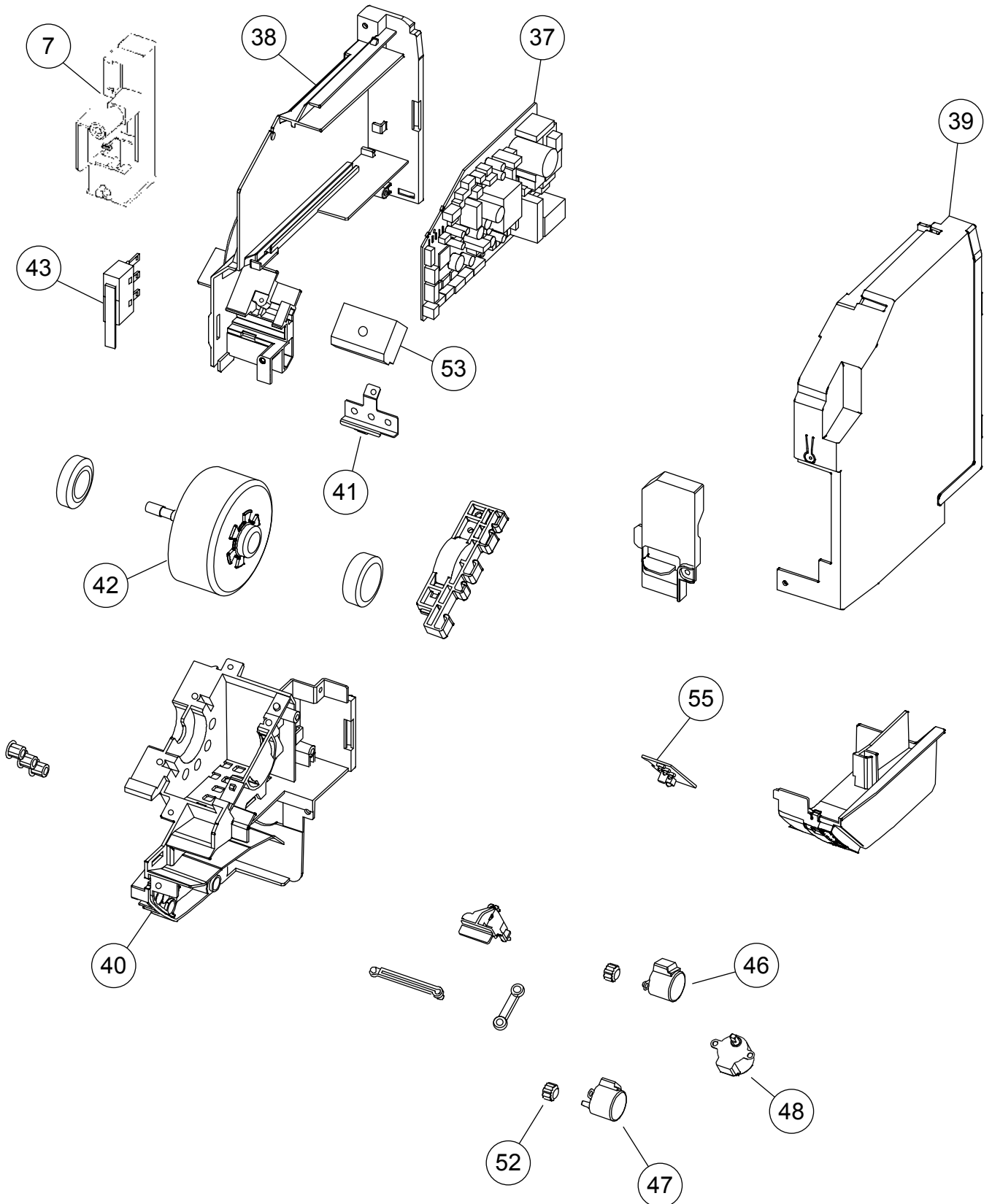


INDOOR UNIT

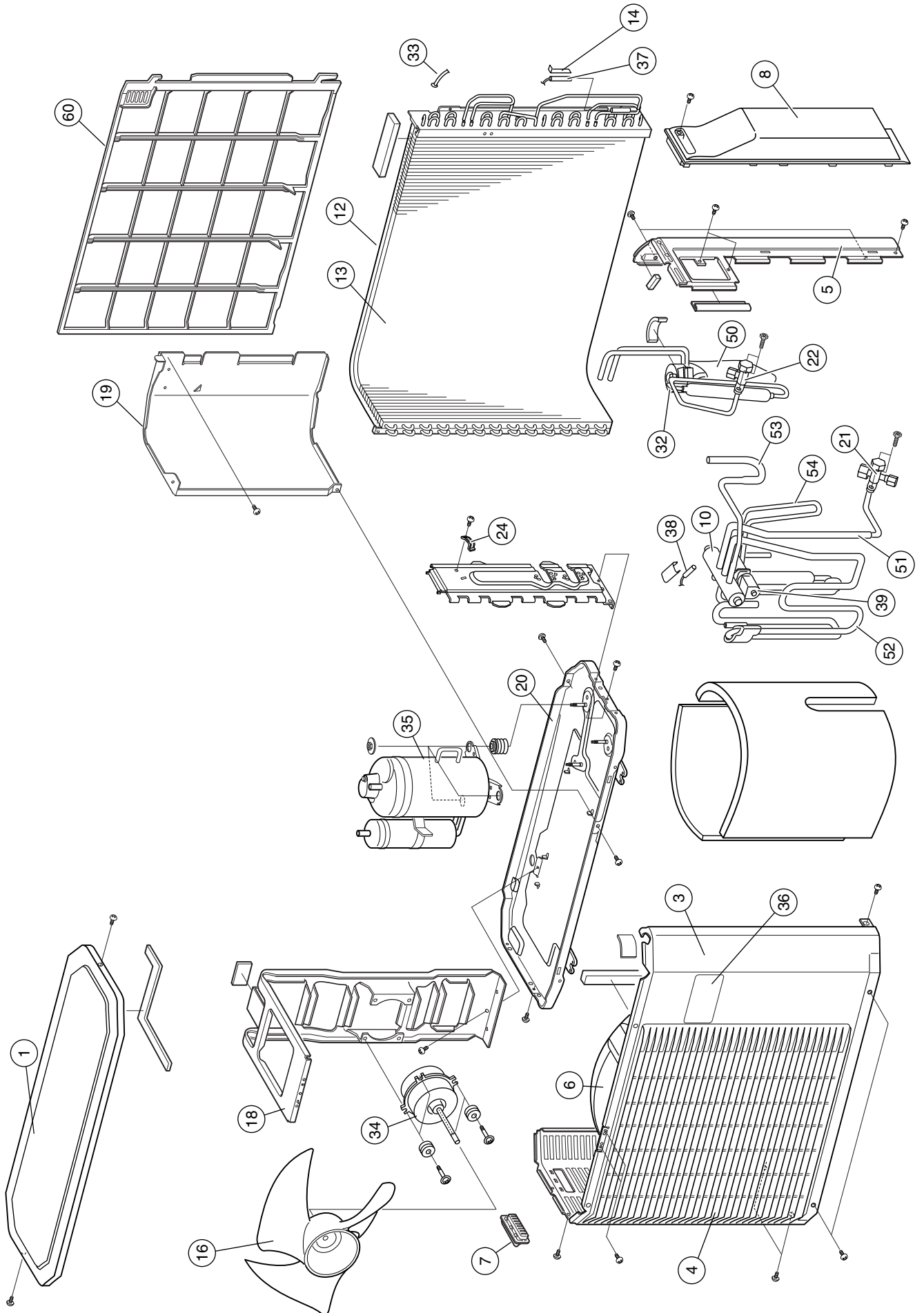




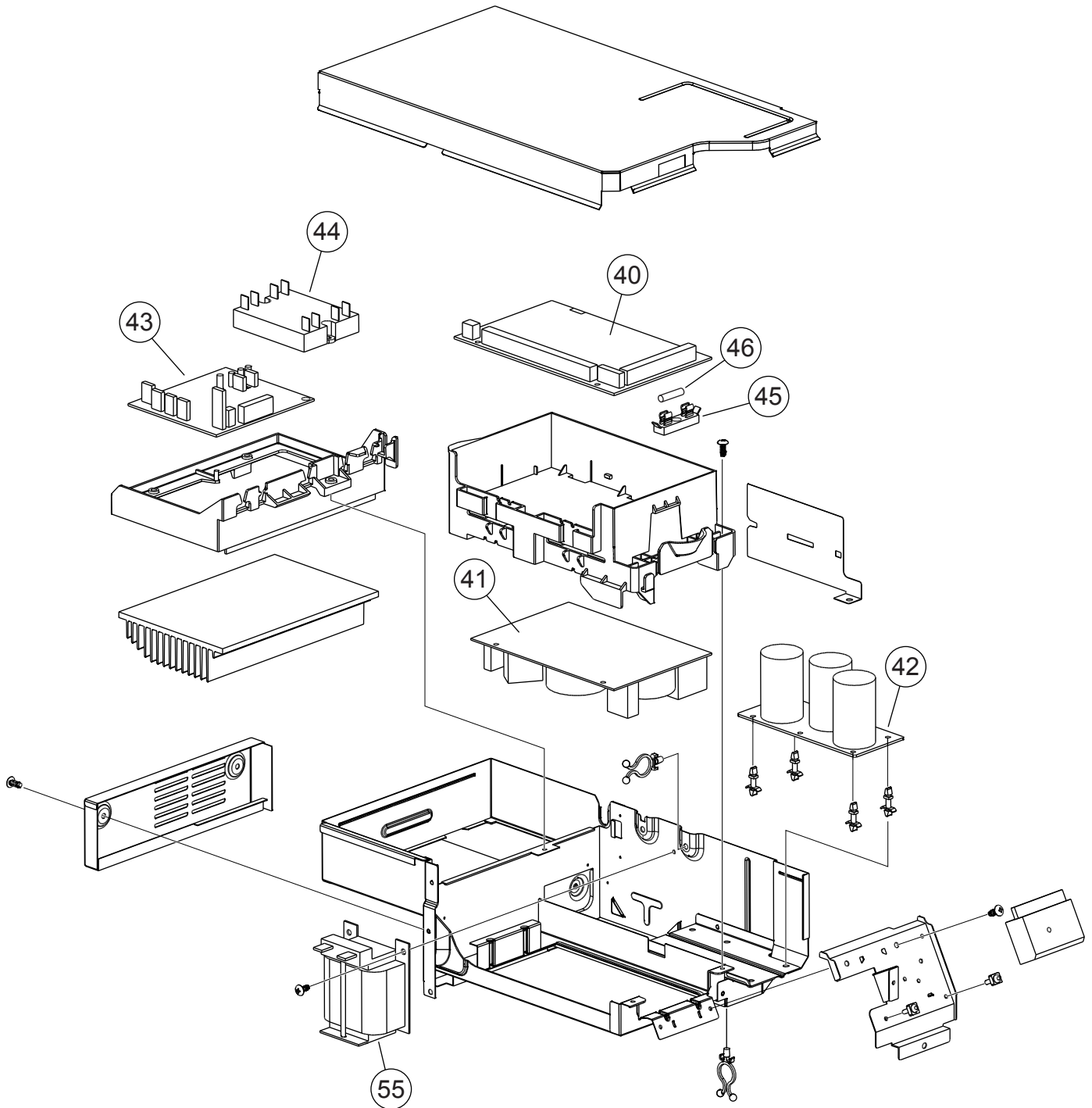
# INDOOR UNIT



# OUTDOOR UNIT



# OUTDOOR UNIT



# PARTS LIST

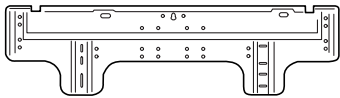

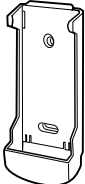

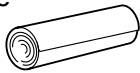


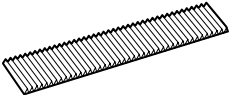
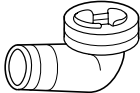
## INDOOR UNIT

Ref	Description	Part No
1	Front Panel	9314991042
2	Intake Grille Assy	9315336071
4	Air Filter	9315014016
5	Clamper Grille	9306755010
6	Receiver Window	9315010018
7	Air Cleaner Assy	9313148041
8	Crossflow Fan Assy	9315024015
9	Bearing C Assy	9306628017
10	Casing Assy	9315331014
22	R and L Louver	9311997016
23	Spacer B	9312441013
26	Drain Cap	9367677009
27	Evaporator Assy	9315347015
28	Evaporator Assy B	9315349019
29	Connection Pipe Assy	9315354013
30	Distributor Assy	9315350015
31	Water Seal	9315251015
32	Evaporater Holder R	9314994012
33	Evaporater Holder L	9314995019
34	Rear Bracket	9315022011
35	Filter Guide	9315013019
36	Filter Guard	9315411013
37	Controller PCB Assy	9707090154
38	Control Box	9314996016
39	Control Cover	9314997013
40	Motor Case	9314998010
41	Terminal Earth	9315028013
42	DC Brushless Motor	9602163014
43	SWITCH MICRO	9900286026
46	Motor, Step	9900384029
47	Motor, Step	9900384036
48	Motor, Step	9900139063
52	Gear A	9309994003
53	Terminal	9900385019
54	Air Clean Filter	9313275013
55	Indicator PCB Assy	9707210019
60	Front Panel Total Assy	9315335104
---	Remote Controller	9315027122

## OUTDOOR UNIT

Ref	Description	Parts No.
1	Top Panel Assy	9309230064
3	Cabinet Sub Assy	9314809019
4	Blow Grill	9308884015
5	Cabinet Right Assy	9309236028
6	Fan Ring	9308885012
7	Grip	9308880017
8	Switch Cover Assy	9309237032
10	4-Way Valve	9900163013
12	Condenser Assy B	9315303011
13	Condenser Assy	9315302014
14	Thermistor Spring A	313728262708
16	Propeller Fan	9309909014
18	Motor Bracket Assy	9313432027
19	Separater	9315213013
20	Base Assy	9315296023
21	3-Way Valve Assy	9315414014
22	2-Way Valve Assy	9313062019
24	Cord Clamp	9307271014
32	Expansion Valve Coil	9900057039
33	Outdoor Temp. Thermistor	9703516108
34	DC Brushless Motor	9602110018
35	Compressor Assy	9315297013
36	Emblem Rear	9315210012
37	Heat Exchanger Thermistor	9704220059
38	Discharge Thermistor	9704219091
39	Solenoid	9970055010
40	Inverter PCB Assy	9707121209
41	Capacitor PCB Assy	9707128055
42	Power PCB Assy	9707129052
43	TR PCB Assy	9707125054
44	ACTPM	9703457012
46	Fuse	0600086039
45	Fuse Holder	0500158072
50	Pulse Motor Valve Assy	9315310019
51	Joint Pipe (3 Way Valve) Assy	9315308016
52	Pipe (Condenser Outlet) Assy	9315304018
53	Pipe (Condenser Inlet) Assy	9315305015
54	Discharge Pipe Assy	9315312013
55	Chock Coil	9900366018
60	Protective Net	9315033017

## ACCESSORIES

Name and Shape	Part No.
Wall hook bracket 	9315023018
Remote control 	9315027122
Remote control unit holder 	9305642045
Battery (penlight) 	0600185534
Cloth tape 	9310519004
Tapping screw (big) 	0700076046
Tapping screw (small) 	0700019036
Air cleaning filter 	9313275013
Drain pipe 	9301102000