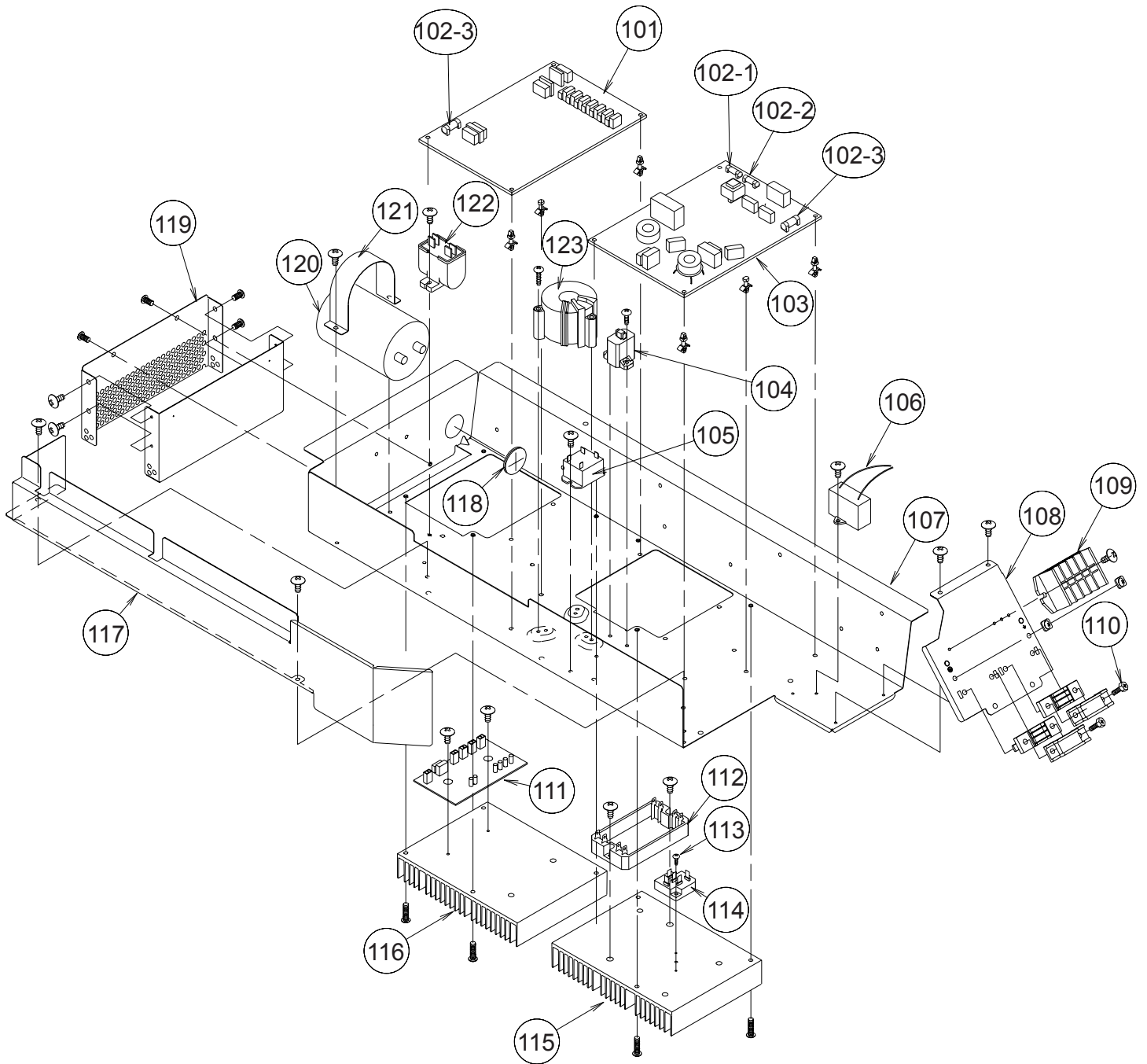


Model : AOY54UJAMR
AOY54FJAMR



MODEL : AOY54UJAMR
AOY54FJAMR

Ref No.	Description	Parts No.	Parts No.	Ord Q'ty	Ref No.	Description	Parts No.	Parts No.	Ord Q'ty
		AOY54UJAMR	AOY54FJAMR				AOY54UJAMR	AOY54FJAMR	
1	DRAIN CAP	313166024302	-----		36	THERMISTOR SPRING	9372140017	9372140017	
2	AUXILIARY PIPE ASSY	9357038001	9357038001		37	DISCHAR PIPE A ASSY	9372510018	9372510018	
3	DRAIN PIPE SUB ASSY	9303029015	-----		38	SUCTION PIPE A ASSY	9372514016	9372514023	
4	ACCESSORY SUB ASSY	9372773017	9357038001		39	SUCTION PIPE C	9373004011	9373004011	
5	CABINET(L) SUB ASSY	9372769010	9372769010		40	SUCTION PIPE B ASSY	9372516010	9372516010	
6	TOP PLATE SUB A SSY	9372771013	9372771013		41	SUCTION THERMISTOR	9900192013	9900192013	
7	PROTECTION NET(COND)	9372286012	9372286012		42	ACCUMULATOR ASSY	9372700013	9372700013	
8	FRONT PANEL SUB ASSY	9372768013	9372768013		43	MOTOR BRAKET A	9372270011	9372270011	
9	CABINET (R) SUB ASSY	9372770047	9372770047		44	MOTOR BRAKET B	9372271018	9372271018	
10	PANEL(TOP) SUB ASSY	9373347019	9373347019		45	MOTOR BRAKET C	9372272015	9372272015	
11	VALVE COVER	9372796016	9372796016		46	MOTOR BRAKET D	9372273012	9372273012	
12	FAN GUARD SUB ASSY	9373056010	9373056010		47	SEPA WALL C SUB ASSY	9373483014	9373483014	
13	COND B ASSY	9372267028	9372267028		48	SEPA WALL SUB ASSY	9372767016	9372767016	
14	COND A ASSY	9372267011	9372267011		49	COMPRESSOR ASSY	9372716014	9372716014	
15	OUT TEMP THERMISTOR	9703516078	9703516078		50	SPECIAL NUT M8	9355091008	9355091008	
16	BRACKET(THERMISTOR)	9367369010	9367369010		51	COMP PLATE ASSY	9372274019	9372274019	
17	HEAT EX THERMISTOR	9900193010	9900193010		52	3-WAY VALVE ASSY(ϕ 9.53)	9372205082	9372205082	
18	DISTRIBUTOR A ASSY	9372482018	9372482018		53	BOLT, HEX.SOCKET	301210060360	301210060360	
19	CONDENSING PIPE ASSY	9372522011	9372677018		54	3-WAY VALVE ASSY(ϕ 19.05)	9372205150	9372205150	
20	INLET PP(COND)A ASSY	9373461012	9373461012		55	MOTOR,INDUCT	9601705017	9601705017	
21	INLET PP(COND)C ASSY	9373465010	9373465010		56	PROPELLER FAN	9361726000	9361726000	
22	INLET PP(COND)B ASSY	9373463016	9373463016		57	NUT(CAP)	0700106026	0700106026	
23	HEAT EX THERMISTOR	9704220097	-----		58	COMP COVER D	9372737026	9372737026	
24	CHECK JOINT ASSY	9372802021	9372802021		59	COMP COVER B	9372735039	9372735039	
25	STRAINER ASSY	9372524015	9372524015		60	COMP COVER C	9372736036	9372736036	
26	SOLENOID (RED)	9900189020	9900189020		61	COMP COVER A	9372734025	9372734025	
27	SOLENOID (WHITE)	9900189013	9900189013		62	BASE PAINTED	9364145013	9364145013	
28	BYPASS B ASSY	9372533017	9372533017		63	COIL(EXP VLV)	9900190019	-----	
29	SOLENOID VLV	9900188016	9900188016		64	EXPANSION VLV	9900170028	-----	
30	BYPASS A ASSY	9372530016	9372530016		65	4-WAY VALVE	9970035012	-----	
31	PRESSURE SWITCH (HP)	9900186012	9900186012		66	SOLENOID 4way-V(WHITE)	9900191016	-----	
32	PRESSURE SWITCH (LP)	9900187019	9900187019		67	JOINT PIPE B	9372521014	-----	
33	DISCHARGE PIPE B	9372539019	9372539019						
34	JOINT PIPE A	9372520017	9372520024						
35	DISCHAR THERMISTER	9704219107	9704219107						

MODEL : AOY54UJAMR
AOY54FJAMR

Ref No.	Description	Parts No.	Parts No.	Ord Q'ty	Ref No.	Description	Parts No.	Parts No.	Ord Q'ty
		AOY54UJAMR	AOY54FJAMR				AOY54UJAMR	AOY54FJAMR	
101	PWB ASSY(EZ-0035HUE-C)	9705259010	9705259010		119	CONT BOX MTL C SUB ASSY	9373320012	9373320012	
102-1	FUSE 217.500	0600365110	0600365110		120	CAP ELEC	9704268020	9704268020	
102-2	FUSE 218001.	0600385163	0600385163		121	BAND	9372281017	9372281017	
102-3	FUSE BET 3.15A-250V	0600222512	0600222512		122	CAP PLASTIC	9704305053	9704305053	
103	PWB ASSY(EZ-0035HUE-P)	9705256019	9705256019		123	COIL CHOKE	9703458019	9703458019	
104	PTC THERMISTOR	9704265012	9704265012			ARRESTER RA-362M-V7-F	0600280154	0600280154	
105	RELAY(MAIN)	9900262013	9900262013			VARISTOR TNR10V471K	0000361224	0000361224	
106	CAP PLASTIC	9705497016	9705497016			WIRE ASSY(PCB-RELAY)	9703253010	9703253010	
107	CTR BOX MTL A	9372279014	9372279014			TRANSFORMER(SWITCH)	9704267016	9704267016	
108	CTR BOX MTL B ASSY	9372474013	9372474013			TRANSFORMER CT-1B	9702334024	9702334024	
109	TERMINAL 5P	9900428037	9900428037			SWITCH, SLIDE DSS804	9701393015	9701393015	
110	M4 BOLT	9366044017	9366044017			TRANS,PWR PEPF41-16A	9705410015	9705410015	
111	TR ASSY(EZ-0035HUE-TR)	9705253018	9705253018			TRANSFORMER(SWITCH)	9704267016	9704267016	
112	ACTIVE FILTER MODULE	9704258014	9704258014			TRANSFORMER CT-1B	9702334024	9702334024	
113	SCREW WITH WASHER	0700095054	0700095054			SWITCH, SLIDE DSS804	9701393015	9701393015	
114	DIODE POWER (BRIDGE)	0100122039	0100122039			TRANS,PWR PEPF41-16A	9705410015	9705410015	
115	HEAT SINK A	9372282014	9372282014						
116	HEAT SINK B	9372283011	9372283011						
117	PROTECTOR	9372284018	9372284018						
118	CAP (POWER)	9352173011	9352173011						