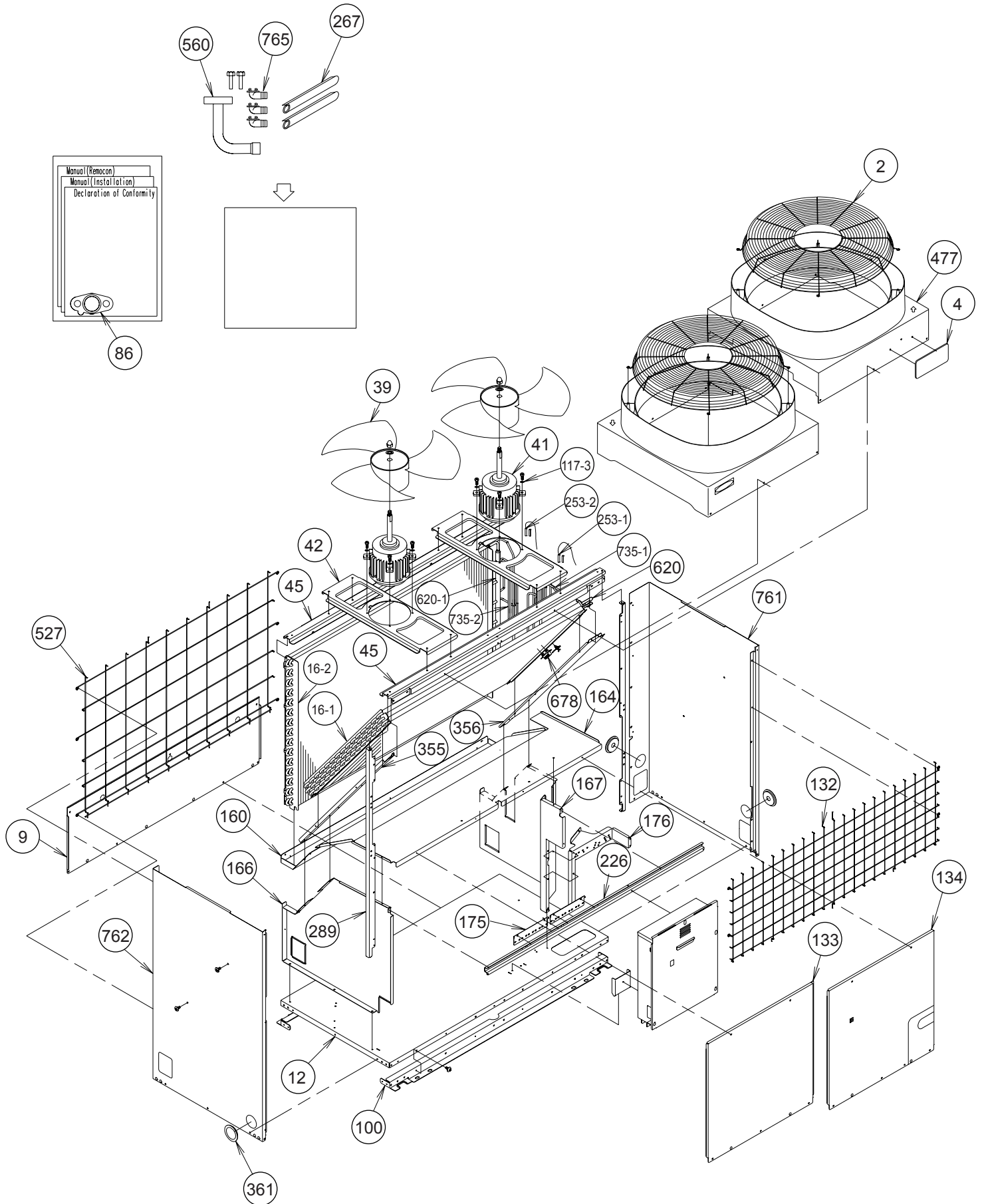
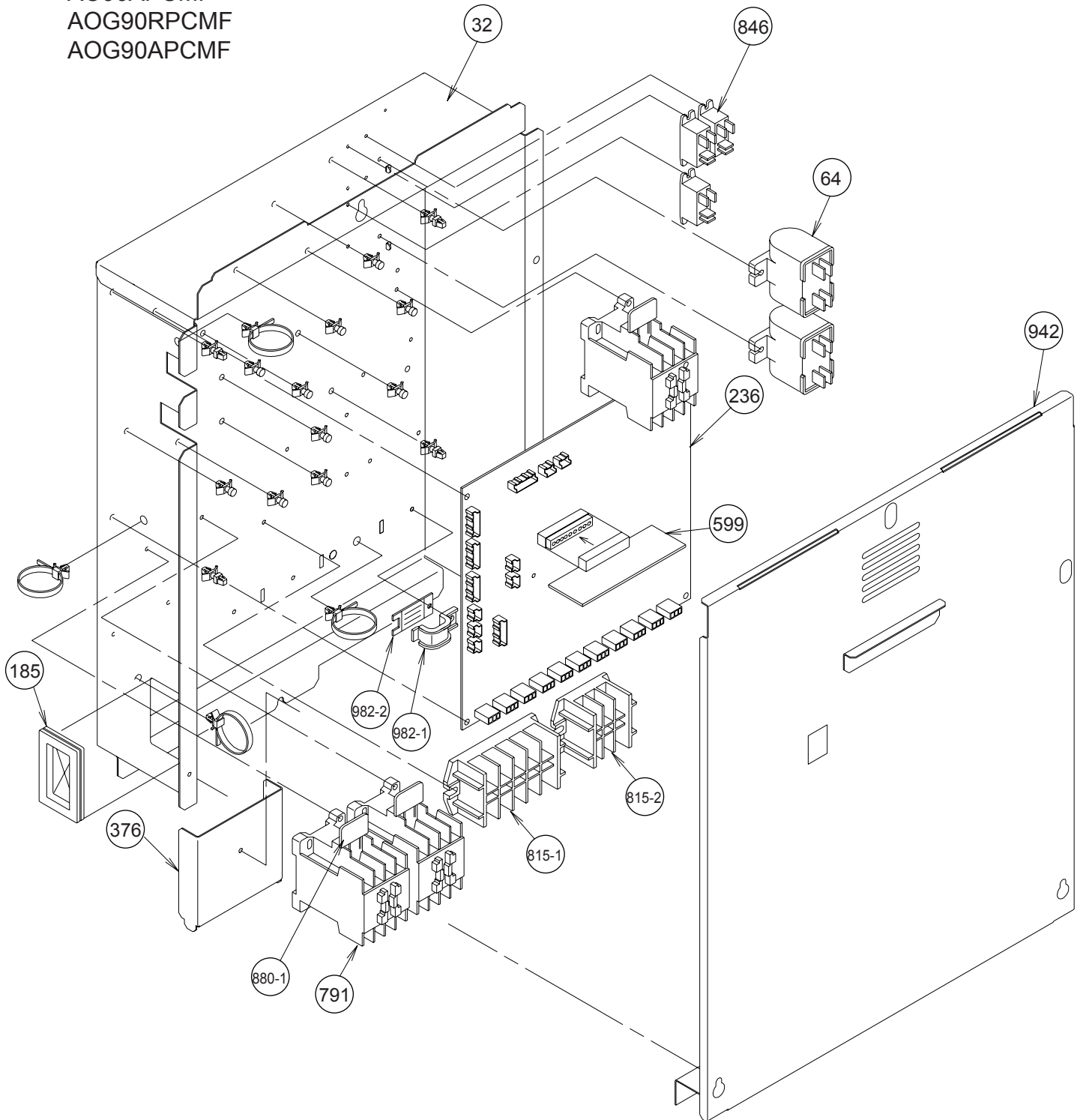


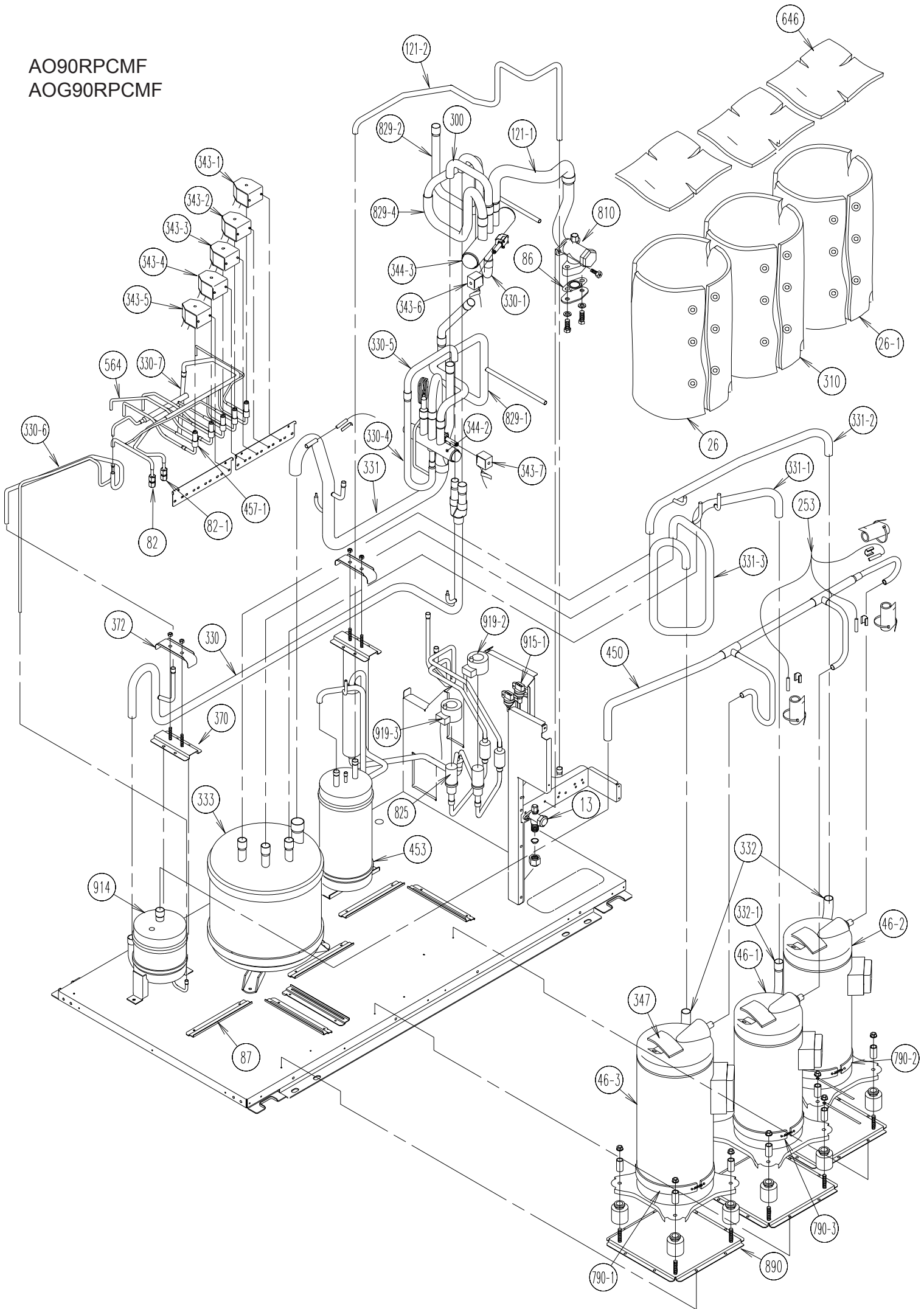
AO90RPCMF
AO90APCMF
AOG90RPCMF
AOG90APCMF



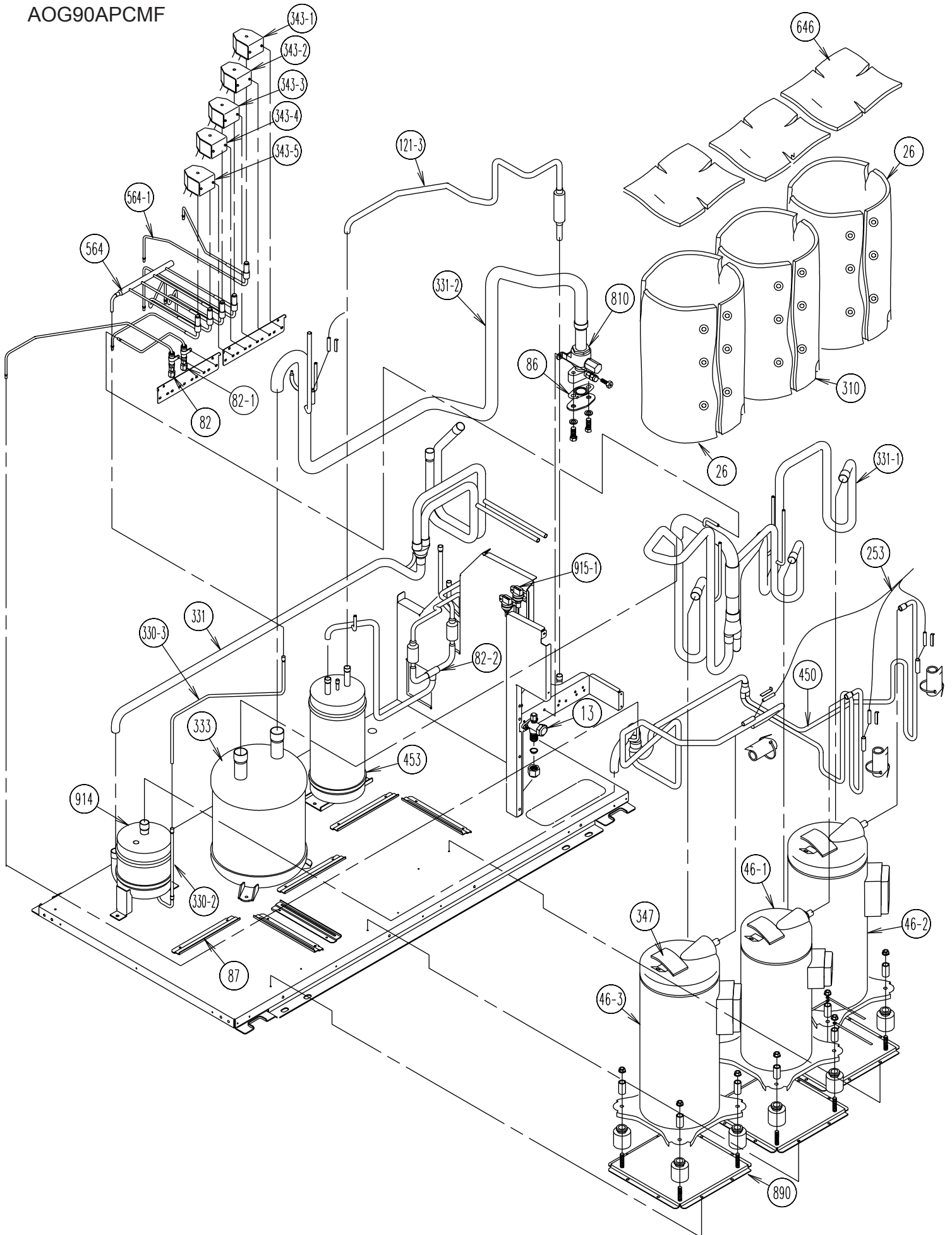
AO90RPCMF
AO90APCMF
AOG90RPCMF
AOG90APCMF



AO90RPCMF
AOG90RPCMF



AO90APCMF
AOG90APCMF



AO90RPCMF
AOG90RPCMF

Ref	Description	Part No.	Ref	Description	Part No.
2	FAN COVER	9366142010	333	ACCUMULATOR ASSY	9375073015
4	EMBLEM (FUJITSU)	9359836018	343-1	SOLENOID SV5	9970007057
4	EMBLEM (GENERAL)	313791088308	343-2	SOLENOID SV4	9970007040
9	REAR PANEL PAINTED	9361712027	343-3	SOLENOID SV1	9970007019
12	BASE ASSY	9372336021	343-4	SOLENOID SV2	9970007026
13	3-WAY VALVE ASSY	9368997007	343-5	SOLENOID SV3	9970007033
16-1	CONDENSER ASSY 3X30	9370133080	343-6	SOLENOID 4WV1	9970008016
16-2	CONDENSER ASSY 2X30	9370133028	343-7	SOLENOID 4WV2	9970008023
26	COMPRESSOR COVER-A	9361935006	344-2	4-WAY VALVE 2	9353532008
32	CONTROL BOX	9361713000	344-3	4-WAY VALVE 1	9703884009
39	PROPELLER FAN	9361726000	347	NOISE INSULATION-D	313712304109
41	FAN MOTOR ASSY-OUTER	9601271017	355	BRACKET(CONDENSER)-L	9361698000
42	BRACKET PANEL(MOTOR)	9361703001	356	BRACKET(CONDENSER)-R	9361699007
45	BRACKET(MOTOR)	9361701007	361	BUSHING	9361725003
46-1	COMPRESSOR A ASSY	9370065008	376	BRACKET(CONTROL BOX)	9361727007
46-2	COMPRESSOR B ASSY	9370066005	450	DISCHARGE PIPE ASSY	9375074036
46-3	COMPRESSOR C ASSY	9370067002	453	RECEIVER TANK ASSY	9366371007
64	CAPACITOR(FAN MOTOR)	9703306037	457-1	SOLENOID VALVE	9703889028
82	JNT PP (CHECK JOINT) A AS	9369889004	477	BELL MOUTH	9361721005
82-1	JNT PP (CHECK JOINT) B AS	9369891007	527	CONDENSER GUARD	9366143017
86	GASKET	9363272000	560	FLANGE ASSY E895	9363035001
87	BRACKET(COMPRESSOR)	9361694002	564	BYPASS ASSY	9375081027
100	BASE FOOT PAINTED	9361688025	599	SIGNAL PCB ASSY	9704424044
117-3	SPECIAL WASHER M6	313306391007	620	INLET PIPE A(CONDENSER)	9369899003
121-1	BALL VALVE JOINT A D28.58	9369893001	620-1	INLET PIPE B(CONDENSER)	9369913006
121-2	BALL VALVE JOINT B D12.78	9369894008	646	COMPRESSOR COVER-B	9361936003
132	FRONT PROTECTION NET	9366144014	678	BRACKET(THERMISTOR)	313557406106
133	FRONT PANEL-L	9361709027	735-1	DISTRIBUTOR A ASSY	9375099015
134	FRONT PANEL-R	9361710047	735-2	DISTRIBUTOR B ASSY	9375099022
160	DRAIN PAN	9361700000	761	SIDE PANEL-R PAINTED	9361706026
164	SEPARATE WALL-UPPER	9361693005	762	SIDE PANEL-L PAINTED	9361705029
166	SEPARATE WALL-L	9361695009	765	DRAIN PIPE (L-TYPE)	9301102000
167	SEPARATE WALL-R	9361696006	790-1	BELT HEATER A 240V 35W	9361140097
175	BRKT PNL(S VLV)	9364230009	790-2	BELT HEATER B 240V 35W	9361140080
176	BRACKET(VALVE)-A	9368955007	790-3	BELT HEATER C 240V 25W	9361140073
185	RUBBER BUSHING	313005066051	791	MAGNETIC RELAY	9900227012
226	REINFORCEMENT	9361697003	810	BALL VALVE-B (R22)	9361938007
236	CONTROLLER PCB ASSY	9704723017	815-1	TERMINAL 5P	9363275018
253	THERMISTOR ASSY	9900098018	815-2	TERMINAL 3P	9358660027
253-1	THERMISTOR (H.E.1)	9900099015	825	EXPANSION VALVE	9370365009
253-2	THERMISTOR (H.E.2)	9900099022	829-1	JOINT PIPE A ASSY	9369859007
267	INSULATION(PIPE) C	9363828009	829-2	JOINT PIPE B ASSY	9369862007
289	REINFORCEMENT	9361704008	829-4	JOINT PIPE C1	9375101015
300	SUCTION PIPE C	9369895005	846	RELAY G2R-1A-T DC12V	9900295011
310	COMPRESSOR COVER	9366132004	880-1	NETWORK (C-R)	9700987017
330	JOINT PIPE A ASSY (OIL SEPA)	9375085018	890	BRKT PNL(COMP)ASSY	9364208008
330-1	JOINT PIPE B (OIL SEPA)	9369896002	914	OIL SEPARATOR ASSY	9369947001
330-4	JOINT PIPE D (OIL SEPA)	9375094010	915-1	PRESSURE SENSOR	9900097011
330-5	JOINT PIPE E ASSY(OIL SEPA)	9375098018	919-2	COIL(EXPANSION VALVE)	9370435009
330-6	JOINT PIPE C ASSY(OIL SEPA)	9375091019	919-3	COIL(EXPANSION VALVE)	9370436006
330-7	JOINT PIPE (BYPS)J1	9375092054	942	CONTROL BOX COVER	9361716001
331	SUCTION PIPE A ASSY	9375087029	982-1	CORD CLAMP	9356857009
331-1	SUCTION PIPE ASSY (2HP)	9375076016	982-2	CORD CLAMP B	9356858006
331-2	SUCTION PIPE ASSY (4HP)	9375076023			
331-3	SUCTION PIPE ASSY (6HP)	9375076030			
332	JOINT PIPE (COMP) A	9375078010			
332-1	JOINT PIPE (COMP) B	9375078027			

AO90APCMF
AOG90APCMF

Ref	Description	Part No.	Ref	Description	Part No.
2	FAN COVER	9366142010	330-3	JOINT PIPE C (OIL SEPA)	9369897009
4	EMBLEM (FUJITSU)	9359836018	331	JNT PP A AS (OIL SEPA)	9369927003
4	EMBLEM (GENERAL)	313791088308	331-1	SUCTION PIPE B ASSY	9369852008
9	REAR PANEL PAINTED	9361712027	331-2	SUCTION PIPE A ASSY	9369925009
12	BASE ASSY	9361684003	333	ACCUMULATOR ASSY	9369948008
13	3-WAY VALVE ASSY	9368997007	343-1	SOLENOID SV5	9970007057
16-1	CONDENSER ASSY 3X30	9370134018	343-2	SOLENOID SV4	9970007040
16-2	CONDENSER ASSY 2X30	9370133028	343-3	SOLENOID SV1	9970007019
26	COMPRESSOR COVER-A	9361935006	343-4	SOLENOID SV2	9970007026
32	CONTROL BOX	9361713000	343-5	SOLENOID SV3	9970007033
39	PROPELLER FAN	9361726000	347	NOISE INSULATION-D	313712304109
41	FAN MOTOR ASSY-OUTER	9601271017	355	BRACKET(CONDENSER)-L	9361698000
42	BRACKET PANEL(MOTOR)	9361703001	356	BRACKET(CONDENSER)-R	9361699007
45	BRACKET(MOTOR)	9361701007	361	BUSHING	9361725003
46-1	COMPRESSOR A ASSY	9370065008	376	BRACKET(CONTROL BOX)	9361727007
46-2	COMPRESSOR B ASSY	9370066005	450	DISCHARGE PIPE A ASSY	9369842009
46-3	COMPRESSOR C ASSY	9370067002	453	RECEIVER TANK ASSY	9366371007
64	CAPACITOR(FAN MOTOR)	9703306037	477	BELL MOUTH	9361721005
82	JNT PP (CHECK JOINT) A AS	9369889004	527	CONDENSER GUARD	9366143017
82-1	JNT PP (CHECK JOINT) B AS	9369891007	560	FLANGE ASSY E895	9363035001
82-2	JOINT PIPE(RECEIVER TANK)	9370832037	564	BYPASS A ASSY	9369878008
86	GASKET	9363272000	564-1	BYPASS B ASSY	9369886003
87	BRACKET(COMPRESSOR)	9361694002	599	SIGNAL PCB ASSY	9704424013
100	BASE FOOT PAINTED	9361688025	620	INLET PIPE A(CONDENSER)	9369899003
117-3	SPECIAL WASHER M6	313306391007	620-1	INLET PIPE B(CONDENSER)	9369913006
121-3	BALL VALVE JOINT PIPE B AS	9371153018	646	COMPRESSOR COVER-B	9361936003
132	FRONT PROTECTION NET	9366144014	678	BRACKET(THERMISTOR)	313557406106
133	FRONT PANEL-L	9361709027	735-1	DISTRIBUTOR A ASSY	9369903007
134	FRONT PANEL-R	9361710047	735-2	DISTRIBUTOR B ASSY	9369917004
160	DRAIN PAN	9361700000	761	SIDE PANEL-R PAINTED	9361706026
164	SEPARATE WALL-UPPER	9361693005	762	SIDE PANEL-L PAINTED	9361705029
166	SEPARATE WALL-L	9361695009	791	MAGNETIC RELAY	9363277005
167	SEPARATE WALL-R	9361696006	810	BALL VALVE-B (R22)	9361938007
175	BRKT PNL(S VLV)	9364230009	815-1	TERMINAL 5P	9363275018
176	BRACKET(VALVE)-A	9368955007	815-2	TERMINAL 3P	9358660027
185	RUBBER BUSHING	313005066051	846	RELAY G2R-1A-T DC12V	9900295011
226	REINFORCEMENT	9361697003	880-1	NETWORK (C-R)	9700987017
236	CONTROLLER PCB ASSY	9704723017	890	BRKT PNL(COMP)ASSY	9364208008
253	THERMISTOR ASSY	9900098018	914	OIL SEPARATOR ASSY	9369947001
267	INSULATION(PIPE) C	9363828009	915-1	PRESSURE SENSOR	9900097011
289	REINFORCEMENT	9361704008	942	CONTROL BOX COVER	9361716001
310	COMPRESSOR COVER	9366132004	982-1	CORD CLAMP	9356857009
330-2	JOINT PIPE F (OIL SEPA)	9371086002	982-2	CORD CLAMP B	9356858006