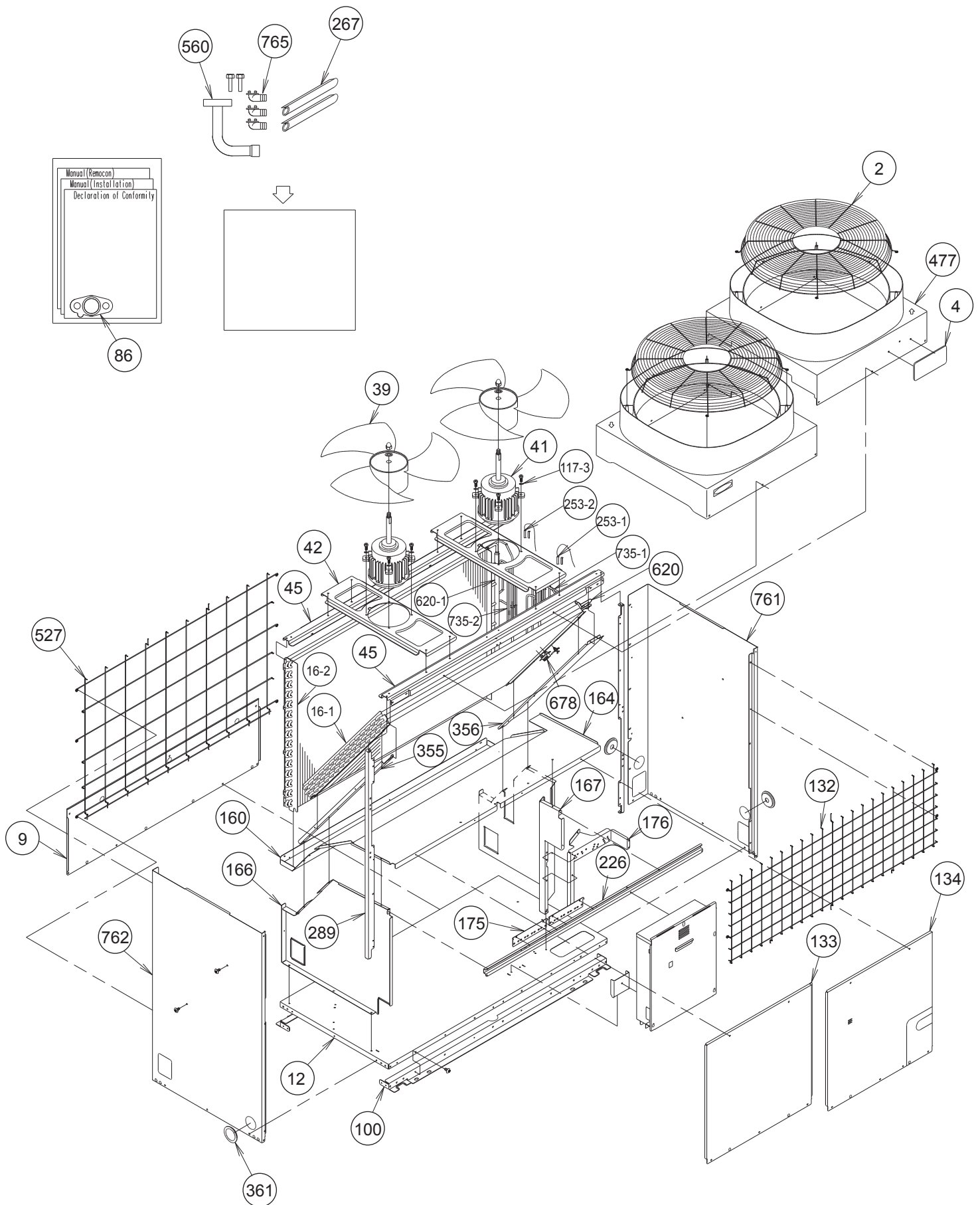
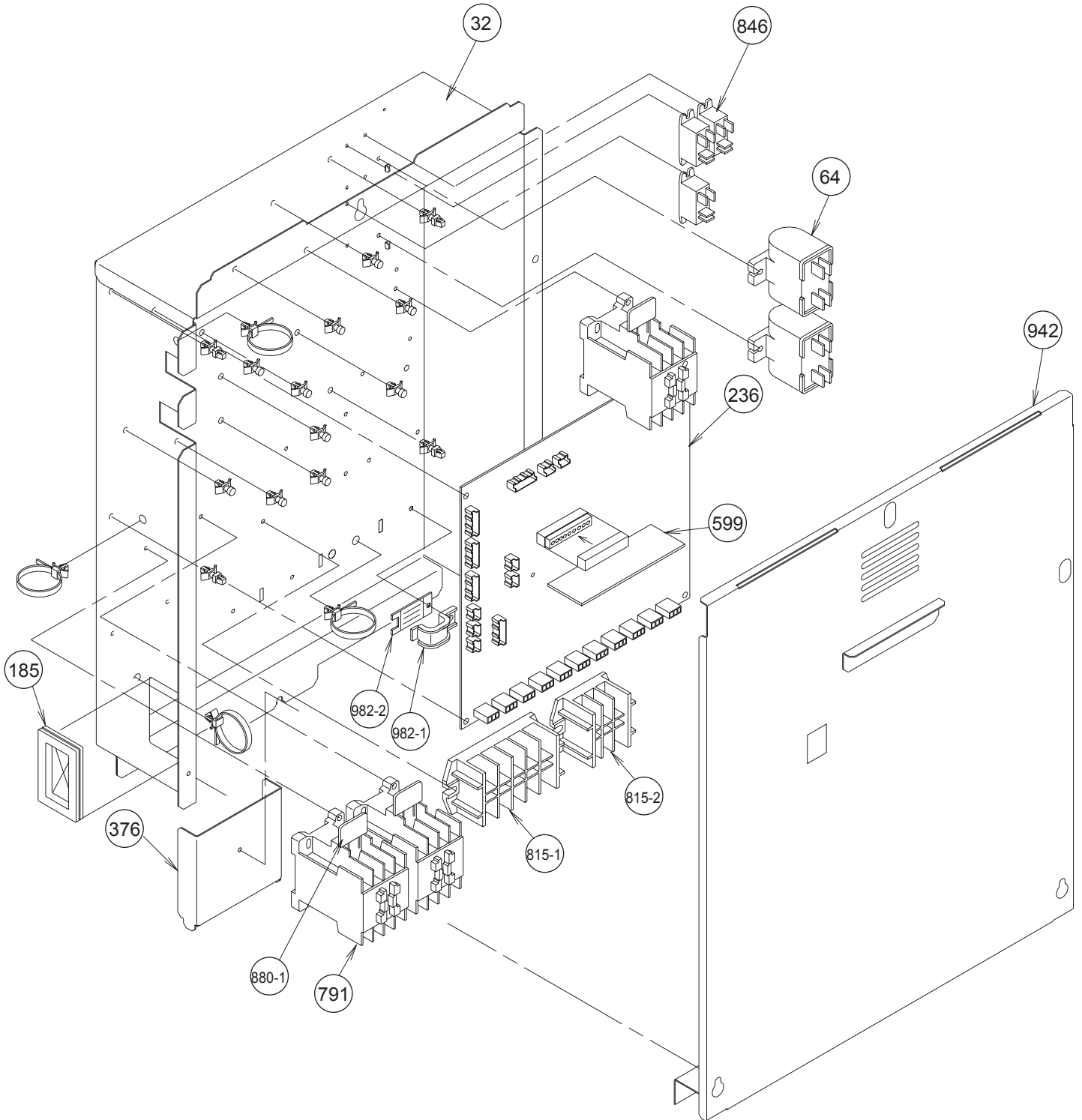


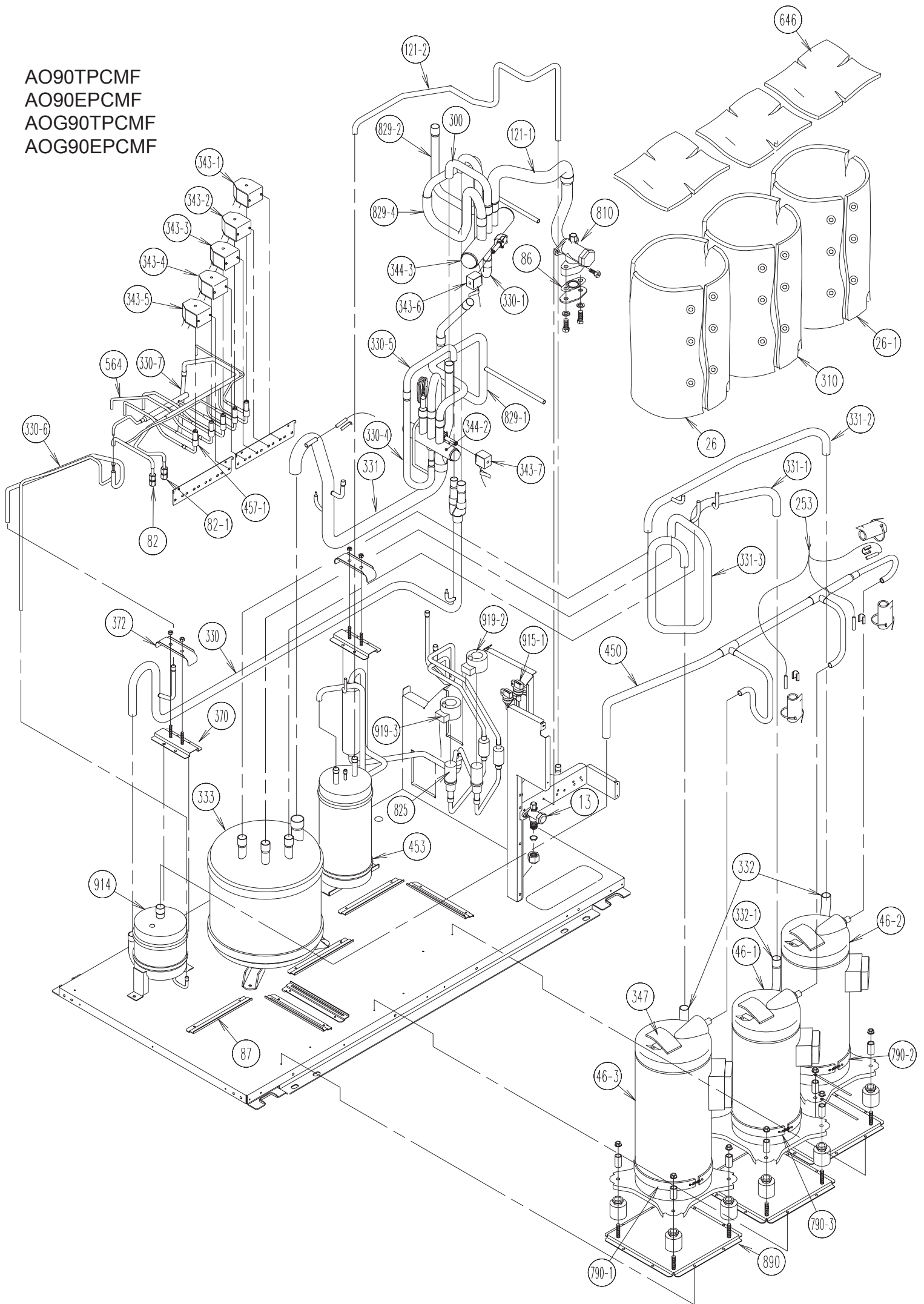
AO90TPCMF  
AO90EPCMF  
AOG90TPCMF  
AOG90EPCMF



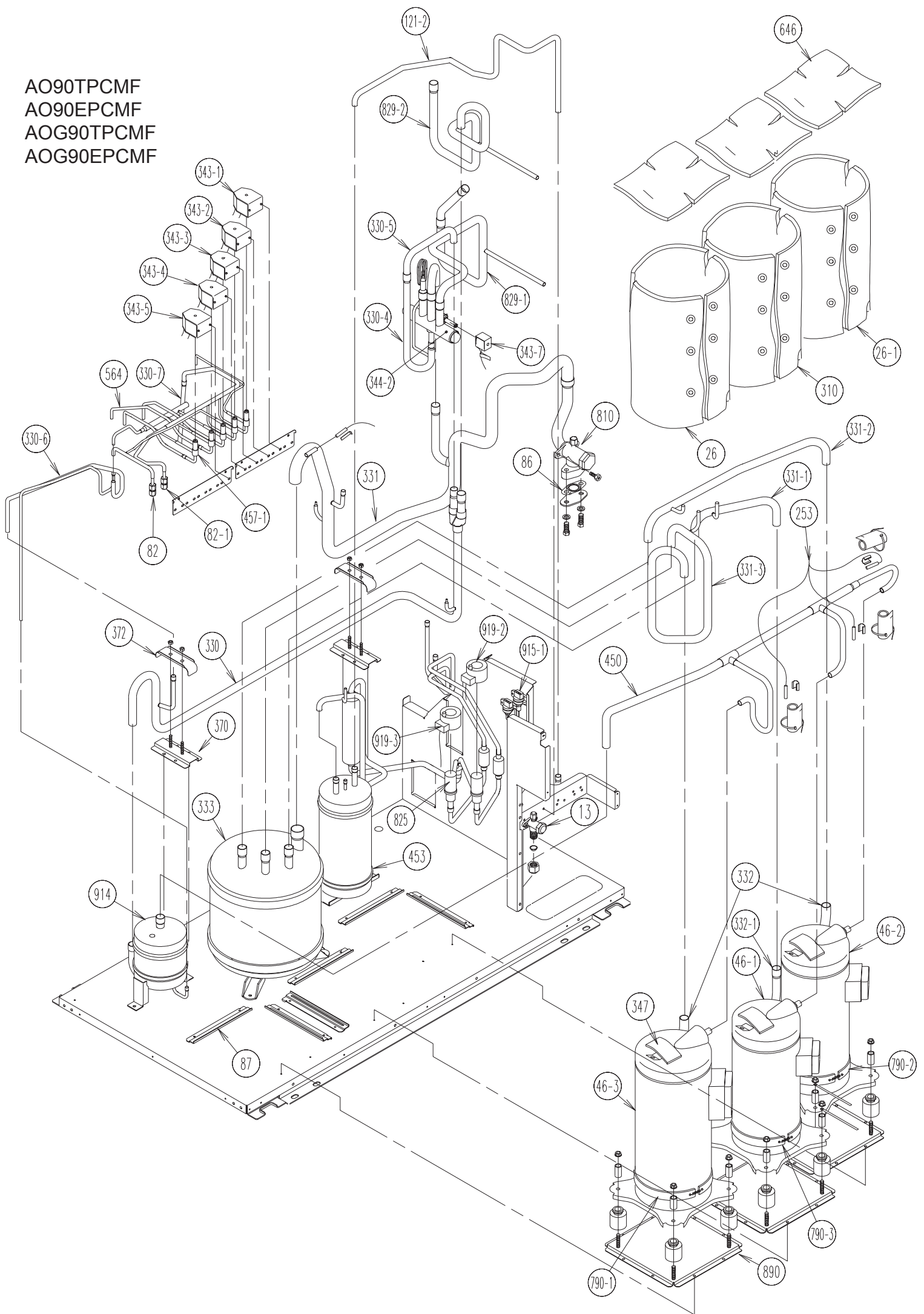
AO90TPCMF  
AO90EPCMF  
AOG90TPCMF  
AOG90EPCMF



AO90TPCMF  
AO90EPCMF  
AOG90TPCMF  
AOG90EPCMF



AO90TPCMF  
AO90EPCMF  
AOG90TPCMF  
AOG90EPCMF



AO90TPCMF  
AO90EPCMF  
AOG90TPCMF  
AOG90EPCMF

Ref	Description	Parts No.	Parts No.	Ref	Description	Parts No.	Parts No.
		AO90TPCMF AOG90TPCMF	AO90EPCMF AOG90EPCMF			AO90TPCMF AOG90TPCMF	AO90EPCMF AOG90EPCMF
2	FAN COVER	9366142010	9366142010	267	INSULATION(PIPE)-C	9363828009	9363828009
4	EMBLEM-REAR(FUJITSU)	9359836018	9359836018	285	INSU(ACCUMLATOR)	9366131007	9366131007
4	EMBLEM-REAR(GENERAL)	313791088308	313791088308	289	REINFORCEMENT	9361704008	9361704008
9	REAR PANEL,PAINTED	9361712027	9361712027	300	SUCTIONPIPE C	9369895005	_____
12	BASE ASSY	9372336021	9372336021	310	COMPRESSOR COVER	9366132004	9366132004
13	3-WAY VALVE ASSY	9374762019	9374762019	320-1	WIRE CLAMP METAL	313483219905	313483219905
15	DRYER	9369978012	9369978012	330	JOINT PIPE A ASSY(OIL SEPA)	9375085018	9375085018
16-1	CONDENSER-A,ASSY	9370133080	9370133011	330-1	JOINT PIPE B(OIL SEPA)	9369896002	_____
16-2	CONDENSER B ASSY	9370133028	9370133028	330-4	JOINT PIPE D(OIL SEPA)	9375094010	9375094010
26-1	COMPRESSOR COVER	9370774016	9370774016	330-5	JOINT PIPE E ASSY(OIL SEPA)	9375098018	9375098018
26	COMPRESSOR COVER-A	9361935006	9361935006	330-6	JOINT PIPE C ASSY(OIL SEPA)	9375091019	9375091019
32	CONTROL BOX	9361713000	9361713000	330-7	JOINT PIPE (BYP)J1	9375092054	9375092054
39	PROPELLER FAN	9361726000	9361726000	331	SUCTION PIPE A ASSY	9375087029	_____
41	FAN MOTOR ASSY-OUTER	9601271017	9601271017	331	SUCTION PIPE A ASSY	_____	9375087036
42	BRACKET PANEL(MOTOR)	9361703001	9361703001	331-1	SUCTION PIPE ASSY (2HP)	9375076016	9375076016
45	BRACKET(MOTOR)	9361701007	9361701007	331-2	SUCTION PIPE ASSY (4HP)	9375076023	9375076023
46-1	COMPRESSOR (2HP)	9367379002	9367379002	331-3	SUCTION PIPE ASSY (6HP)	9375076030	9375076030
46-2	COMPRESSOR (4HP)	9370772012	9370772012	332	JOINT PIPE (COMP) A	9375078010	9375078010
46-3	COMPRESSOR (6HP)	9367377008	9367377008	332-1	JOINT PIPE (COMP) B	9375078027	9375078027
64/34	CAPACITOR(FANMOTOR)	9703306037	9703306037	333	ACCUMLATOR ASSY	9375073015	9375073015
69-3	BOLT,HEX.SOCKET	301210060360	301210060360	343-3	SOLENOID SV1	9970007019	9970007019
82	JOINT,PIPE(CHECKJOINT)	9369889004	9369889004	343-4	SOLENOID SV2	9970007026	9970007026
82-1	JOINT,PIPE(CHECKJOINT)	9369891007	9369891007	343-5	SOLENOID SV3	9970007033	9970007033
85	VALVEPLATE	9363063004	9363063004	343-2	SOLENOID SV4	9970007040	9970007040
86	GASKET	9363272000	9363272000	343-1	SOLENOID SV5	9970007057	9970007057
87	BRACKET(COMPRESSOR)	9361694002	9361694002	343-6	SOLENOID 4WV1	9970008016	_____
100	BASE FOOT PAINTED	9361688025	9361688025	343-7	SOLENOID 4WV2	9970008023	9970008023
107	RUBBERSEAT-A	9364084008	9364084008	344-2	4-WAYVALVE 2	9353532008	9353532008
108	SLEEVE-A	9364085005	9364085005	344-3	4-WAYVALVE 1	9703884009	_____
109	TERMINAL COVER	9364087009	9364087009	347	NOISEINSULATION-D	313712304109	313712304109
109-1	TERMINAL COVER	9366265009	9366265009	355	BRACKET(CONDENSER)-L	9361698000	9361698000
111	TERMINAL PACKING	9364086002	9364086002	356	BRACKET(CONDENSER)-R	9361699007	9361699007
111-1	TERMINAL PACKING	9366264002	9366264002	361	BUSHING	9361725003	9361725003
117/3	SPECIAL WASHERM6	313306391007	313306391007	376	BRACKET(CONTROLBOX)	9361727007	9361727007
121-1	BALL VALVE JOINT A	9369893001	_____	408/55	SPECIAL NUT M8	313252257701	313252257701
121-2	BALL VALVE JOINT B	9369894008	9369894008	450	DISCHARGE PIPE ASSY	9375074029	9375074029
132	FRONT PROTECTION NET	9366144014	9366144014	453	RECEIVER TANK ASSY	9366371007	9366371007
133	FRONT PANEL-L	9361709027	9361709027	457-1	SOLENOID VALVE	9703889028	9703889028
134	FRONT PANEL-R	9361710047	9361710047	477	BELLMOUTH	9361721005	9361721005
143-3	CLAMP NK-6N	9305657001	9305657001	527	CONDENSER GUARD	9366143017	9366143017
155	INSULATION(PIPE)B	9364739007	9364739007	564	BYPASS ASSY	9375081027	9375081027
160	DRAINPAN	9361700000	9361700000	560	FLANGE ASSY E895	9363035001	9363035001
164	SEPARATE WALL-UPPER	9361693005	9361693005	599	SIGNAL PCB ASSY	9704424044	9704424044
166	SEPARATE WALL-L	9361695009	9361695009	620	INLET,PIPE(CONDENSER)	9369899003	9369899003
167	SEPARATE WALL-R	9361696006	9361696006	620-1	INLET,PIPE(CONDENSER)	9369913006	9369913006
172	PIPE COVER	9363470000	9363470000	629	EMIFILTER	0400056119	0400056119
175	BRKT PNL(SVLV)	9364230009	9364230009	629	EMIFILTER	0400056188	0400056188
176	BRACKET(VALVE)-A	9368955007	9368955007	646	COMPRESSOR COVER-B	9361936003	9361936003
182	CLAMP NO.249	313361271505	313361271505	652-1	THERM.HOLDERPIPE	313714262805	313714262805
184-1	THERMO.SPRING-A	313728262708	313728262708	653	BOLT,FORFANMOTOR	0700145087	0700145087
185	RUBBER BUSHING	313005066051	313005066051	678	BRACKET(THERMISTOR)	313557406106	313557406106
193	CUSHION RUBBER	313376149201	313376149201	735-1	DISTORIBUTOR-A,ASSY	9375099015	9369903007
226	REIN FORCEMENT	9361697003	9361697003	735-2	DISTORIBUTOR-B,ASSY	9375099022	9369917004
236	CONTROLLER PCB ASSY	9704723017	9704723017	760-1	INSULATION(PIPE)G	9365851005	9365851005
<del>253</del>	<del>WIRE WITH CONNECTOR</del>	<del>9703878015</del>	<del>9703878015</del>	760-3	INSULATION(PIPE)I	9367069002	9367069002
253	TERMISTOR ASSY	9900325015	9900325015	761	SIDE PANEL-R,PAINTED	9361706026	9361706026
		<del>9900098018</del>	<del>9900098018</del>	762	SIDE PANEL-L,PAINTED	9361705029	9361705029
253-1	TERMISTOR(H.E.1)	9900099015	_____	765	DRAINPIPE,(L-TYPE)	9301102000	_____
253-2	TERMISTOR(H.E.2)	9900099022	_____	790-2	BELT HEATER B	9361140158	9361140158
				790-1	BELT HEATER A	9361140097	9361140097
				790-3	BELT HEATER C	9361140073	9361140073

AO90TPCMF  
 AO90EPCMF  
 AOG90TPCMF  
 AOG90EPCMF

Ref	Description	Parts No.		Ref	Description	Parts No.	
		AO90TPCMF AOG90TPCMF	AO90EPCMF AOG90EPCMF			AO90TPCMF AOG90TPCMF	AO90EPCMF AOG90EPCMF
791	MAGNETIC RELAY	9900227012	9900227012	942	CONTROLBOXCOVER	9361716001	9361716001
810	3-WAY VALVE ASSY	9373989028	9373989028	982-1	CORD CLAMP	9356857009	9356857009
815-2	TERMINAL 3P	9358660027	9358660027	982-2	CORD CLAMP B	9356858006	9356858006
815-1	TERMINAL 5P	9363275018	9363275018	994	ALLENWRENCH	9351228019	9351228019
825	EXPANSIONVALVE ASSY	9370765014	9370765014		ACWIREG633	9367880003	9367880003
825	EXPANSION,VALVE	9370365009	9370365009		CHECK JOINT ASSY	9366486008	9366486008
829-1	JOINT PIPE A ASSY	9369859007	9369859007		INS(OILSEPARATOR)B	9367757008	9367757008
829-2	JOINT PIPE B ASSY	9369862007	_____		INSTALLATION MANUAL	9370848014	9370848014
829-2	JOINTPIPEBASSY	_____	9370775013		INSULATION(PRESSURE	9367034000	9367034000
829-4	JOINT PIPE C1	9375101015	_____		PACKING BOTTOM PAPER	9363888003	9363888003
846	RELAY	9900295011	9900295011		PACKING WOOD-BOTTOM	9362978019	9362978019
880-1	NETWORK(C-R)	9700987017	9700987017		PACKING WOOD-FRONT	9362979016	9362979016
890	BRKT PNL(COMP)ASSY	9364208008	9364208008		PACKING WOOD-PROTECT	9363301014	9363301014
914	OIL SEPARATOR ASSY	9369947001	9369947001		PACKING WOOD-SIDE	9362980012	9362980012
915-1	PRESSURE SENSOR	9900097011	9900097011		PACKING WOOD-TOP	9362981019	9362981019
919-2	COIL(EXPANSION VALVE)	9370435009	9370435009		SWITCH,PUSH	9700450016	9700450016
919-3	COIL(EXPANSION VALVE)	9370436006	9370436006				