

**SPLIT TYPE  
AIR CONDITIONER  
CASSETTE type (50Hz)**

**SERVICE  
MANUAL**



**Models**

<b>Indoor unit</b>	<b>Outdoor unit</b>
AUY30FUAR	AOY30FNBWL
AUY30UUAR	AOY30UNBWL

**CONTENTS**

SPECIFICATIONS .....	1
OUTLINE AND DIMENSIONS .....	2
REFRIGERANT SYSTEM DIAGRAM ....	4
CIRCUIT DIAGRAM .....	5
INDOOR PCB CIRCUIT DIAGRAM .....	7
OUTDOOR PCB CIRCUIT DIAGRAM ...	9
ERROR CONTENTS .....	10
DISASSEMBLY ILLUSTRATION .....	11
PARTS LIST .....	20

# SPECIFICATIONS

TYPE	COOLING	COOLING & HEATING
INDOOR UNIT	AUY30FUAR	AUY30UUAR
OUTDOOR UNIT	AOY30FNBWL	AOY30UNBWL
COOLING CAPACITY (kW)	8.40	8.40
HEATING CAPACITY (kW)	-----	9.50

## ELECTRICAL DATA

POWER SOURCE (V)	230		
FREQUENCY (Hz)	50		
RUNNING CURRENT (A)	COOLING	13.6	13.6
	HEATING	-----	13.1
INPUT WATTS (kW)	COOLING	2.95	2.95
	HEATING	-----	2.78
E.E.R. (kW / kW)	COOLING	2.85	2.85
	HEATING	-----	3.42
STARTING CURRENT (A)	70		
MOISTURE REMOVAL (ℓ /hr)	3.0		

## COMPRESSOR

TYPE	Hermetic type, 2 pole, Single phase, Induction motor, Rotary
DISCRIMINATION	5JS330DAE01
REFRIGERANT R410A (g)	2,300

FAN SPEED (r.p.m.)	INDOOR	HIGH	560	C 560 H 540
		MED	480	C 480 H 480
		LOW	390	C 390 H 390
		S-LOW	250	C 250 H 250
	OUTDOOR	HIGH	780	
		LOW	400	
AIR FLOW (m³/h)	INDOOR	1,250		
	OUTDOOR	3,300		
DIMENSIONS H x W x D (mm)	INDOOR	246 x 830 x 830		
	GRILLE	35 x 940 x 940		
	OUTDOOR	830 x 900 x 330		
WEIGHT NET / GROSS (kg)	INDOOR	34 / 44		
	OUTDOOR	68 / 74	69 / 75	
MAX PIPE LENGTH / HEIGHT (m)	30 / 15			
REMOTE CONTROLLER TYPE	WIRED			

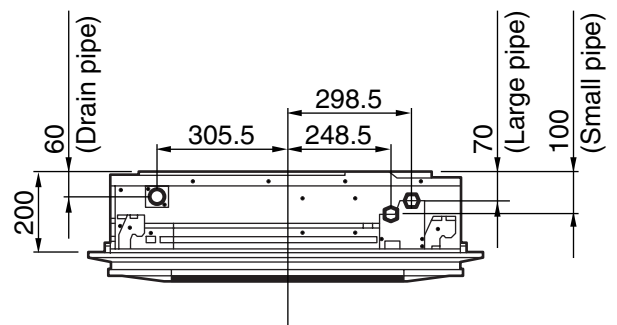
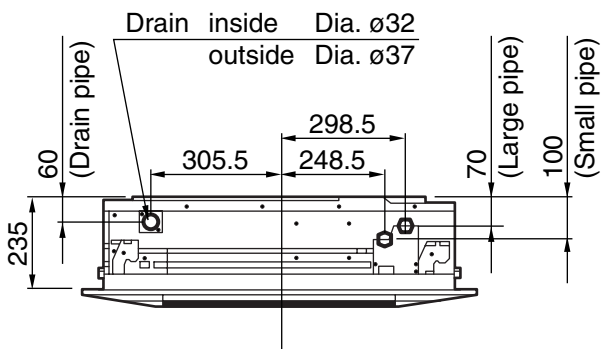
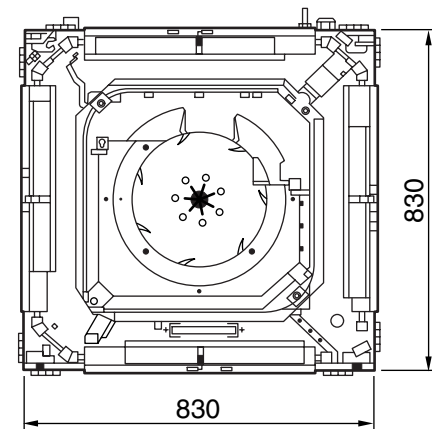
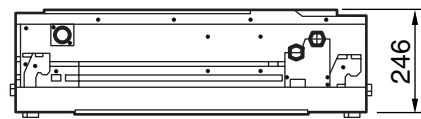
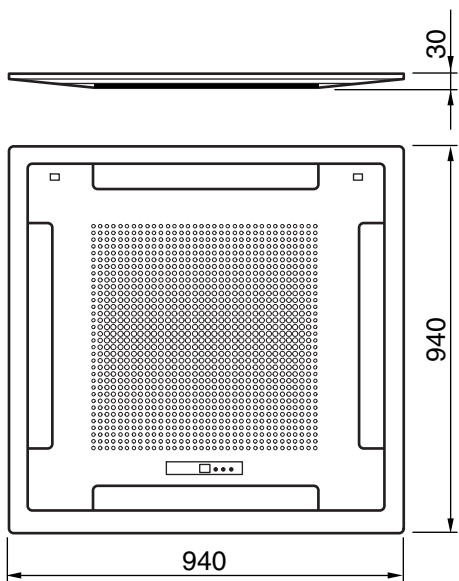
## ADDITIONAL REFRIGERANT CHARGE (R410A)

FULL CHARGE AMOUNT	PIPE LENGTH 7.5 m (24 ft.)	2,300 g (81.1 oz)	2,300 g (81.1 oz)
	10 m (33 ft.)	2,350 g (82.9 oz)	2,400 g (84.7 oz)
	20 m (66 ft.)	2,550 g (89.9 oz)	2,800 g (98.8 oz)
	30 m (99 ft.)	2,750 g (97.0 oz)	3,200 g (112.9 oz)
ADDITIONAL CHARGE	20 g / m (0.21 oz / ft.)	40 g / m (0.43 oz / ft.)	

# OUTLINE AND DIMENSIONS

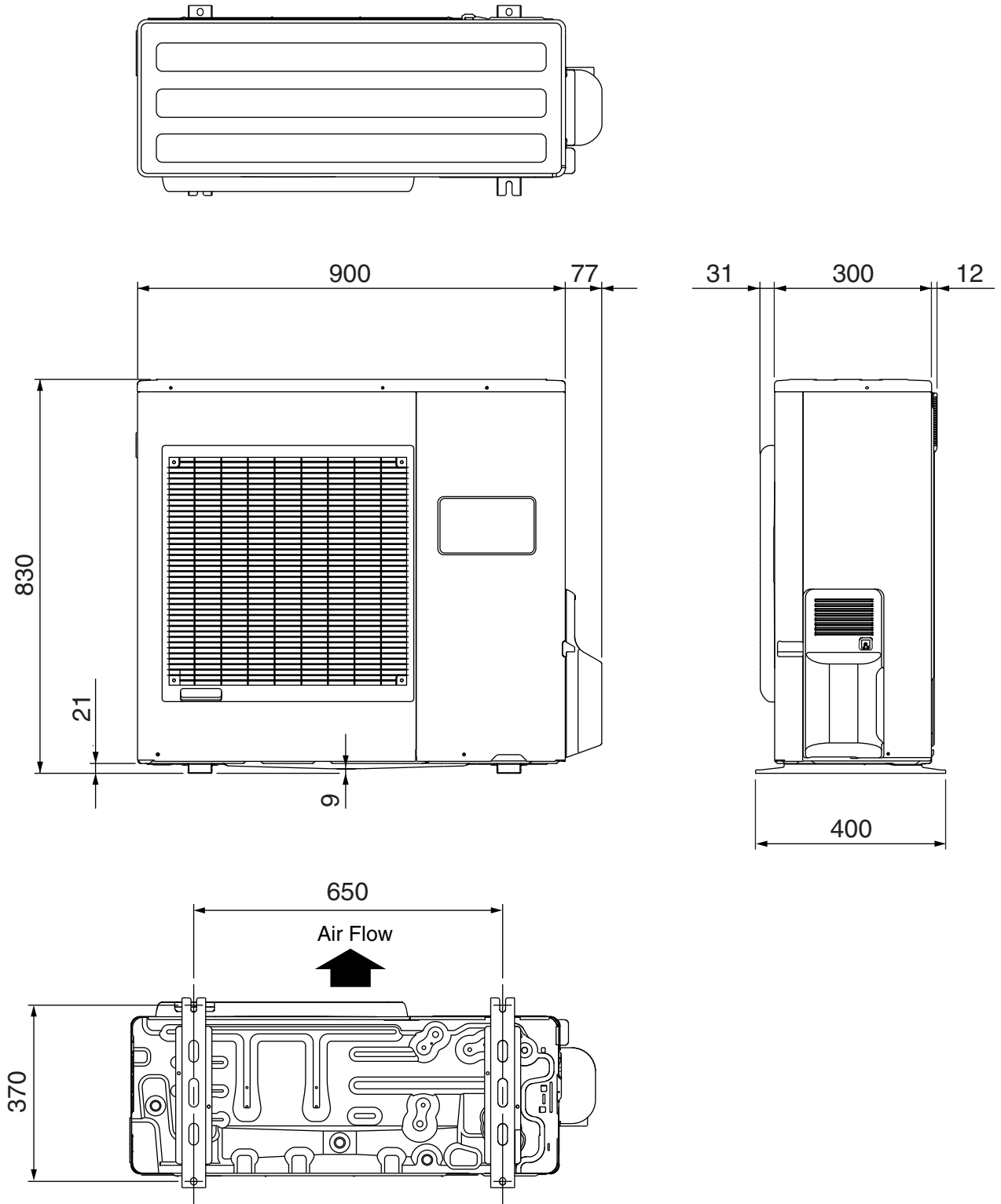
Unit : (mm)

**Models : AUY30FUAR, AUY30UUAR**



# OUTDOOR UNIT

(Unit : mm)

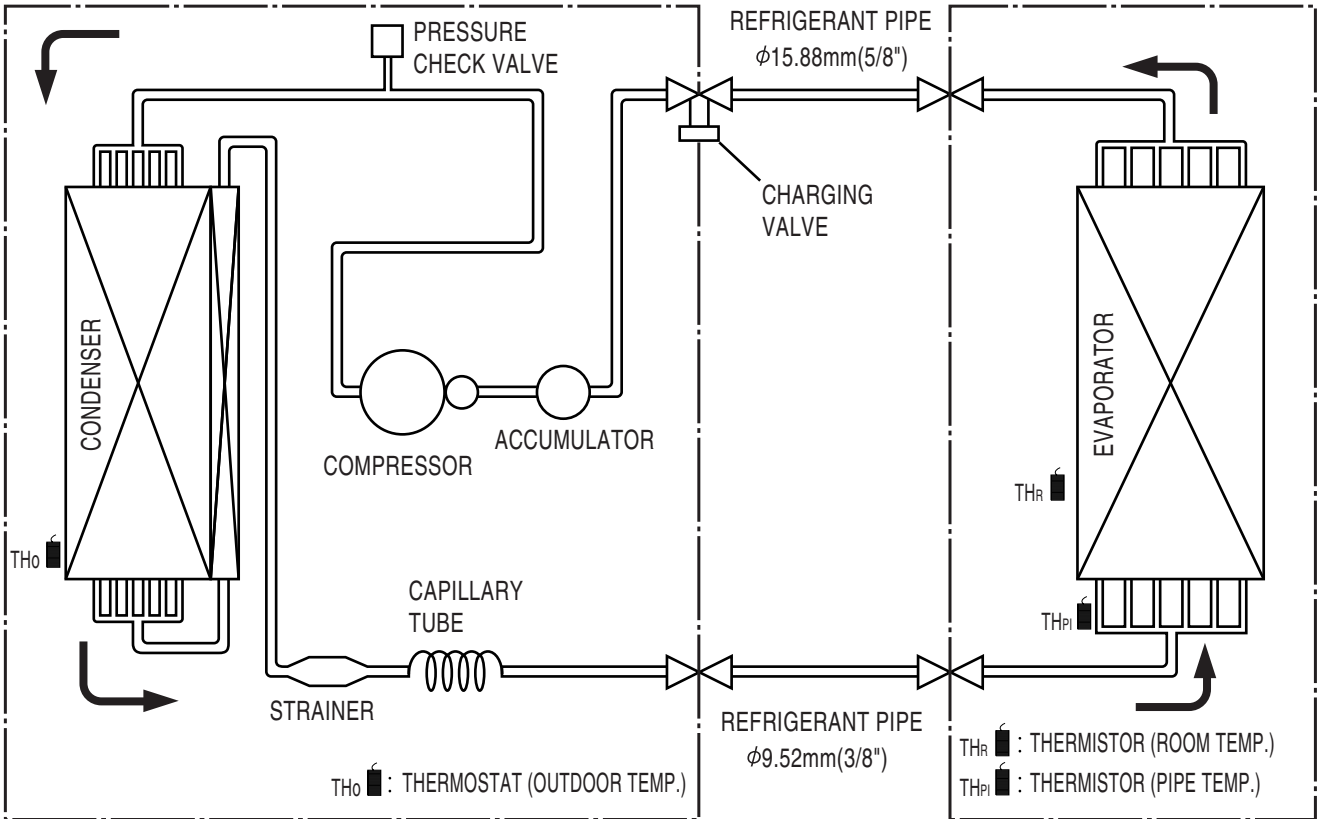


# REFRIGERANT SYSTEM DIAGRAM

**Models : AUY30FUAR / AOY30FNBWL**

OUTDOOR UNIT

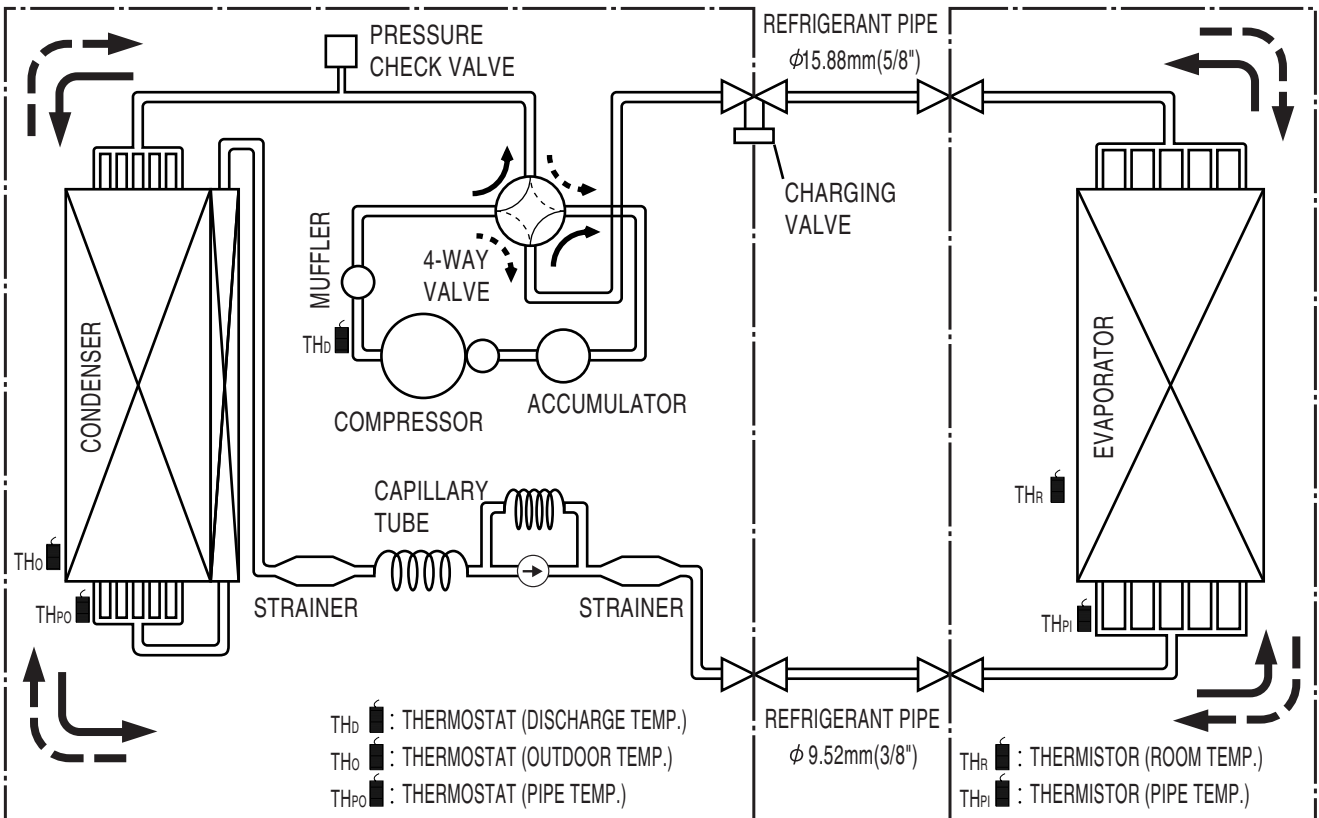
INDOOR UNIT



**Models : AUY30UUAR / AOY30UNBWL**

OUTDOOR UNIT

INDOOR UNIT

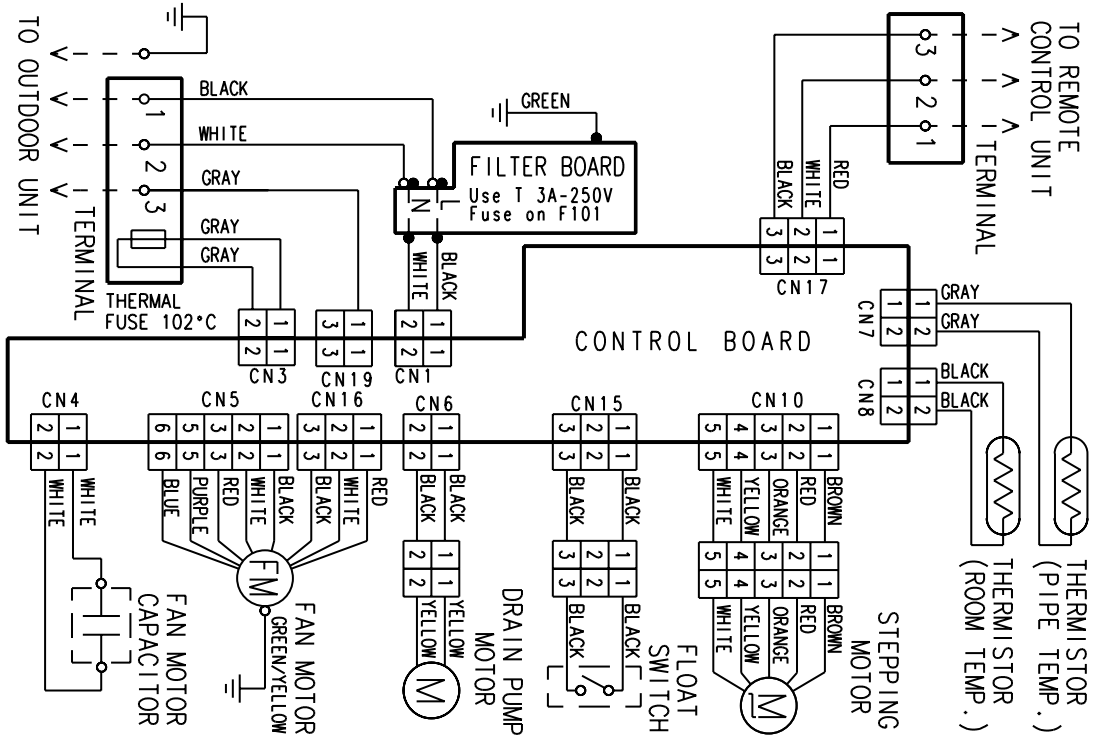


→ : COOL  
- - - → : HEAT

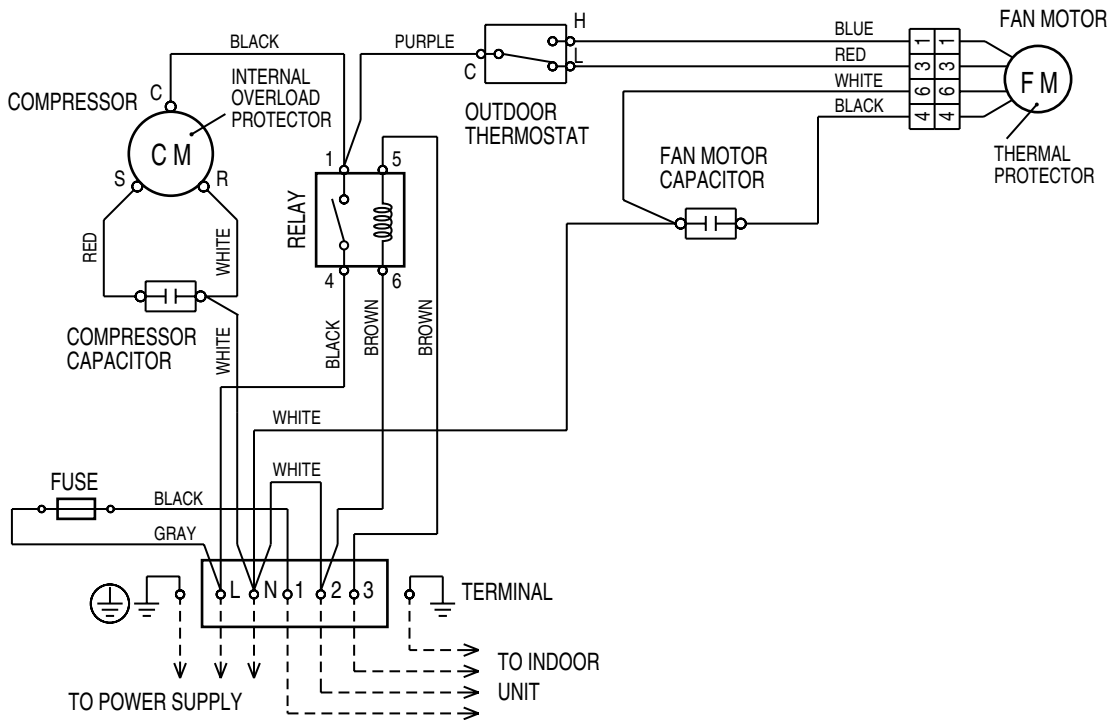
# CIRCUIT DIAGRAM

Models : AU Y30FUAR / AO Y30FNBWL

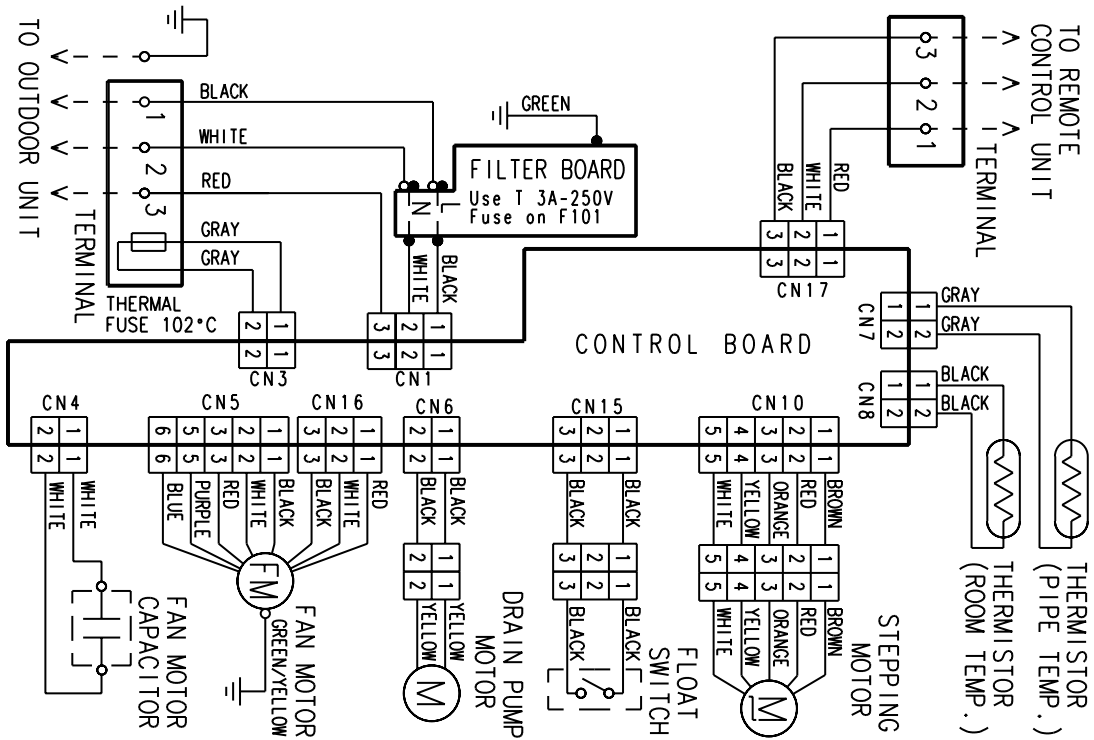
## INDOOR UNIT



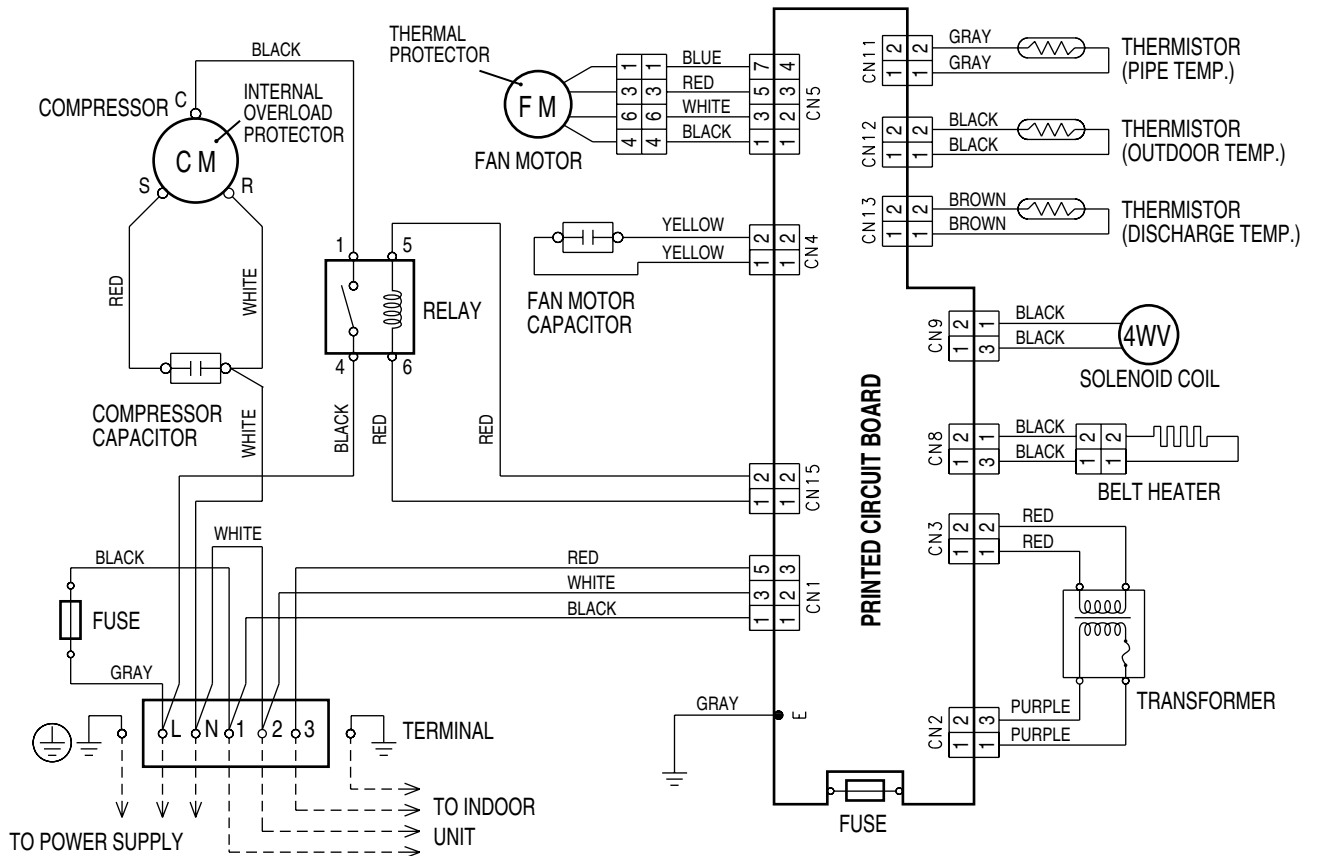
## OUTDOOR UNIT



INDOOR UNIT



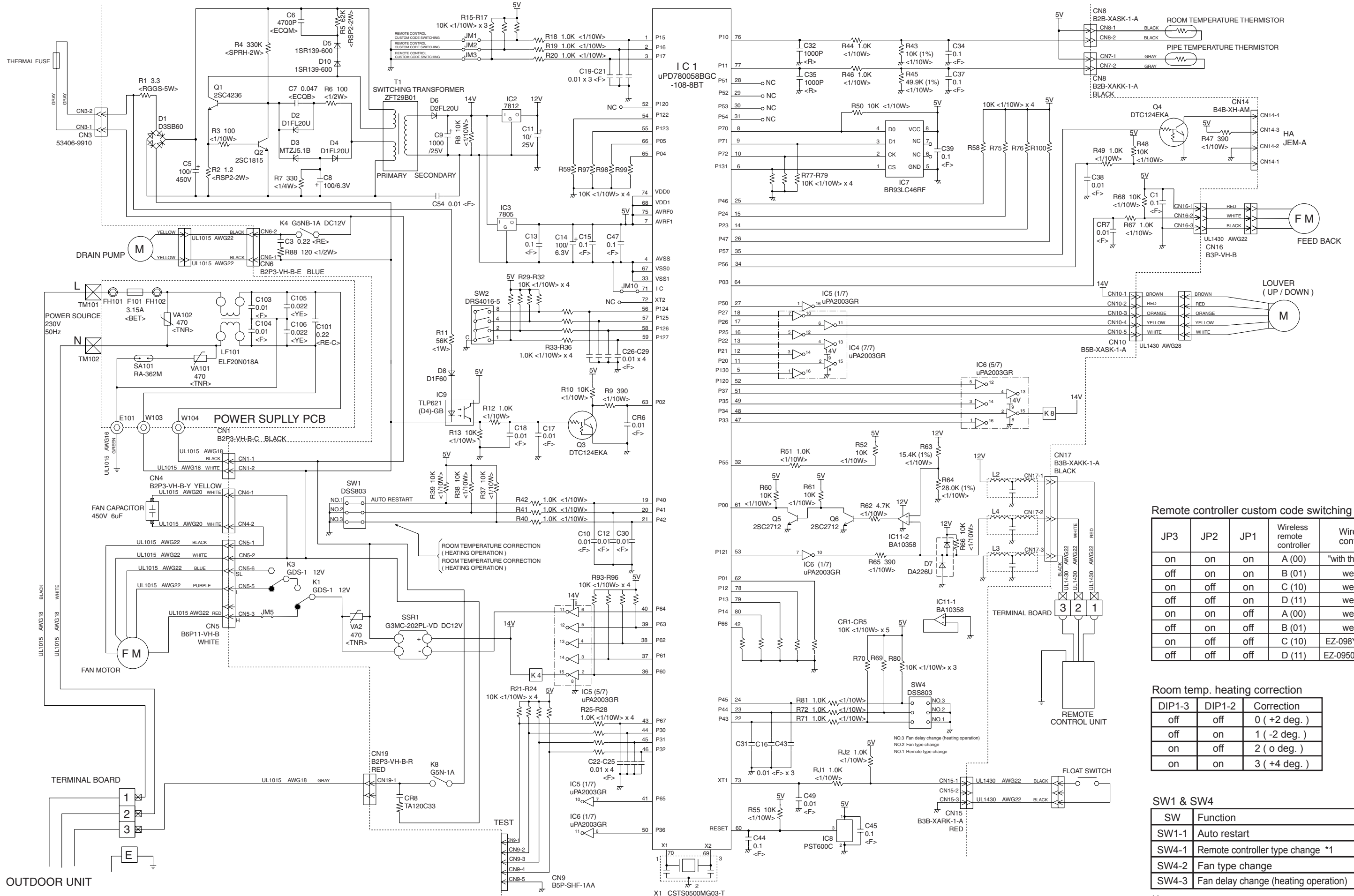
OUTDOOR UNIT



# INDOOR PCB CIRCUIT DIAGRAM

Model : AUY30FUAR

## CONTROLLER PCB ASSEMBLY ( MAIN PCB ) K01AL-040LWSE-C



Remote controller custom code switching

JP3	JP2	JP1	Wireless remote controller	Wired remote controller
on	on	on	A (00)	"with thermistor" type
off	on	on	B (01)	weekly type
on	off	on	C (10)	weekly type
off	off	on	D (11)	weekly type
on	on	off	A (00)	weekly type
off	on	off	B (01)	weekly type
on	off	off	C (10)	EZ-098YHSE-R series
off	off	off	D (11)	EZ-09503HSE-R series

Room temp. heating correction

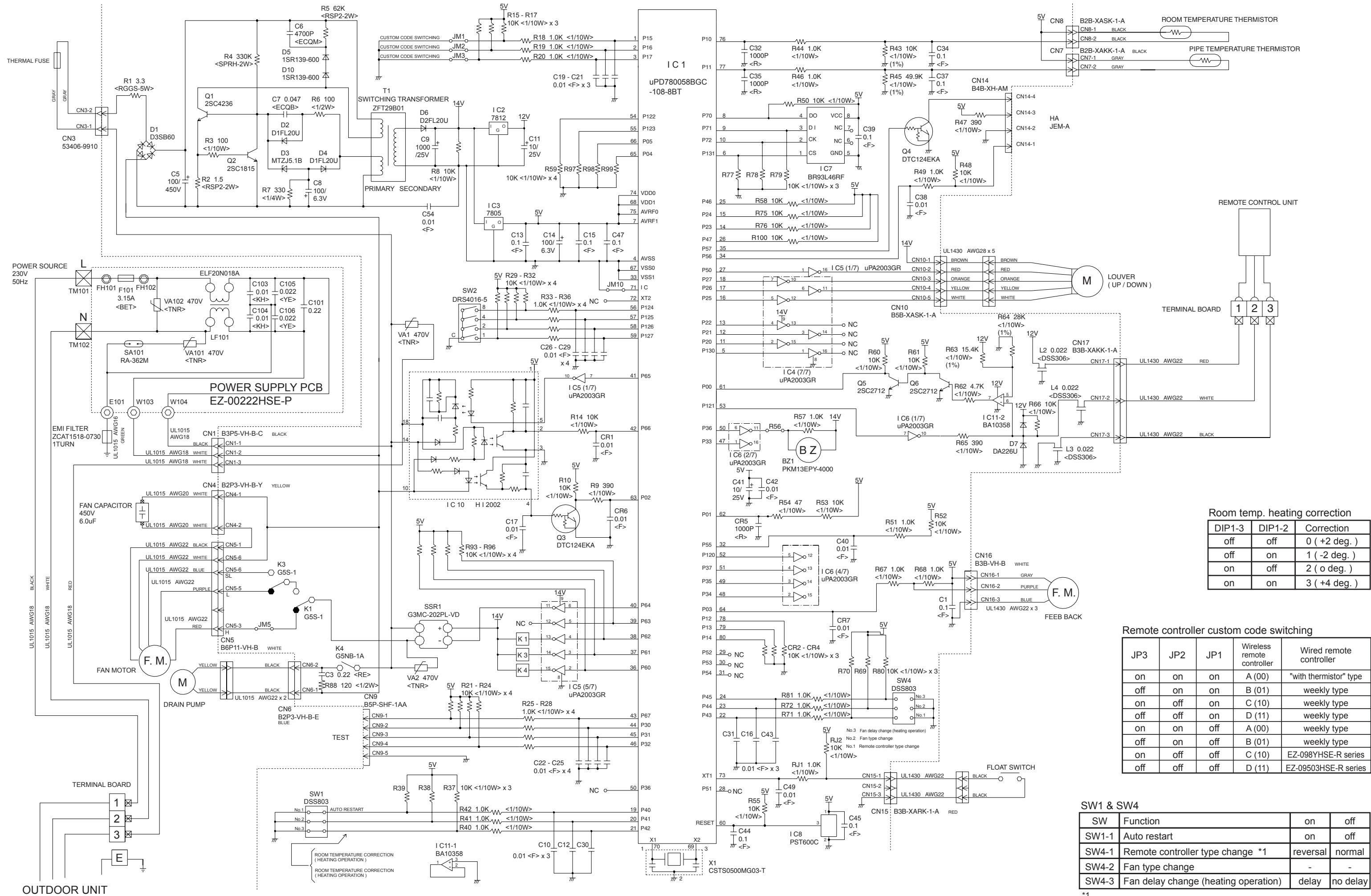
DIP1-3	DIP1-2	Correction
off	off	0 (+2 deg.)
off	on	1 (-2 deg.)
on	off	2 (0 deg.)
on	on	3 (+4 deg.)

SW1 & SW4

SW	Function	on	off
SW1-1	Auto restart	on	off
SW4-1	Remote controller type change *1	reversal	normal
SW4-2	Fan type change	-	-
SW4-3	Fan delay change (heating operation)	delay	no delay

\*1 In the normal mode, it works as EEPROM model information "wired / wireless switching" shows. In the reversal mode, it reverses that information.





Room temp. heating correction

DIP1-3	DIP1-2	Correction
off	off	0 (+2 deg.)
off	on	1 (-2 deg.)
on	off	2 (0 deg.)
on	on	3 (+4 deg.)

Remote controller custom code switching

JP3	JP2	JP1	Wireless remote controller	Wired remote controller
on	on	on	A (00)	"with thermistor" type
off	on	on	B (01)	weekly type
on	off	on	C (10)	weekly type
off	off	on	D (11)	weekly type
on	on	off	A (00)	weekly type
off	on	off	B (01)	weekly type
on	off	off	C (10)	EZ-098YHSE-R series
off	off	off	D (11)	EZ-09503HSE-R series

SW1 & SW4

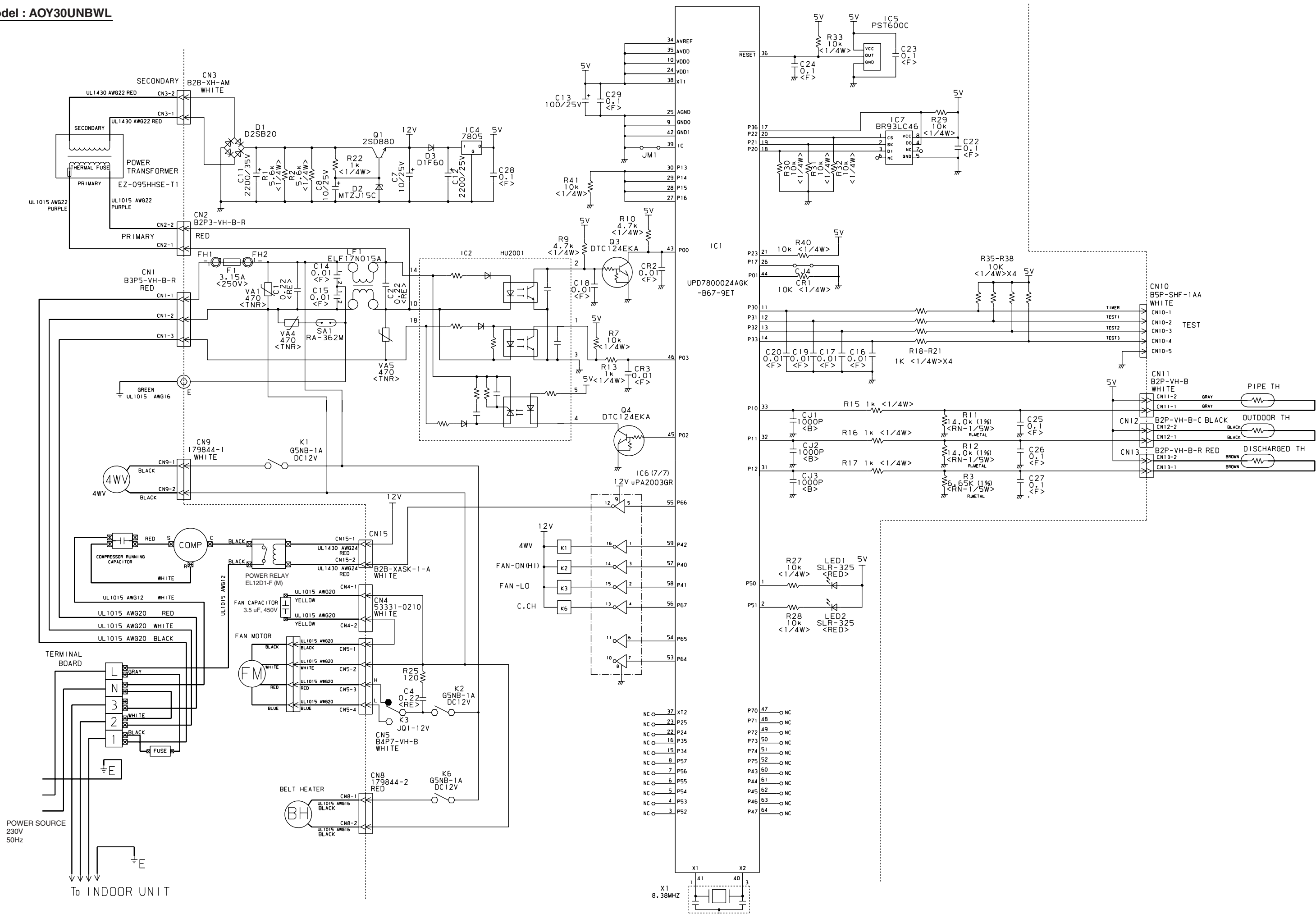
SW	Function	on	off
SW1-1	Auto restart	on	off
SW4-1	Remote controller type change *1	reversal	normal
SW4-2	Fan type change	-	-
SW4-3	Fan delay change (heating operation)	delay	no delay

\*1  
In the normal mode, it works as EEPROM model information "wired / wireless switching" shows. In the reversal mode, it reverses that information.

# OUTDOOR PCB CIRCUIT DIAGRAM

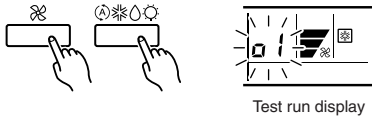
Model : AOY30UNBWL

## CONTROLLER PCB ASSEMBLY ( MAIN PCB ) EZ-0028HUE-C



# ERROR CONTENTS

- Stop the air conditioner operation.
- Press the master control button and the fan control button simultaneously for 2 seconds or more to start the test run.



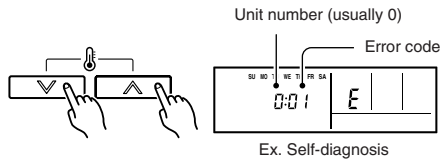
- Press the start/stop button to stop the test run.

## [SELF-DIAGNOSIS]

When the error indication E:EE is displayed, follow the following items to perform the self-diagnosis. E:EE indicates an error has occurred.

### 1. REMOTE CONTROLLER DISPLAY

- Stop the air conditioner operation.
- Press the set temperature buttons  $\wedge$  /  $\vee$  simultaneously for 5 seconds or more to start the self-diagnosis.  
Refer to the following tables for the description of each error code.



- Press the set temperature buttons  $\wedge$  /  $\vee$  simultaneously for 5 seconds or more to stop the self-diagnosis.

Error code	Error contents
<b>00</b>	Communication error (indoor unit ↔ remote controller)
<b>01</b>	Communication error (indoor unit ↔ outdoor unit)
<b>02</b>	Room temperature sensor open
<b>03</b>	Room temperature sensor short-circuited
<b>04</b>	Indoor heat exchanger temperature sensor open
<b>05</b>	Indoor heat exchanger temperature sensor short-circuited
<b>06</b>	Outdoor heat exchanger temperature sensor open
<b>07</b>	Outdoor heat exchanger temperature sensor short-circuited
<b>08</b>	Power source connection error
<b>09</b>	Float switch operated
<b>0A</b>	Outdoor temperature sensor open
<b>0b</b>	Outdoor temperature sensor short-circuited
<b>0c</b>	Discharge pipe temperature sensor open
<b>0d</b>	Discharge pipe temperature sensor short-circuited
<b>0E</b>	Outdoor high pressure abnormal
<b>0F</b>	Discharge pipe temperature abnormal
<b>11</b>	Model abnormal
<b>12</b>	Indoor fan abnormal
<b>13</b>	Outdoor signal abnormal
<b>14</b>	Outdoor EEPROM abnormal

### 2. OUTDOOR UNIT LEDS

When the outdoor temperature drops, the outdoor units fans may switch to low speed.

#### ERROR : HEAT & COOL MODEL (REVERSE CYCLE) ONLY

The LED lamps operate as follows according to the error contents.

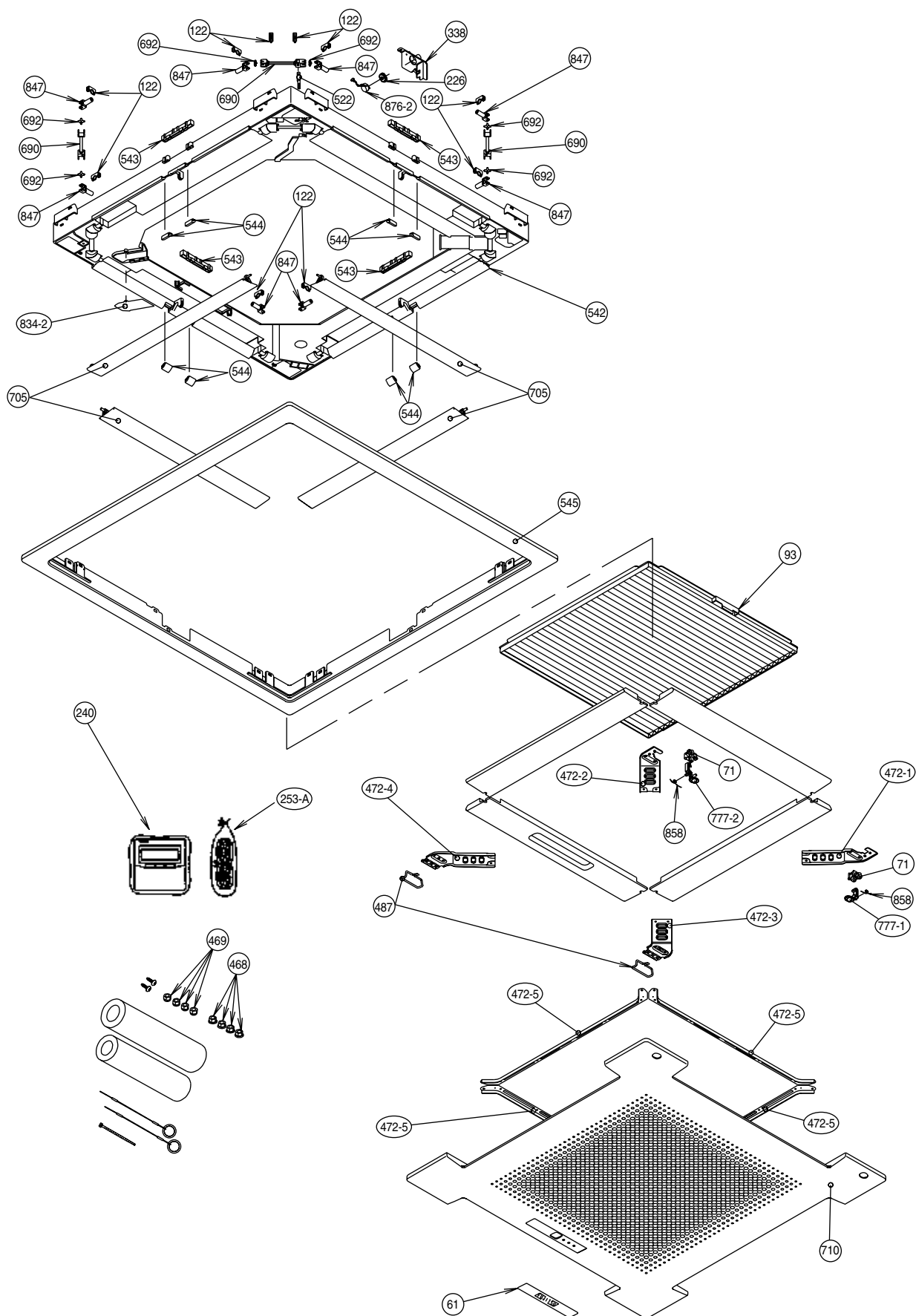
Error display		
LED1	LED2	Error contents
<p>Quick flash continued</p>	<p>Quick flash continued</p>	Model abnormal or EEPROM abnormal
<p>1 quick flash repeated</p>	<p>Lighting continued</p>	Power source connection error
<p>2 quick flash repeated</p>	<p>Lighting continued</p>	Discharge temperature sensor error
<p>3 quick flash repeated</p>	<p>Lighting continued</p>	Outdoor heat exchanger temperature sensor error
<p>4 quick flash repeated</p>	<p>Lighting continued</p>	Outdoor temperature sensor error
<p>5 quick flash repeated</p>	<p>Lighting continued</p>	Communication signal error
<p>6 quick flash repeated</p>	<p>Lighting continued</p>	Indoor unit error
<p>7 quick flash repeated</p>	<p>Lighting continued</p>	Discharge temperature abnormal
<p>8 quick flash repeated</p>	<p>Lighting continued</p>	High pressure abnormal

When the fault is cleared, the LED lamp goes off.

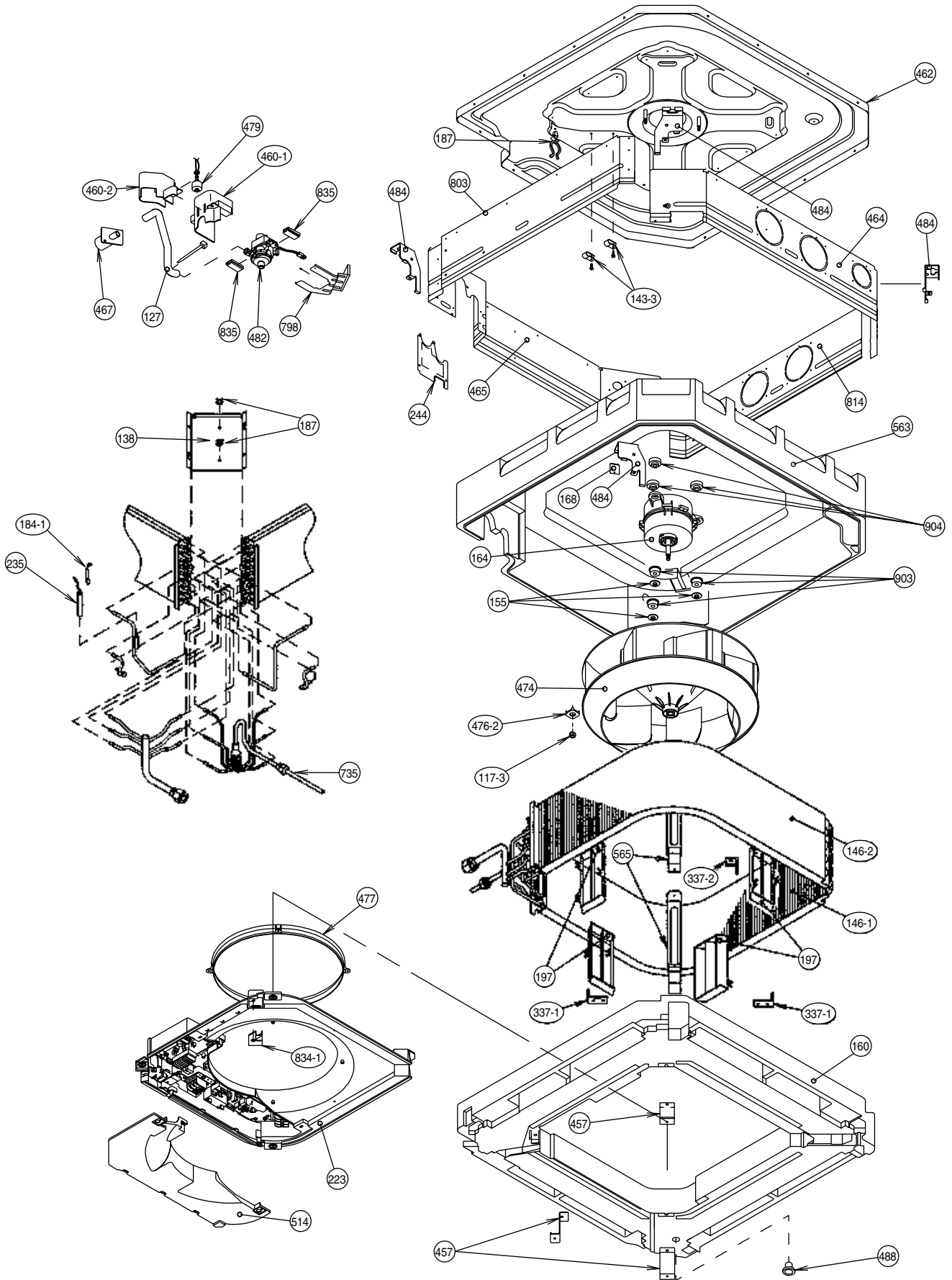
However, for discharge pipe temperature abnormal and high pressure abnormal, the LED lamp lights continuously for 24 hours, as long as the power is not turned off.

# DISASSEMBLY ILLUSTRATION

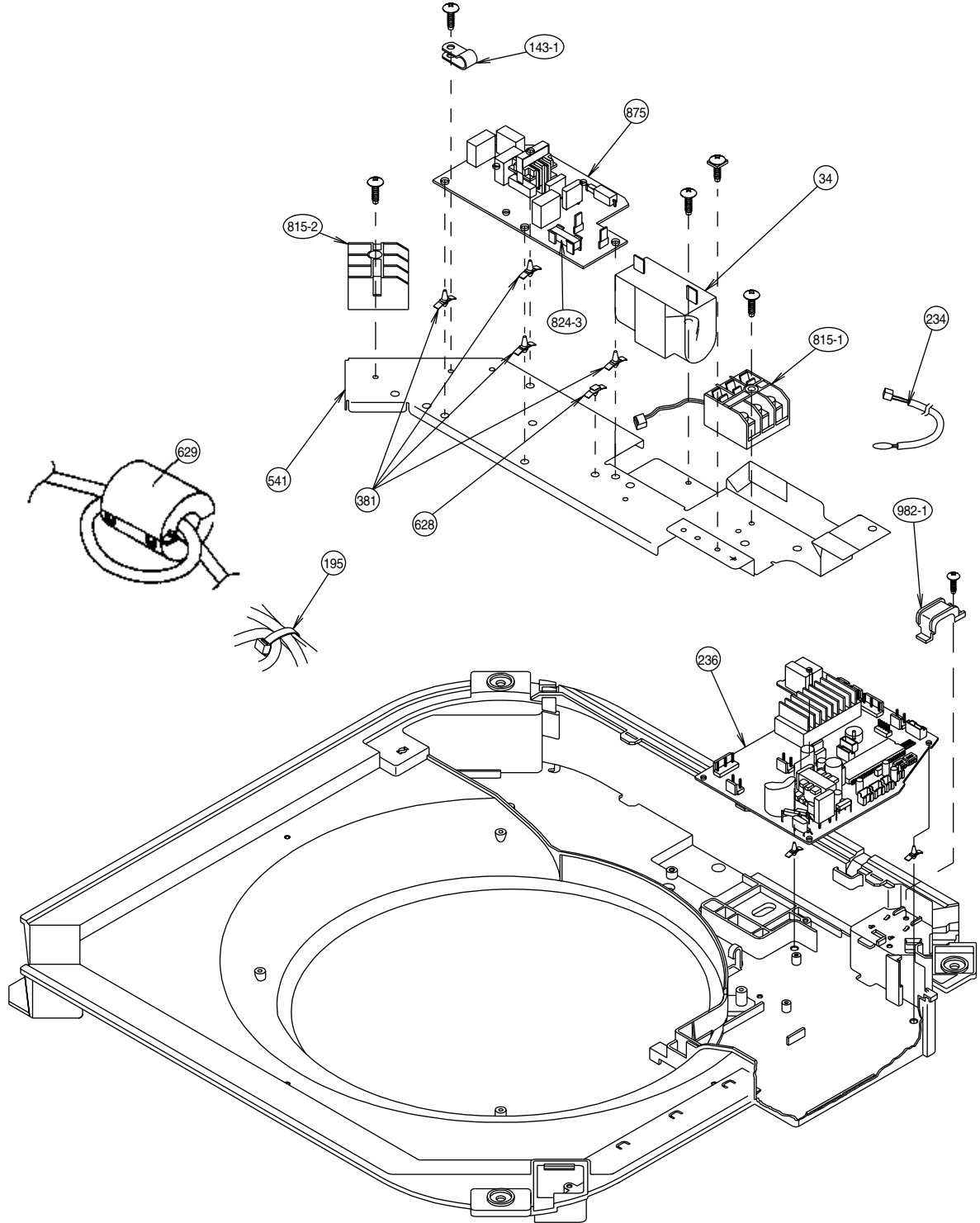
Models : **AUY30FUAR**  
**AUY30UUAR**



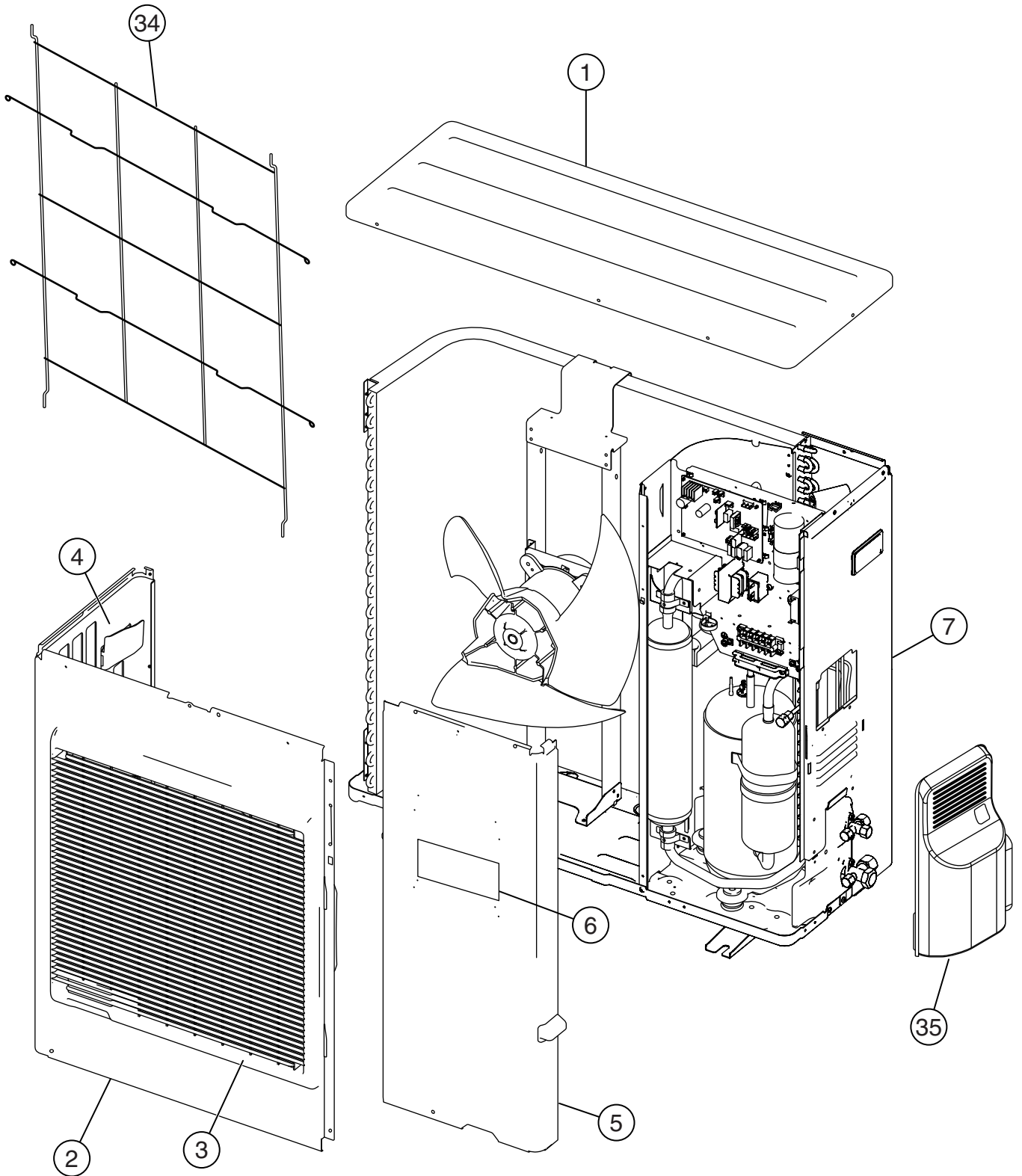
**Models : AUY30FUAR  
AUY30UUAR**



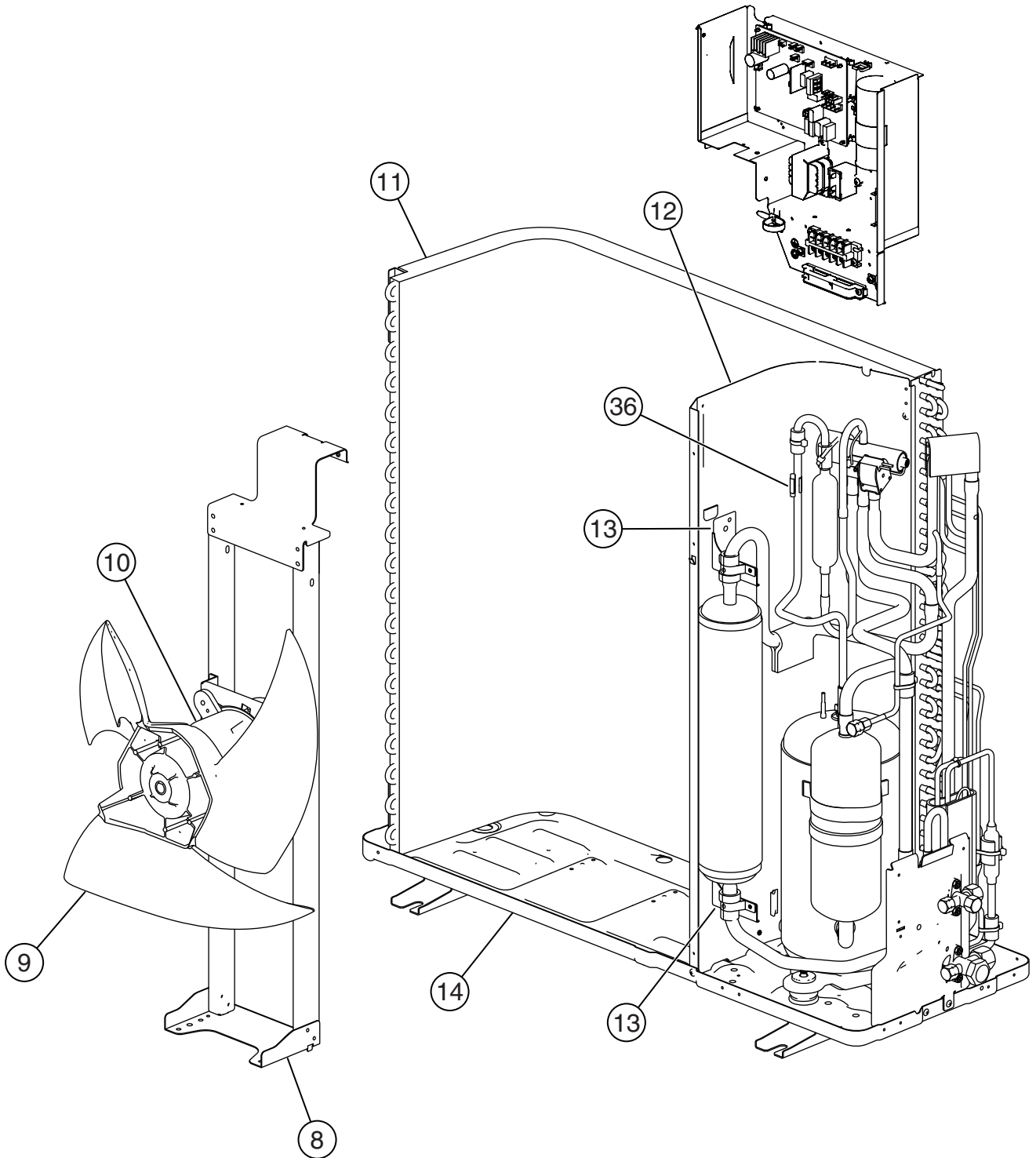
**Models : AUY30FUAR  
AUY30UUAR**



**Models :**  
**AOY30FNBWL**  
**AOY30UNBWL**

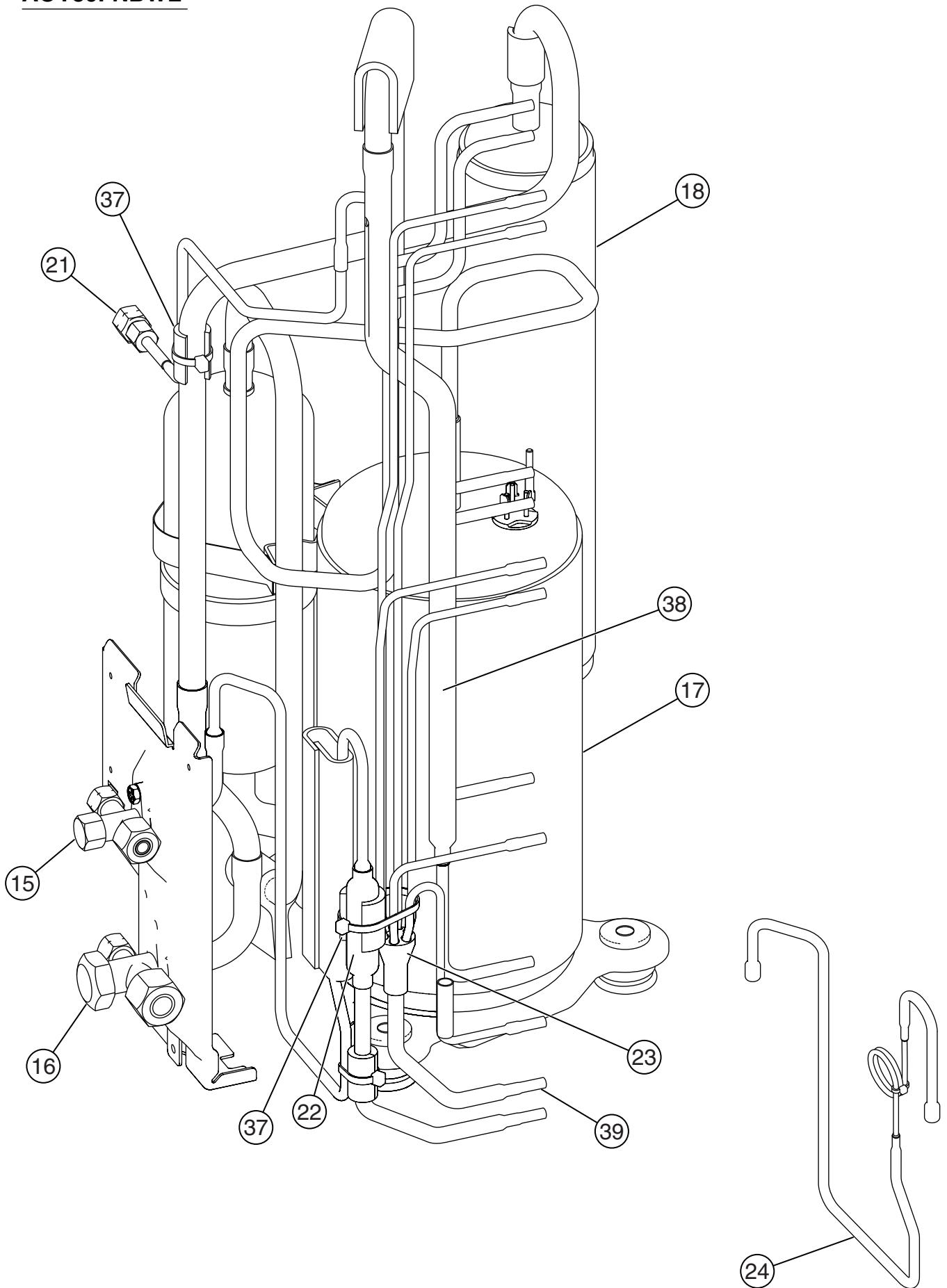


**Models :**  
**AOY30FNBWL**  
**AOY30UNBWL**

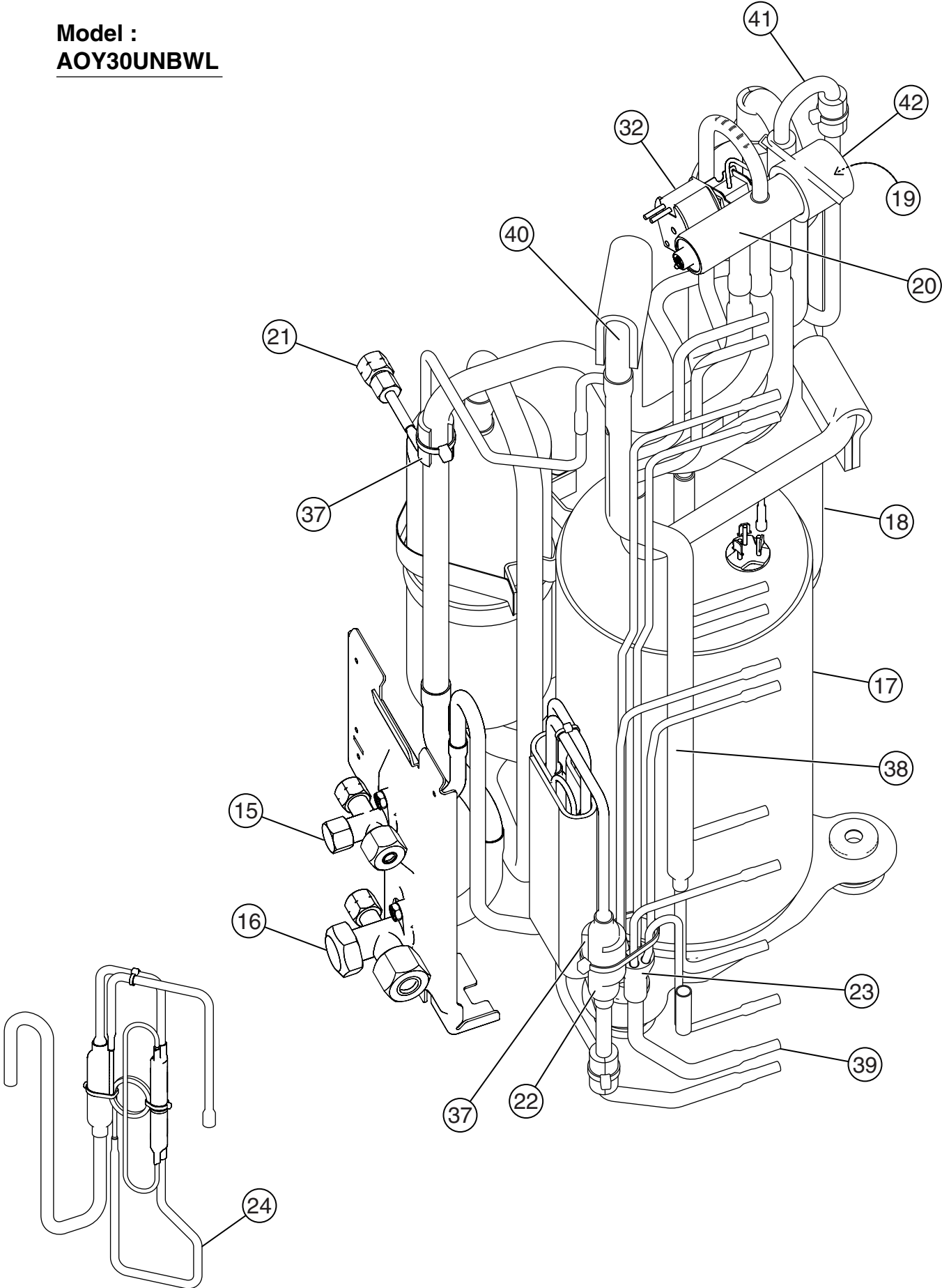




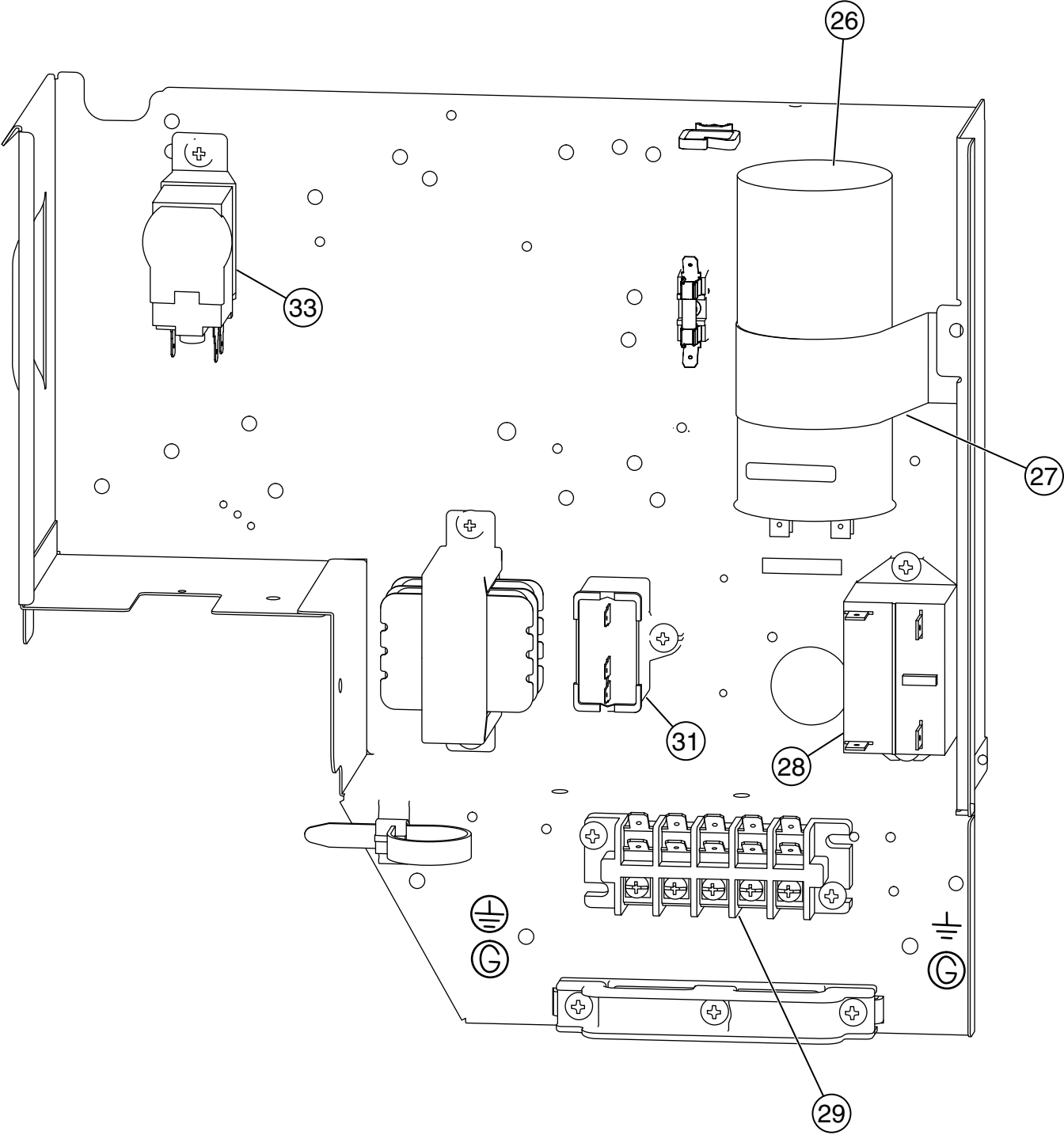
**Model :**  
**AOY30FNBWL**



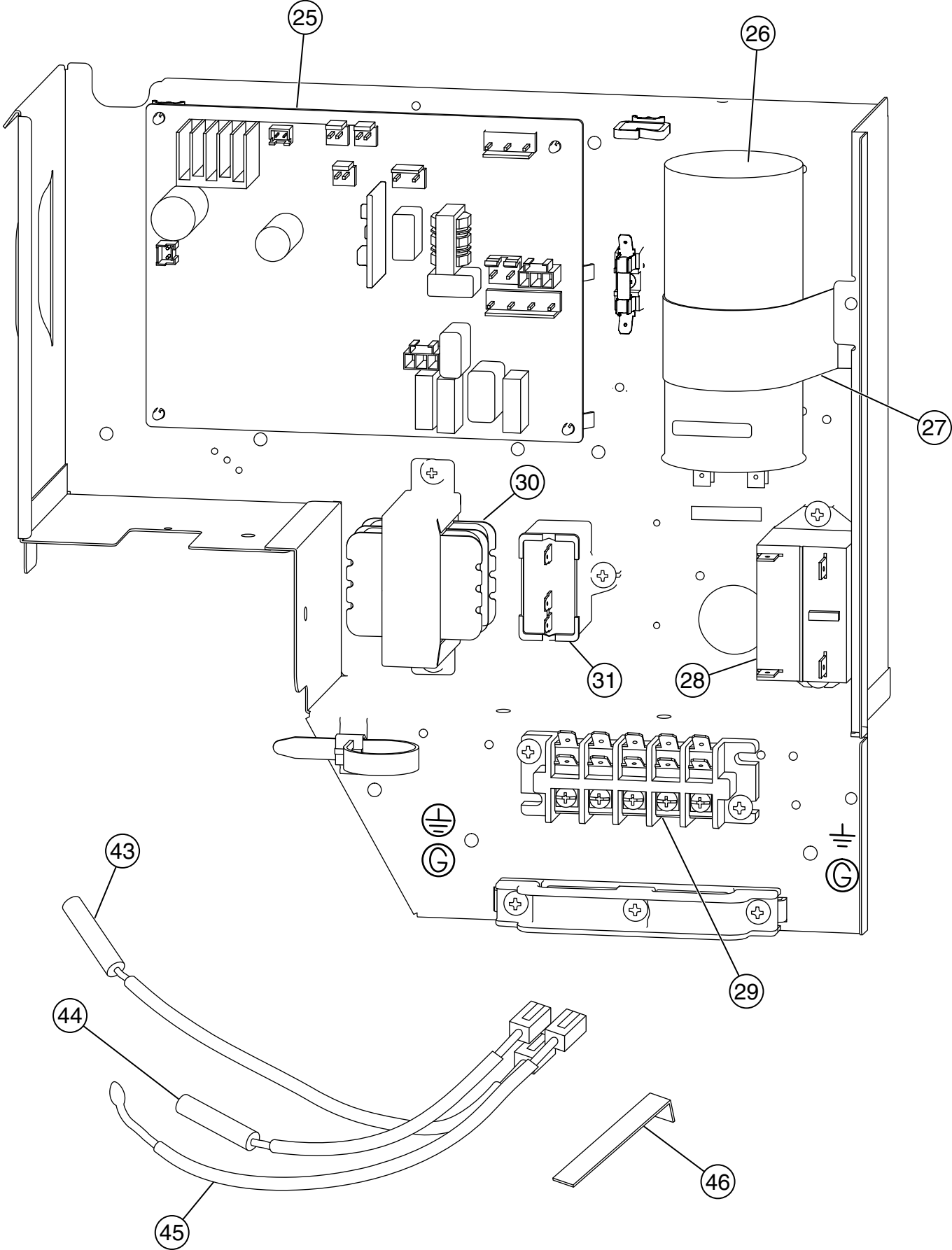
**Model :**  
**AOY30UNBWL**



**Model :**  
**AOY30FNBWL**



**Model :**  
**AOY30UNBWL**



# PARTS LIST

## INDOOR UNIT

Ref. No.	Description	Part No.	Ord. Q'ty	Ref. No.	Description	Part No.	Ord. Q'ty
		AUY30FUAR AUY30UUAR				AUY30FUAR AUY30UUAR	
34	Capacitor (Fan Motor)	9900270216		474	Turbo Fan Assy	9362810012	
61	Decoration Plate	9362787000		476-2	Special Washer	9362756006	
71	Grille Hook Holder	9362782005		477	Bellmouth (B)	9362774000	
93	Filter	9362766005		479	Float Switch	9703285004	
117-3	Hex. Nut w/Spring Washer	301721180114		482	Pump Unit	9703125010	
122	Louver Support Holder	9362799003		484	Hook	9362736008	
127	Drain Hose	9365074008		487	Grille Hinge Wire	9362754002	
138	Separate Wall	9362793001		488	Drain Pan Plug	313005174654	
143-1	Clamp NK-3N	313361274700		514	Control Box Cover	9362763004	
143-3	Clamp NK-9N	313209399700		522	Joint Gear	9362772006	
146-1	Evaporator-A Assy	9373799030		541	Terminal Plate	9363642001	
146-2	Evaporator-B Assy	9373800033		542	Panel Base	9362759014	
155	Special Nut M6	9307615016		543	Panel Frame Holder	9362761017	
160	Drain Pan Assy	9362804004		544	Panel Base Holder	9362760010	
164	Fan Motor Assy-In	9601558019		545	Panel Frame	9362758017	
168	Cabinet-E	9362735001		563	Insulation (Inner Box)	9362797009	
184-1	Thermostat Spring-A	313728262708		565	Evaporator Holder Assy	9362802024	
187	Clamp No.1219	313361271706		628	Locking Spacer-B	313005446558	
195	Clamp SKB-100	313361275805		629	EMI Filter	0400247074	
197	Wind Guide Board	9373444015		690	Joint-A	9362773003	
223	Control Box	9362762007		692	Joint Shaft	9362771009	
226	Motor Gear	9362764001		705	Louver	9362769013	
234	Thermistor Assy-Room	9703299025		710	Intake Grille	9362767019	
235	Thermistor Assy-Pipe	9703297014		735	Distributor Assy	9371325040	
236	Controller PCB Assy (for FUAR) K01AL-040LWSE-C1	9704557889		777-1	Grille Hook-A	9362779012	
236	Controller PCB Assy (for UUAR) K01AL-040KHSE-C1	9704557872		777-2	Grille Hook-B	9362778015	
240	Remote Control Unit (for FUAR)	9372266069		798	Pump Hook Bracket	9362753005	
240	Remote Control Unit (for UUAR)	9372266052		803	Cabinet-D	9362792004	
244	Pipe Cover	9362748001		814	Cabinet-C	9362791007	
253-A	Wire Assy (Remote)	9372714010		815-1	Terminal-3P	9306489069	
337-1	Reinforcement (Eva.)-A	9362749008		815-2	Terminal-3P	9703345012	
337-2	Reinforcement (Eva.)-B	9362750004		824-3	Fuse	0600222512	
338	Motor Holder	9362765008		834-1	Wire Cover-A	9362789004	
381	Locking Spacer	313209391506		834-2	Wire Cover-B	9362788007	
457	Reinforcement (Drain Pan)	9362757003		835	Cushion Rubber (Pump)	9362777001	
460-1	Pump Cover-A	9362775007		847	Louver Supporter	9362770019	
460-2	Pump Cover-B	9362776004		858	Grille Spring	9362755009	
462	Top Cover Plate Assy	9362806022		875	Filter PCB Assy ( for FUAR )	9704561107	
464	Cabinet-A Assy	9362807012		875	Filter PCB Assy ( for UUAR )	9704561091	
465	Cabinet-B Assy	9362808019		876-2	Step Motor	9360307019	
467	Drain Port	9362786003		903	Rubber (Vibration-proof) A	9364891002	
468	Special Nut-A (Large)	313005446653		904	Rubber (Vibration-proof) B	9364892009	
469	Special Nut-B (Small)	313005446759		982-1	Cord Clamp	9356857009	
472-1	Grille Reinforcement-A	9362738002					
472-2	Grille Reinforcement-B	9362739009					
472-3	Grille Reinforcement-C	9362740005					
472-4	Grille Reinforcement-D	9362741002					
472-5	Grille Reinforcement-E	9362742009					

# OUTDOOR UNIT


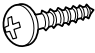


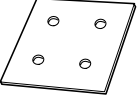


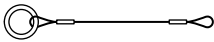
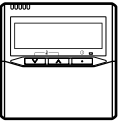
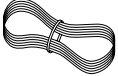
Ref.	Description	Part number
		AOY30FNBWL
1	Top Panel Sub Assy	9374417018
2	Front Panel	9374094066
3	Fan Guard	9374330010
4	Grip Side	9374173013
5	Service Panel Sub Assy	9374415038
6	Emblem-Rear	9351355005
7	Right Panel Sub Assy	9374416035
8	Motor Bracket Sub Assy	9374418039
9	Propeller Fan Assy	9366378013
10	Fan Motor	9601671060
11	Condenser Assy	9374433063
12	Separate Wall Sub Assy	9374413034
13	Accumulator Support-B	9355350006
14	Base Assy	9374166046
15	3-Way Valve Assy	9372205044
16	3-Way Valve Assy	9372205075
17	Compressor Assy	9372558089
18	Accumulator	9374338016
21	Check Valve Assy	9374274024
22	Strainer Assy	9372524015
23	Distributor	9369128004
24	Capillary Assy	9372197349
26	Capacitor Plastic	9900269081
27	Capacitor Clamp	9351770013
28	Relay	9900074012
29	Terminal 5P	9900203023
31	Capacitor (Fan)	9900270049
33	Thermostat Outdoor	9900275013
34	Protective Net	9374255030
35	Valve Cover	9374174010
37	Capillary Holder Rubber	313394274808
38	Inlet Pipe (Condenser) A Assy	9373461067
39	Outlet Pipe (Condenser) A Assy	9374266050
	Special Nut M5 (compressor)	9300301015
	Discharge A Assy	9372264089
	Inlet Pipe (Condenser) C Assy	9374469017
	Cover Gasket (Comp)	9371512013
	Terminal Cover (Compressor)	9371511016
	Rubber Seat (Compressor)	9351049010
	Compressor Cover	9374430031

Ref.	Description	Part number
		AOY30UNBWL
1	Top Panel Sub Assy	9374417018
2	Front Panel	9374094066
3	Fan Guard	9374330010
4	Grip Side	9374173013
5	Service Panel Sub Assy	9374415038
6	Emblem-Rear	9351355005
7	Right Panel Sub Assy	9374416035
8	Motor Bracket Sub Assy	9374418039
9	Propeller Fan Assy	9366378013
10	Fan Motor	9601671060
11	Condenser Assy	9374433056
12	Separate Wall Sub Assy	9374413034
13	Accumulator Support-B	9355350006
14	Base Assy	9374166046
15	3-Way Valve Assy	9372205044
16	3-Way Valve Assy	9372205075
17	Compressor Assy	9372558089
18	Accumulator	9374338016
19	Muffler	9372369012
20	4-Way Valve	9900163013
21	Check Valve Assy	9374274024
22	Strainer Assy	9372524015
23	Distributor	9369128004
24	Capillary Assy	9372197325
25	Controller PCB Assy	9704299024
26	Running Capacitor	9900269081
27	Capacitor Clamp	9351770013
28	Main Relay	9900074029
29	Terminal 5P	9900203023
30	Transformer	9900039011
31	Capacitor (Fan)	9900270049
32	Solenoid	9900165055
34	Protective Net	9374255030
35	Valve Cover	9374174010
36	Thermostat Holder	9357804002
37	Capillary Holder Rubber	313394274808
38	Inlet Pipe (Condenser) A Assy	9373461067
39	Outlet Pipe (Condenser) A Assy	9374266050
40	Inlet Pipe (Condenser) C Assy	9374469017
41	Discharge B Assy	9372246054
42	4-Way Valve Rubber	313728251908
43	Heat Exchanger Thermistor	9900043049
44	Thermistor-Discharge	9900038038
45	Thermistor (Out Temp)	9900037048
46	Thermo. Spring A	313728262708
	Cover Gasket (Comp)	9371512013
	Terminal Cover (Compressor)	9371511016
	Rubber Seat (Compressor)	9351049010
	Compressor Cover	9374430031
	Varistor	0000361224
	Varistor (Arrester)	0600280154
	Relay on PCB	9900200015
	Belt Heater	9361140257
	Special Nut M5 (compressor)	9300301015

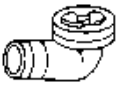
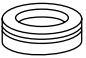
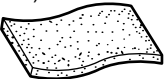
# STANDARD ACCESSORIES

The following installation parts are furnished.  
Use them as required.

## INDOOR UNIT ACCESSORIES

Name and Shape	Q'ty	Application
Coupler heat insulation 	2	For indoor side pipe joint 9350716029 } 1 each 9352766015 }
Screw 	2	For installing the remote controller 0700181108
Special nut A (large flange) 	4	For installing indoor unit 313005446653
Special nut B (small flange) 	4	For installing indoor unit 313005446759
Template 	1	For ceiling hole cutting 9363173000
Binder 	1	For remote controller and remote controller cord binding 313361275805 (Small)
Blower cover insulation 	2	For discharged air 9363265002
Hook wire 	2	For installing intake grille 9363168006
Remote controller 	1	(Cooling model) 9372266069 (Cooling & Heating model) 9372266052
Remote controller cord 	1	For connecting the remote controller 9372714010

## OUTDOOR UNIT ACCESSORIES

Name and Shape	Q'ty	Application
Drain pipe 	1	For outdoor unit drain piping work (May not be supplied, depending on the model.)
Drain cap 	2	
Insulation (seal) 	1	For filling in a gap at the entrance of connection cords

## OPTIONS

The following options are available.

ADDITIONAL GRILLE ASSY : UTG-AGEA-W (P/N 9002230002)

Simple remote controller : UTB-YPB (P/N 9077582006)

0502G2753