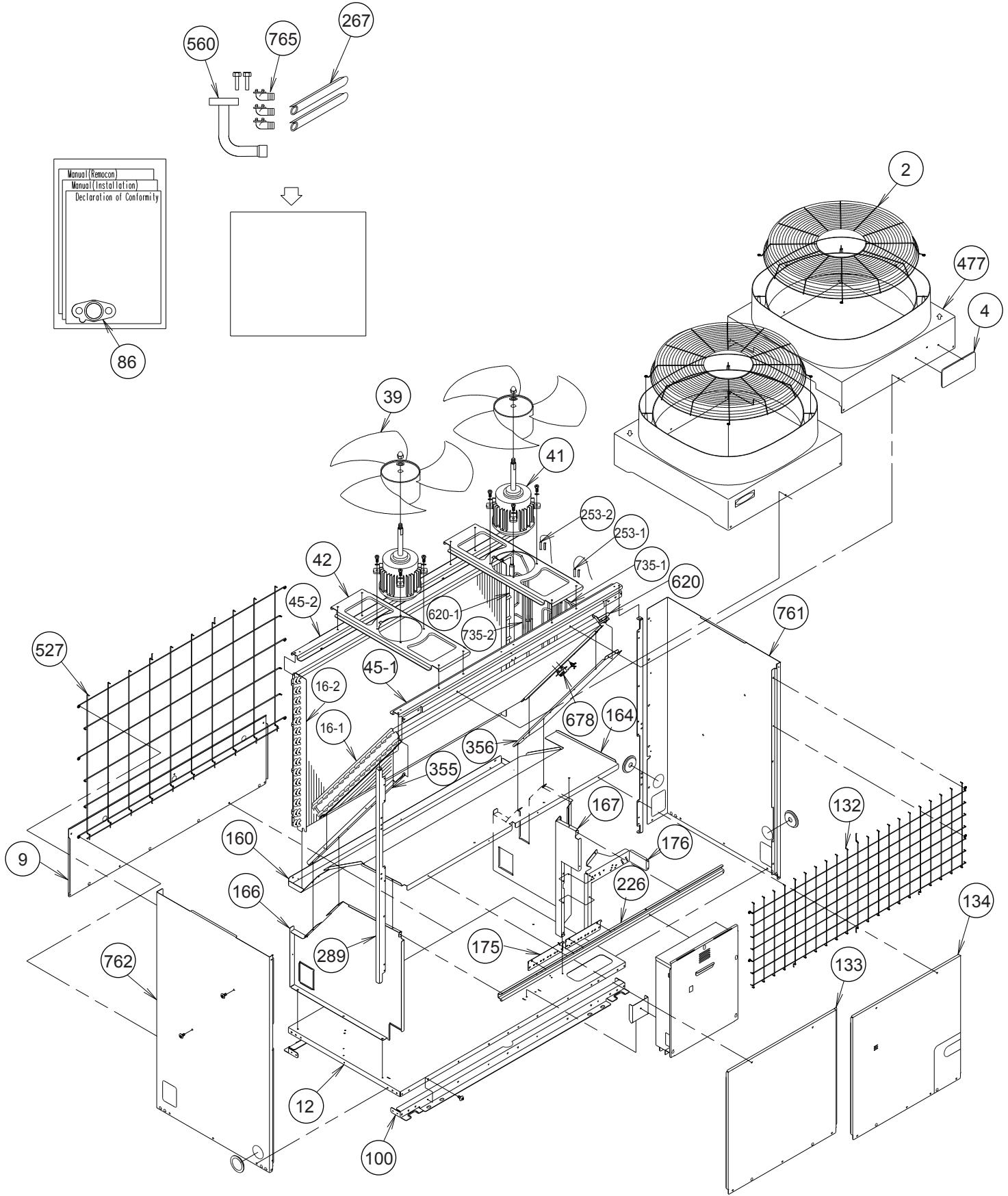
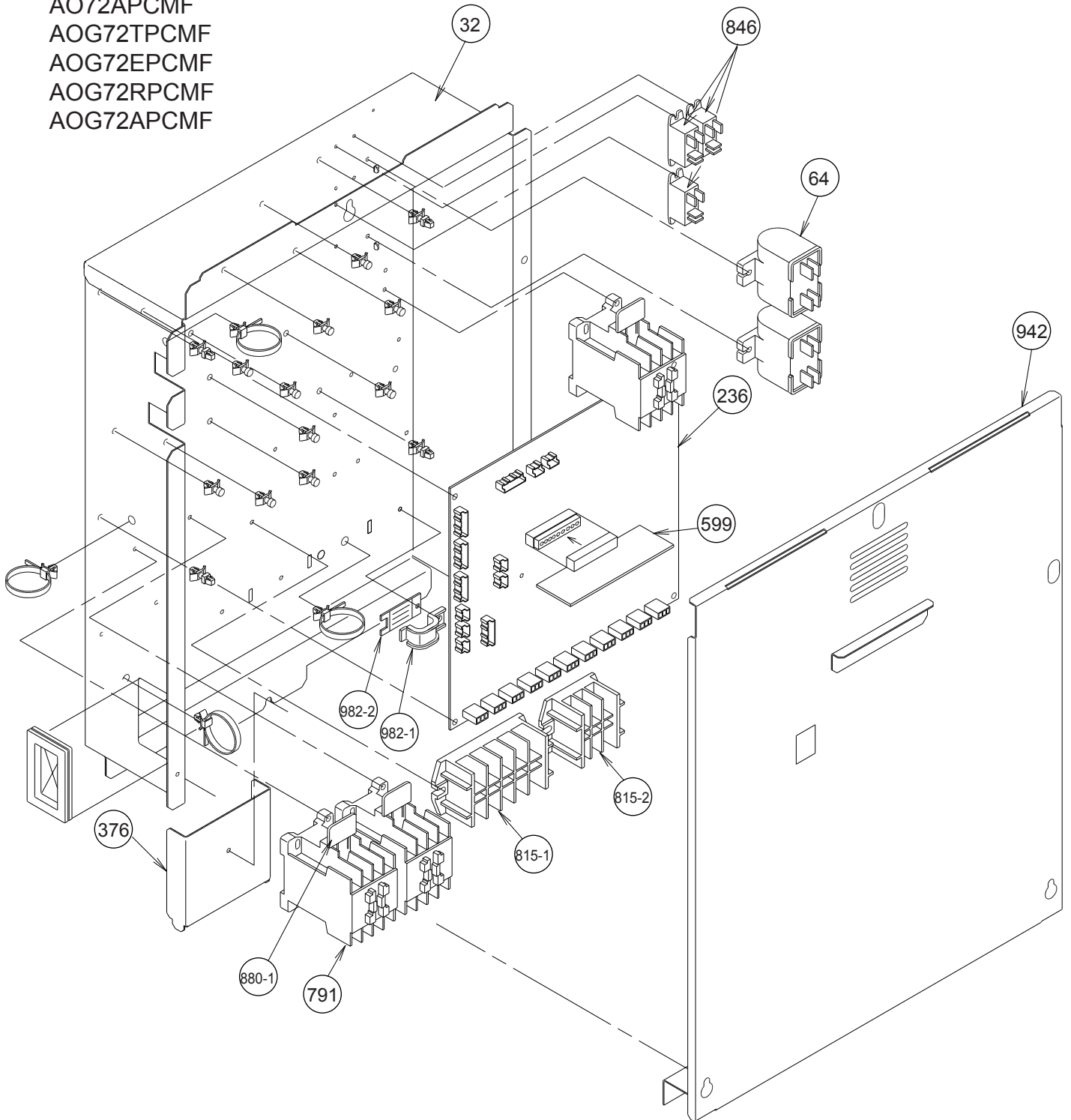


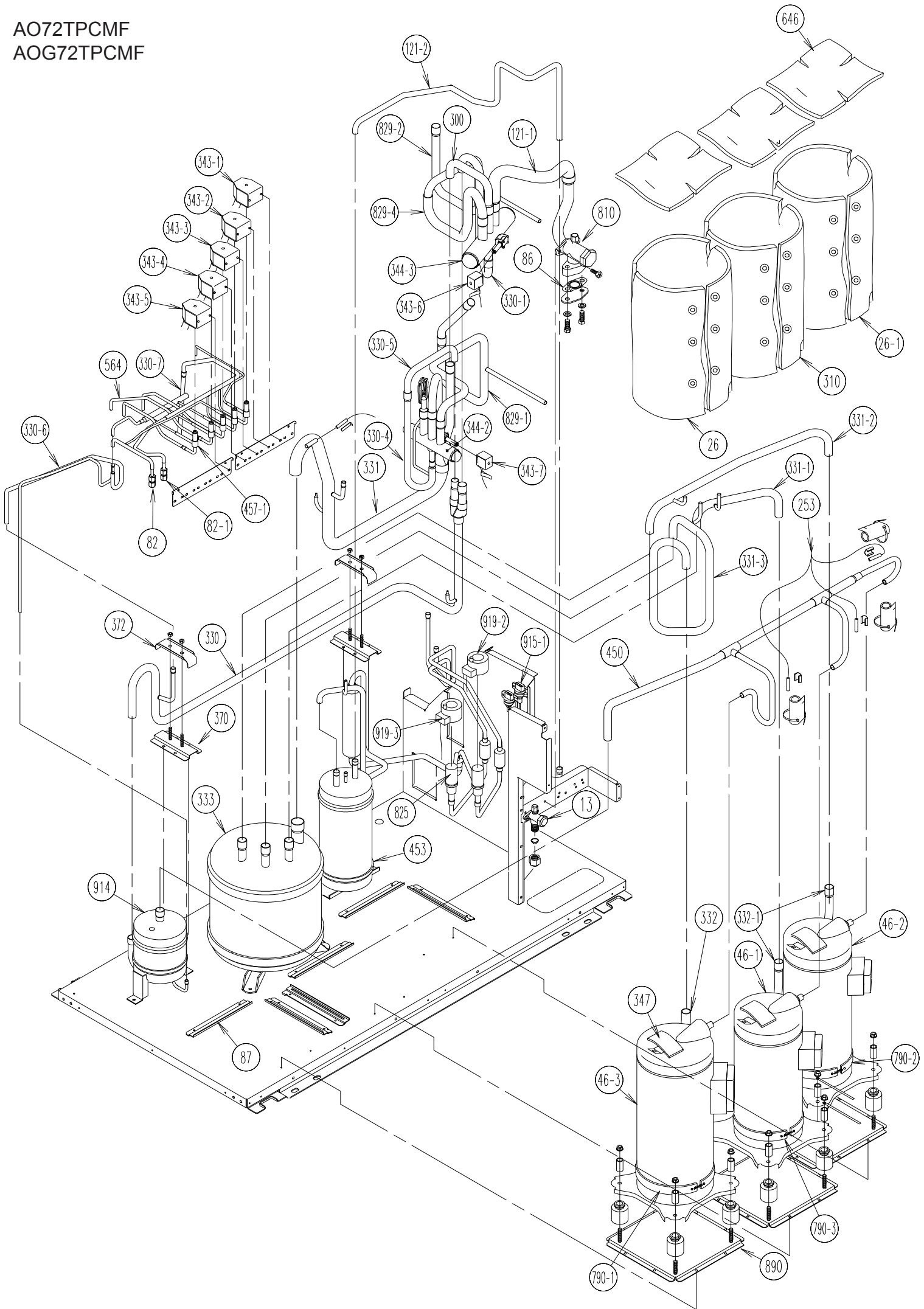
AO72TPCMF
AO72EPCMF
AO72RPCMF
AO72APCMF
AOG72TPCMF
AOG72EPCMF
AOG72RPCMF
AOG72APCMF



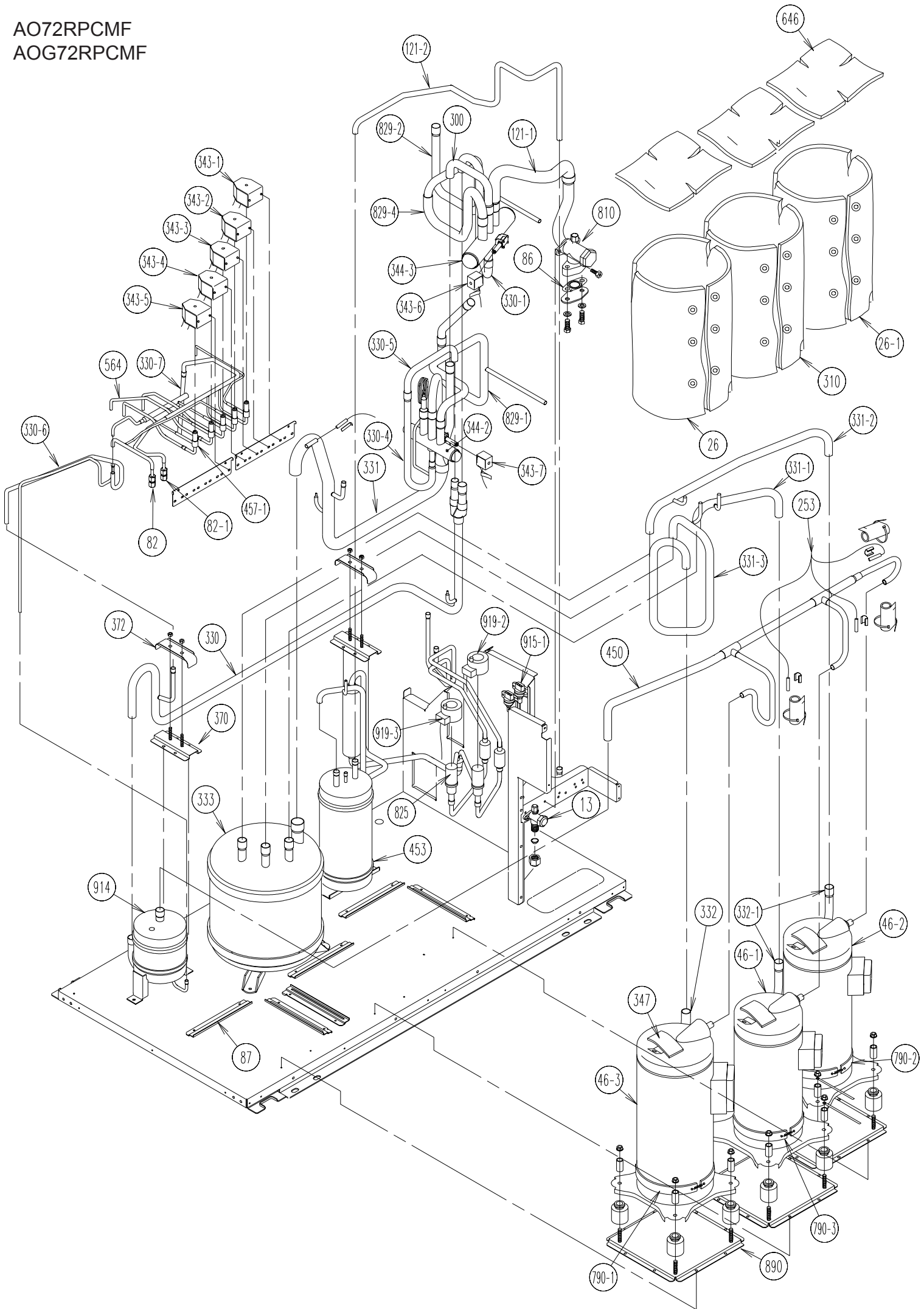
AO72TPCMF
AO72EPCMF
AO72RPCMF
AO72APCMF
AOG72TPCMF
AOG72EPCMF
AOG72RPCMF
AOG72APCMF



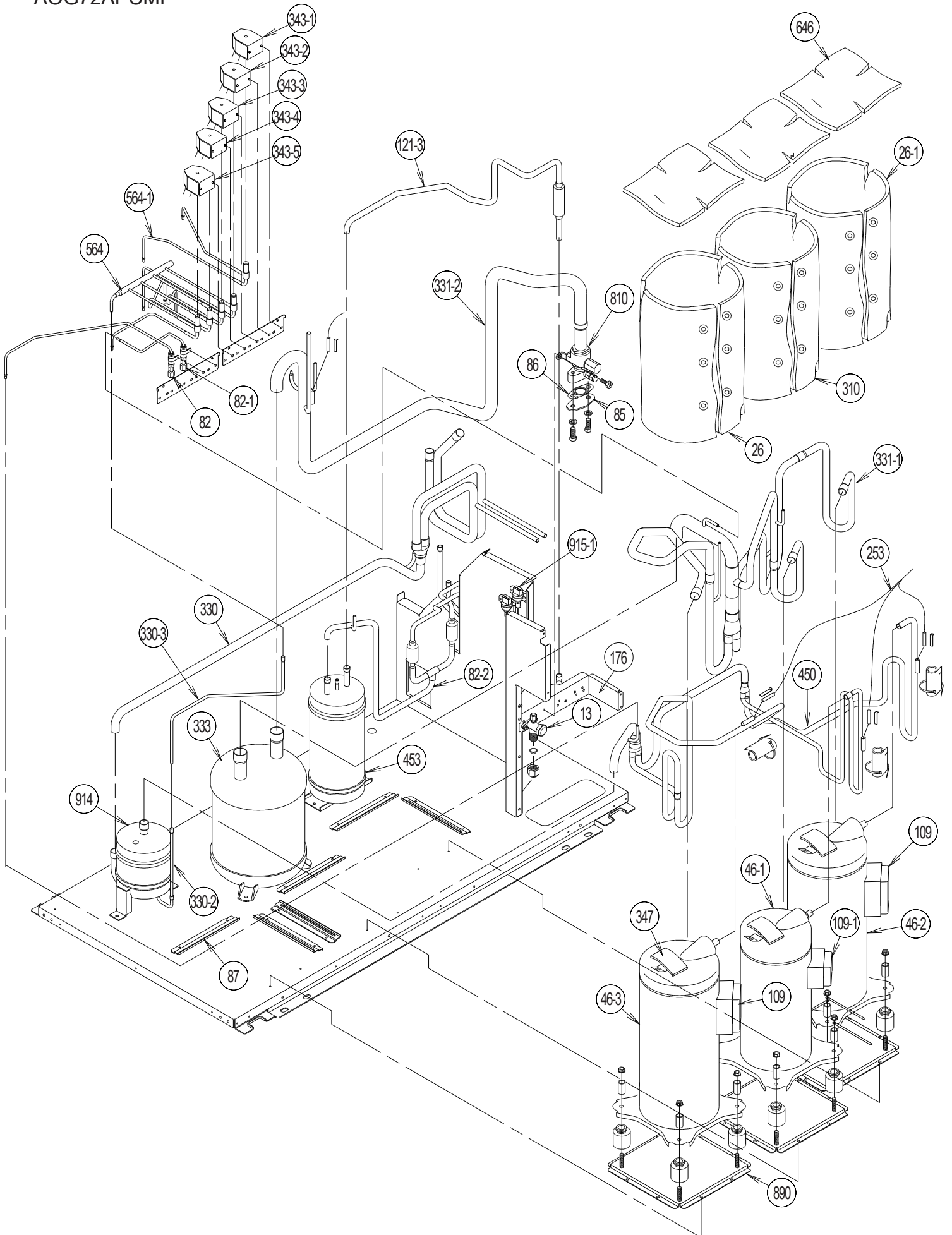
AO72TPCMF
AOG72TPCMF



AO72RPCMF
AOG72RPCMF



AO72APCMF
AOG72APCMF



AO72TPCMF
AO72EPCMF
AOG72TPCMF
AOG72EPCMF

Ref	Description	Parts No.		Ref	Description	Parts No.	
		T	E			T	E
2	FAN COVER	9366142010	9366142010	343-3	SOLENOID SV1RED	9970007019	9970007019
4	EMBLEM (FUJITSU)	9359836018	9359836018	343-4	SOLENOID SV2 WHITE	9970007026	9970007026
4	EMBLEM-REAR(GENERAL)	313791088308	313791088308	343-5	SOLENOID SV3 BLACK	9970007033	9970007033
9	REAR PANEL SUB ASSY	9362943017	9362943017	343-2	SOLENOID SV4 TELLOW	9970007040	9970007040
12	BASE ASSY	9372336021	9372336021	343-1	SOLENOID SV5 BLUE	9970007057	9970007057
13	3-WAY VALVE ASSY	9368997007	9368997007	343-6	SOLENOID 4WV1 RED	9970008016	
15	DRYER	9369978012	9369978012	343-7	SOLENOID 4WV2 TELLOW	9970008023	9970008023
16-1	CONDENSER A ASSY	9370133059	9370133059	344-2	4-WAYVALVE 2	9353532008	9353532008
16-2	CONDENSER B ASSY	9370133028	9370133028	344-3	4-WAYVALVE 1	9703884009	
26	COMPRESSOR COVER-A	9361935006	9361935006	347	NOISEINSULATION-D	313712304109	313712304109
26-1	COMPRESSOR COVER	9370774023	9370774023	355	BRACKET(CONDENSER)-L SUB ASSY	9362958011	9362958011
32	CONTROL BOX	9361713000	9361713000	356	BRACKET(CONDENSER)-R SUB ASSY	9362959018	9362959018
39	PROPELLER FAN	9361726000	9361726000	376	BRACKET(CONTROLBOX)	9361727007	9361727007
41	FAN MOTOR ASSY-OUTER	9601271017	9601271017	450	DISCHARGE PIPE A ASSY	9375074043	9375074043
42	BRACKET PANEL(MOTOR)	9361703001	9361703001	453	RECEIVER TANK ASSY	9366371007	9366371007
45-1	BRACKET(MOTOR)A ASY	9362960014	9362960014	457-1	SOLENOID VALVE	9703889028	9703889028
45-2	BRACKET(MOTOR)B ASY	9362963015	9362963015	477	BELLMOUTH	9361721005	9361721005
46-1	COMPRESSOR A ASSY	9367379002	9367379002	527	CONDENSER GUARD	9366143017	9366143017
46-2	COMPRESSOR B ASSY	9370772036	9370772036	564	BYPASS ASSY	9375081027	9375081027
46-3	COMPRESSOR C ASSY	9370773026	9370773026	560	FLANGE ASSY E895	9363035001	9363035001
64	CAPACITOR(FANMOTOR)	9703306037	9703306037	599	SIGNAL PCB ASSY	9704424044	9704424044
82	JOINT,PIPE(CHECKJOINT) A	9369889004	9369889004	620	INLET,PIPE (CONDENSER)B ASSY	9370789010	9370789010
82-1	JOINT.PIPE(CHECKJOINT) B	9369891007	9369891007	620-1	INLET,PIPE (CONDENSER)A ASSY	9369913006	9369913006
85	VALVE PLATE	9363063004	9363063004	646	COMPRESSOR COVER-B	9361936003	9361936003
86	GASKET	9363272000	9363272000	678	BRACKET(THERMISTOR)	313557406106	313557406106
87	BRACKET(COMPRESSOR)	9361694002	9361694002	735-1	DISTORIBUTOR-A,ASSY	9375099039	9370782011
100	BASE FOOT PAINTED	9361688025	9361688025	735-2	DISTORIBUTOR-B,ASSY	9375099022	9369917004
109	TERMINAL COVER(COMP)	9364087009	9364087009	761	SIDE PANEL-R SUB ASSY	9362941020	9362941020
109-1	TERMINAL COVER(COMP)	9366265009	9366265009	762	SIDE PANEL-L SUB ASSY	9362940016	9362940016
121-1	BALL VALVE JOINT A	9369893001		765	DRAIN PIPE,(I-TYPE)	9301102000	
121-2	BALL VALVE JOINT B	9369894008	9369894008	790-1	BELT HEATER A	9361140097	9361140097
132	FRONT PROTECTION NET	9366144014	9366144014	790-2	BELT HEATER B	9361140158	9361140158
133	FRONT PANEL-L	9361709027	9361709027	790-3	BELT HEATER C	9361140073	9361140073
134	FRONT PANEL-R SUB ASSY	9362965347	9361710047	791	MAGNETIC RELAY	9900227012	9900227012
160	DRAIN PAN SUB ASSY	9362961011	9362961011	810	3-WAY VALVE ASSY BALL VALVE-B-	9373989028 9361938007	9373989028 9361938007
164	SEPARATE WALL-UPPER SUB ASSY	9362942027	9362942027	815-2	TERMINAL 3P	9358660027	9358660027
166	SEPARATE WALL-L	9361695009	9361695009	815-1	TERMINAL 5P	9363275018	9363275018
167	SEPARATE WALL-R SUB ASSY	9362948036	9362948036	825	EXPANSION VALVE ASSY	9370765014	9370765014
175	BRKT PNL(SVLV)	9364230009	9364230009	825	EXPANSION,VALVE	9370365009	9370365009
176	BRACKET(VALVE)-A	9368955007	9368955007	829-1	JOINT PIPE A ASSY	9370841015	9370841015
226	REIN FORCEMENT(SEPA WALL) SUB ASSY	9362949026	9362949026	829-2	JOINT PIPE B ASSY	9369862007	
236	CONTROLLER PCB ASSY	9704723017	9704723017	829-2	JOINT PIPE B ASSY		9370775013
253	WIRE WITH CONNECTOR	9703878015	9703878015	829-4	JOINT PIPE C1	9375101015	
253	TEHRMISTOR ASSY	9900098018	9900098018	846	RELAY	9900295011	9900295011
253-1	THERMISTOR(H.E.1)	9900099015		880-1	NETWORK(C-R)	9700987017	9700987017
253-2	THERMISTOR(H.E.2)	9900099022		890	BRKTPNL(COMP)ASSY	9364208008	9364208008
253-3	THERMISTOR SPRING	9372140017	9372140017	914	OILSEPARATOR ASSY	9369947001	9369947001
267	INSULATION(PIPE)-C	9363828009	9363828009	915-1	PRESSURE SENSOR	9900097011	9900097011
289	REINFORCEMENTSIDE PANEL SUB ASSY	9362955010	9362955010	919-2	COIL(EXPANSIONVALVE	9370435009	9370435009
300	SUCTION PIPE C	9369895005		919-3	COIL(EXPANSIONVALVE	9370436006	9370436006
310	COMPRESSOR COVER	9366132004	9366132004	942	CONTROL BOX COVER SUB ASSY	9362950084	9362950107
330	JOINT PIPE A ASSY (OIL SEPA)	9375085018	9375085018	982-1	CORD CLAMP	9356857009	9356857009
330-1	JOINT PIPE B(OIL SEPA)	9369896002		982-2	CORD CLAMP B	9356858006	9356858006
330-4	JOINT PIPE D(OIL SEPA)	9375094010	9375094010		VARISTER	0000361224	0000361224
330-5	JOINT PIPE E ASSY (OIL SEPA)	9375098018	9375098018		ARRESTER	0600280154	0600280154
330-6	JOINT PIPE C ASSY (OIL SEPA)	9375091019	9375091019		FUSE	0600222574	0600222574
330-7	JOINT PIPE (BYPS)J1	9375092054	9375092054				
331	SUCTION PIPE A ASSY	9375087029					
331	SUCTION PIPE A ASSY		9375087036				
331-1	SUCTION PIPE ASSY (2HP)	9375076016	9375076016				
331-2	SUCTION PIPE ASSY (4HP)	9375076023	9375076023				
331-3	SUCTION PIPE ASSY (6HP)	9375076030	9375076030				
332	JOINT PIPE (COMP) A	9375078010	9375078010				
332-1	JOINT PIPE (COMP) B	9375078027	9375078027				
333	ACCUMLATOR ASSY	9375073015	9375073015				
334	DRYER JOINT PIPE ASSY	9370766011	9370766011				

A072RPCMF
AOG72RPCMF

Ref	Description	Parts No.	Ref	Description	Parts No.
2	FAN COVER	9366142010	332	SUCTION PIPE (COMP) A	9375078010
4	EMBLEM (FUJITSU)	9359836018	332-1	SUCTION PIPE (COMP) B	9375078027
4	EMBLEM-REAR(GENERAL)	313791088308	333	ACCUMULATOR ASSY	9375073015
9	REAR PANEL SUB ASSY	9362943017	343-3	SOLENOID SV1 RED	9970007019
12	BASE ASSY	9372336021	343-4	SOLENOID SV2 WHITE	9970007026
13	3-WAY VALVE ASSY	9368997007	343-5	SOLENOID SV3 BLACK	9970007033
16-1	CONDENSER A ASSY	9370133059	343-2	SOLENOID SV4 YELLOW	9970007040
16-2	CONDENSER B ASSY	9370133028	343-1	SOLENOID SV5 BLUE	9970007057
26	COMPRESSOR COVER-A	9361935006	343-6	SOLENOID 4WV1 RED	9970008016
26-1	COMPRESSOR COVER	9370774023	343-7	SOLENOID 4WV2 YELLOW	9970008023
32	CONTROL BOX	9361713000	344-2	4-WAYVALVE 2	9353532008
39	PROPELLER FAN	9361726000	344-3	4-WAYVALVE 1	9703884009
41	FAN MOTOR ASSY-OUTER	9601271017	347	NOISEINSULATION-D	313712304109
42	BRACKET PANEL(MOTOR)	9361703001	355	BRACKET(CONDENSER)-L SUB ASSY	9362958011
45-1	BRACKET(MOTOR) A ASSY	9362960014	356	BRACKET(CONDENSER)-R SUB ASSY	9362959018
45-2	BRACKET(MOTOR) B ASSY	9362963015	376	BRACKET(CONTROLBOX)	9361727007
46-1	COMPRESSOR A ASSY	9370065008	450	DISCHARG PIPE ASSY	9375074043
46-2	COMPRESSOR B ASSY	9370772029	453	RECEIVER TANK ASSY	9366371007
46-3	COMPRESSOR C ASSY	9370773019	457-1	SOLENOID VALVE	9703889028
64	CAPACITOR(FANMOTOR)	9703306037	477	BELLMOUTH	9361721005
82	JOINT,PIPE(CHECKJOINT) A	9369889004	527	CONDENSER GUARD	9366143017
82-1	JOINT,PIPE(CHECKJOINT) B	9369891007	564	BYPASS ASSY	9375081027
85	VALVE PLATE	9363063004	560	FLANGE ASSY E895	9363035001
86	GASKET	9363272000	599	SIGNAL PCB ASSY	9704424044
87	BRACKET(COMPRESSOR)	9361694002	620	INLET,PIPE (CONDENSER)B ASSY	9370789010
100	BASE FOOT PAINTED	9361688025	620-1	INLET,PIPE (CONDENSER)A ASSY	9369913006
109	TERMINAL COVER(COMP.B&C)	9364087009	646	COMPRESSOR COVER-B	9361936003
109-1	TERMINAL COVER(COMP. A)	9366265009	678	BRACKET(THERMISTOR)	313557406106
121-1	BALL VALVE JOINT A	9369893001	735-1	DISTORIBUTOR-A,ASSY	9375099039
121-2	BALL VALVE JOINT B	9369894008	735-2	DISTORIBUTOR-B,ASSY	9375099022
132	FRONT PROTECTION NET	9366144014	761	SIDE PANEL-R SUB ASSY	9362941020
133	FRONT PANEL-L	9361709027	762	SIDE PANEL-L SUB ASSY	9362940016
134	FRONT PANEL-R SUB ASSY	9361716047	765	DRAIN PIPE,(I-TYPE)	9301102000
160	DRAIN PAN SUB ASSY	9362961011	790-1	BELT HEATER A	9361140097
164	SEPARATE WALL-UPPER	9362942027	790-2	BELT HEATER B	9361140158
166	SEPARATE WALL-L	9361695009	790-3	BELT HEATER C	9361140073
167	SEPARATE WALL-R SUB ASSY	9362948036	791	MAGNETIC RELAY	9900227012
175	BRKT PNL(SVLV)	9364230009	810	3-WAY VALVE ASSY	9373989028
176	BRACKET(VALVE)-A	9368955007		BALL VALVE-B	9361938007
226	REIN FORCEMENT (SEPA WALL) SUB ASSY	9362949026	815-2	TERMINAL 3P	9358660027
236	CONTROLLER PCB ASSY	9704723017	815-1	TERMINAL 5P	9363275018
253	WIRE WITH CONNECTOR	9703878015	825	EXPANSION VALVE ASSY	9369869006
253	TERMISTOR ASSY	9900098018	825	EXPANSION,VALVE	9370365009
253-1	TERMISTOR(H.E.1)	9900099015	829-1	JOINT PIPE A ASSY	9370841015
253-2	TERMISTOR(H.E.2)	9900099022	829-2	JOINT PIPE B ASSY	9369862007
253-3	TERMISTOR SPRING	9372140017	829-4	JOINT PIPE C1	9375101015
267	INSULATION(PIPE)-C	9363828009	846	RELAY	9900295011
289	REINFORCEMENT(SIDE PANEL)SUB ASSY	9362955010	880-1	NETWORK(C-R)	9700987017
300	SUCTION PIPE C	9369895005	890	BRKTPNL(COMP)ASSY	9364208008
310	COMPRESSOR COVER	9366132004	914	OILSEPARATOR ASSY	9369947001
330	JOINT PIPE A ASSY(OIL SEPA)	9375085018	915-1	PRESSURE SENSOR	9900097011
330-1	JOINT PIPE B(OIL SEPA)	9369896002	919-2	COIL(EXPANSION VALVE-1)	9370435009
330-4	JOINT PIPE D(OIL SEPA)	9375094010	919-3	COIL(EXPANSION VALVE-2)	9370436006
330-5	JOINT PIPE E ASSY(OIL SEPA)	9375098018	942	CONTROL BOX COVER SUB ASSY	9362950084
330-6	JOINT PIPE C ASSY (OIL SEPA)	9375091019	982-1	CORD CLAMP	9356857009
330-7	JOINT PIPE (BYPS)J1	9375092054	982-2	CORD CLAMP B	9356858006
331	SUCTION PIPE A ASSY	9375087029		VARISTER	0000361224
331-1	SUCTION PIPE ASSY (2HP)	9375076016		ARRESTER	0600280154
331-2	SUCTION PIPE ASSY (4HP)	9375076023		FUSE	0600222574
331-3	SUCTION PIPE ASSY (6HP)	9375076030			

AO72APCMF
AOG72APCMF

Ref	Description	Parts No.	Ref	Description	Parts No.
2	FAN COVER	9366142010	331-1	SUCTION PIPE B ASSY	9370771022
4	EMBLEM (FUJITSU)	9359836018	333	ACCUMULATOR ASSY	9369948008
4	EMBLEM-REAR(GENERAL)	313791088308	343-3	SOLENOID SV1RED	9970007019
9	REAR PANEL SUB ASY	9362943017	343-4	SOLENOID SV2 WHITE	9970007026
12	BASE ASSY	9361684003	343-5	SOLENOID SV3 BLACK	9970007033
13	3-WAY VALVE ASSY	9368997007	343-2	SOLENOID SV4 YELLOW	9970007040
16-1	CONDENSER A ASSY	9370133059	343-1	SOLENOID SV5 BLUE	9970007057
16-2	CONDENSER B ASSY	9370133028	347	NOISEINSULATION-D	313712304109
26	COMPRESSOR COVER-A	9361935006	355	BRACKET(CONDENSER)-L SUB ASSY	9362958011
26-1	COMPRESSOR COVER	9370774023	356	BRACKET(CONDENSER)-R SUB ASSY	9362959018
32	CONTROL BOX	9361713000	376	BRACKET(CONTROLBOX)	9361727007
39	PROPELLER FAN	9361726000	450	DISCHARG PIPE A ASSY	9372364031
41	FAN MOTOR ASSY-OUTER	9601271017	453	RECEIVER TANK ASSY	9366371007
42	BRACKET PANEL(MOTOR)	9361703001	477	BELLMOUTH	9361721005
45-1	BRACKET(MOTOR) A ASSY	9362960014	527	CONDENSER GUARD	9366143017
45-2	BRACKET(MOTOR) B ASSY	9362963015	564	BYPASS A ASSY	9369878008
46-1	COMPRESSOR A ASSY	9370065008	564-1	BYPASS B ASSY	9369886003
46-2	COMPRESSOR B ASSY	9370772029	560	FLANGE ASSY E895	9363035001
46-3	COMPRESSOR C ASSY	9370773019	599	SIGNAL PCB ASSY	9704424013
64	CAPACITOR(FANMOTOR)	9703306037	620	INLET,PIPE (CONDENSER)A ASSY	9370789010
82	JOINT,PIPE(CHECKJOINT) A	9369889004	620-1	INLET,PIPE (CONDENSER)B ASSY	9369913006
82-1	JOINT.PIPE(CHECKJOINT) B	9369891007	646	COMPRESSOR COVER-B	9361936003
82-2	JOINT.PIPE(RECEIVER TANK)	9370832037	678	BRACKET(THERMISTOR)	313557406106
85	VALVE PLATE	9363063004	735-1	DISTORIBUTOR-A,ASSY	9370782011
86	GASKET	9363272000	735-2	DISTORIBUTOR-B,ASSY	9369917004
87	BRACKET(COMPRESSOR)	9361694002	761	SIDE PANEL-R SUB ASSY	9362941020
100	BASE FOOT PAINTED	9361688025	762	SIDE PANEL-L SUB ASSY	9362940016
109	TERMINAL COVER(COMP.B&C)	9364087009	791	MAGNETIC RELAY	9363277005
109-1	TERMINAL COVER(COMP. A)	9366265009	810	BALL VALVE-B	9361938007
121-3	BALL VALVE JOINT PIPE B ASSY	9371153018	815-2	TERMINAL 3P	9358660027
132	FRONT PROTECTION NET	9366144014	815-1	TERMINAL 5P	9363275018
133	FRONT PANEL-L	9361709027	846	RELAY	9900295011
134	FRONT PANEL-R SUB ASSY	9361716047	880-1	NETWORK(C-R)	9700987017
160	DRAIN PAN SUB ASSY	9362961011	890	BRKTPNL(COMP)ASSY	9364208008
164	SEPARATE WALL-UPPER	9362942027	914	OILSEPARATOR ASSY	9369947001
166	SEPARATE WALL-L	9361695009	915-1	PRESSURE SENSOR	9900097011
167	SEPARATE WALL-R SUB ASSY	9362948036	942	CONTROL BOX COVER SUB ASSY	9362950091
175	BRKT PNL(SVLV)	9364230009	982-1	CORD CLAMP	9356857009
176	BRACKET(VALVE)-A	9368955007	982-2	CORD CLAMP B	9356858006
226	REIN FORCEMENT (SEPA WALL) SUB ASSY	9362949026	-	VARISTER	0000361224
236	CONTROLLER PCB ASSY	9704723017	-	ARRESTER	0600280154
253	WIRE WITH CONNECTOR	9703878015	-	FUSE	0600222574
253	TERMISTOR ASSY	9900098018			
253-3	TERMISTOR SPRING	9372140017			
267	INSULATION(PIPE)-C	9363828009			
289	REINFORCEMENT(SIDE PANEL)SUB ASSY	9362955010			
310	COMPRESSOR COVER	9366132004			
330	JOINT PIPE A ASSY(OIL SEPA)	9370853025			
330-2	JOINT PIPE F(OIL SEPA)	9371086002			
330-3	JOINT PIPE C(OIL SEPA)	9369897009			
331-2	SUCTION PIPE A ASSY	9369925009			