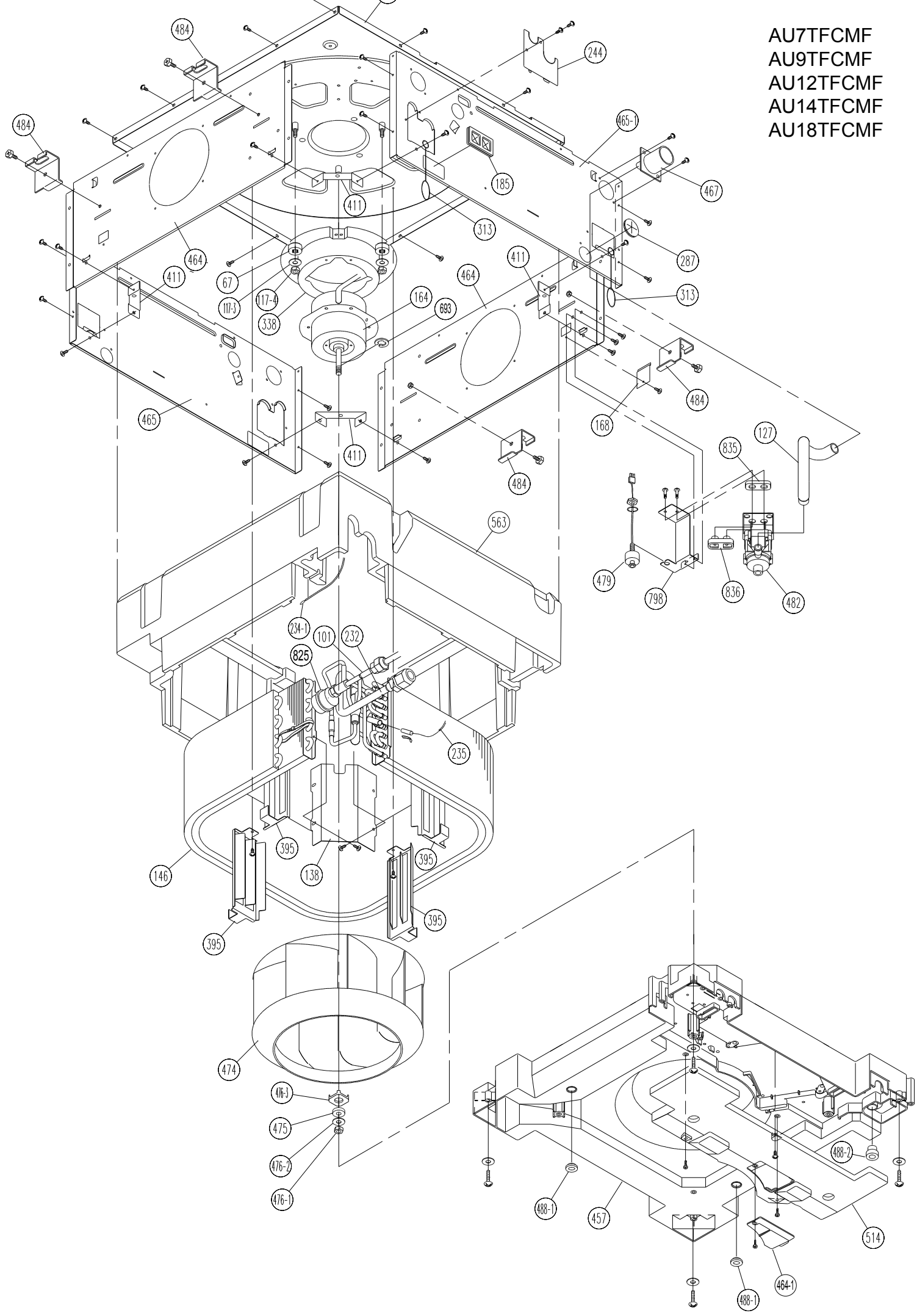
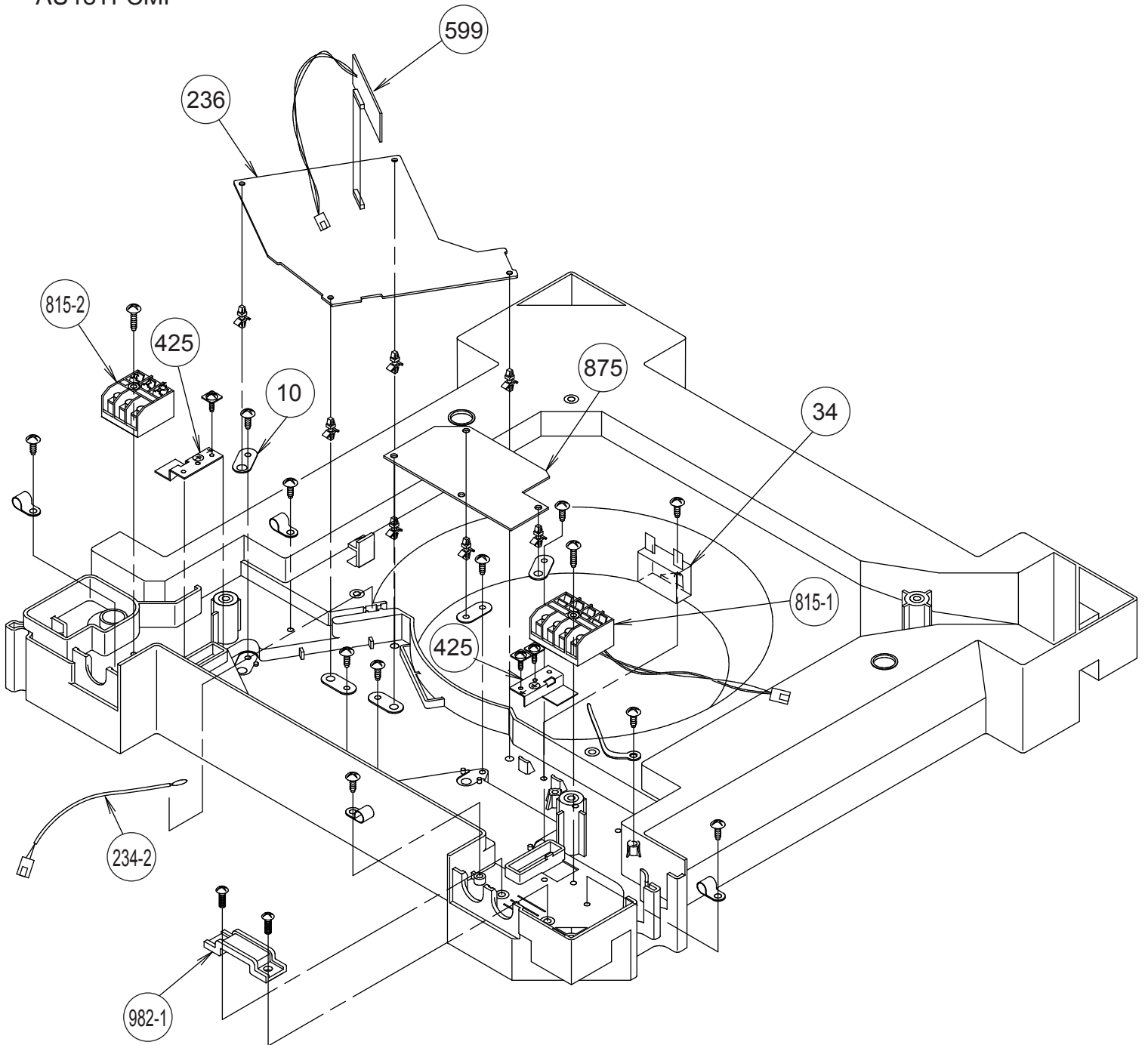


AU7TFCMF  
AU9TFCMF  
AU12TFCMF  
AU14TFCMF  
AU18TFCMF



AU7TFCMF  
AU9TFCMF  
AU12TFCMF  
AU14TFCMF  
AU18TFCMF



AU7TFCMF  
AU9TFCMF

Ref	Description	Parts No.	Ref	Description	Parts No.
10	REM(PWB)	9370451009	475	TURBO FAN RUBBER	9366013006
34	CAPACITOR	9704305084	476-1	NUT	0700005534
67	RUBBER	9361279001	476-2	WASHER	0700132223
101	INLET PIPE(EVA)ASSY	9370116045	476-3	SPECIAL WASHER	9359954002
117-3	SPECIAL WASHER M6 HEX	3133063914007	479	FLOAT SWITCH	313005416154
117-4	NUT S/W	301721160116	482	PUMP UNIT	9359974000
127	DRAIN HOSE	9370452006	484	HANGER METAL	9359644002
138	SEPA,WALL,AJ567	9370071009	488	DRAIN PAN PLUG	313005174654
146	EVAPORATOR ASSY	9370115048	488	DRAIN PAN PLUG	9359653004
164	FAN MOTOR ASSY-IN	9601040040	514	CONTROL BOX COVER	9370084009
168	CABINET-E	9362735001	563	INSULATION (INSIDE BOX)	9370672006
184-1	THERMO.SPRING-A	313728262708	599	SIGNAL PCB ASSY	9704424020
199-1	BR SHEET	313612108209	629	EMI FILTER	0400056133
200-1	BR SHEET-B	9351990022	629	EMI FILTER	0400056188
232	EXIT PIPE(EVA)ASSY	9370117042	629-1	EMI FILTER	0400197119
234-1	THERMISTOR ASSY-ROOM	9703299100	652-1	THERMO HOLD PIPE	313806262805
234-2	THERMISTOR ASSY-ROOM	9703299186	693	WASHER (E)	9359989011
235	THERMISTOR ASSY(PIPE)	9703297090	798	DRN PUMP HOLDER J567	9370079005
236	CONTROLLER PCB ASSY	9705027077	815-1	TERMINAL	9306488062
244	PIPECOVER	9359646006	815-2	TERMINAL3P	9703345012
253	WIRE WITH CONNECTOR	9704004024	824-3	FUSE	0600222512
253-	WIRE ASSY(COMMUNICAT	9703757020	825	EXPANSION VALVE	9970014024
253-	WIRE ASSY(CONNECTOR)	9703301025	835	CUSHION-A,FORPUMP	9352211003
253-	WIRE ASSY(CONNECTOR)	9703875014	836	CUSHION-B,FORPUMP	9356084016
267-1	INS(PIPE)A	9360295019	846	RELAY	9900007010
267-2	INSULATION(PIPE)-C	9350716029	868	RFM(PWB)J567	9370451009
267-3	INSULATION(PIPE)-D	9352766015	875	FILTER PCB ASSY	9704799074
287	CAP (POWER)	9352173011	918-1	U PIPE B AS	9303430019
313	HOOKINGWIRE	9357224008	928	U PIPE A AS	9303428016
320-1	WIRE CLAMP METAL	313483219905	964	FLARENUT-A	9357352022
338	MOTOR FIXTURE	9359656005	965	FLARENUT-B	9351062019
381	LOCKING SPACER	313209391506	982-1	CORD CLAMP (A)	9359820017
388	JOINT(3-WAY)	9354901001	996	STRAINER-G	9365455005
395	EVA HOLDER J567	9370077001		*PCBASSY-F(C+P)	9704793102
411	SUPPORTER-A	9359655008		CAPACITOR	9704305084
425	EARTH PLATE	9357957005		CAPACITOR,ELEC	0301192558
457	DRAIN PAN ASSY	9370122015		CAPACITOR,ELEC	0301190981
462	TOP COVER PLATE	9359642015		CERAMIC RESONATOR	9701261031
464	CABINET A ASSY	9359643005		FUSE HOLDER	0500158072
464-1	COVER	9370085006		INSTALLATION MANUAL	9370083002
465	CABINET B	9359645009		NETWORK,(CRABSORBER	0301241072
467	DRAIN PORT	313005415658		OPERATION MANUAL	9369313011
469	SPECIAL NUT-B(SMALL)	313005446759		PHOTO COUPLER	0000117074
469-1	SPECIAL NUT-A(LARGE)	313005446653		RELAY	9701316014
474	TURBO FAN	9370074000		SOCKET,PWB	0500296033
				TRANS,SW	9704658012
				VARISTOR(ARRESTER)	0600168032

AU12TFCMF  
AU14TFCMF

Ref	Description	Parts No.	Ref	Description	Parts No.
10	REM(PWB)	9370451009	476-1	NUT	0700005534
34	CAPACITOR	9704305084	476-2	WASHER	0700132223
67	RUBBER	9361279001	476-3	SPECIAL WASHER	9359954002
101	EXIT PIPE ASSY(EVA)	9370117066	479	FLOAT SWITCH	313005416154
101	INLETPPIPE(EVA)ASSY	9370116069	482	PUMP UNIT	9359974000
117-3	SPECIAL WASHER M6	3133063914007	484	HANGER METAL	9359644002
117-4	HEX NUT S/W	301721160116	488	DRAIN PAN PLUG	313005174654
127	DRAIN HOSE	9370452006	488	DRAIN PAN PLUG	9359653004
138	SEPA,WALL,AJ567	9370071009	514	CONTROL BOX COVER	9370084009
146	EVAPORATOR ASSY	9371116006	563	INSULATION (INSIDE BOX)	9370072006
146	EVAPORATOR SUB ASSY	9370115062	599	SIGNAL PCB ASSY	9704424020
164	FANMOTOR ASSY-IN	9601040019	629	EMIFILTER	0400056133
168	CABINET-E	9362735001	629	EMIFILTER	0400056188
184-1	THERMO.SPRING-A	313728262708	629-1	EMIFILTER	0400197119
199-1	BR SHEET	313612108209	652-1	THERMO HOLD PIPE	313806262805
200-1	BR SHEET-B	9351990022	693	WASHER (E)	9359989011
234-1	THERMISTOR ASSY-ROOM	9703299100	726	PRCS PIPE	9359979005
234-2	THERMISTOR ASSY-ROOM	9703299186	798	DRN PUMP HOLDER J567	9370079005
235	THERMISTOR ASSY(PIPE	9703297090	815-1	TERMINAL	9306488062
236	CONTROLLER PCB ASSY	9705027077	815-2	TERMINAL3P	9703345012
244	PIPE COVER	9359646006	824-3	FUSE	0600222512
253	WIRE WITH CONNECTOR	9704004024	825	EXPANSION VALVE	9970014024
253-	WIRE ASSY(COMMUNICAT	9703757020	835	CUSHION-A,FORPUMP	9352211003
253-	WIRE ASSY (CONNECTOR)	9703301025	836	CUSHION-B,FORPUMP	9356084016
253-	WIRE ASSY (CONNECTOR)	9703875014	846	RELAY	9900007010
267-1	INS(PIPE)A	9360295019	875	FILTER PCB ASSY	9704799074
267-2	INSULATION(PIPE)-C	9350716029	918-1	U PIPE B ASY	9303430019
267-3	INSULATION(PIPE)-D	9352766015	928	U PIPE A ASY	9303428016
287	CAP (POWER)	9352173011	964	FLARE NUT-A	313996239804
313	HOOKING WIRE	9357224008	965	FLARE NUT-B	9351062019
320-1	WIRE CLAMP METAL	313483219905	982-1	CORD CLAMP (A)	9359820017
338	MOTOR FIXTURE	9359656005	996	STRAINER-G	9365455005
381	LOCKING SPACER	313209391506		*PCBASSY-F(C+P)	9704793102
388	JOINT(3-WAY)	9354901001		CAPACITOR	9704305084
395	EVA HOLDER J567	9370077001		CAPACITOR,ELEC	0301192558
411	SUPPORTER-A	9359655008		CAPACITOR,ELEC	0301190981
425	EARTH PLATE	9357957005		CERAMIC RESONATOR	9701261031
457	DRAIN PAN ASSY	9370122015		FUSE HOLDER	0500158072
462	TOP COVER PLATE	9359642015		INSTALLATION MANUAL	9370083002
464	CABINET A ASSY	9359643005		NETWORK,(CRABSORBER	0301241072
464-1	COVER	9370085006		OPERATION MANUAL	9369313011
465	CABINET B	9359645009		PHOTO COUPLER	0000117074
467	DRAIN PORT	313005415658		RELAY	9701316014
469	SPECIAL NUT-B(SMALL)	313005446759		SOCKET,PWB	0500296033
469-1	SPECIAL NUT-A(LARGE)	313005446653		TRANS,SW	9704658012
474	TURBO FAN	9370074000		VARISTOR(ARRESTER)	0600168032
475	TURBO FAN RUBBER	9366013006			

AU18TFCMF

Ref	Description	Parts No.	Ref	Description	Parts No.
10	REM(PWB)	9370451009	479	FLOAT SWITCH	313005416154
34	CAPACITOR	9704305084	482	PUMP UNIT	9359974000
67	RUBBER	9361279001	484	HANGER METAL	9359644002
101	INLET PIPE(EVA)ASSY	9370116052	488	DRAIN PAN PLUG	313005174654
117-3	SPECIAL WASHER M6	3133063914007	488	DRAIN PAN PLUG	9359653004
117-4	HEX NUT S/W	301721160116	514	CONTROL BOX COVER	9370084009
127	DRAIN HOSE	9370452006	563	INSULATION (INSIDE BOX)	9370072006
138	SEPA,WALL,AJ567	9370071009	599	SIGNAL PCB ASSY	9704424020
146	DISTRIBUTOR	9304394006	629	EMIFILTER	0400056133
146	EVAPORATOR ASSY	9371116006	629	EMIFILTER	0400056188
			629-1	EMIFILTER	0400197119
164	FAN MOTOR ASSY-IN	9601040026	652-1	THERMO HOLD PIPE	313806262805
168	CABINET-E	9362735001	693	WASHER (E)	9359989011
184-1	THERMO.SPRING-A	313728262708	726	PRCS PIPE	9359979005
199-1	BR SHEET	313612108209	798	DRN PUMP HOLDER J567	9370079005
200-1	BR SHEET-B	9351990022	815-1	TERMINAL	9306488062
234-1	THERMISTOR ASSY-ROOM	9703299100	815-2	TERMINAL3P	9703345012
234-2	THERMISTOR ASSY-ROOM	9703299186	824-3	FUSE	0600222512
235	THERMISTOR ASSY(PIPE	9703297090	825	EXPANSION VALVE	9366302018
236	CONTROLLER PCB ASSY	9705027077	835	CUSHION-A, FOR PUMP	9352211003
244	PIPE COVER	9359646006	836	CUSHION-B, FOR PUMP	9356084016
253	WIRE WITH CONNECTOR	9704004024	846	RELAY	9900007010
253-	WIRE ASSY (COMMUNICAT	9703757020			
253-	WIRE ASSY(CONNECTOR)	9703301025	875	FILTER PCB ASSY	9704799074
253-	WIRE ASSY(CONNECTOR)	9703875014	918-1	U PIPE B AS	9303430019
267-1	INS(PIPE)A	9360295019	928	U PIPE A AS	9303428016
267-2	INSULATION(PIPE)-C	9350716029	965	FLARENUT-B STRAINER-G	9351062019
267-3	INSULATION(PIPE)-D	9352766015	996	STRAINER-G	9365455005
287	CAP (POWER)	9352173011	982-1	CORD CLAMP (A)	9359820017
313	HOOKING WIRE	9357224008	996	STRAINER-H	9365452004
320-1	WIRE CLAMP METAL	313483219905		*PCBASSY-F(C+P)	9704793102
338	MOTOR FIXTURE	9359656005		CAPACITOR	9704305084
369	NOZZLE	9304395003		CAPACITOR,ELEC	0301192558
381	LOCKING SPACER	313209391506		CAPACITOR,ELEC	0301190981
395	EVA HOLDER J567	9370077001		CERAMIC RESONATOR	9701261031
411	SUPPORTER-A	9359655008		FUSE HOLDER	0500158072
425	EARTH PLATE	9357957005		INSTALLATION MANUAL	9370083002
457	DRAIN PAN ASSY	9370122015		NETWORK,(CRABSORBER	0301241072
462	TOP COVER PLATE	9359642015		OPERATION MANUAL	9369313011
464	CABINET A ASSY	9359643005		PHOTO COUPLER	0000117074
464	COVER	9370085006		RELAY	9701316014
465	CABINET B	9359645009		SOCKET,PWB	0500296033
467	DRAINPORT	313005415658		TRANS,SW	9704658012
469	SPECIALNUT-B(SMALL)	313005446759		VARISTOR(ARRESTER)	0600168032
469-1	SPECIALNUT-A(LARGE)	313005446653		WIRE WITH CONNECTOR	9703876059
474	TURBO FAN	9370074000			
475	TURBO FAN RUBBER	9366013006			
476-1	NUT	0700005534			
476-2	WASHER	0700132223			
476-3	SPECIAL WASHER	9359954002			