

# **OUTDOOR UNIT (4 ROOMS TYPE)**

---

**MULTI TYPE:  
AOYG30LAT4**

# 1. Specifications

Type			Inverter heat pump	
Model name			AOYG30LAT4	
Power supply			230 V - 50 Hz	
Available voltage range			198—264 V	
Standard combination of indoor unit			Wall mounted ASYG07LMCA × 4	
Capacity	Cooling	Rated	kW	8.0
			Btu/h	27,300
		Min.—Max.	kW	3.5 - 10.1
			Btu/h	11,940 - 34,500
	Heating	Rated	kW	9.6
			Btu/h	32,800
Min.—Max.		kW	3.7 - 12.0	
		Btu/h	12,620 - 41,000	
Input power	Cooling	Rated	kW	2.22
		Max.		3.56
	Heating	Rated		2.40
		Max.		3.58
Current	Cooling	Rated	A	9.7
	Heating			10.5
EER	Cooling	Rated	kW/kW	3.60
COP	Heating			4.00
Starting current			A	10.5
Maximum operating current *1			A	15.5
Fan	Airflow rate	Cooling	m³/h	3,500
		Heating		3,300
	Type × Q'ty			Propeller × 1
	Motor output		W	103
Sound pressure level*2	Cooling	dB (A)	50	
	Heating		51	
Heat exchanger type	Dimensions (H × W × D)		mm	798 × 900 × 36.38
	Fin pitch			1.3
	Rows × Stages		2 × 38	
	Pipe type		Copper	
	Fin type	Type (Material)	Corrugate (Aluminum)	
		Surface treatment	Corrosion resistance (Blue fin)	
Compressor	Type × Q'ty		DC twin rotary × 1	
	Motor output		W	1,300
Refrigerant	Type (Global warming potential)		R410A (2088)	
	Charge		g	3,300
Refrigerant oil	Type		POE	
	Material		Steel sheet	
Enclosure	Color		Beige (Approximate color of MUNSELL 10YR 7.5/1.0 NN)	
	Dimensions (H × W × D)	Net		830 × 900 × 330
Gross		mm	1,000 × 1,050 × 445	
Weight	Net		kg	68
	Gross		kg	76
Connection pipe	Size	Liquid	mm	Ø 6.35 (Ø 1/4) × 4
		Gas		Ø9.52 (Ø3/8) × 2, [Ø12.70 (Ø1/2) × 2] *3
	Method		Flare	
	Pre-charge length (Total)		50	
	Maximum length (Total)		70	
	Maximum length (Each)		25	
	Minimum length (Total)		20	
	Minimum length (Each)		5	
	Maximum height difference between outdoor unit and each indoor units.		15	
Maximum height difference between indoor units.		10		
Operation range	Cooling	°C	0 to 46	
	Heating		-10 to 24	
Drain hose	Material		LDPE	
	Size		mm	Ø 13.0 (I.D.), Ø 16.0 to Ø 16.7 (O.D.)

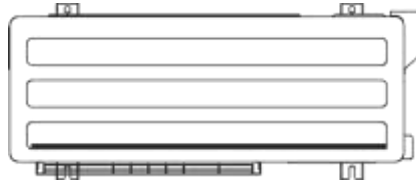
## NOTES:

- Specifications are based on the following conditions:
  - Power source of specifications: 230 V
  - Pipe length: 5 m, Height difference: 0 m [Outdoor unit—Indoor unit]
  - Cooling: Indoor temperature of 27 °CDB/19 °CWB, and outdoor temperature of 35 °CDB/24 °CWB.
  - Heating: Indoor temperature of 20 °CDB/15 °CWB, and outdoor temperature of 7 °CDB/6 °CWB.
- \*1: The maximum current is the maximum value when the operated within the operation range.
- \*2: Sound pressure level
  - Measured values in manufacturer's anechoic chamber.
  - Because of the surrounding sound environment, the sound levels measured in actual installation conditions might be higher than the specified values here.
- \*3: Connect to connection valve by the adapter.
- For other combination, refer to the combination table.
- The protective function might work when using it outside the operation range.

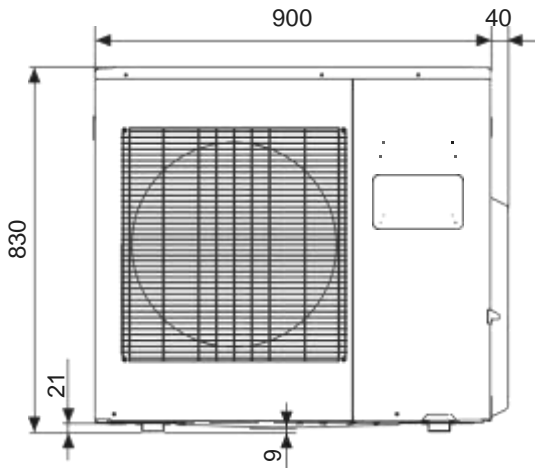
Product fiche				
Model name			AOYG30LAT4	
Energy efficiency class	Cooling		A++	
	Heating (average)		A+	
Pdesign	Cooling	kW	8.0 (35 °C)	
	Heating (average)		6.2 (-10 °C)	
SEER	Cooling	kWh/kWh	6.20	
SCOP	Heating (average)		4.00	
Annual energy consumption	QCE		451	
	QHE (average)		2,169	
Sound power level	Cooling	High	dB (A)	68
	Heating			70

## 2. Dimensions

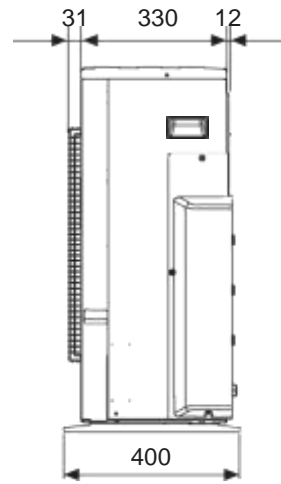
### 2-1. Model: AOYG30LAT4



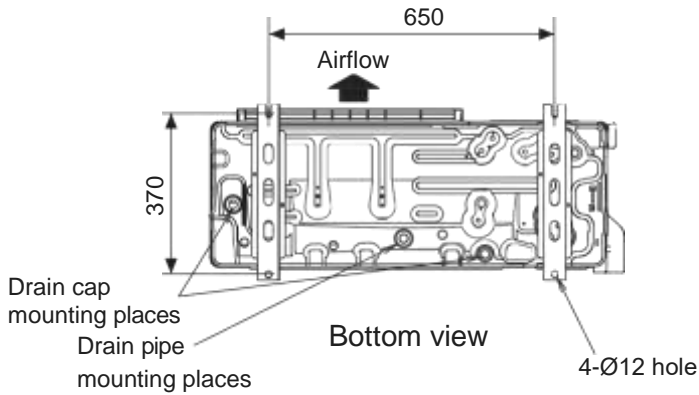
Top view



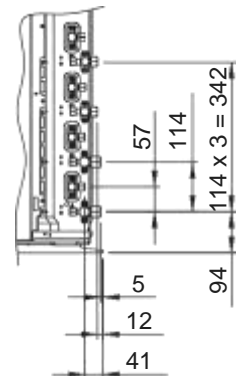
Front view



Side view



Bottom view



## 3. Installation space

### 3-1. Models: AOYG30LAT4

#### ∅ Space requirement

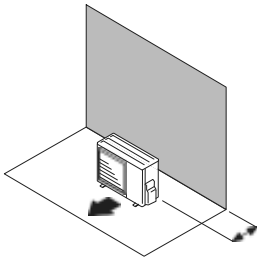
Provide sufficient installation space for product safety.

#### □ Single outdoor unit installation

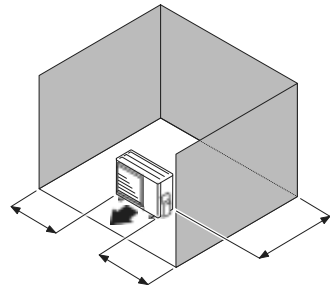
- When the upper space is open:

Unit: mm

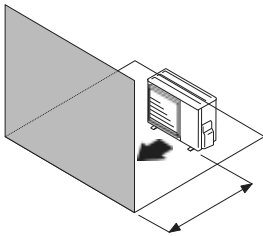
When there are obstacles at the rear only.



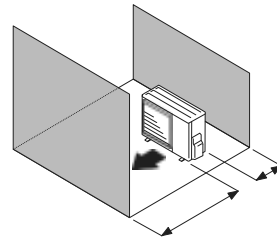
When there are obstacles at the rear and sides.



When there are obstacles at the front only.



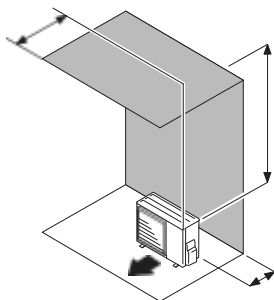
When there are obstacles at the front and rear.



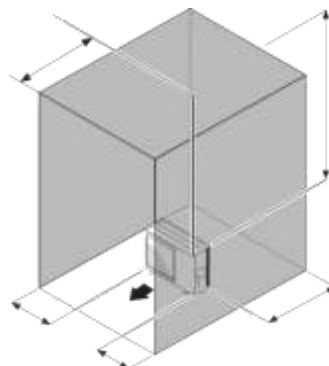
- When there is an obstruction in the upper space:

Unit: mm

When there are obstacles at the rear and above.



When there are obstacles at the rear, sides, and above.

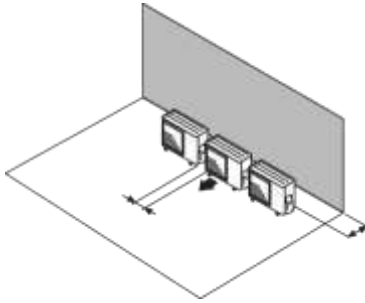


## □ Multiple outdoor unit installation

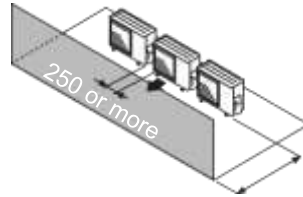
- When the upper space is open:

Unit: mm

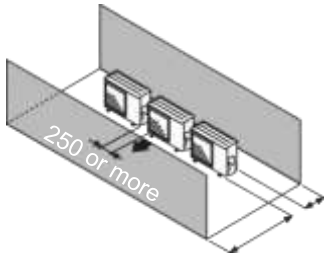
When there are obstacles at the rear only.



When there are obstacles at the front only.



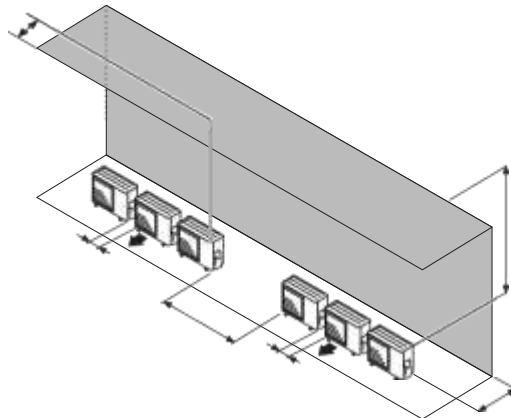
When there are obstacles at the front and rear.



- When there is an obstruction in the upper space:

Unit: mm

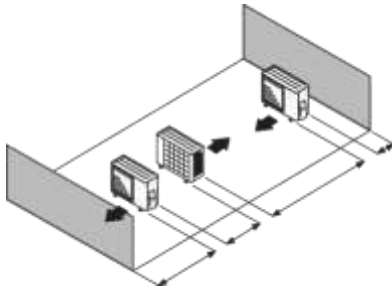
When there are obstacles at the rear and above.



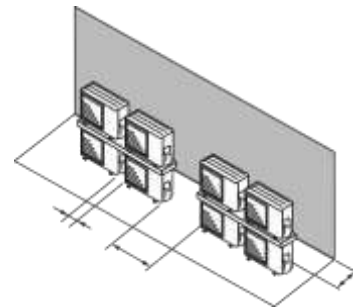
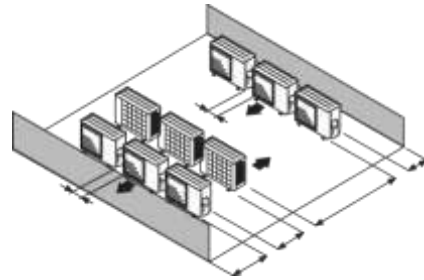
## □ Outdoor unit installation in multi-row

Unit: mm

Single parallel unit arrangement



Multiple parallel unit arrangement

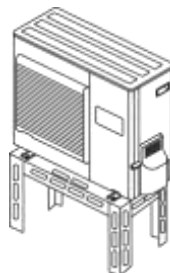


### NOTES:

- If the space is larger than stated above, the condition will be the same as when there is no obstacle.
- Height above the floor level should be 50 mm or more.
- When installing the outdoor unit, be sure to open the front and left side to obtain better operation efficiency.

### ⚠ CAUTION

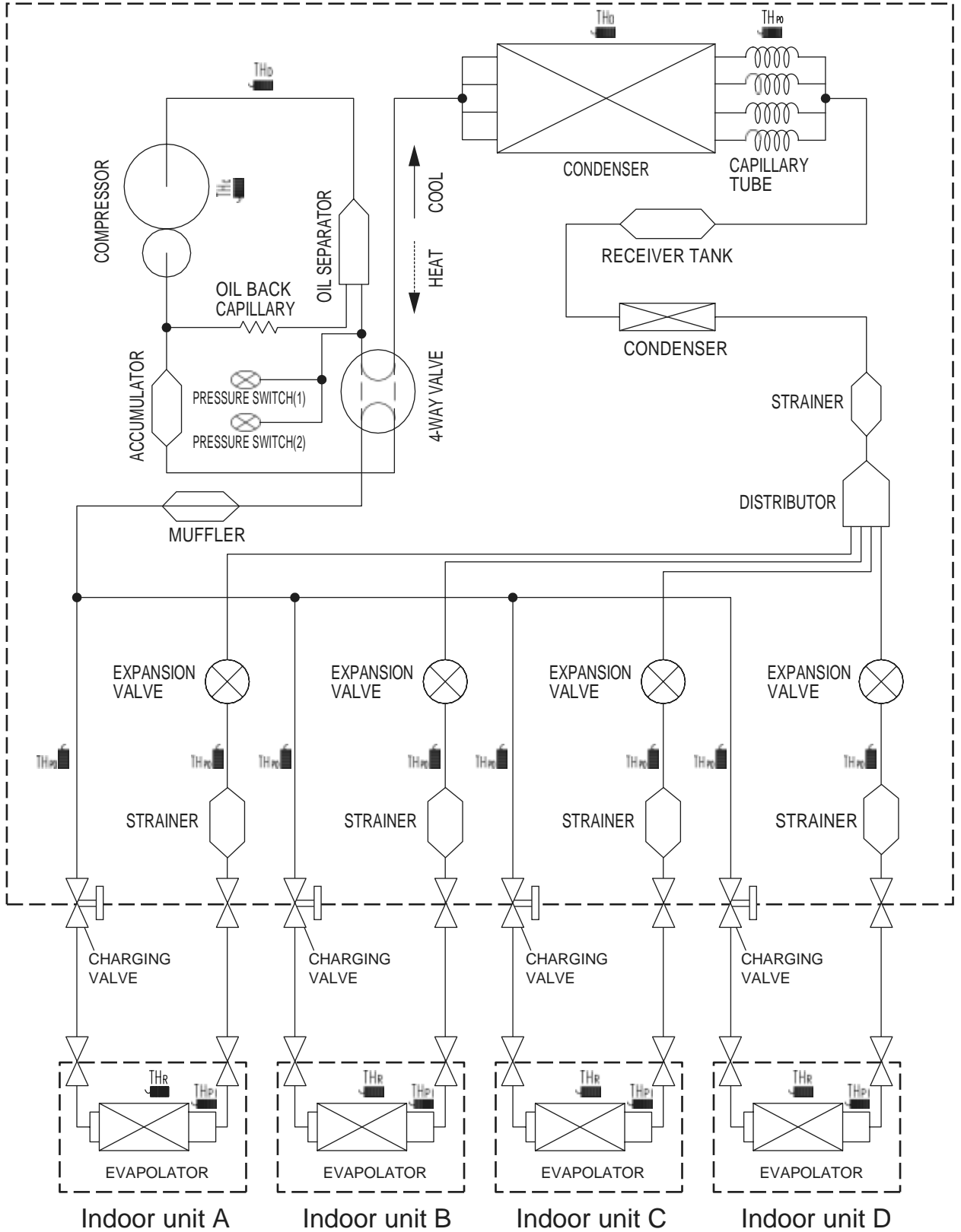
- Do not install the outdoor unit in two-stage where the drain water could freeze. Otherwise the drainage from the upper unit may form ice and cause a malfunction of the lower unit.
- When the outdoor temperature is 0 °C or less, do not use the accessory drain pipe and drain cap. If the drain pipe and drain cap are used, the drain water in the pipe may freeze in extremely cold climate. (For reverse cycle model only.)
- In area with heavy snowfall, if the inlet and outlet of the outdoor unit is blocked with snow, it might become difficult to get warm, and it is likely to cause product malfunction. Construct a canopy and a pedestal, or place the unit on a high stand that is locally installed.



# 4. Refrigerant circuit

## 4-1. Model: AOYG30LAT4

Outdoor unit



$TH_R$  : THERMISTOR (ROOM TEMP.)

$TH_{PE}$  : THERMISTOR (PIPE TEMP.)

$TH_o$  : THERMISTOR (OUTDOOR TEMP.)

$TH_D$  : THERMISTOR (DISCHARGE TEMP.)

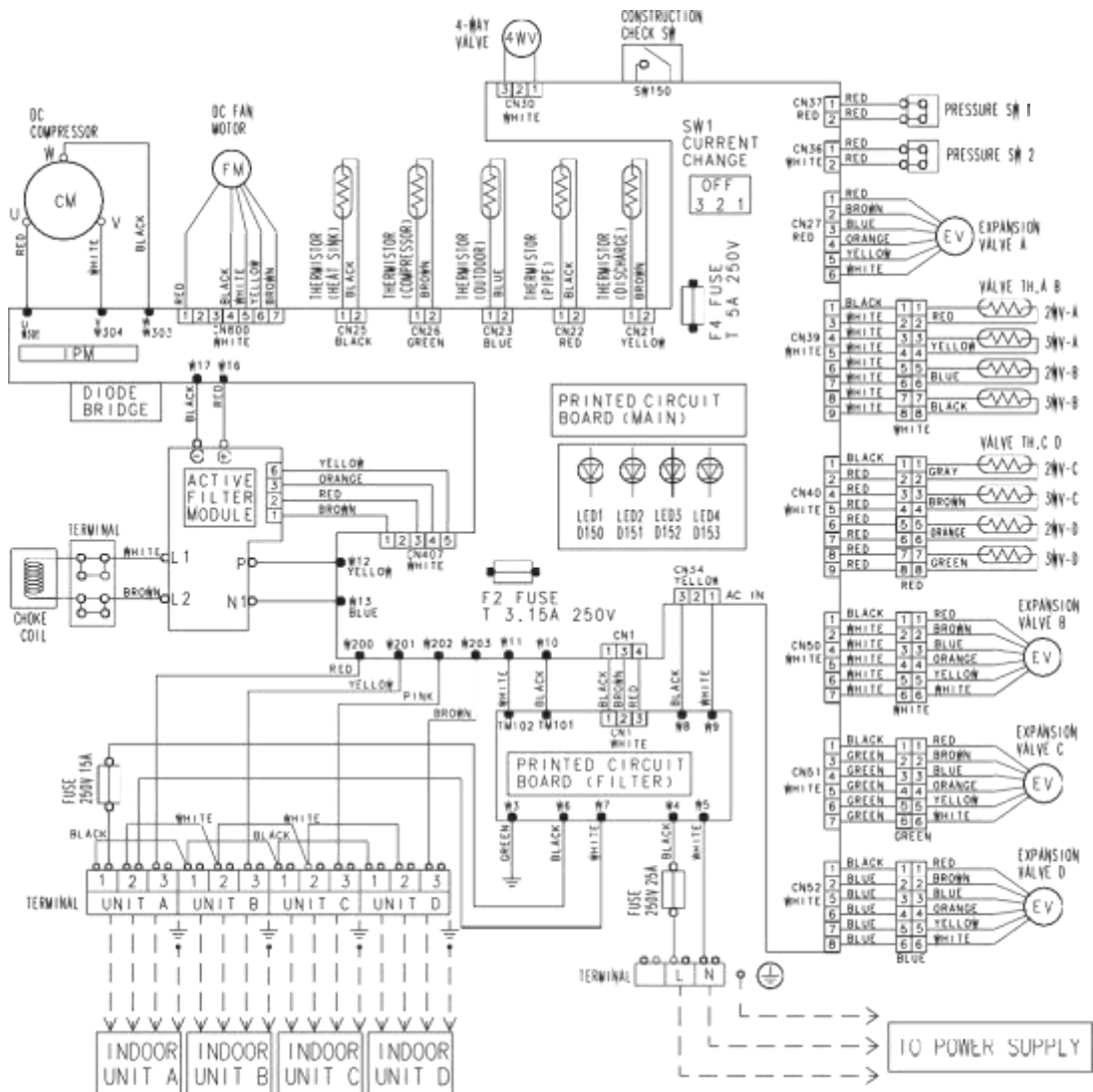
$TH_{PO}$  : THERMISTOR (PIPE TEMP.)

$TH_C$  : THERMISTOR (COMPRESSOR TEMP.)



# 5. Wiring diagram

## 5-1. Model: AOYG30LAT4





Combination of indoor unit					Rated capacity for each indoor unit (kBtu/h)				Total capacity (kBtu/h)			Input power (kW)			EER (W/W)	Seasonal Data		
Room				Total	Room				Min.	Rated	Max.	Min.	Rated	Max.		Pdesign (kW)	SEER (kW/kWh)	Energy Efficiency Class
1	2	3	4		1	2	3	4										
12	12	12	12	48	2.00	2.00	2.00	2.00	3.5	8.00	10.0	1.17	2.22	3.56	3.60	8.0	6.0	A+

## NOTES:

- 7: 7,000 Btu/h, 9: 9,000 Btu/h, 12: 12,000 Btu/h, 14: 14,000 Btu/h, 18: 18,000 Btu/h, 24:24,000 Btu/h
- The above is the value for connecting with wall mounted type.
- 3 or more indoor units should be connected.
- Cooling: Indoor temperature of 27 °CDB/19 °CWB and outdoor temperature of 35°CDB.
- Pipe length: 5 m, Height difference: 0 m (Outdoor unit—Indoor unit)
- The total ability of connected a indoor units is from 27,000 Btu up to 49,000 Btu.
- \*1: “ARYG09L + ARYG09L + ARYG09L + ASYG18L” cannot be connected in this combination.
- \*2: “ARYG09L + ARYG09L + ARYG12L + ASYG18L” cannot be connected in this combination.



## NOTES:

- 7: 7,000 Btu/h, 9: 9,000 Btu/h, 12: 12,000 Btu/h, 14: 14,000 Btu/h, 18: 18,000 Btu/h, 24:24,000 Btu/h
- The above is the value for connecting with wall mounted type.
- 3 or more indoor units should be connected.
- Heating: Indoor temperature of 20 °CDB and outdoor temperature of 7°CDB/6 °CWB.
- Pipe length: 5 m, Height difference: 0 m (Outdoor unit—Indoor unit)
- The total ability of connected a indoor units is from 27,000 Btu up to 49,000 Btu.
- \*1: “ARYG09L + ARYG09L + ARYG09L + ASYG18L” cannot be connected in this combination.
- \*2: “ARYG09L + ARYG09L + ARYG12L + ASYG18L” cannot be connected in this combination.









Indoor units: 7,000 Btu + 24,000 Btu

		Indoor temperature																																																
°CDB		18						21						23						25						27						29						30						32						
°CWB		12						15						16						18						19						21						22						23						
Outdoor temperature	°CDB	TC	SHC	IP	TC	SHC	IP	TC	SHC	IP	TC	SHC	IP	TC	SHC	IP	TC	SHC	IP	TC	SHC	IP	TC	SHC	IP	TC	SHC	IP	TC	SHC	IP	TC	SHC	IP	TC	SHC	IP													
	kW			kW			kW			kW			kW			kW			kW			kW			kW			kW			kW			kW			kW			kW			kW							
	0	6.99	5.37	1.79	7.78	5.41	1.82	8.05	5.88	1.82	8.58	5.90	1.84	8.84	6.37	1.85	9.37	6.35	1.87	9.64	6.33	1.88	9.91	6.76	1.89	5	6.54	5.18	1.95	7.28	5.22	1.98	7.53	5.67	1.99	8.03	5.69	2.01	8.28	6.14	2.02	8.77	6.12	2.05	9.02	6.11	2.06	9.27	6.52	2.07
	10	6.66	5.23	1.62	7.42	5.27	1.64	7.67	5.72	1.65	8.18	5.75	1.67	8.43	6.20	1.68	8.93	6.18	1.69	9.19	6.17	1.70	9.44	6.58	1.71	15	7.28	5.50	1.86	8.11	5.53	1.89	8.38	6.01	1.89	8.94	6.04	1.91	9.21	6.51	1.92	9.77	6.49	1.94	10.04	6.48	1.95	10.32	6.91	1.96
	20	7.92	5.77	2.10	8.82	5.81	2.13	9.13	6.31	2.14	9.73	6.33	2.16	10.03	6.84	2.18	10.63	6.81	2.20	10.93	6.80	2.21	11.23	7.26	2.22	25	7.52	5.60	2.48	8.37	5.63	2.52	8.66	6.12	2.54	9.23	6.15	2.56	9.52	6.63	2.57	10.09	6.61	2.60	10.37	6.60	2.61	10.66	7.04	2.63
30	6.98	5.37	2.69	7.77	5.40	2.73	8.04	5.87	2.75	8.57	5.89	2.78	8.83	6.36	2.79	9.36	6.34	2.82	9.63	6.33	2.83	9.89	6.75	2.85	35	7.35	5.53	3.45	8.18	5.56	3.51	8.46	6.04	3.53	9.02	6.07	3.58	9.30	6.55	3.58	9.86	6.53	3.58	10.14	6.51	3.58	10.42	6.95	3.58	
40	5.97	4.86	3.16	6.65	4.89	3.20	6.87	5.32	3.22	7.32	5.34	3.25	7.55	5.76	3.27	8.00	5.74	3.30	8.23	5.73	3.32	8.46	6.11	3.34	46	4.06	3.98	2.26	4.53	4.01	2.29	4.68	4.36	2.30	4.99	4.37	2.33	5.14	4.72	2.34	5.45	4.71	2.36	5.61	4.70	2.38	5.76	5.01	2.39	

Indoor units: 9,000 Btu + 9,000 Btu

		Indoor temperature																																																
°CDB		18						21						23						25						27						29						30						32						
°CWB		12						15						16						18						19						21						22						23						
Outdoor temperature	°CDB	TC	SHC	IP	TC	SHC	IP	TC	SHC	IP	TC	SHC	IP	TC	SHC	IP	TC	SHC	IP	TC	SHC	IP	TC	SHC	IP	TC	SHC	IP	TC	SHC	IP	TC	SHC	IP	TC	SHC	IP													
	kW			kW			kW			kW			kW			kW			kW			kW			kW			kW			kW			kW			kW			kW			kW							
	0	4.06	3.23	0.76	4.53	3.25	0.77	4.68	3.53	0.77	4.99	3.55	0.78	5.14	3.83	0.78	5.45	3.82	0.79	5.61	3.81	0.80	5.76	4.06	0.80	5	3.81	3.12	0.87	4.24	3.14	0.88	4.39	3.41	0.89	4.68	3.42	0.90	4.82	3.69	0.90	5.11	3.68	0.91	5.26	3.67	0.92	5.40	3.92	0.92
	10	3.76	3.09	1.03	4.19	3.11	1.04	4.33	3.38	1.05	4.62	3.40	1.06	4.76	3.67	1.07	5.05	3.65	1.08	5.19	3.65	1.08	5.33	3.89	1.09	15	4.18	3.28	1.06	4.65	3.31	1.07	4.81	3.59	1.08	5.13	3.61	1.09	5.29	3.89	1.10	5.61	3.88	1.11	5.77	3.87	1.11	5.92	4.13	1.12
	20	4.64	3.49	1.33	5.17	3.52	1.35	5.34	3.82	1.36	5.70	3.84	1.37	5.87	4.14	1.38	6.23	4.13	1.39	6.40	4.12	1.40	6.58	4.39	1.40	25	4.48	3.42	1.30	4.99	3.44	1.32	5.16	3.74	1.33	5.50	3.76	1.34	5.67	4.05	1.35	6.01	4.04	1.36	6.18	4.03	1.37	6.35	4.30	1.37
30	4.36	3.44	1.42	4.86	3.46	1.45	5.02	3.76	1.45	5.35	3.78	1.47	5.52	4.08	1.48	5.85	4.06	1.49	6.02	4.05	1.50	6.18	4.33	1.51	35	5.06	3.76	2.15	5.63	3.78	2.19	5.82	4.11	2.20	6.21	4.12	2.22	6.40	4.45	2.23	6.78	4.44	2.25	6.98	4.43	2.26	7.17	4.72	2.27	
40	4.78	3.61	2.41	5.33	3.63	2.45	5.51	3.94	2.46	5.87	3.96	2.49	6.05	4.27	2.50	6.41	4.26	2.52	6.60	4.25	2.54	6.78	4.54	2.55	46	3.65	3.09	2.26	4.07	3.11	2.29	4.21	3.38	2.30	4.48	3.39	2.33	4.62	3.66	2.34	4.90	3.65	2.36	5.04	3.64	2.38	5.18	3.88	2.39	

Indoor units: 9,000 Btu + 12,000 Btu

		Indoor temperature																																																
°CDB		18						21						23						25						27						29						30						32						
°CWB		12						15						16						18						19						21						22						23						
Outdoor temperature	°CDB	TC	SHC	IP	TC	SHC	IP	TC	SHC	IP	TC	SHC	IP	TC	SHC	IP	TC	SHC	IP	TC	SHC	IP	TC	SHC	IP	TC	SHC	IP	TC	SHC	IP	TC	SHC	IP	TC	SHC	IP													
	kW			kW			kW			kW			kW			kW			kW			kW			kW			kW			kW			kW			kW			kW			kW							
	0	4.65	3.72	0.88	5.17	3.75	0.90	5.35	4.07	0.90	5.70	4.09	0.91	5.88	4.41	0.92	6.23	4.40	0.93	6.41	4.39	0.93	6.59	4.68	0.93	5	4.34	3.59	1.00	4.83	3.61	1.02	5.00	3.92	1.02	5.33	3.94	1.03	5.49	4.25	1.04	5.82	4.23	1.05	5.99	4.23	1.06	6.15	4.51	1.06
	10	4.33	3.58	1.18	4.82	3.61	1.20	4.99	3.92	1.20	5.32	3.93	1.21	5.48	4.25	1.22	5.81	4.23	1.23	5.97	4.22	1.24	6.14	4.50	1.24	15	4.58	3.61	1.12	5.10	3.64	1.14	5.27	3.95	1.15	5.62	3.97	1.16	5.79	4.28	1.16	6.14	4.27	1.17	6.31	4.26	1.18	6.49	4.54	1.19
	20	5.83	4.17	1.47	6.50	4.20	1.49	6.72	4.56	1.50	7.16	4.58	1.51	7.39	4.94	1.52	7.83	4.93	1.54	8.05	4.92	1.54	8.27	5.24	1.55	25	5.62	4.07	1.66	6.26	4.10	1.69	6.47	4.46	1.70	6.90	4.47	1.72	7.11	4.83	1.72	7.54	4.81	1.74	7.75	4.80	1.75	7.96	5.12	1.76
30	5.19	3.89	1.82	5.79	3.91	1.85	5.98	4.25	1.86	6.38	4.27	1.88	6.58	4.61	1.89	6.97	4.59	1.90	7.17	4.58	1.91	7.36	4.89	1.92	35	5.37	3.97	2.41	5.98	3.99	2.45	6.19	4.34	2.46	6.60	4.35	2.49	6.80	4.70	2.50	7.21	4.68	2.53	7.41	4.67	2.54	7.62	4.99	2.55	
40	5.05	3.72	2.71	5.63	3.75	2.75	5.82	4.07	2.77	6.21	4.09	2.80	6.40	4.41	2.81	6.78	4.40	2.84	6.97	4.39	2.85	7.17	4.68	2.87	46	3.75	3.30	2.26	4.17	3.32	2.29	4.32	3.60	2.30	4.60	3.62	2.33	4.74	3.91	2.34	5.03	3.89	2.36	5.17	3.88	2.38	5.31	4.14	2.39	

Indoor units: 9,000 Btu + 14,000 Btu

		Indoor temperature																																																
°CDB		18						21						23						25						27						29						30						32						
°CWB		12						15						16						18						19						21						22						23						
Outdoor temperature	°CDB	TC	SHC	IP	TC	SHC	IP	TC	SHC	IP	TC	SHC	IP	TC	SHC	IP	TC	SHC	IP	TC	SHC	IP	TC	SHC	IP	TC	SHC	IP	TC	SHC	IP	TC	SHC	IP	TC	SHC	IP													
	kW			kW			kW			kW			kW			kW			kW			kW			kW			kW			kW			kW			kW			kW			kW							
	0	5.38	4.45	1.08	6.00	4.48	1.10	6.20	4.86	1.10	6.61	4.88	1.12	6.82	5.27	1.12	7.22	5.25	1.13	7.43	5.24	1.14	7.63	5.59	1.14	5	5.02	4.28	1.22	5.59	4.31	1.24	5.78	4.68	1.24	6.16	4.70	1.26	6.36	5.08	1.26	6.74	5.06	1.28	6.93	5.05	1.28	7.12	5.39	1.29
	10	5.04	4.29	1.42	5.62	4.32	1.45	5.81	4.69	1.45	6.19	4.71	1.47	6.38	5.09	1.47	6.77	5.07	1.49	6.96	5.06	1.50	7.15	5.40	1.50	15	5.20	4.27	1.26	5.79	4.29	1.28	5.99	4.67	1.29	6.38	4.69	1.30	6.58	5.06	1.30	6.97	5.04	1.32	7.17	5.03	1.32	7.37	5.37	1.33
	20	6.21	4.73	1.58	6.92	4.76	1.61	7.16	5.17	1.61	7.63	5.19	1.63	7.86	5.60	1.64	8.34	5.58	1.66	8.57	5.57	1.66	8.81	5.95	1.67	25	5.97	4.62	1.81	6.65	4.65	1.84	6.87	5.05	1.85	7.33	5.07	1.87	7.55	5.47	1.88	8.01	5.45	1.89	8.23	5.44	1.90	8.46	5.81	1.91
30	5.52	4.41	1.98	6.15	4.44	2.01	6.36	4.83	2.02	6.78	4.85	2.04	6.99	5.23	2.05	7.41	5.21	2.07	7.62	5.20	2.08	7.83	5.55	2.09	35	6.16	4.71	2.80	6.86	4.74	2.84	7.10	5.15	2.86	7.57	5.17	2.89	7.80	5.58	2.90	8.27	5.56	2.93	8.50	5.55	2.94	8.74	5.92	2.96	
40	5.38	4.32	2.89	5.99	4.35	2.93	6.20	4.72	2.95	6.61	4.74	2.98	6.81	5.12	2.99	7.22	5.10	3.02	7.42	5.09	3.03	7.63	5.43	3.05	46	3.81	3.43	2.26	4.24	3.45	2.29	4.39	3.75	2.30	4.68	3.77	2.33	4.82	4.07	2.34	5.11	4.05	2.36	5.26	4.05	2.38	5.40	4.32	2.39	

Indoor units: 9,000 Btu + 18,000 Btu

		Indoor temperature																								
°CDB		18			21			23			25			27			29			30			32			
°CWE		12			15			16			18			19			21			22			23			
Outdoor temperature	°CDB		TC	SHC	IP	TC	SHC	IP	TC	SHC	IP	TC	SHC	IP	TC	SHC	IP	TC	SHC	IP	TC	SHC	IP	TC	SHC	IP
			kW			kW			kW			kW			kW			kW			kW			kW		
	0		5.43	4.55	1.25	6.05	4.58	1.27	6.25	4.97	1.28	6.67	4.99	1.29	6.87	5.39	1.30	7.29	5.37	1.31	7.49	5.36	1.31	7.70	5.72	1.32
	5		5.06	4.39	1.39	5.64	4.42	1.41	5.83	4.80	1.41	6.22	4.82	1.43	6.41	5.20	1.44	6.79	5.18	1.45	6.98	5.17	1.46	7.18	5.52	1.46
	10	5.13	4.42	1.10	5.72	4.45	1.12	5.91	4.83	1.12	6.30	4.85	1.13	6.49	5.23	1.14	6.88	5.22	1.15	7.08	5.21	1.16	7.27	5.55	1.16	
	15	6.59	5.05	1.54	7.34	5.09	1.57	7.59	5.53	1.58	8.10	5.55	1.59	8.35	5.99	1.60	8.85	5.97	1.62	9.10	5.96	1.62	9.35	6.36	1.63	
	20	7.06	5.26	1.81	7.86	5.29	1.84	8.13	5.75	1.85	8.67	5.77	1.87	8.93	6.23	1.88	9.47	6.21	1.90	9.74	6.20	1.90	10.01	6.61	1.91	
	25	6.74	5.12	2.11	7.51	5.15	2.14	7.77	5.60	2.15	8.28	5.62	2.17	8.54	6.07	2.18	9.05	6.05	2.21	9.30	6.03	2.22	9.56	6.44	2.23	
	30	6.25	4.90	2.29	6.96	4.93	2.33	7.19	5.36	2.34	7.67	5.38	2.36	7.91	5.81	2.38	8.38	5.79	2.40	8.62	5.78	2.41	8.85	6.16	2.42	
	35	6.87	5.18	3.14	7.66	5.21	3.19	7.92	5.66	3.20	8.44	5.68	3.23	8.70	6.13	3.25	9.22	6.11	3.28	9.48	6.10	3.30	9.74	6.51	3.32	
	40	5.65	4.54	3.16	6.29	4.57	3.20	6.51	4.96	3.22	6.94	4.98	3.25	7.15	5.38	3.27	7.58	5.36	3.30	7.79	5.35	3.32	8.01	5.71	3.34	
	46	3.94	3.71	2.26	4.39	3.73	2.29	4.54	4.06	2.30	4.83	4.07	2.33	4.98	4.40	2.34	5.28	4.38	2.36	5.43	4.37	2.38	5.58	4.66	2.39	

Indoor units: 9,000 Btu + 24,000 Btu

		Indoor temperature																								
°CDB		18			21			23			25			27			29			30			32			
°CWE		12			15			16			18			19			21			22			23			
Outdoor temperature	°CDB		TC	SHC	IP	TC	SHC	IP	TC	SHC	IP	TC	SHC	IP	TC	SHC	IP	TC	SHC	IP	TC	SHC	IP	TC	SHC	IP
			kW			kW			kW			kW			kW			kW			kW			kW		
	0		7.07	5.54	1.26	7.88	5.58	1.28	8.15	6.06	1.28	8.68	6.08	1.30	8.95	6.57	1.30	9.49	6.54	1.32	9.76	6.53	1.32	10.03	6.97	1.33
	5		6.64	5.36	1.60	7.40	5.39	1.62	7.65	5.86	1.63	8.15	5.88	1.65	8.41	6.35	1.66	8.91	6.33	1.67	9.16	6.32	1.68	9.41	6.74	1.69
	10	6.77	5.41	1.65	7.54	5.45	1.68	7.80	5.92	1.69	8.31	5.94	1.70	8.57	6.41	1.71	9.08	6.39	1.73	9.34	6.38	1.74	9.59	6.80	1.75	
	15	7.76	5.83	1.96	8.64	5.87	1.99	8.93	6.38	2.00	9.52	6.40	2.02	9.82	6.91	2.03	10.41	6.89	2.05	10.70	6.87	2.06	11.00	7.33	2.07	
	20	8.10	5.97	2.07	9.02	6.01	2.10	9.33	6.53	2.11	9.94	6.56	2.13	10.25	7.08	2.14	10.86	7.06	2.16	11.17	7.04	2.17	11.48	7.51	2.18	
	25	8.42	6.11	2.71	9.38	6.15	2.75	9.70	6.68	2.77	10.34	6.71	2.80	10.66	7.24	2.81	11.29	7.22	2.84	11.61	7.20	2.85	11.93	7.68	2.87	
	30	7.82	5.86	2.94	8.71	5.90	2.98	9.01	6.41	3.00	9.60	6.43	3.03	9.90	6.94	3.04	10.50	6.92	3.07	10.79	6.91	3.09	11.09	7.37	3.10	
	35	7.51	5.72	3.40	8.36	5.76	3.45	8.65	6.26	3.47	9.22	6.28	3.50	9.50	6.78	3.52	10.07	6.76	3.56	10.36	6.75	3.58	10.64	7.20	3.58	
	40	6.15	5.04	3.16	6.85	5.07	3.20	7.08	5.51	3.22	7.55	5.53	3.25	7.78	5.97	3.27	8.25	5.95	3.30	8.48	5.94	3.32	8.72	6.33	3.34	
	46	4.13	4.12	2.35	4.60	4.15	2.39	4.75	4.51	2.40	5.07	4.53	2.43	5.23	4.89	2.44	5.54	4.87	2.46	5.70	4.86	2.48	5.85	5.18	2.49	

Indoor units: 12,000 Btu + 12,000 Btu

		Indoor temperature																								
°CDB		18			21			23			25			27			29			30			32			
°CWE		12			15			16			18			19			21			22			23			
Outdoor temperature	°CDB		TC	SHC	IP	TC	SHC	IP	TC	SHC	IP	TC	SHC	IP	TC	SHC	IP	TC	SHC	IP	TC	SHC	IP	TC	SHC	IP
			kW			kW			kW			kW			kW			kW			kW			kW		
	0		4.77	3.80	1.06	5.31	3.82	1.08	5.49	4.15	1.08	5.86	4.17	1.09	6.04	4.50	1.10	6.40	4.49	1.11	6.58	4.48	1.12	6.76	4.78	1.12
	5		4.45	3.66	1.19	4.95	3.68	1.21	5.12	4.00	1.21	5.46	4.02	1.23	5.63	4.34	1.23	5.96	4.32	1.24	6.13	4.31	1.25	6.30	4.60	1.26
	10	4.48	3.67	1.39	4.99	3.70	1.41	5.16	4.02	1.41	5.50	4.03	1.43	5.67	4.35	1.44	6.01	4.34	1.45	6.18	4.33	1.46	6.35	4.62	1.46	
	15	4.85	3.84	1.12	5.41	3.86	1.14	5.59	4.20	1.14	5.96	4.21	1.15	6.15	4.55	1.16	6.51	4.53	1.17	6.70	4.52	1.18	6.88	4.82	1.18	
	20	5.81	4.25	1.53	6.48	4.28	1.55	6.70	4.65	1.56	7.14	4.67	1.58	7.36	5.04	1.58	7.80	5.02	1.60	8.02	5.01	1.61	8.24	5.35	1.62	
	25	5.58	4.15	1.76	6.21	4.18	1.78	6.42	4.54	1.79	6.85	4.56	1.81	7.06	4.92	1.82	7.48	4.90	1.84	7.70	4.89	1.85	7.91	5.22	1.86	
	30	5.16	3.97	1.92	5.75	3.99	1.95	5.94	4.34	1.96	6.34	4.36	1.98	6.53	4.70	1.98	6.92	4.69	2.00	7.12	4.68	2.01	7.32	4.99	2.02	
	35	5.77	4.23	2.70	6.42	4.26	2.74	6.64	4.63	2.76	7.08	4.65	2.79	7.30	5.01	2.80	7.74	5.00	2.83	7.96	4.99	2.84	8.18	5.32	2.86	
	40	5.44	3.77	2.97	6.06	3.80	3.02	6.27	4.13	3.03	6.68	4.14	3.06	6.89	4.47	3.08	7.30	4.46	3.11	7.51	4.45	3.13	7.72	4.74	3.14	
	46	3.84	3.50	2.35	4.28	3.52	2.39	4.43	3.83	2.40	4.72	3.84	2.43	4.86	4.15	2.44	5.16	4.14	2.46	5.30	4.13	2.48	5.45	4.40	2.49	

Indoor units: 12,000 Btu + 14,000 Btu

		Indoor temperature																								
°CDB		18			21			23			25			27			29			30			32			
°CWE		12			15			16			18			19			21			22			23			
Outdoor temperature	°CDB		TC	SHC	IP	TC	SHC	IP	TC	SHC	IP	TC	SHC	IP	TC	SHC	IP	TC	SHC	IP	TC	SHC	IP	TC	SHC	IP
			kW			kW			kW			kW			kW			kW			kW			kW		
	0		5.34	4.57	1.25	5.94	4.60	1.27	6.15	4.99	1.28	6.55	5.01	1.29	6.75	5.41	1.30	7.16	5.39	1.31	7.36	5.38	1.32	7.56	5.74	1.32
	5		4.97	4.40	1.39	5.54	4.43	1.41	5.73	4.81	1.42	6.11	4.83	1.44	6.29	5.22	1.44	6.67	5.20	1.46	6.86	5.19	1.46	7.05	5.54	1.47
	10	5.03	4.43	1.09	5.60	4.46	1.11	5.79	4.84	1.12	6.18	4.86	1.13	6.37	5.25	1.13	6.75	5.23	1.14	6.94	5.22	1.15	7.13	5.57	1.16	
	15	6.45	5.07	1.55	7.19	5.10	1.57	7.44	5.54	1.58	7.93	5.57	1.60	8.17	6.01	1.60	8.66	5.99	1.62	8.91	5.98	1.63	9.15	6.37	1.64	
	20	6.58	5.12	1.75	7.33	5.16	1.78	7.58	5.60	1.79	8.08	5.63	1.81	8.33	6.07	1.82	8.83	6.05	1.83	9.08	6.04	1.84	9.33	6.44	1.85	
	25	6.29	5.00	2.03	7.01	5.03	2.06	7.25	5.46	2.07	7.73	5.49	2.09	7.97	5.92	2.10	8.44	5.90	2.13	8.68	5.89	2.14	8.92	6.28	2.15	
	30	5.83	4.79	2.21	6.49	4.82	2.25	6.71	5.24	2.26	7.15	5.26	2.28	7.38	5.67	2.29	7.82	5.65	2.31	8.04	5.64	2.33	8.26	6.02	2.34	
	35	6.72	5.19	3.18	7.48	5.22	3.23	7.74	5.67	3.25	8.25	5.69	3.28	8.50	6.15	3.30	9.01	6.12	3.33	9.27	6.11	3.35	9.52	6.52	3.37	
	40	5.62	4.60	3.16	6.27	4.63	3.20	6.48	5.03	3.22	6.91	5.05	3.25	7.12	5.45	3.27	7.55	5.43	3.30	7.76	5.42	3.32	7.97	5.79	3.34	
	46	3.91	3.64	2.35	4.35	3.66	2.39	4.50	3.98	2.40	4.80	4.00	2.43	4.94	4.31	2.44	5.24	4.30	2.46	5.39	4.29	2.48	5.54	4.58	2.49	

Indoor units: 12,000 Btu + 18,000 Btu

		Indoor temperature																																															
		18						21						23						25						27						29						30						32					
		12						15						16						18						19						21						22						23					
Outdoor temperature	°CDB	TC	SHC	IP	TC	SHC	IP	TC	SHC	IP	TC	SHC	IP	TC	SHC	IP	TC	SHC	IP	TC	SHC	IP	TC	SHC	IP	TC	SHC	IP	TC	SHC	IP	TC	SHC	IP	TC	SHC	IP												
	°CWE	kW						kW						kW						kW						kW						kW						kW											
	°CDB	kW						kW						kW						kW						kW						kW						kW											
0	6.87	5.26	1.73	7.65	5.29	1.76	7.91	5.75	1.77	8.44	5.77	1.79	8.70	6.23	1.80	9.22	6.21	1.82	9.48	6.20	1.82	9.74	6.61	1.83																									
5	6.42	5.07	1.90	7.15	5.10	1.93	7.40	5.54	1.94	7.88	5.56	1.96	8.13	6.00	1.97	8.61	5.98	1.99	8.86	5.97	2.00	9.10	6.37	2.01																									
10	6.53	5.11	1.56	7.28	5.15	1.58	7.53	5.59	1.59	8.02	5.61	1.61	8.27	6.06	1.62	8.77	6.04	1.63	9.01	6.03	1.64	9.26	6.43	1.65																									
15	7.14	5.37	1.80	7.95	5.41	1.83	8.22	5.87	1.84	8.76	5.90	1.86	9.04	6.36	1.87	9.58	6.34	1.89	9.85	6.33	1.90	10.12	6.75	1.91																									
20	7.75	5.63	2.06	8.63	5.67	2.09	8.93	6.16	2.11	9.52	6.18	2.13	9.81	6.67	2.14	10.40	6.65	2.16	10.69	6.64	2.17	10.99	7.08	2.18																									
25	7.37	5.47	2.43	8.21	5.50	2.47	8.49	5.98	2.48	9.05	6.00	2.51	9.33	6.48	2.52	9.89	6.46	2.54	10.17	6.45	2.56	10.45	6.88	2.57																									
30	6.83	5.24	2.64	7.61	5.27	2.68	7.87	5.73	2.69	8.39	5.75	2.72	8.65	6.21	2.73	9.17	6.19	2.76	9.43	6.18	2.77	9.69	6.59	2.79																									
35	7.19	5.39	3.40	8.01	5.43	3.45	8.28	5.90	3.47	8.83	5.92	3.50	9.10	6.39	3.52	9.65	6.37	3.56	9.92	6.36	3.58	10.19	6.78	3.58																									
40	5.87	4.75	3.16	6.54	4.78	3.20	6.77	5.19	3.22	7.21	5.21	3.25	7.44	5.62	3.27	7.88	5.60	3.30	8.11	5.59	3.32	8.33	5.97	3.34																									
46	4.03	3.92	2.35	4.49	3.94	2.39	4.65	4.28	2.40	4.95	4.30	2.43	5.10	4.64	2.44	5.41	4.62	2.46	5.56	4.62	2.48	5.72	4.92	2.49																									

Indoor units: 12,000 Btu + 24,000 Btu

		Indoor temperature																																															
		18						21						23						25						27						29						30						32					
		12						15						16						18						19						21						22						23					
Outdoor temperature	°CDB	TC	SHC	IP	TC	SHC	IP	TC	SHC	IP	TC	SHC	IP	TC	SHC	IP	TC	SHC	IP	TC	SHC	IP	TC	SHC	IP	TC	SHC	IP	TC	SHC	IP	TC	SHC	IP															
	°CWE	kW						kW						kW						kW						kW						kW						kW											
	°CDB	kW						kW						kW						kW						kW						kW						kW											
0	7.47	5.77	1.43	8.32	5.80	1.45	8.61	6.31	1.46	9.17	6.33	1.47	9.46	6.83	1.48	10.03	6.81	1.50	10.31	6.80	1.50	10.59	7.25	1.51																									
5	7.06	5.60	1.72	7.87	5.63	1.74	8.14	6.12	1.75	8.67	6.14	1.77	8.94	6.63	1.78	9.48	6.61	1.80	9.75	6.60	1.81	10.02	7.04	1.82																									
10	7.19	5.65	1.87	8.01	5.68	1.90	8.28	6.18	1.91	8.83	6.20	1.93	9.10	6.69	1.94	9.65	6.67	1.96	9.92	6.66	1.97	10.19	7.10	1.97																									
15	7.70	5.86	2.02	8.57	5.90	2.05	8.86	6.41	2.06	9.45	6.43	2.09	9.74	6.94	2.10	10.33	6.92	2.12	10.62	6.91	2.13	10.91	7.37	2.14																									
20	8.10	6.03	2.07	9.02	6.07	2.10	9.33	6.59	2.11	9.95	6.62	2.13	10.26	7.15	2.15	10.87	7.12	2.17	11.18	7.11	2.18	11.49	7.58	2.19																									
25	8.37	6.14	2.75	9.32	6.18	2.79	9.64	6.72	2.81	10.28	6.74	2.84	10.60	7.28	2.85	11.23	7.25	2.88	11.55	7.24	2.89	11.87	7.72	2.91																									
30	7.80	5.90	2.97	8.68	5.94	3.02	8.98	6.45	3.03	9.57	6.48	3.06	9.87	6.99	3.08	10.46	6.97	3.11	10.76	6.96	3.12	11.05	7.42	3.14																									
35	7.51	5.78	3.40	8.36	5.82	3.45	8.65	6.32	3.47	9.22	6.35	3.50	9.50	6.85	3.52	10.07	6.82	3.56	10.36	6.81	3.58	10.64	7.27	3.58																									
40	6.42	5.09	3.16	7.15	5.12	3.20	7.40	5.56	3.22	7.88	5.58	3.25	8.13	6.03	3.27	8.62	6.01	3.30	8.86	6.00	3.32	9.10	6.40	3.34																									
46	4.22	4.22	2.35	4.70	4.36	2.39	4.86	4.73	2.40	5.19	4.75	2.43	5.35	5.13	2.44	5.67	5.11	2.46	5.83	5.10	2.48	5.99	5.44	2.49																									

Indoor units: 14,000 Btu + 14,000 Btu

		Indoor temperature																																															
		18						21						23						25						27						29						30						32					
		12						15						16						18						19						21						22						23					
Outdoor temperature	°CDB	TC	SHC	IP	TC	SHC	IP	TC	SHC	IP	TC	SHC	IP	TC	SHC	IP	TC	SHC	IP	TC	SHC	IP	TC	SHC	IP	TC	SHC	IP	TC	SHC	IP	TC	SHC	IP															
	°CWE	kW						kW						kW						kW						kW						kW						kW											
	°CDB	kW						kW						kW						kW						kW						kW						kW											
0	5.59	5.01	1.33	6.22	5.05	1.35	6.43	5.48	1.35	6.86	5.50	1.37	7.07	5.94	1.37	7.50	5.92	1.39	7.71	5.91	1.39	7.92	6.30	1.40																									
5	5.21	4.84	1.46	5.80	4.87	1.49	6.00	5.29	1.50	6.40	5.31	1.51	6.60	5.74	1.52	6.99	5.72	1.53	7.19	5.70	1.54	7.39	6.09	1.55																									
10	5.29	4.88	1.18	5.89	4.91	1.19	6.09	5.33	1.20	6.50	5.35	1.21	6.70	5.78	1.22	7.10	5.76	1.23	7.30	5.75	1.24	7.50	6.13	1.24																									
15	6.81	5.58	1.63	7.58	5.61	1.66	7.84	6.10	1.67	8.36	6.12	1.69	8.62	6.61	1.69	9.13	6.59	1.71	9.39	6.57	1.72	9.65	7.01	1.73																									
20	7.30	5.81	1.90	8.13	5.84	1.92	8.41	6.35	1.93	8.97	6.38	1.95	9.24	6.88	1.96	9.80	6.86	1.98	10.07	6.84	1.99	10.35	7.30	2.00																									
25	6.96	5.65	2.22	7.76	5.69	2.25	8.02	6.18	2.26	8.55	6.20	2.28	8.82	6.70	2.30	9.35	6.67	2.32	9.61	6.66	2.33	9.87	7.11	2.34																									
30	6.45	5.41	2.41	7.19	5.45	2.45	7.43	5.92	2.46	7.92	5.94	2.48	8.17	6.42	2.50	8.66	6.39	2.52	8.90	6.38	2.53	9.15	6.81	2.55																									
35	7.11	5.72	3.28	7.92	5.75	3.33	8.19	6.25	3.35	8.73	6.28	3.38	9.00	6.78	3.40	9.54	6.75	3.43	9.81	6.74	3.45	10.08	7.19	3.47																									
40	5.78	4.95	3.04	6.44	4.99	3.09	6.66	5.42	3.10	7.10	5.44	3.13	7.32	5.87	3.15	7.76	5.85	3.18	7.98	5.84	3.20	8.20	6.23	3.21																									
46	3.97	3.78	2.35	4.42	3.80	2.39	4.57	4.13	2.40	4.87	4.15	2.43	5.02	4.48	2.44	5.33	4.46	2.46	5.48	4.45	2.48	5.63	4.75	2.49																									

Indoor units: 14,000 Btu + 18,000 Btu

		Indoor temperature																																															
		18						21						23						25						27						29						30						32					
		12						15						16						18						19						21						22						23					
Outdoor temperature	°CDB	TC	SHC	IP	TC	SHC	IP	TC	SHC	IP	TC	SHC	IP	TC	SHC	IP	TC	SHC	IP	TC	SHC	IP	TC	SHC	IP	TC	SHC	IP	TC	SHC	IP	TC	SHC	IP															
	°CWE	kW						kW						kW						kW						kW						kW						kW											
	°CDB	kW						kW						kW						kW						kW						kW						kW											
0	6.95	5.59	1.23	7.75	5.63	1.25	8.01	6.11	1.26	8.54	6.14	1.27	8.80	6.62	1.27	9.33	6.60	1.29	9.60	6.59	1.29	9.86	7.03	1.30																									
5	6.52	5.40	1.59	7.26	5.43	1.62	7.51	5.90	1.63	8.00	5.93	1.64	8.25	6.40	1.65	8.75	6.37	1.67	8.99	6.36	1.68	9.24	6.79	1.69																									
10	6.64	5.45	1.62	7.40	5.49	1.65	7.65	5.96	1.66	8.15	5.99	1.67	8.41	6.46	1.68	8.91	6.44	1.70	9.16	6.43	1.71	9.41	6.86	1.71																									
15	7.61	5.88	1.94	8.48	5.92	1.97	8.77	6.43	1.98	9.35	6.45	2.00	9.64	6.97	2.01	10.21	6.94	2.03	10.50	6.93	2.04	10.79	7.39	2.05																									
20	7.92	6.01	2.07	8.83	6.05	2.10	9.13	6.58	2.11	9.73	6.60	2.13	10.03	7.13	2.14	10.63	7.10	2.16	10.93	7.09	2.17	11.23	7.56	2.18																									
25	7.50	5.83	2.45	8.36	5.87	2.49	8.64	6.38	2.51	9.21	6.40	2.53	9.50	6.91	2.54	10.07	6.89	2.57	10.35	6.87	2.58	10.64	7.33	2.59																									
30	6.97	5.60	2.66	7.76	5.63	2.70	8.03	6.12	2.71	8.56	6.14	2.74	8.82	6.63	2.75	9.35	6.61	2.78	9.62	6.60	2.80	9.88	7.04	2.81																									
35	7.35	5.76	3.40	8.18	5.80	3.45	8.46	6.30	3.47	9.02	6.33	3.50	9.30	6.83	3.52	9.86	6.80	3.56	10.14	6.79	3.58	10.42	7.25	3.58																									
40	6.06	5.07	3.16	6.75	5.10	3.20	6.98	5.55	3.22	7.44	5.57	3.25	7.67	6.01	3.27	8.13	5.99	3.30	8.36	5.98	3.32	8.59	6.38	3.34																									
46	4.10	4.05	2.35	4.56	4.08	2.39	4.72	4.43	2.40	5.03	4.45	2.43	5.18	4.80	2.44	5.50	4.79	2.46	5.65	4.78	2.48	5.81	5.10	2.49																									

**□ Indoor units: 14,000 Btu + 24,000 Btu**

		Indoor temperature																							
°CDB		18			21			23			25			27			29			30			32		
°CWE		12			15			16			18			19			21			22			23		
Outdoor temperature	°CDB	TC	SHC	IP	TC	SHC	IP	TC	SHC	IP	TC	SHC	IP	TC	SHC	IP	TC	SHC	IP	TC	SHC	IP	TC	SHC	IP
		kW			kW			kW			kW			kW			kW			kW			kW		
0	7.95	6.43	1.56	8.85	6.47	1.58	9.15	7.03	1.59	9.76	7.05	1.61	10.06	7.61	1.62	10.66	7.59	1.63	10.96	7.57	1.64	11.26	8.08	1.65	
5	7.56	6.25	1.81	8.42	6.29	1.84	8.70	6.84	1.85	9.28	6.87	1.86	9.57	7.41	1.87	10.14	7.38	1.89	10.43	7.37	1.90	10.71	7.86	1.91	
10	7.67	6.30	2.03	8.55	6.34	2.06	8.84	6.89	2.07	9.42	6.92	2.09	9.71	7.47	2.10	10.29	7.44	2.12	10.58	7.43	2.13	10.88	7.93	2.14	
15	8.41	6.63	2.22	9.37	6.67	2.26	9.69	7.25	2.27	10.33	7.28	2.29	10.65	7.86	2.31	11.29	7.83	2.33	11.61	7.82	2.34	11.93	8.34	2.35	
20	8.28	6.57	2.07	9.22	6.61	2.11	9.53	7.19	2.12	10.16	7.21	2.14	10.48	7.79	2.15	11.11	7.76	2.17	11.42	7.75	2.18	11.74	8.26	2.19	
25	8.84	6.82	2.89	9.85	6.87	2.93	10.19	7.46	2.94	10.86	7.49	2.97	11.20	8.08	2.99	11.87	8.06	3.02	12.20	8.04	3.03	12.54	8.58	3.05	
30	8.25	6.56	3.11	9.19	6.60	3.16	9.51	7.18	3.17	10.13	7.20	3.21	10.45	7.78	3.22	11.07	7.75	3.25	11.39	7.73	3.27	11.70	8.25	3.29	
35	7.66	6.30	3.40	8.54	6.34	3.45	8.83	6.89	3.47	9.41	6.92	3.50	9.70	7.47	3.52	10.28	7.44	3.56	10.57	7.43	3.58	10.86	7.92	3.58	
40	6.60	5.54	3.16	7.36	5.58	3.20	7.61	6.06	3.22	8.11	6.09	3.25	8.36	6.57	3.27	8.86	6.55	3.30	9.11	6.54	3.32	9.36	6.97	3.34	
46	4.29	4.29	2.35	4.77	4.50	2.39	4.94	4.89	2.40	5.26	4.90	2.43	5.43	5.29	2.44	5.75	5.27	2.46	5.91	5.27	2.48	6.08	5.62	2.49	

**□ Indoor units: 18,000 Btu + 18,000 Btu**

		Indoor temperature																							
°CDB		18			21			23			25			27			29			30			32		
°CWE		12			15			16			18			19			21			22			23		
Outdoor temperature	°CDB	TC	SHC	IP	TC	SHC	IP	TC	SHC	IP	TC	SHC	IP	TC	SHC	IP	TC	SHC	IP	TC	SHC	IP	TC	SHC	IP
		kW			kW			kW			kW			kW			kW			kW			kW		
0	7.63	6.14	1.43	8.50	6.18	1.45	8.79	6.71	1.46	9.37	6.74	1.47	9.66	7.28	1.48	10.24	7.25	1.50	10.53	7.24	1.50	10.82	7.72	1.51	
5	7.21	5.96	1.72	8.04	6.00	1.74	8.31	6.51	1.75	8.86	6.54	1.77	9.13	7.06	1.78	9.68	7.03	1.80	9.95	7.02	1.81	10.23	7.49	1.82	
10	7.34	6.01	1.87	8.18	6.05	1.90	8.46	6.58	1.91	9.01	6.60	1.93	9.29	7.13	1.94	9.85	7.10	1.96	10.13	7.09	1.97	10.41	7.56	1.97	
15	8.46	6.50	2.18	9.43	6.54	2.21	9.75	7.11	2.22	10.39	7.14	2.25	10.71	7.71	2.26	11.35	7.68	2.28	11.68	7.66	2.29	12.00	8.18	2.30	
20	8.27	6.42	2.07	9.21	6.46	2.10	9.53	7.02	2.11	10.16	7.05	2.13	10.47	7.61	2.15	11.10	7.58	2.17	11.41	7.57	2.18	11.73	8.07	2.19	
25	8.55	6.54	2.75	9.52	6.58	2.79	9.84	7.15	2.81	10.49	7.18	2.84	10.82	7.75	2.85	11.47	7.72	2.88	11.79	7.71	2.89	12.12	8.22	2.91	
30	7.96	6.28	2.97	8.87	6.32	3.02	9.17	6.87	3.03	9.77	6.90	3.06	10.08	7.45	3.08	10.68	7.42	3.11	10.98	7.41	3.12	11.29	7.90	3.14	
35	7.66	6.15	3.40	8.54	6.19	3.45	8.83	6.73	3.47	9.41	6.76	3.50	9.70	7.29	3.52	10.28	7.27	3.56	10.57	7.25	3.58	10.86	7.74	3.58	
40	6.42	5.42	3.16	7.15	5.45	3.20	7.40	5.92	3.22	7.88	5.95	3.25	8.13	6.42	3.27	8.62	6.39	3.30	8.86	6.38	3.32	9.10	6.81	3.34	
46	4.22	4.22	2.35	4.70	4.36	2.39	4.86	4.73	2.40	5.19	4.75	2.43	5.35	5.13	2.44	5.67	5.11	2.46	5.83	5.10	2.48	5.99	5.44	2.49	

**□ Indoor units: 18,000 Btu + 24,000 Btu**

		Indoor temperature																							
°CDB		18			21			23			25			27			29			30			32		
°CWE		12			15			16			18			19			21			22			23		
Outdoor temperature	°CDB	TC	SHC	IP	TC	SHC	IP	TC	SHC	IP	TC	SHC	IP	TC	SHC	IP	TC	SHC	IP	TC	SHC	IP	TC	SHC	IP
		kW			kW			kW			kW			kW			kW			kW			kW		
0	8.64	6.82	1.81	9.63	6.87	1.84	9.96	7.46	1.85	10.61	7.49	1.86	10.94	8.09	1.87	11.60	8.06	1.89	11.93	8.04	1.90	12.25	8.58	1.91	
5	8.34	6.69	1.96	9.29	6.74	1.99	9.61	7.32	2.00	10.24	7.35	2.02	10.56	7.93	2.03	11.19	7.90	2.05	11.51	7.89	2.06	11.83	8.42	2.08	
10	8.40	6.72	2.02	9.35	6.76	2.05	9.67	7.35	2.06	10.31	7.37	2.08	10.63	7.96	2.10	11.27	7.93	2.12	11.59	7.92	2.13	11.91	8.45	2.14	
15	8.48	6.75	1.80	9.45	6.80	1.83	9.77	7.39	1.84	10.42	7.42	1.85	10.74	8.00	1.86	11.38	7.98	1.88	11.71	7.96	1.89	12.03	8.49	1.90	
20	8.46	6.75	2.08	9.43	6.79	2.11	9.75	7.38	2.12	10.39	7.41	2.14	10.71	7.99	2.15	11.35	7.97	2.18	11.68	7.95	2.19	12.00	8.48	2.20	
25	8.95	6.95	2.94	9.97	7.00	2.98	10.31	7.61	3.00	10.99	7.64	3.03	11.33	8.24	3.05	12.01	8.21	3.08	12.35	8.20	3.09	12.69	8.74	3.11	
30	8.39	6.71	3.16	9.34	6.76	3.21	9.66	7.34	3.22	10.30	7.37	3.26	10.62	7.96	3.27	11.25	7.93	3.30	11.57	7.91	3.32	11.89	8.44	3.34	
35	7.82	6.47	3.40	8.71	6.51	3.45	9.01	7.07	3.47	9.60	7.10	3.50	9.90	7.67	3.52	10.49	7.64	3.56	10.79	7.62	3.58	11.09	8.13	3.58	
40	6.97	5.69	3.16	7.76	5.73	3.20	8.03	6.23	3.22	8.56	6.25	3.25	8.82	6.75	3.27	9.35	6.72	3.30	9.61	6.71	3.32	9.88	7.16	3.34	
46	4.41	4.41	2.35	4.92	4.65	2.39	5.08	5.06	2.40	5.42	5.08	2.43	5.59	5.48	2.44	5.92	5.46	2.46	6.09	5.45	2.48	6.26	5.81	2.49	

**□ Indoor units: 7,000 Btu + 7,000 Btu + 7,000 Btu**

		Indoor temperature																							
°CDB		18			21			23			25			27			29			30			32		
°CWE		12			15			16			18			19			21			22			23		
Outdoor temperature	°CDB	TC	SHC	IP	TC	SHC	IP	TC	SHC	IP	TC	SHC	IP	TC	SHC	IP	TC	SHC	IP	TC	SHC	IP	TC	SHC	IP
		kW			kW			kW			kW			kW			kW			kW			kW		
0	5.64	4.46	1.00	6.28	4.49	1.01	6.50	4.87	1.02	6.93	4.89	1.03	7.14	5.28	1.03	7.57	5.26	1.04	7.78	5.25	1.05	8.00	5.60	1.05	
5	5.27	4.28	1.13	5.87	4.31	1.15	6.07	4.68	1.16	6.47	4.70	1.17	6.67	5.08	1.17	7.07	5.06	1.19	7.27	5.05	1.19	7.47	5.39	1.20	
10	5.26	4.28	1.33	5.86	4.31	1.35	6.06	4.68	1.36	6.46	4.70	1.37	6.66	5.07	1.38	7.05	5.05	1.39	7.25	5.04	1.40	7.45	5.38	1.40	
15	5.29	4.29	1.15	5.90	4.32	1.17	6.10	4.70	1.17	6.50	4.72	1.18	6.70	5.09	1.19	7.10	5.07	1.20	7.30	5.06	1.21	7.50	5.40	1.21	
20	6.75	4.97	1.50	7.51	5.00	1.52	7.77	5.44	1.53	8.28	5.46	1.55	8.54	5.89	1.56	9.05	5.87	1.57	9.31	5.86	1.58	9.56	6.25	1.59	
25	6.49	4.86	1.70	7.23	4.89	1.73	7.48	5.31	1.74	7.97	5.33	1.75	8.22	5.75	1.76	8.71	5.73	1.78	8.96	5.72	1.79	9.21	6.10	1.80	
30	6.01	4.63	1.86	6.69	4.66	1.89	6.92	5.06	1.90	7.38	5.08	1.92	7.60	5.48	1.93	8.06	5.46	1.95	8.29	5.45	1.96	8.52	5.82	1.97	
35	5.93	4.59	2.35	6.60	4.62	2.39	6.83	5.02	2.40	7.28	5.04	2.43	7.50	5.44	2.44	7.95	5.42	2.46	8.18	5.41	2.48	8.40	5.77	2.49	
40	5.78	4.29	2.75	6.44	4.32	2.79	6.66	4.70	2.81	7.10	4.71	2.84	7.32	5.09	2.85	7.76	5.07	2.88	7.98	5.06	2.89	8.20	5.40	2.91	
46	3.88	3.76	2.12	4.32	3.79	2.16	4.47	4.11	2.17	4.76	4.13	2.19	4.91	4.46	2.20	5.20	4.44	2.22	5.35	4.43	2.23	5.50	4.73	2.24	

### ☐ Indoor units: 7,000 Btu + 7,000 Btu + 9,000 Btu

	Indoor temperature																							
	18			21			23			25			27			29			30			32		
	12			15			16			18			19			21			22			23		
	°CDB			°CWB			°CDB			°CWB			°CDB			°CWB			°CDB			°CWB		
	TC	SHC	IP	TC	SHC	IP	TC	SHC	IP	TC	SHC	IP	TC	SHC	IP	TC	SHC	IP	TC	SHC	IP	TC	SHC	IP
Outdoor temperature	kW			kW			kW			kW			kW			kW			kW			kW		
0	5.45	4.45	1.02	6.07	4.47	1.04	6.28	4.86	1.05	6.69	4.88	1.06	6.90	5.27	1.06	7.31	5.25	1.07	7.52	5.24	1.08	7.73	5.59	1.08
5	5.08	4.28	1.15	5.66	4.30	1.17	5.86	4.68	1.18	6.24	4.69	1.19	6.43	5.07	1.20	6.82	5.05	1.21	7.01	5.04	1.21	7.21	5.38	1.22
10	5.10	4.29	1.35	5.69	4.31	1.37	5.88	4.69	1.38	6.27	4.71	1.39	6.46	5.08	1.40	6.85	5.06	1.41	7.04	5.05	1.42	7.24	5.39	1.42
15	5.52	4.48	1.19	6.15	4.51	1.21	6.36	4.90	1.22	6.78	4.92	1.23	6.99	5.31	1.24	7.41	5.29	1.25	7.62	5.28	1.25	7.83	5.63	1.26
20	7.06	5.19	1.60	7.86	5.22	1.63	8.13	5.68	1.63	8.67	5.70	1.65	8.94	6.15	1.66	9.47	6.13	1.68	9.74	6.12	1.68	10.01	6.53	1.69
25	6.78	5.06	1.83	7.55	5.09	1.86	7.81	5.54	1.87	8.33	5.56	1.89	8.58	6.00	1.90	9.10	5.98	1.92	9.36	5.97	1.93	9.61	6.36	1.94
30	6.27	4.83	2.00	6.99	4.86	2.03	7.23	5.28	2.04	7.70	5.30	2.06	7.94	5.72	2.07	8.42	5.70	2.09	8.66	5.69	2.10	8.89	6.07	2.11
35	6.08	4.74	2.46	6.78	4.77	2.50	7.01	5.18	2.51	7.47	5.20	2.54	7.70	5.62	2.55	8.16	5.60	2.58	8.39	5.58	2.59	8.62	5.96	2.60
40	5.86	4.44	2.88	6.53	4.47	2.92	6.75	4.85	2.94	7.19	4.87	2.97	7.41	5.26	2.98	7.86	5.24	3.01	8.08	5.23	3.02	8.30	5.58	3.04
46	3.92	3.82	2.26	4.37	3.85	2.29	4.51	4.18	2.30	4.81	4.20	2.33	4.96	4.53	2.34	5.26	4.52	2.36	5.41	4.51	2.38	5.56	4.81	2.39

### ☐ Indoor units: 7,000 Btu + 7,000 Btu + 12,000 Btu

	Indoor temperature																							
	18			21			23			25			27			29			30			32		
	12			15			16			18			19			21			22			23		
	°CDB			°CWB			°CDB			°CWB			°CDB			°CWB			°CDB			°CWB		
	TC	SHC	IP	TC	SHC	IP	TC	SHC	IP	TC	SHC	IP	TC	SHC	IP	TC	SHC	IP	TC	SHC	IP	TC	SHC	IP
Outdoor temperature	kW			kW			kW			kW			kW			kW			kW			kW		
0	5.44	4.43	1.21	6.05	4.46	1.23	6.26	4.84	1.23	6.67	4.86	1.25	6.88	5.25	1.25	7.29	5.23	1.27	7.50	5.22	1.27	7.71	5.57	1.28
5	5.07	4.26	1.35	5.64	4.29	1.37	5.84	4.66	1.37	6.22	4.68	1.39	6.41	5.05	1.39	6.80	5.04	1.41	6.99	5.03	1.42	7.18	5.36	1.42
10	5.12	4.29	1.06	5.71	4.32	1.07	5.90	4.69	1.08	6.29	4.71	1.09	6.49	5.08	1.10	6.88	5.07	1.11	7.07	5.06	1.11	7.27	5.40	1.12
15	6.85	5.15	1.50	7.63	5.18	1.52	7.89	5.63	1.53	8.41	5.65	1.54	8.67	6.10	1.55	9.19	6.08	1.57	9.45	6.07	1.57	9.71	6.47	1.58
20	7.32	5.36	1.78	8.15	5.39	1.80	8.43	5.86	1.81	8.99	5.88	1.83	9.26	6.35	1.84	9.82	6.32	1.86	10.10	6.31	1.87	10.37	6.73	1.88
25	7.00	5.21	2.06	7.80	5.25	2.09	8.06	5.70	2.10	8.60	5.72	2.12	8.86	6.18	2.13	9.39	6.16	2.15	9.66	6.15	2.17	9.93	6.56	2.18
30	6.48	4.98	2.24	7.22	5.01	2.28	7.47	5.45	2.29	7.96	5.47	2.31	8.21	5.90	2.32	8.70	5.88	2.35	8.94	5.87	2.36	9.19	6.26	2.37
35	6.48	4.98	2.80	7.22	5.01	2.84	7.46	5.45	2.86	7.95	5.47	2.89	8.20	5.90	2.90	8.69	5.88	2.93	8.94	5.87	2.94	9.18	6.26	2.96
40	5.97	4.66	3.16	6.65	4.69	3.20	6.88	5.09	3.22	7.33	5.11	3.25	7.56	5.52	3.27	8.01	5.50	3.30	8.24	5.49	3.32	8.46	5.85	3.34
46	3.98	3.92	2.35	4.43	3.94	2.39	4.58	4.29	2.40	4.89	4.30	2.43	5.04	4.64	2.44	5.34	4.63	2.46	5.49	4.62	2.48	5.64	4.93	2.49

### ☐ Indoor units: 7,000 Btu + 7,000 Btu + 14,000 Btu

	Indoor temperature																							
	18			21			23			25			27			29			30			32		
	12			15			16			18			19			21			22			23		
	°CDB			°CWB			°CDB			°CWB			°CDB			°CWB			°CDB			°CWB		
	TC	SHC	IP	TC	SHC	IP	TC	SHC	IP	TC	SHC	IP	TC	SHC	IP	TC	SHC	IP	TC	SHC	IP	TC	SHC	IP
Outdoor temperature	kW			kW			kW			kW			kW			kW			kW			kW		
0	6.97	5.58	1.69	7.76	5.61	1.71	8.02	6.10	1.72	8.55	6.12	1.74	8.82	6.61	1.75	9.35	6.59	1.77	9.61	6.57	1.77	9.87	7.01	1.78
5	6.50	5.36	1.86	7.24	5.40	1.89	7.48	5.87	1.90	7.98	5.89	1.92	8.22	6.36	1.93	8.72	6.33	1.95	8.96	6.32	1.96	9.21	6.74	1.97
10	6.60	5.41	1.50	7.35	5.44	1.52	7.60	5.91	1.53	8.10	5.94	1.54	8.35	6.41	1.55	8.85	6.39	1.57	9.10	6.37	1.57	9.35	6.80	1.58
15	6.73	5.47	1.65	7.50	5.50	1.67	7.75	5.98	1.68	8.26	6.01	1.70	8.52	6.48	1.71	9.03	6.46	1.73	9.29	6.45	1.73	9.54	6.88	1.74
20	7.22	5.69	1.91	8.04	5.73	1.94	8.32	6.23	1.95	8.87	6.25	1.97	9.14	6.75	1.98	9.69	6.72	2.00	9.96	6.71	2.01	10.24	7.16	2.02
25	6.89	5.54	2.23	7.67	5.58	2.27	7.93	6.06	2.28	8.46	6.08	2.30	8.72	6.57	2.32	9.24	6.54	2.34	9.50	6.53	2.35	9.76	6.97	2.36
30	6.38	5.31	2.43	7.11	5.34	2.47	7.35	5.81	2.48	7.84	5.83	2.50	8.08	6.29	2.52	8.56	6.27	2.54	8.80	6.26	2.56	9.05	6.68	2.57
35	7.03	5.61	3.31	7.83	5.64	3.36	8.10	6.13	3.38	8.63	6.16	3.41	8.90	6.65	3.43	9.43	6.62	3.46	9.70	6.61	3.48	9.97	7.05	3.50
40	6.05	4.80	3.16	6.73	4.83	3.20	6.96	5.25	3.22	7.42	5.27	3.25	7.65	5.69	3.27	8.11	5.67	3.30	8.34	5.66	3.32	8.57	6.04	3.34
46	4.02	3.98	2.35	4.48	4.01	2.39	4.63	4.36	2.40	4.94	4.37	2.43	5.09	4.72	2.44	5.39	4.70	2.46	5.55	4.69	2.48	5.70	5.01	2.49

### ☐ Indoor units: 7,000 Btu + 7,000 Btu + 18,000 Btu

	Indoor temperature																							
	18			21			23			25			27			29			30			32		
	12			15			16			18			19			21			22			23		
	°CDB			°CWB			°CDB			°CWB			°CDB			°CWB			°CDB			°CWB		
	TC	SHC	IP	TC	SHC	IP	TC	SHC	IP	TC	SHC	IP	TC	SHC	IP	TC	SHC	IP	TC	SHC	IP	TC	SHC	IP
Outdoor temperature	kW			kW			kW			kW			kW			kW			kW			kW		
0	7.48	6.05	1.24	8.33	6.09	1.26	8.61	6.61	1.27	9.18	6.64	1.28	9.47	7.17	1.29	10.03	7.14	1.30	10.32	7.13	1.31	10.60	7.60	1.31
5	7.01	5.84	1.61	7.81	5.88	1.63	8.07	6.39	1.64	8.61	6.41	1.66	8.87	6.92	1.67	9.40	6.90	1.68	9.67	6.88	1.69	9.94	7.34	1.70
10	7.14	5.90	1.64	7.95	5.94	1.66	8.23	6.45	1.67	8.77	6.48	1.69	9.04	6.99	1.70	9.58	6.96	1.71	9.85	6.95	1.72	10.12	7.42	1.73
15	7.81	6.19	1.86	8.70	6.23	1.89	8.99	6.77	1.90	9.59	6.80	1.92	9.88	7.34	1.93	10.48	7.31	1.95	10.77	7.30	1.96	11.07	7.79	1.97
20	8.52	6.51	2.08	9.49	6.55	2.12	9.81	7.12	2.13	10.46	7.14	2.15	10.78	7.71	2.16	11.43	7.68	2.18	11.76	7.67	2.19	12.08	8.18	2.20
25	8.88	6.66	2.72	9.89	6.71	2.77	10.23	7.29	2.78	10.90	7.32	2.81	11.24	7.90	2.82	11.91	7.87	2.85	12.25	7.86	2.86	12.58	8.38	2.88
30	8.24	6.38	2.95	9.18	6.43	2.99	9.49	6.98	3.01	10.12	7.01	3.04	10.43	7.57	3.06	11.06	7.54	3.09	11.37	7.53	3.10	11.69	8.03	3.12
35	7.90	6.23	3.43	8.80	6.27	3.48	9.10	6.82	3.50	9.70	6.84	3.53	10.00	7.39	3.55	10.60	7.36	3.58	10.90	7.35	3.58	11.20	7.84	3.58
40	6.22	5.49	3.16	6.93	5.52	3.20	7.16	6.00	3.22	7.63	6.02	3.25	7.87	6.50	3.27	8.34	6.48	3.30	8.58	6.47	3.32	8.81	6.90	3.34
46	4.10	4.10	2.35	4.57	4.13	2.39	4.72	4.49	2.40	5.03	4.51	2.43	5.19	4.87	2.44	5.50	4.85	2.46	5.66	4.84	2.48	5.81	5.17	2.49

☐ Indoor units: 7,000 Btu + 7,000 Btu + 24,000 Btu

		Indoor temperature																																																																							
°CDB		18									21									23									25									27									29									30									32								
°CWE		12									15									16									18									19									21									22									23								
Outdoor temperature	°CDB	TC	SHC	IP	TC	SHC	IP	TC	SHC	IP	TC	SHC	IP	TC	SHC	IP	TC	SHC	IP	TC	SHC	IP	TC	SHC	IP	TC	SHC	IP	TC	SHC	IP	TC	SHC	IP	TC	SHC	IP																																				
		kW									kW									kW									kW									kW									kW									kW																	
	0	0	8.27	6.62	1.56	9.22	6.67	1.59	9.53	7.24	1.60	10.16	7.27	1.61	10.47	7.85	1.62	11.10	7.82	1.64	11.42	7.81	1.64	11.73	8.33	1.65	12.09	8.06	2.35	12.42	8.60	2.36	12.77	8.62	2.37	13.11	8.62	2.38																																			
5	5	7.87	6.45	1.81	8.76	6.49	1.84	9.06	7.05	1.85	9.66	7.08	1.87	9.96	7.64	1.88	10.56	7.61	1.90	10.86	7.60	1.91	11.16	8.11	1.92	11.52	7.88	2.60	11.84	8.17	2.61	12.16	8.17	2.62	12.49	8.18	2.63																																				
10	10	7.99	6.50	2.03	8.90	6.54	2.07	9.20	7.11	2.08	9.81	7.13	2.10	10.11	7.70	2.11	10.72	7.67	2.13	11.02	7.66	2.14	11.32	8.17	2.15	11.69	8.06	2.83	12.01	8.17	2.84	12.33	8.17	2.85	12.66	8.18	2.86																																				
15	15	8.76	6.84	2.23	9.76	6.88	2.27	10.09	7.48	2.28	10.76	7.51	2.30	11.09	8.10	2.31	11.76	8.07	2.34	12.09	8.06	2.35	12.42	8.60	2.36	12.79	8.34	3.03	13.11	8.34	3.04	13.44	8.34	3.05	13.77	8.35	3.06																																				
20	20	8.62	6.77	2.08	9.60	6.82	2.11	9.93	7.41	2.12	10.58	7.44	2.14	10.91	8.03	2.15	11.56	8.00	2.18	11.89	7.99	2.19	12.22	8.52	2.20	12.60	8.26	2.89	12.92	8.26	2.90	13.24	8.26	2.91	13.57	8.27	2.92																																				
25	25	9.21	7.03	2.89	10.26	7.08	2.94	10.61	7.69	2.95	11.31	7.72	2.98	11.66	8.33	3.00	12.36	8.30	3.03	12.71	8.29	3.04	13.06	8.84	3.06	13.44	8.58	3.75	13.76	8.58	3.76	14.09	8.58	3.77	14.42	8.59	3.78																																				
30	30	8.59	6.76	3.12	9.57	6.81	3.17	9.90	7.40	3.18	10.55	7.43	3.22	10.88	8.02	3.23	11.53	7.99	3.26	11.86	7.97	3.28	12.18	8.50	3.30	12.57	8.24	4.03	12.89	8.24	4.04	13.21	8.24	4.05	13.54	8.25	4.06																																				
35	35	7.98	6.49	3.41	8.89	6.54	3.46	9.19	7.10	3.48	9.80	7.13	3.51	10.10	7.70	3.53	10.71	7.67	3.58	11.01	7.66	3.58	11.31	8.17	3.58	11.70	7.91	4.26	12.01	7.91	4.27	12.32	7.91	4.28	12.63	7.92	4.29																																				
40	40	6.42	5.52	3.16	7.15	5.56	3.20	7.40	6.04	3.22	7.89	6.06	3.25	8.13	6.55	3.27	8.62	6.52	3.30	8.86	6.51	3.32	9.11	6.95	3.34	9.50	6.69	4.00	9.81	6.69	4.01	10.12	6.69	4.02	10.43	6.70	4.03																																				
46	46	4.22	4.22	2.35	4.70	4.32	2.39	4.86	4.70	2.40	5.18	4.72	2.43	5.34	5.09	2.44	5.66	5.07	2.46	5.82	5.06	2.48	5.98	5.40	2.49	6.37	5.18	4.68	6.68	5.18	4.69	6.99	5.19	4.70	7.30	5.20	4.71																																				

☐ Indoor units: 7,000 Btu + 9,000 Btu + 9,000 Btu

		Indoor temperature																																																																							
°CDB		18									21									23									25									27									29									30									32								
°CWE		12									15									16									18									19									21									22									23								
Outdoor temperature	°CDB	TC	SHC	IP	TC	SHC	IP	TC	SHC	IP	TC	SHC	IP	TC	SHC	IP	TC	SHC	IP	TC	SHC	IP	TC	SHC	IP	TC	SHC	IP	TC	SHC	IP	TC	SHC	IP	TC	SHC	IP																																				
		kW									kW									kW									kW									kW									kW									kW																	
	0	0	5.82	4.75	1.19	6.49	4.78	1.21	6.71	5.20	1.22	7.15	5.22	1.23	7.37	5.63	1.24	7.81	5.61	1.25	8.03	5.60	1.25	8.25	5.97	1.26	8.52	5.71	1.94	8.84	5.71	1.95	9.16	5.71	1.96	9.48	5.72	1.97																																			
5	5	5.43	4.57	1.33	6.04	4.60	1.35	6.25	5.00	1.36	6.66	5.02	1.37	6.87	5.42	1.38	7.28	5.40	1.39	7.49	5.39	1.40	7.69	5.75	1.41	7.91	5.53	2.09	8.23	5.53	2.10	8.55	5.53	2.11	8.89	5.54	2.12																																				
10	10	5.48	4.60	1.55	6.10	4.62	1.57	6.31	5.03	1.58	6.73	5.05	1.60	6.93	5.45	1.62	7.35	5.43	1.62	7.56	5.42	1.63	7.77	5.78	1.64	8.00	5.62	2.32	8.32	5.62	2.33	8.67	5.62	2.34	9.02	5.63	2.35																																				
15	15	6.95	5.24	1.48	7.74	5.27	1.50	8.00	5.73	1.51	8.53	5.75	1.52	8.79	6.21	1.53	9.32	6.19	1.55	9.58	6.18	1.56	9.85	6.59	1.56	10.12	6.48	3.15	10.41	6.48	3.16	10.70	6.48	3.17	11.00	6.49	3.18																																				
20	20	7.41	5.45	1.77	8.25	5.48	1.80	8.53	5.96	1.81	9.09	5.98	1.83	9.38	6.46	1.84	9.94	6.43	1.86	10.22	6.42	1.87	10.50	6.85	1.88	10.79	6.64	2.54	11.08	6.64	2.55	11.37	6.64	2.56	11.66	6.65	2.57																																				
25	25	7.10	5.31	2.05	7.91	5.34	2.08	8.17	5.80	2.09	8.71	5.83	2.11	8.98	6.29	2.12	9.52	6.27	2.14	9.79	6.26	2.15	10.06	6.67	2.17	10.35	6.46	3.22	10.64	6.46	3.23	10.93	6.46	3.24	11.22	6.47	3.25																																				
30	30	6.57	5.07	2.23	7.32	5.10	2.27	7.57	5.54	2.28	8.07	5.56	2.30	8.31	6.01	2.31	8.81	5.99	2.34	9.06	5.97	2.35	9.31	6.37	2.36	9.56	6.16	3.31	9.85	6.16	3.32	10.19	6.16	3.33	10.52	6.17	3.34																																				
35	35	6.56	5.06	2.80	7.30	5.10	2.84	7.55	5.54	2.86	8.05	5.56	2.89	8.30	6.00	2.90	8.80	5.98	2.93	9.05	5.97	2.94	9.30	6.37	2.96	9.55	6.16	4.00	9.89	6.16	4.01	10.22	6.16	4.02	10.55	6.17	4.03																																				
40	40	5.93	4.58	3.16	6.61	4.61	3.20	6.83	5.01	3.22	7.28	5.03	3.25	7.51	5.43	3.27	7.96	5.41	3.30	8.19	5.40	3.32	8.41	5.76	3.34	8.64	5.55	4.00	8.97	5.55	4.01	9.30	5.55	4.02	9.63	5.56	4.03																																				
46	46	3.96	3.89	2.35	4.41	3.91	2.39	4.56	4.25	2.40	4.86	4.27	2.43	5.01	4.61	2.44	5.31	4.59	2.46	5.46	4.58	2.48	5.61	4.89	2.49	5.86	4.68	4.68	6.16	4.68	4.69	6.46	4.69	4.70	6.76	4.70	4.71																																				

☐ Indoor units: 7,000 Btu + 9,000 Btu + 12,000 Btu

		Indoor temperature																																																																							
°CDB		18									21									23									25									27									29									30									32								
°CWE		12									15									16									18									19									21									22									23								
Outdoor temperature	°CDB	TC	SHC	IP	TC	SHC	IP	TC	SHC	IP	TC	SHC	IP	TC	SHC	IP	TC	SHC	IP	TC	SHC	IP	TC	SHC	IP	TC	SHC	IP	TC	SHC	IP	TC	SHC	IP	TC	SHC	IP																																				
		kW									kW									kW									kW									kW									kW									kW																	
	0	0	6.97	5.35	1.68	7.76	5.38	1.70	8.02	5.85	1.71	8.55	5.87	1.73	8.82	6.34	1.74	9.35	6.31	1.76	9.61	6.30	1.76	9.87	6.72	1.77	10.14	6.51	2.45	10.41	6.51	2.46	10.68	6.51	2.47	10.95	6.52	2.48																																			
5	5	6.50	5.14	1.85	7.24	5.18	1.88	7.48	5.62	1.89	7.98	5.65	1.91	8.22	6.09	1.92	8.72	6.07	1.94	8.96	6.06	1.95	9.21	6.47	1.96	9.45	6.26	3.13	9.70	6.26	3.14	9.99	6.26	3.15	10.28	6.27	3.16																																				
10	10	6.60	5.19	1.49	7.35	5.22	1.51	7.60	5.67	1.52	8.10	5.69	1.53	8.35	6.15	1.54	8.85	6.12	1.56	9.10	6.11	1.56	9.35	6.52	1.57	9.60	6.31	2.23	9.89	6.31	2.24	10.18	6.31	2.25	10.56	6.32	2.26																																				
15	15	6.73	5.24	1.64	7.50	5.28	1.66	7.75	5.74	1.67	8.26	5.76	1.69	8.52	6.22	1.70	9.03	6.19	1.72	9.29	6.18	1.72	9.54	6.59	1.73	9.81	6.38	2.90	10.10	6.38	2.91	10.39	6.38	2.92	10.68	6.39	2.93																																				
20	20	7.22	5.46	1.90	8.04	5.50	1.93	8.32	5.97	1.94	8.87	5.99	1.96	9.14	6.47	1.97	9.69	6.45	1.99	9.96	6.44	2.00	10.24	6.87	2.01	10.54	6.66	3.59	10.84	6.66	3.60	11.14	6.66	3.61	11.44	6.67	3.62																																				
25	25	6.89	5.31	2.22	7.67	5.35	2.26	7.93	5.81	2.27	8.46	5.83	2.29	8.72	6.30	2.30	9.24	6.27	2.33	9.50	6.26	2.34	9.76	6.68	2.35	10.02	6.47	4.17	10.28	6.47	4.18	10.54	6.47	4.19	10.80	6.48	4.20																																				
30	30	6.38	5.09	2.42	7.11	5.12	2.45	7.35	5.57	2.47	7.84	5.59	2.49	8.08	6.03	2.50	8.56	6.01	2.53	8.80	6.00	2.54	9.05	6.40	2.55	9.31	6.19	4.83	9.60	6.19	4.84	9.89	6.19	4.85	10.17	6.20	4.86																																				
35	35	7.03	5.38	3.29	7.83	5.41	3.34	8.10	5.88	3.36	8.63	5.90	3.39	8.90	6.37	3.41	9.43	6.35	3.44	9.70	6.34	3.46	9.97	6.76	3.48	10.25	6.55	5.00	10.53	6.55	5.01	10.80	6.55	5.02	11.07	6.56	5.03																																				
40	40	6.05	4.80	3.16	6.73	4.83	3.20	6.96	5.25	3.22	7.42	5.27	3.25	7.65	5.69	3.27	8.11	5.67	3.30	8.34	5.66	3.32	8.57	6.04	3.34	8.85	5.84	4.67	9.11	5.84	4.68	9.38	5.84	4.69	9.61	5.85	4.70																																				
46	46	4.02	3.98	2.35	4.48	4.01	2.39	4.63	4.36	2.40	4.94	4.37	2.43	5.09	4.72	2.44	5.39	4.70	2.46	5.55	4.69	2.48	5.70	5.01	2.49	5.96	4.88	5.31	5.16	4.88	5.41	4.88	5.42	5.66	4.89	5.67	4.90	5.68																																			

☐ Indoor units: 7,000 Btu + 9,000 Btu + 14,000 Btu

**Indoor units: 7,000 Btu + 9,000 Btu + 18,000 Btu**

		Indoor temperature																																															
		18						21						23						25						27						29						30						32					
		12						15						16						18						19						21						22						23					
Outdoor temperature	°CDB	TC	SHC	IP	TC	SHC	IP	TC	SHC	IP	TC	SHC	IP	TC	SHC	IP	TC	SHC	IP	TC	SHC	IP	TC	SHC	IP	TC	SHC	IP	TC	SHC	IP	TC	SHC	IP	TC	SHC	IP												
	°CWB	kW						kW						kW						kW						kW						kW						kW											
	°CDB	kW						kW						kW						kW						kW						kW						kW											
0	7.85	6.29	1.39	8.74	6.33	1.41	9.04	6.88	1.42	9.63	6.90	1.43	9.93	7.45	1.44	10.53	7.43	1.45	10.83	7.41	1.46	11.12	7.91	1.47																									
5	7.38	6.08	1.73	8.22	6.12	1.76	8.50	6.65	1.77	9.06	6.68	1.78	9.34	7.21	1.79	9.91	7.18	1.81	10.19	7.17	1.82	10.47	7.65	1.83																									
10	7.52	6.15	1.82	8.38	6.18	1.85	8.66	6.72	1.86	9.24	6.75	1.88	9.52	7.28	1.89	10.09	7.26	1.91	10.38	7.24	1.92	10.66	7.73	1.93																									
15	8.06	6.38	2.00	8.98	6.43	2.03	9.29	6.98	2.04	9.90	7.01	2.06	10.21	7.57	2.07	10.82	7.54	2.09	11.12	7.53	2.11	11.43	8.03	2.12																									
20	8.44	6.55	2.09	9.40	6.59	2.12	9.72	7.16	2.13	10.36	7.19	2.16	10.68	7.76	2.17	11.32	7.74	2.19	11.64	7.72	2.20	11.96	8.24	2.21																									
25	8.76	6.69	2.76	9.75	6.73	2.80	10.09	7.32	2.81	10.75	7.35	2.84	11.08	7.93	2.86	11.75	7.90	2.88	12.08	7.89	2.90	12.41	8.41	2.91																									
30	8.14	6.42	2.98	9.07	6.46	3.03	9.38	7.02	3.04	10.00	7.05	3.07	10.31	7.61	3.09	10.93	7.58	3.12	11.23	7.57	3.13	11.54	8.07	3.15																									
35	7.82	6.28	3.44	8.71	6.32	3.49	9.01	6.87	3.51	9.60	6.89	3.54	9.90	7.44	3.56	10.49	7.41	3.58	10.79	7.40	3.58	11.09	7.89	3.58																									
40	6.27	5.23	3.16	6.99	5.27	3.20	7.22	5.72	3.22	7.70	5.75	3.25	7.94	6.20	3.27	8.42	6.18	3.30	8.65	6.17	3.32	8.89	6.58	3.34																									
46	4.14	4.14	2.35	4.61	4.20	2.39	4.77	4.56	2.40	5.08	4.58	2.43	5.24	4.94	2.44	5.56	4.93	2.46	5.71	4.92	2.48	5.87	5.24	2.49																									

**Indoor units: 7,000 Btu + 9,000 Btu + 24,000 Btu**

		Indoor temperature																																															
		18						21						23						25						27						29						30						32					
		12						15						16						18						19						21						22						23					
Outdoor temperature	°CDB	TC	SHC	IP	TC	SHC	IP	TC	SHC	IP	TC	SHC	IP	TC	SHC	IP	TC	SHC	IP	TC	SHC	IP	TC	SHC	IP	TC	SHC	IP	TC	SHC	IP	TC	SHC	IP	TC	SHC	IP												
	°CWB	kW						kW						kW						kW						kW						kW						kW											
	°CDB	kW						kW						kW						kW						kW						kW						kW											
0	8.31	6.80	1.62	9.26	6.85	1.65	9.57	7.44	1.66	10.20	7.47	1.67	10.52	8.06	1.68	11.15	8.03	1.70	11.46	8.02	1.71	11.78	8.55	1.72																									
5	7.96	6.65	1.82	8.86	6.69	1.85	9.17	7.27	1.86	9.77	7.30	1.88	10.07	7.88	1.89	10.68	7.85	1.91	10.98	7.84	1.92	11.28	8.36	1.92																									
10	8.05	6.69	1.88	8.96	6.73	1.91	9.27	7.32	1.92	9.88	7.34	1.94	10.19	7.93	1.95	10.80	7.90	1.97	11.10	7.88	1.98	11.41	8.41	1.99																									
15	8.71	6.95	2.28	9.70	6.99	2.31	10.03	7.60	2.33	10.69	7.63	2.35	11.02	8.23	2.36	11.69	8.20	2.38	12.02	8.19	2.40	12.35	8.74	2.41																									
20	8.63	6.91	2.08	9.61	6.96	2.11	9.94	7.56	2.12	10.59	7.59	2.15	10.92	8.19	2.16	11.57	8.16	2.18	11.90	8.15	2.19	12.23	8.69	2.20																									
25	9.17	7.15	2.92	10.21	7.20	2.97	10.56	7.82	2.98	11.26	7.85	3.01	11.61	8.47	3.03	12.30	8.44	3.06	12.65	8.43	3.07	13.00	8.99	3.09																									
30	8.58	6.89	3.14	9.55	6.93	3.19	9.88	7.53	3.21	10.53	7.56	3.24	10.85	8.16	3.26	11.51	8.14	3.29	11.83	8.12	3.30	12.16	8.66	3.32																									
35	7.98	6.63	3.41	8.89	6.67	3.46	9.19	7.25	3.48	9.80	7.28	3.51	10.10	7.85	3.53	10.71	7.83	3.58	11.01	7.81	3.58	11.31	8.33	3.58																									
40	6.50	5.67	3.16	7.24	5.70	3.20	7.49	6.20	3.22	7.98	6.22	3.25	8.23	6.72	3.27	8.72	6.69	3.30	8.97	6.68	3.32	9.21	7.13	3.34																									
46	4.26	4.26	2.35	4.75	4.39	2.39	4.91	4.77	2.40	5.23	4.79	2.43	5.39	5.17	2.44	5.72	5.15	2.46	5.88	5.14	2.48	6.04	5.48	2.49																									

**Indoor units: 7,000 Btu + 12,000 Btu + 12,000 Btu**

		Indoor temperature																																															
		18						21						23						25						27						29						30						32					
		12						15						16						18						19						21						22						23					
Outdoor temperature	°CDB	TC	SHC	IP	TC	SHC	IP	TC	SHC	IP	TC	SHC	IP	TC	SHC	IP	TC	SHC	IP	TC	SHC	IP	TC	SHC	IP	TC	SHC	IP	TC	SHC	IP	TC	SHC	IP	TC	SHC	IP												
	°CWB	kW						kW						kW						kW						kW						kW						kW											
	°CDB	kW						kW						kW						kW						kW						kW						kW											
0	6.84	5.48	1.77	7.62	5.51	1.80	7.88	5.99	1.80	8.39	6.01	1.82	8.65	6.49	1.83	9.17	6.47	1.85	9.43	6.45	1.86	9.69	6.88	1.87																									
5	6.40	5.28	1.93	7.13	5.32	1.96	7.37	5.78	1.97	7.86	5.80	1.99	8.10	6.26	2.00	8.58	6.24	2.02	8.83	6.23	2.03	9.07	6.64	2.04																									
10	6.52	5.33	1.60	7.26	5.37	1.62	7.50	5.83	1.63	8.00	5.86	1.65	8.25	6.32	1.66	8.74	6.30	1.67	8.99	6.29	1.68	9.24	6.71	1.69																									
15	7.12	5.60	1.84	7.93	5.64	1.86	8.20	6.13	1.87	8.74	6.15	1.89	9.01	6.64	1.90	9.56	6.61	1.92	9.83	6.60	1.93	10.10	7.04	1.94																									
20	7.75	5.88	2.08	8.63	5.92	2.11	8.93	6.43	2.12	9.52	6.45	2.14	9.81	6.97	2.15	10.40	6.94	2.17	10.70	6.93	2.18	10.99	7.39	2.19																									
25	7.36	5.70	2.46	8.19	5.74	2.49	8.47	6.24	2.51	9.03	6.26	2.53	9.31	6.76	2.55	9.87	6.74	2.57	10.15	6.72	2.58	10.43	7.17	2.60																									
30	6.83	5.47	2.66	7.60	5.51	2.70	7.86	5.98	2.72	8.38	6.01	2.75	8.64	6.48	2.76	9.16	6.46	2.79	9.42	6.45	2.80	9.68	6.88	2.81																									
35	7.19	5.63	3.42	8.01	5.67	3.47	8.28	6.16	3.49	8.83	6.18	3.52	9.10	6.67	3.54	9.65	6.65	3.58	9.92	6.64	3.58	10.19	7.08	3.58																									
40	6.16	5.02	3.16	6.86	5.05	3.20	7.09	5.49	3.22	7.56	5.51	3.25	7.80	5.95	3.27	8.26	5.92	3.30																															

**☐ Indoor units: 7,000 Btu + 12,000 Btu + 18,000 Btu**

		Indoor temperature																																															
		18						21						23						25						27						29						30						32					
		12						15						16						18						19						21						22						23					
Outdoor temperature	°CDB	TC	SHC	IP	TC	SHC	IP	TC	SHC	IP	TC	SHC	IP	TC	SHC	IP	TC	SHC	IP	TC	SHC	IP	TC	SHC	IP	TC	SHC	IP	TC	SHC	IP	TC	SHC	IP															
	kW						kW						kW						kW						kW						kW						kW												
0	8.14	6.48	1.55	9.06	6.52	1.57	9.37	7.08	1.58	9.99	7.11	1.59	10.30	7.68	1.60	10.92	7.65	1.62	11.23	7.63	1.63	11.53	8.14	1.63																									
5	7.71	6.29	1.83	8.59	6.33	1.85	8.89	6.88	1.86	9.47	6.91	1.88	9.76	7.46	1.89	10.35	7.43	1.91	10.64	7.42	1.92	10.94	7.91	1.93																									
10	7.84	6.35	2.02	8.73	6.39	2.05	9.03	6.94	2.06	9.63	6.97	2.08	9.93	7.52	2.09	10.52	7.50	2.11	10.82	7.48	2.12	11.12	7.98	2.13																									
15	8.61	6.68	2.23	9.59	6.73	2.26	9.92	7.31	2.27	10.57	7.34	2.30	10.90	7.92	2.31	11.56	7.89	2.33	11.88	7.88	2.34	12.21	8.41	2.35																									
20	8.45	6.61	2.10	9.41	6.65	2.13	9.73	7.23	2.14	10.37	7.26	2.16	10.69	7.84	2.17	11.33	7.81	2.19	11.65	7.79	2.20	11.97	8.31	2.21																									
25	9.04	6.87	2.90	10.08	6.92	2.95	10.42	7.52	2.96	11.11	7.55	2.99	11.45	8.15	3.01	12.14	8.12	3.04	12.48	8.10	3.05	12.82	8.64	3.07																									
30	8.43	6.61	3.13	9.39	6.65	3.18	9.71	7.22	3.20	10.35	7.25	3.23	10.67	7.83	3.25	11.31	7.80	3.28	11.63	7.79	3.30	11.95	8.31	3.31																									
35	7.82	6.34	3.44	8.71	6.38	3.49	9.01	6.93	3.51	9.60	6.96	3.54	9.90	7.51	3.56	10.49	7.48	3.58	10.79	7.47	3.58	11.09	7.97	3.58																									
40	6.39	5.45	3.16	7.11	5.49	3.20	7.36	5.96	3.22	7.84	5.99	3.25	8.08	6.46	3.27	8.57	6.44	3.30	8.81	6.43	3.32	9.05	6.85	3.34																									
46	4.20	4.20	2.35	4.68	4.29	2.39	4.84	4.66	2.40	5.16	4.68	2.43	5.32	5.06	2.44	5.64	5.04	2.46	5.80	5.03	2.48	5.96	5.36	2.49																									

**☐ Indoor units: 7,000 Btu + 12,000 Btu + 24,000 Btu**

		Indoor temperature																																															
		18						21						23						25						27						29						30						32					
		12						15						16						18						19						21						22						23					
Outdoor temperature	°CDB	TC	SHC	IP	TC	SHC	IP	TC	SHC	IP	TC	SHC	IP	TC	SHC	IP	TC	SHC	IP	TC	SHC	IP	TC	SHC	IP	TC	SHC	IP	TC	SHC	IP																		
	kW						kW						kW						kW						kW						kW						kW												
0	8.80	7.05	1.86	9.80	7.09	1.89	10.14	7.71	1.90	10.81	7.74	1.92	11.14	8.35	1.93	11.81	8.32	1.95	12.14	8.30	1.96	12.48	8.86	1.97																									
5	8.53	6.93	1.99	9.50	6.97	2.02	9.83	7.58	2.03	10.47	7.61	2.05	10.80	8.21	2.06	11.45	8.18	2.08	11.77	8.17	2.09	12.09	8.71	2.10																									
10	8.56	6.94	2.05	9.54	6.99	2.08	9.86	7.59	2.09	10.51	7.62	2.11	10.84	8.23	2.12	11.49	8.20	2.14	11.81	8.18	2.15	12.14	8.73	2.16																									
15	8.63	6.97	1.82	9.61	7.02	1.85	9.94	7.62	1.86	10.59	7.65	1.87	10.92	8.26	1.88	11.58	8.23	1.90	11.90	8.22	1.91	12.23	8.76	1.92																									
20	8.64	6.98	2.10	9.62	7.02	2.14	9.95	7.63	2.15	10.61	7.66	2.17	10.93	8.27	2.18	11.59	8.24	2.20	11.92	8.22	2.21	12.25	8.77	2.22																									
25	9.11	7.18	2.99	10.15	7.23	3.03	10.49	7.85	3.05	11.18	7.88	3.08	11.53	8.51	3.09	12.22	8.48	3.12	12.57	8.46	3.14	12.91	9.03	3.16																									
30	8.55	6.94	3.20	9.52	6.98	3.25	9.85	7.59	3.27	10.50	7.62	3.30	10.82	8.22	3.32	11.47	8.19	3.35	11.79	8.18	3.37	12.12	8.72	3.39																									
35	7.98	6.69	3.44	8.89	6.73	3.49	9.19	7.32	3.51	9.80	7.34	3.54	10.10	7.93	3.56	10.71	7.90	3.58	11.01	7.88	3.58	11.31	8.41	3.58																									
40	6.61	5.89	3.16	7.36	5.92	3.20	7.62	6.44	3.22	8.12	6.46	3.25	8.37	6.97	3.27	8.87	6.95	3.30	9.12	6.94	3.32	9.37	7.40	3.34																									
46	4.32	4.32	2.35	4.81	4.48	2.39	4.98	4.87	2.40	5.31	4.89	2.43	5.47	5.28	2.44	5.80	5.26	2.46	5.96	5.25	2.48	6.13	5.60	2.49																									

**☐ Indoor units: 7,000 Btu + 14,000 Btu + 14,000 Btu**

		Indoor temperature																																															
		18						21						23						25						27						29						30						32					
		12						15						16						18						19						21						22						23					
Outdoor temperature	°CDB	TC	SHC	IP	TC	SHC	IP	TC	SHC	IP	TC	SHC	IP	TC	SHC	IP	TC	SHC	IP	TC	SHC	IP	TC	SHC	IP	TC	SHC	IP	TC	SHC	IP																		
	kW						kW						kW						kW						kW						kW						kW												
0	7.34	5.88	1.43	8.18	5.92	1.45	8.46	6.43	1.45	9.02	6.46	1.47	9.29	6.97	1.48	9.85	6.94	1.49	10.13	6.93	1.50	10.41	7.39	1.51																									
5	6.92	5.70	1.74	7.71	5.73	1.77	7.98	6.23	1.78	8.50	6.25	1.80	8.76	6.75	1.81	9.29	6.73	1.83	9.55	6.71	1.83	9.82	7.16	1.84																									
10	7.05	5.75	1.87	7.85	5.79	1.89	8.12	6.29	1.90	8.66	6.32	1.92	8.93	6.82	1.93	9.46	6.79	1.95	9.73	6.78	1.96	10.00	7.23	1.97																									
15	7.55	5.97	2.03	8.41	6.01	2.07	8.70	6.53	2.08	9.27	6.56	2.10	9.56	7.08	2.11	10.14	7.05	2.13	10.42	7.04	2.14	10.71	7.51	2.15																									
20	7.93	6.14	2.10	8.83	6.18	2.14	9.13	6.71	2.15	9.74	6.74	2.17	10.04	7.27	2.18	10.64	7.25	2.20	10.94	7.23	2.21	11.24	7.72	2.22																									
25	8.21	6.26	2.78	9.15	6.30	2.83	9.46	6.85	2.84	10.08	6.87	2.87	10.39	7.42	2.89	11.02	7.39	2.91	11.33	7.38	2.93	11.64	7.87	2.94																									
30	7.64	6.01	3.01	8.51	6.05	3.06	8.80	6.57	3.07	9.38	6.60	3.10	9.67	7.12	3.12	10.25	7.10	3.15	10.54	7.09	3.16	10.83	7.56	3.18																									
35	7.35	5.88	3.45	8.18	5.92	3.51	8.46	6.43	3.53	9.02	6.46	3.58	9.30	6.97	3.58	9.86	6.95	3.58	10.14	6.93	3.58	10.42	7.40	3.58																									
40	6.31	5.31	3.16	7.03	5.34	3.20	7.27	5.80	3.22	7.75	5.83	3.25	7.99	6.29	3.27	8.47	6.27	3.30	8.71	6.26	3.32	8.95	6.67	3.34																									
46	4.16	4.16	2.35	4.64	4.23	2.39	4.79	4.60	2.40	5.11	4.61	2.43	5.27	4.98	2.44	5.58	4.96	2.46	5.74	4.95	2.48	5.90	5.28	2.49																									

**☐ Indoor units: 7,000 Btu + 14,000 Btu + 18,000 Btu**

		Indoor temperature																																															
		18						21						23						25						27						29						30						32					
		12						15						16						18						19						21						22						23					
Outdoor temperature	°CDB	TC	SHC	IP	TC	SHC	IP	TC	SHC	IP	TC	SHC	IP	TC	SHC	IP	TC	SHC	IP	TC	SHC	IP	TC	SHC	IP	TC	SHC	IP	TC	SHC	IP																		
	kW						kW						kW						kW						kW						kW						kW												
0	8.17	6.60	1.62	9.10	6.64	1.64	9.41	7.22	1.65	10.03	7.25	1.67	10.34	7.82	1.67	10.96	7.80	1.69	11.27	7.78	1.70	11.58	8.30	1.71																									
5	7.79	6.44	1.84	8.68	6.48	1.87	8.98	7.04	1.88	9.57	7.07	1.90	9.86	7.63	1.91	10.46	7.60	1.93	10.75	7.59	1.94	11.05	8.10	1.95																									
10	7.90	6.48	1.91	8.80	6.53	1.94	9.10	7.09	1.95	9.70	7.12	1.97	10.00	7.68	1.98	10.60	7.66	2.00	10.90	7.64	2.01	11.20	8.15	2.01																									
15	8.65	6.81	2.29	9.63	6.86	2.32	9.96	7.45	2.33	10.62	7.48	2.36	10.95	8.07	2.37	11.61	8.04	2.39	11.93	8.03	2.41	12.26	8.57	2.42																									
20	8.54	6.76	2.11	9.51	6.81	2.14	9.83	7.40	2.15	10.48	7.43	2.18	10.81	8.02	2.19	11.45	7.99	2.21	11.78	7.97	2.22	12.10	8.50	2.23																									
25	9.10	7.01	2.95	10.14	7.05	2.99	10.48	7.67	3.01	11.17	7.70	3.04	11.52	8.31	3.05	12.21	8.28	3.09	12.55	8.26	3.10	12.90	8.81	3.12																									
30	8.50	6.75	3.17	9.47	6.79	3.22	9.79	7.38	3.24	10.44	7.41	3.27	10.76	8.00	3.29	11.40	7.97	3.32	11.73	7.95	3.34	12.05	8.48	3.36																									
35	7.90	6.49	3.45	8.80	6.53	3.51	9.10	7.09	3.53	9.70	7.12	3.58	10.00	7.69	3.58	10.60	7.66	3.58	10.90	7.64	3.58	11.20	8.15	3.58																									
40	6.46	5.60	3.16	7.20	5.63	3.20	7.44	6.12	3.22	7.93	6.14	3.25	8.18	6.63	3.27	8.67	6.61	3.30	8.91	6.60	3.32	9.16	7.04	3.34																									
46	4.24	4.24	2.35	4.72	4.36	2.39	4.89	4.73	2.40	5.21	4.75	2.43	5.37	5.13	2.44	5.69	5.11	2.46	5.85	5.10	2.48	6.01	5.44	2.49																									



# □ Indoor units: 7,000 Btu + 14,000 Btu + 24,000 Btu

		Indoor temperature																									
°CDB		18			21			23			25			27			29			30			32				
°CWE		12			15			16			18			19			21			22			23				
Outdoor temperature	°CDB	TC	SHC	IP	TC	SHC	IP	TC	SHC	IP	TC	SHC	IP	TC	SHC	IP	TC	SHC	IP	TC	SHC	IP	TC	SHC	IP		
	kW			kW			kW			kW			kW			kW			kW			kW			kW		
	0	8.77	7.18	1.94	9.77	7.23	1.97	10.10	7.85	1.98	10.77	7.88	2.00	11.10	8.51	2.01	11.77	8.48	2.03	12.10	8.46	2.04	12.44	9.03	2.05		
	5	8.58	7.10	2.01	9.56	7.14	2.04	9.89	7.76	2.05	10.54	7.79	2.07	10.87	8.41	2.08	11.52	8.38	2.10	11.84	8.37	2.11	12.17	8.92	2.12		
10	8.56	7.09	2.06	9.53	7.13	2.09	9.86	7.75	2.10	10.51	7.78	2.12	10.83	8.40	2.13	11.48	8.37	2.16	11.81	8.35	2.17	12.13	8.91	2.18			
15	8.57	7.09	1.83	9.55	7.14	1.86	9.87	7.76	1.87	10.52	7.79	1.88	10.85	8.40	1.89	11.50	8.37	1.91	11.82	8.36	1.92	12.15	8.92	1.93			
20	8.65	7.13	2.12	9.63	7.17	2.15	9.96	7.79	2.16	10.62	7.82	2.18	10.95	8.44	2.19	11.60	8.41	2.22	11.93	8.40	2.23	12.26	8.96	2.24			
25	9.06	7.31	3.03	10.10	7.35	3.08	10.44	7.99	3.09	11.13	8.02	3.12	11.47	8.66	3.14	12.16	8.63	3.17	12.51	8.61	3.19	12.85	9.19	3.20			
30	8.53	7.07	3.25	9.50	7.12	3.30	9.83	7.74	3.31	10.47	7.77	3.35	10.80	8.38	3.36	11.45	8.35	3.40	11.77	8.34	3.42	12.09	8.90	3.43			
35	7.98	6.83	3.45	8.89	6.88	3.51	9.19	7.47	3.53	9.80	7.50	3.58	10.10	8.10	3.58	10.71	8.07	3.58	11.01	8.06	3.58	11.31	8.59	3.58			
40	6.69	6.03	3.16	7.45	6.07	3.20	7.70	6.59	3.22	8.21	6.62	3.25	8.46	7.15	3.27	8.97	7.12	3.30	9.23	7.11	3.32	9.48	7.58	3.34			
46	4.36	4.36	2.35	4.86	4.55	2.39	5.03	4.94	2.40	5.36	4.96	2.43	5.52	5.35	2.44	5.85	5.33	2.46	6.02	5.32	2.48	6.18	5.68	2.49			

# □ Indoor units: 7,000 Btu + 18,000 Btu + 18,000 Btu

		Indoor temperature																									
°CDB		18			21			23			25			27			29			30			32				
°CWE		12			15			16			18			19			21			22			23				
Outdoor temperature	°CDB	TC	SHC	IP	TC	SHC	IP	TC	SHC	IP	TC	SHC	IP	TC	SHC	IP	TC	SHC	IP	TC	SHC	IP	TC	SHC	IP		
	kW			kW			kW			kW			kW			kW			kW			kW			kW		
	0	8.80	7.09	1.87	9.80	7.14	1.90	10.14	7.76	1.91	10.81	7.79	1.93	11.14	8.41	1.94	11.81	8.38	1.96	12.14	8.36	1.97	12.48	8.92	1.98		
	5	8.53	6.97	2.00	9.50	7.02	2.03	9.83	7.63	2.04	10.47	7.66	2.06	10.80	8.27	2.07	11.45	8.24	2.09	11.77	8.22	2.10	12.09	8.77	2.11		
10	8.56	6.99	2.06	9.54	7.03	2.09	9.86	7.64	2.10	10.51	7.67	2.12	10.84	8.28	2.13	11.49	8.25	2.15	11.81	8.24	2.16	12.14	8.79	2.18			
15	8.63	7.02	1.83	9.61	7.06	1.86	9.94	7.67	1.87	10.59	7.70	1.89	10.92	8.32	1.89	11.58	8.29	1.91	11.90	8.27	1.92	12.23	8.82	1.93			
20	8.64	7.02	2.11	9.62	7.07	2.15	9.95	7.68	2.16	10.61	7.71	2.18	10.93	8.32	2.19	11.59	8.29	2.21	11.92	8.28	2.22	12.25	8.83	2.24			
25	9.11	7.23	3.00	10.15	7.27	3.05	10.49	7.90	3.06	11.18	7.93	3.10	11.53	8.56	3.11	12.22	8.53	3.14	12.57	8.52	3.16	12.91	9.09	3.17			
30	8.55	6.98	3.22	9.52	7.03	3.27	9.85	7.64	3.29	10.50	7.67	3.32	10.82	8.27	3.34	11.47	8.25	3.37	11.79	8.23	3.39	12.12	8.78	3.41			
35	7.98	6.73	3.45	8.89	6.78	3.51	9.19	7.36	3.53	9.80	7.39	3.58	10.10	7.98	3.58	10.71	7.95	3.58	11.01	7.94	3.58	11.31	8.47	3.58			
40	6.61	5.89	3.16	7.36	5.92	3.20	7.62	6.44	3.22	8.12	6.46	3.25	8.37	6.97	3.27	8.87	6.95	3.30	9.12	6.94	3.32	9.37	7.40	3.34			
46	4.32	4.32	2.35	4.81	4.48	2.39	4.98	4.87	2.40	5.31	4.89	2.43	5.47	5.28	2.44	5.80	5.26	2.46	5.96	5.25	2.48	6.13	5.60	2.49			

# □ Indoor units: 7,000 Btu + 18,000 Btu + 24,000 Btu

		Indoor temperature																									
°CDB		18			21			23			25			27			29			30			32				
°CWE		12			15			16			18			19			21			22			23				
Outdoor temperature	°CDB	TC	SHC	IP	TC	SHC	IP	TC	SHC	IP	TC	SHC	IP	TC	SHC	IP	TC	SHC	IP	TC	SHC	IP	TC	SHC	IP		
	kW			kW			kW			kW			kW			kW			kW			kW			kW		
	0	8.74	7.38	2.07	9.74	7.43	2.10	10.07	8.08	2.11	10.74	8.11	2.13	11.07	8.75	2.15	11.73	8.72	2.17	12.06	8.70	2.18	12.40	9.29	2.19		
	5	8.74	7.38	2.02	9.73	7.43	2.06	10.07	8.07	2.07	10.73	8.11	2.09	11.06	8.75	2.10	11.73	8.72	2.12	12.06	8.70	2.13	12.39	9.28	2.14		
10	8.57	7.31	2.07	9.55	7.36	2.10	9.87	7.99	2.11	10.52	8.02	2.13	10.85	8.66	2.14	11.50	8.63	2.16	11.82	8.61	2.17	12.15	9.19	2.18			
15	8.45	7.25	1.82	9.41	7.30	1.85	9.73	7.93	1.86	10.37	7.97	1.88	10.69	8.60	1.89	11.33	8.57	1.91	11.65	8.55	1.92	11.97	9.12	1.93			
20	8.67	7.35	2.12	9.66	7.40	2.16	9.99	8.04	2.17	10.65	8.07	2.19	10.97	8.71	2.20	11.63	8.68	2.22	11.96	8.67	2.23	12.29	9.25	2.24			
25	8.97	7.49	3.08	9.99	7.53	3.13	10.34	8.19	3.15	11.02	8.22	3.18	11.36	8.87	3.20	12.04	8.84	3.23	12.38	8.82	3.24	12.72	9.41	3.26			
30	8.50	7.28	3.30	9.46	7.32	3.35	9.79	7.96	3.36	10.43	7.99	3.40	10.75	8.62	3.41	11.40	8.59	3.45	11.72	8.58	3.47	12.04	9.15	3.48			
35	7.98	7.05	3.45	8.89	7.10	3.51	9.19	7.71	3.53	9.80	7.74	3.58	10.10	8.36	3.58	10.71	8.33	3.58	11.01	8.31	3.58	11.31	8.87	3.58			
40	6.84	6.32	3.16	7.62	6.36	3.20	7.88	6.91	3.22	8.40	6.94	3.25	8.66	7.49	3.27	9.17	7.46	3.30	9.43	7.45	3.32	9.69	7.95	3.34			
46	4.44	4.44	2.35	4.95	4.67	2.39	5.12	5.08	2.40	5.46	5.10	2.43	5.62	5.50	2.44	5.96	5.48	2.46	6.13	5.47	2.48	6.30	5.84	2.49			

# □ Indoor units: 9,000 Btu + 9,000 Btu + 9,000 Btu

		Indoor temperature																									
°CDB		18			21			23			25			27			29			30			32				
°CWE		12			15			16			18			19			21			22			23				
Outdoor temperature	°CDB	TC	SHC	IP	TC	SHC	IP	TC	SHC	IP	TC	SHC	IP	TC	SHC	IP	TC	SHC	IP	TC	SHC	IP	TC	SHC	IP		
	kW			kW			kW			kW			kW			kW			kW			kW			kW		
	0	5.55	4.75	1.32	6.19	4.78	1.34	6.40	5.19	1.34	6.82	5.21	1.36	7.03	5.63	1.36	7.45	5.61	1.38	7.66	5.60	1.38	7.87	5.97	1.39		
	5	5.18	4.58	1.46	5.77	4.61	1.48	5.97	5.01	1.49	6.36	5.03	1.50	6.56	5.43	1.51	6.95	5.41	1.53	7.15	5.40	1.53	7.34	5.76	1.54		
10	5.25	4.61	1.16	5.85	4.64	1.18	6.05	5.04	1.18	6.44	5.06	1.19	6.64	5.47	1.20	7.04	5.45	1.21	7.24	5.44	1.22	7.44	5.80	1.22			
15	6.74	5.28	1.62	7.51	5.31	1.65	7.77	5.77	1.66	8.28	5.79	1.67	8.54	6.25	1.68	9.05	6.23	1.70	9.31	6.22	1.71	9.56	6.64	1.72			
20	7.22	5.49	1.91	8.04	5.52	1.94	8.32	6.00	1.94	8.87	6.03	1.96	9.14	6.51	1.97	9.69	6.48	1.99	9.96	6.47	2.00	10.24	6.90	2.01			
25	6.90	5.35	2.22	7.68	5.38	2.25	7.95	5.85	2.26	8.47	5.87	2.29	8.73	6.34	2.30	9.26	6.31	2.32	9.52	6.30	2.33	9.78	7.72	2.34			
30	6.39	5.12	2.41	7.12	5.15	2.45	7.36	5.60	2.46	7.84	5.62	2.49	8.09	6.07	2.50	8.57	6.05	2.53	8.81	6.03	2.54	9.06	6.44	2.55			
35	7.03	5.41	3.30	7.83	5.44	3.35	8.10	5.91	3.37	8.63	5.93	3.40	8.90	6.41	3.42	9.43	6.38	3.45	9.70	6.37	3.47	9.97	6.80	3.49			
40	6.01	4.73	3.16	6.69	4.76	3.20	6.92	5.17	3.22	7.38	5.19	3.25	7.61	5.60	3.27	8.06	5.58	3.30	8.29	5.57	3.32	8.52	5.95	3.34			
46	4.00	3.95	2.35	4.46	3.98	2.39	4.61	4.32	2.40	4.91	4.34	2.43	5.06	4.68	2.44	5.37	4.67	2.46	5.52	4.66	2.48	5.67	4.97	2.49			

Indoor units: 9,000 Btu + 9,000 Btu + 12,000 Btu

		Indoor temperature																										
°CDB		18			21			23			25			27			29			30			32					
°CWE		12			15			16			18			19			21			22			23					
Outdoor temperature	°CDB	TC	SHC	IP	TC	SHC	IP	TC	SHC	IP	TC	SHC	IP	TC	SHC	IP	TC	SHC	IP	TC	SHC	IP	TC	SHC	IP	TC	SHC	IP
		kW			kW			kW			kW			kW			kW			kW			kW					
	0	5	10	15	20	25	30	35	40	46																		
	0	6.87	5.46	1.74	7.65	5.50	1.77	7.91	5.97	1.78	8.44	6.00	1.80	8.70	6.47	1.81	9.22	6.45	1.83	9.48	6.44	1.83	9.74	6.87	1.84			
	5	6.42	5.26	1.91	7.15	5.30	1.94	7.40	5.76	1.95	7.88	5.78	1.97	8.13	6.24	1.98	8.61	6.21	2.00	8.86	6.20	2.01	9.10	6.62	2.02			
	10	6.53	5.31	1.57	7.28	5.35	1.59	7.53	5.81	1.60	8.02	5.83	1.62	8.27	6.30	1.62	8.77	6.27	1.64	9.01	6.26	1.65	9.26	6.68	1.66			
	15	7.14	5.58	1.81	7.95	5.62	1.84	8.22	6.10	1.85	8.76	6.13	1.87	9.04	6.61	1.88	9.58	6.59	1.90	9.85	6.58	1.91	10.12	7.02	1.92			
	20	7.75	5.85	2.07	8.63	5.89	2.11	8.93	6.40	2.12	9.52	6.42	2.14	9.81	6.93	2.15	10.40	6.91	2.17	10.69	6.90	2.18	10.99	7.36	2.19			
	25	7.37	5.68	2.44	8.21	5.72	2.48	8.49	6.21	2.50	9.05	6.24	2.52	9.33	6.73	2.53	9.89	6.71	2.56	10.17	6.70	2.57	10.45	7.14	2.58			
	30	6.83	5.45	2.65	7.61	5.48	2.69	7.87	5.96	2.71	8.39	5.98	2.74	8.65	6.45	2.75	9.17	6.43	2.78	9.43	6.42	2.79	9.69	6.85	2.80			
	35	7.19	5.60	3.42	8.01	5.64	3.47	8.28	6.13	3.49	8.83	6.15	3.52	9.10	6.64	3.54	9.65	6.62	3.58	9.92	6.60	3.58	10.19	7.04	3.58			
	40	6.12	4.95	3.16	6.82	4.98	3.20	7.05	5.41	3.22	7.52	5.43	3.25	7.75	5.86	3.27	8.21	5.84	3.30	8.45	5.83	3.32	8.68	6.22	3.34			
	46	4.06	4.05	2.35	4.52	4.07	2.39	4.68	4.42	2.40	4.99	4.44	2.43	5.14	4.79	2.44	5.45	4.78	2.46	5.60	4.77	2.48	5.76	5.09	2.49			

Indoor units: 9,000 Btu + 9,000 Btu + 14,000 Btu

		Indoor temperature																										
°CDB		18			21			23			25			27			29			30			32					
°CWE		12			15			16			18			19			21			22			23					
Outdoor temperature	°CDB	TC	SHC	IP	TC	SHC	IP	TC	SHC	IP	TC	SHC	IP	TC	SHC	IP	TC	SHC	IP	TC	SHC	IP	TC	SHC	IP	TC	SHC	IP
		kW			kW			kW			kW			kW			kW			kW			kW					
	0	5	10	15	20	25	30	35	40	46																		
	0	6.88	5.55	1.25	7.66	5.59	1.27	7.93	6.07	1.27	8.45	6.09	1.29	8.71	6.58	1.29	9.23	6.56	1.31	9.49	6.54	1.31	9.75	6.98	1.32			
	5	6.45	5.36	1.62	7.18	5.40	1.64	7.43	5.86	1.65	7.92	5.89	1.67	8.16	6.35	1.68	8.65	6.33	1.69	8.90	6.32	1.70	9.14	6.74	1.71			
	10	6.57	5.41	1.65	7.32	5.45	1.67	7.57	5.92	1.68	8.07	5.94	1.70	8.32	6.42	1.70	8.81	6.39	1.72	9.06	6.38	1.73	9.31	6.81	1.74			
	15	7.53	5.84	1.96	8.39	5.87	1.99	8.67	6.38	2.00	9.25	6.41	2.02	9.53	6.92	2.03	10.10	6.89	2.05	10.39	6.88	2.06	10.68	7.34	2.07			
	20	7.84	5.97	2.09	8.73	6.01	2.13	9.03	6.53	2.14	9.62	6.56	2.16	9.92	7.08	2.17	10.52	7.05	2.19	10.81	7.04	2.20	11.11	7.51	2.21			
	25	8.17	6.12	2.74	9.10	6.16	2.78	9.41	6.69	2.79	10.03	6.72	2.82	10.34	7.25	2.84	10.96	7.22	2.87	11.27	7.21	2.88	11.58	7.69	2.89			
	30	7.58	5.86	2.97	8.45	5.90	3.01	8.74	6.41	3.03	9.31	6.43	3.06	9.60	6.95	3.07	10.17	6.92	3.10	10.46	6.91	3.12	10.75	7.37	3.13			
	35	7.27	5.72	3.45	8.10	5.76	3.51	8.37	6.26	3.53	8.92	6.28	3.58	9.20	6.78	3.58	9.75	6.76	3.58	10.03	6.74	3.58	10.30	7.20	3.58			
	40	6.20	5.09	3.16	6.90	5.12	3.20	7.14	5.57	3.22	7.61	5.59	3.25	7.84	6.03	3.27	8.31	6.01	3.30	8.55	6.00	3.32	8.79	6.40	3.34			
	46	4.10	4.10	2.35	4.57	4.13	2.39	4.72	4.49	2.40	5.03	4.51	2.43	5.19	4.87	2.44	5.50	4.85	2.46	5.66	4.84	2.48	5.81	5.17	2.49			

Indoor units: 9,000 Btu + 9,000 Btu + 18,000 Btu

		Indoor temperature																										
°CDB		18			21			23			25			27			29			30			32					
°CWE		12			15			16			18			19			21			22			23					
Outdoor temperature	°CDB	TC	SHC	IP	TC	SHC	IP	TC	SHC	IP	TC	SHC	IP	TC	SHC	IP	TC	SHC	IP	TC	SHC	IP	TC	SHC	IP	TC	SHC	IP
		kW			kW			kW			kW			kW			kW			kW			kW					
	0	5	10	15	20	25	30	35	40	46																		
	0	7.79	6.38	1.45	8.67	6.42	1.47	8.97	6.98	1.48	9.56	7.00	1.49	9.86	7.56	1.50	10.45	7.53	1.51	10.74	7.52	1.52	11.04	8.02	1.53			
	5	7.36	6.19	1.74	8.20	6.23	1.76	8.48	6.77	1.77	9.04	6.80	1.79	9.32	7.33	1.80	9.88	7.31	1.82	10.16	7.30	1.83	10.44	7.78	1.84			
	10	7.49	6.25	1.89	8.35	6.29	1.92	8.63	6.83	1.93	9.20	6.86	1.95	9.48	7.40	1.96	10.05	7.38	1.98	10.34	7.36	1.99	10.62	7.86	2.00			
	15	8.64	6.76	2.20	9.62	6.80	2.24	9.95	7.39	2.25	10.60	7.42	2.27	10.93	8.01	2.28	11.59	7.98	2.31	11.92	7.96	2.32	12.24	8.50	2.33			
	20	8.44	6.67	2.09	9.40	6.71	2.13	9.73	7.29	2.14	10.37	7.32	2.16	10.69	7.90	2.17	11.33	7.88	2.19	11.65	7.86	2.20	11.97	8.39	2.21			
	25	9.06	6.95	2.89	10.10	6.99	2.94	10.44	7.60	2.95	11.13	7.63	2.98	11.47	8.23	3.00	12.16	8.20	3.03	12.50	8.19	3.04	12.85	8.73	3.06			
	30	8.44	6.67	3.12	9.40	6.71	3.17	9.72	7.29	3.19	10.36	7.32	3.22	10.69	7.90	3.23	11.33	7.88	3.27	11.65	7.86	3.28	11.97	8.39	3.30			
	35	8.66	6.39	3.44	8.71	6.43	3.49	9.01	6.99	3.51	9.60	7.02	3.54	9.90	7.58	3.56	10.49	7.55	3.58	10.79	7.54	3.58	11.09	8.04	3.58			
	40	6.35	5.38	3.16	7.07	5.41	3.20	7.31	5.88	3.22	7.79	5.91	3.25	8.03	6.37	3.27	8.52	6.35	3.30	8.76	6.34	3.32	9.00	6.76	3.34			
	46	4.18	4.18	2.35	4.66	4.26	2.39	4.82	4.63	2.40	5.13	4.65	2.43	5.29	5.02	2.44	5.61	5.00	2.46	5.77	4.99	2.48	5.93	5.32	2.49			

Indoor units: 9,000 Btu + 9,000 Btu + 24,000 Btu

		Indoor temperature																										
°CDB		18			21			23			25			27			29			30			32					
°CWE		12			15			16			18			19			21			22			23					
Outdoor temperature	°CDB	TC	SHC	IP	TC	SHC	IP	TC	SHC	IP	TC	SHC	IP	TC	SHC	IP	TC	SHC	IP	TC	SHC	IP	TC	SHC	IP	TC	SHC	IP
		kW			kW			kW			kW			kW			kW			kW			kW					
	0	5	10	15	20	25	30	35	40	46																		
	0	8.82	7.09	1.82	9.82	7.13	1.85	10.16	7.75	1.86	10.83	7.78	1.88	11.16	8.40	1.88	11.83	8.37	1.90	12.17	8.35	1.91	12.50	8.91	1.92			
	5	8.51	6.95	1.97	9.48	7.00	2.01	9.80	7.60	2.02	10.45	7.63	2.04	10.77	8.24	2.05	11.42	8.21	2.07	11.74	8.20	2.08	12.07	8.74	2.09			
	10	8.57	6.98	2.03	9.54	7.02	2.07	9.87	7.63	2.08	10.52	7.66	2.10	10.84	8.27	2.11	11.49	8.24	2.13	11.82	8.22	2.14	12.15	8.77	2.15			
	15	8.66	7.02	1.81	9.64	7.06	1.84	9.97	7.67	1.85	10.63	7.70	1.87	10.96	8.32	1.87	11.61	8.29	1.89	11.94	8.27	1.90	12.27	8.82	1.91			
	20	8.63	7.01	2.09	9.62	7.05	2.12	9.95	7.66	2.13	10.60	7.69	2.15	10.93	8.30	2.17	11.58	8.27	2.19	11.91	8.26	2.20	12.24	8.81	2.21			
	25	9.13	7.22	2.96	10.17	7.27	3.00	10.52	7.90	3.02	11.21	7.93	3.05	11.56	8.56	3.06	12.25	8.53	3.09	12.60	8.52	3.11	12.94	9.08	3.12			
	30	8.66	6.97	3.17	9.53	7.02	3.22	9.86	7.63	3.24	10.51	7.66	3.27	10.83	8.26	3.29	11.48	8.23	3.32	11.81	8.22	3.34	12.13	8.77	3.36			
	35	7.98	6.72	3.42	8.89	6.76	3.47	9.19	7.35	3.49	9.80	7.38	3.52	10.10	7.96	3.54	10.71	7.93	3.58	11.01	7.92	3.58	11.31	8.45	3.58			
	40	6.57	5.81	3.16	7.32																							

**Indoor units: 9,000 Btu + 12,000 Btu + 12,000 Btu**

	Indoor temperature																							
	18			21			23			25			27			29			30			32		
	12			15			16			18			19			21			22			23		
	TC	SHC	IP	TC	SHC	IP	TC	SHC	IP	TC	SHC	IP	TC	SHC	IP	TC	SHC	IP	TC	SHC	IP	TC	SHC	IP
Outdoor temperature	kW			kW			kW			kW			kW			kW			kW			kW		
0	6.78	5.51	1.26	7.55	5.54	1.28	7.80	6.02	1.29	8.32	6.05	1.30	8.58	6.53	1.31	9.09	6.51	1.32	9.35	6.49	1.33	9.61	6.93	1.34
5	6.36	5.33	1.61	7.09	5.36	1.63	7.33	5.83	1.64	7.81	5.85	1.66	8.05	6.31	1.67	8.54	6.29	1.68	8.78	6.28	1.69	9.02	6.70	1.70
10	6.48	5.38	1.66	7.22	5.41	1.69	7.47	5.88	1.70	7.96	5.91	1.71	8.21	6.38	1.72	8.70	6.35	1.74	8.94	6.34	1.75	9.19	6.76	1.76
15	7.43	5.80	1.97	8.28	5.83	2.00	8.56	6.34	2.01	9.12	6.36	2.03	9.40	6.87	2.04	9.97	6.84	2.06	10.25	6.83	2.07	10.53	7.29	2.08
20	7.75	5.94	2.08	8.64	5.98	2.11	8.93	6.50	2.12	9.52	6.52	2.14	9.82	7.04	2.15	10.40	7.01	2.17	10.70	7.00	2.19	10.99	7.47	2.20
25	8.06	6.08	2.73	8.98	6.11	2.77	9.29	6.64	2.78	9.90	6.67	2.81	10.21	7.20	2.83	10.82	7.17	2.86	11.13	7.16	2.87	11.43	7.64	2.88
30	7.49	5.82	2.95	8.35	5.86	3.00	8.63	6.37	3.01	9.20	6.39	3.04	9.48	6.90	3.06	10.05	6.88	3.09	10.34	6.87	3.11	10.62	7.32	3.12
35	7.19	5.69	3.42	8.01	5.73	3.47	8.28	6.22	3.49	8.83	6.25	3.52	9.10	6.74	3.54	9.65	6.72	3.58	9.92	6.71	3.58	10.19	7.16	3.58
40	6.23	5.16	3.16	6.94	5.20	3.20	7.18	5.65	3.22	7.66	5.67	3.25	7.89	6.12	3.27	8.37	6.10	3.30	8.60	6.08	3.32	8.84	6.49	3.34
46	4.12	4.12	2.35	4.59	4.17	2.39	4.75	4.53	2.40	5.06	4.54	2.43	5.22	4.91	2.44	5.53	4.89	2.46	5.69	4.88	2.48	5.84	5.21	2.49

**Indoor units: 9,000 Btu + 12,000 Btu + 14,000 Btu**

	Indoor temperature																							
	18			21			23			25			27			29			30			32		
	12			15			16			18			19			21			22			23		
	TC	SHC	IP	TC	SHC	IP	TC	SHC	IP	TC	SHC	IP	TC	SHC	IP	TC	SHC	IP	TC	SHC	IP	TC	SHC	IP
Outdoor temperature	kW			kW			kW			kW			kW			kW			kW			kW		
0	7.26	5.82	1.42	8.09	5.85	1.44	8.37	6.36	1.45	8.92	6.39	1.47	9.19	6.89	1.47	9.75	6.87	1.49	10.02	6.86	1.49	10.30	7.31	1.50
5	6.85	5.64	1.74	7.63	5.67	1.77	7.89	6.16	1.78	8.41	6.19	1.79	8.67	6.68	1.80	9.19	6.65	1.82	9.45	6.64	1.83	9.71	7.09	1.84
10	6.98	5.69	1.86	7.77	5.73	1.89	8.03	6.22	1.90	8.56	6.25	1.92	8.83	6.74	1.93	9.36	6.72	1.95	9.62	6.71	1.96	9.89	7.16	1.97
15	7.47	5.91	2.03	8.32	5.95	2.06	8.61	6.46	2.07	9.18	6.49	2.09	9.46	7.00	2.10	10.03	6.98	2.12	10.31	6.96	2.13	10.59	7.43	2.14
20	7.84	6.07	2.10	8.74	6.11	2.13	9.03	6.64	2.14	9.63	6.67	2.16	9.93	7.20	2.17	10.52	7.17	2.20	10.82	7.16	2.21	11.12	7.63	2.22
25	8.12	6.19	2.78	9.05	6.23	2.82	9.36	6.77	2.83	9.97	6.80	2.86	10.28	7.34	2.88	10.90	7.31	2.91	11.21	7.30	2.92	11.51	7.79	2.94
30	7.56	5.95	3.00	8.42	5.98	3.05	8.71	6.50	3.06	9.28	6.53	3.09	9.57	7.05	3.11	10.14	7.02	3.14	10.43	7.01	3.16	10.72	7.48	3.17
35	7.27	5.82	3.45	8.10	5.86	3.51	8.37	6.36	3.53	8.92	6.39	3.58	9.20	6.90	3.58	9.75	6.87	3.58	10.03	6.86	3.58	10.30	7.32	3.58
40	6.31	5.31	3.16	7.03	5.34	3.20	7.27	5.80	3.22	7.75	5.83	3.25	7.99	6.29	3.27	8.47	6.27	3.30	8.71	6.26	3.32	8.95	6.67	3.34
46	4.16	4.16	2.35	4.64	4.23	2.39	4.79	4.60	2.40	5.11	4.61	2.43	5.27	4.98	2.44	5.58	4.96	2.46	5.74	4.95	2.48	5.90	5.28	2.49

**Indoor units: 9,000 Btu + 12,000 Btu + 18,000 Btu**

	Indoor temperature																							
	18			21			23			25			27			29			30			32		
	12			15			16			18			19			21			22			23		
	TC	SHC	IP	TC	SHC	IP	TC	SHC	IP	TC	SHC	IP	TC	SHC	IP	TC	SHC	IP	TC	SHC	IP	TC	SHC	IP
Outdoor temperature	kW			kW			kW			kW			kW			kW			kW			kW		
0	8.09	6.54	1.61	9.01	6.58	1.63	9.31	7.15	1.64	9.93	7.18	1.66	10.23	7.75	1.67	10.85	7.72	1.68	11.16	7.70	1.69	11.46	8.22	1.70
5	7.72	6.37	1.83	8.59	6.41	1.86	8.89	6.97	1.87	9.47	7.00	1.89	9.77	7.55	1.90	10.35	7.53	1.92	10.65	7.51	1.93	10.94	8.01	1.94
10	7.82	6.42	1.90	8.71	6.46	1.93	9.01	7.02	1.93	9.60	7.05	1.95	9.90	7.61	1.96	10.49	7.58	1.98	10.79	7.57	1.99	11.09	8.07	2.00
15	8.56	6.74	2.27	9.54	6.79	2.31	9.86	7.38	2.32	10.51	7.40	2.34	10.84	7.99	2.36	11.49	7.96	2.38	11.81	7.95	2.39	12.14	8.48	2.40
20	8.45	6.70	2.10	9.41	6.74	2.13	9.74	7.32	2.14	10.38	7.35	2.16	10.70	7.94	2.17	11.34	7.91	2.20	11.66	7.89	2.21	11.98	8.42	2.22
25	9.01	6.94	2.93	10.03	6.98	2.98	10.38	7.59	2.99	11.06	7.62	3.02	11.40	8.22	3.04	12.09	8.19	3.07	12.43	8.18	3.08	12.77	8.73	3.10
30	8.41	6.68	3.16	9.37	6.72	3.21	9.69	7.31	3.22	10.33	7.33	3.25	10.65	7.92	3.27	11.29	7.89	3.30	11.61	7.87	3.32	11.93	8.40	3.34
35	7.82	6.42	3.44	8.71	6.46	3.49	9.01	7.02	3.51	9.60	7.05	3.54	9.90	7.61	3.56	10.49	7.58	3.58	10.79	7.57	3.58	11.09	8.07	3.58
40	6.46	5.60	3.16	7.20	5.63	3.20	7.44	6.12	3.22	7.93	6.14	3.25	8.18	6.63	3.27	8.67	6.61	3.30	8.91	6.60	3.32	9.16	7.04	3.34
46	4.24	4.24	2.35	4.72	4.36	2.39	4.89	4.73	2.40	5.21	4.75	2.43	5.37	5.13	2.44	5.69	5.11	2.46	5.85	5.10	2.48	6.01	5.44	2.49

**Indoor units: 9,000 Btu + 12,000 Btu + 24,000 Btu**

	Indoor temperature																							
	18			21			23			25			27			29			30			32		
	12			15			16			18			19			21			22			23		
	TC	SHC	IP	TC	SHC	IP	TC	SHC	IP	TC	SHC	IP	TC	SHC	IP	TC	SHC	IP	TC	SHC	IP	TC	SHC	IP
Outdoor temperature	kW			kW			kW			kW			kW			kW			kW			kW		
0	8.77	7.18	1.93	9.77	7.23	1.96	10.10	7.85	1.97	10.77	7.88	1.99	11.10	8.51	2.00	11.77	8.48	2.02	12.10	8.46	2.03	12.44	9.03	2.04
5	8.58	7.10	2.00	9.56	7.14	2.03	9.89	7.76	2.04	10.54	7.79	2.06	10.87	8.41	2.07	11.52	8.38	2.09	11.84	8.37	2.10	12.17	8.92	2.11
10	8.56	7.09	2.05	9.53	7.13	2.08	9.86	7.75	2.09	10.51	7.78	2.11	10.83	8.40	2.12	11.48	8.37	2.14	11.81	8.35	2.15	12.13	8.91	2.17
15	8.57	7.09	1.82	9.55	7.14	1.85	9.87	7.76	1.85	10.52	7.79	1.87	10.85	8.40	1.88	11.50	8.37	1.90	11.82	8.36	1.91	12.15	8.92	1.92
20	8.65	7.13	2.11	9.63	7.17	2.14	9.96	7.79	2.15	10.62	7.82	2.17	10.95	8.44	2.18	11.60	8.41	2.20	11.93	8.40	2.21	12.26	8.96	2.23
25	9.06	7.31	3.01	10.10	7.35	3.06	10.44	7.99	3.07	11.13	8.02	3.11	11.47	8.66	3.12	12.16	8.63	3.15	12.51	8.61	3.17	12.85	9.19	3.18
30	8.53	7.07	3.23	9.50	7.12	3.28	9.83	7.74	3.30	10.47	7.77	3.33	10.80	8.38	3.35	11.45	8.35	3.38	11.77	8.34	3.40	12.09	8.90	3.41
35	7.98	6.83	3.44	8.89	6.88	3.49	9.19	7.47	3.51	9.80	7.50	3.54	10.10	8.10	3.56	10.71	8.07	3.58	11.01	8.06	3.58	11.31	8.59	3.58
40	6.69	6.03	3.16	7.45	6.07	3.20	7.70	6.59	3.22	8.21	6.62	3.25	8.46	7.15	3.27	8.97	7.12	3.30	9.23	7.11	3.32	9.48	7.58	3.34
46	4.36	4.36	2.35	4.86	4.55	2.39	5.03	4.94	2.40	5.36	4.96	2.43	5.52	5.35	2.44	5.85	5.33	2.46	6.02	5.32	2.48	6.18	5.68	2.49

### ☐ Indoor units: 9,000 Btu + 14,000 Btu + 14,000 Btu

		Indoor temperature																										
°CDB		18			21			23			25			27			29			30			32					
°CWE		12			15			16			18			19			21			22			23					
Outdoor temperature	°CDB	TC	SHC	IP	TC	SHC	IP	TC	SHC	IP	TC	SHC	IP	TC	SHC	IP	TC	SHC	IP	TC	SHC	IP	TC	SHC	IP	TC	SHC	IP
		kW			kW			kW			kW			kW			kW			kW			kW			kW		
	0	7.29	6.36	1.48	8.12	6.40	1.51	8.40	6.95	1.51	8.95	6.98	1.53	9.23	7.53	1.54	9.78	7.51	1.55	10.06	7.49	1.56	10.34	7.99	1.57			
	5	6.91	6.18	1.75	7.70	6.22	1.78	7.96	6.76	1.79	8.49	6.78	1.81	8.75	7.32	1.81	9.27	7.30	1.83	9.54	7.28	1.84	9.80	7.77	1.85			
	10	7.03	6.23	1.93	7.83	6.27	1.96	8.09	6.82	1.97	8.63	6.84	1.99	8.89	7.39	2.00	9.43	7.36	2.02	9.69	7.35	2.03	9.96	7.84	2.04			
	15	8.09	6.73	2.24	9.01	6.77	2.27	9.32	7.36	2.29	9.93	7.39	2.31	10.24	7.98	2.32	10.86	7.95	2.34	11.16	7.93	2.35	11.47	8.46	2.37			
	20	7.93	6.66	2.11	8.84	6.70	2.14	9.14	7.28	2.15	9.74	7.31	2.17	10.04	7.89	2.18	10.64	7.86	2.21	10.95	7.85	2.22	11.25	8.37	2.23			
	25	8.50	6.92	2.92	9.46	6.97	2.97	9.79	7.57	2.98	10.43	7.60	3.01	10.76	8.20	3.03	11.40	8.17	3.06	11.72	8.16	3.07	12.05	8.70	3.09			
	30	7.92	6.65	3.15	8.82	6.70	3.20	9.12	7.28	3.22	9.73	7.30	3.25	10.03	7.88	3.26	10.63	7.86	3.30	10.93	7.84	3.31	11.23	8.36	3.33			
	35	7.35	6.38	3.45	8.18	6.42	3.51	8.46	6.98	3.53	9.02	7.01	3.58	9.30	7.56	3.58	9.86	7.54	3.58	10.14	7.52	3.58	10.42	8.03	3.58			
	40	6.39	5.45	3.16	7.11	5.49	3.20	7.36	5.96	3.22	7.84	5.99	3.25	8.08	6.46	3.27	8.57	6.44	3.30	8.81	6.43	3.32	9.05	6.85	3.34			
	46	4.20	4.20	2.35	4.68	4.29	2.39	4.84	4.66	2.40	5.16	4.68	2.43	5.32	5.06	2.44	5.64	5.04	2.46	5.80	5.03	2.48	5.96	5.36	2.49			

### ☐ Indoor units: 9,000 Btu + 14,000 Btu + 18,000 Btu

		Indoor temperature																										
°CDB		18			21			23			25			27			29			30			32					
°CWE		12			15			16			18			19			21			22			23					
Outdoor temperature	°CDB	TC	SHC	IP	TC	SHC	IP	TC	SHC	IP	TC	SHC	IP	TC	SHC	IP	TC	SHC	IP	TC	SHC	IP	TC	SHC	IP	TC	SHC	IP
		kW			kW			kW			kW			kW			kW			kW			kW			kW		
	0	8.12	6.67	1.68	9.05	6.71	1.70	9.36	7.30	1.71	9.98	7.32	1.73	10.28	7.91	1.74	10.90	7.88	1.76	11.21	7.86	1.76	11.52	8.39	1.77			
	5	7.81	6.53	1.85	8.70	6.58	1.88	9.00	7.15	1.89	9.59	7.17	1.91	9.89	7.74	1.92	10.48	7.72	1.94	10.78	7.70	1.95	11.07	8.22	1.96			
	10	7.88	6.57	1.91	8.78	6.61	1.94	9.08	7.18	1.95	9.68	7.21	1.97	9.98	7.78	1.98	10.58	7.75	2.00	10.88	7.74	2.01	11.17	8.26	2.02			
	15	8.60	6.88	1.83	9.58	6.92	1.86	9.90	7.52	1.87	10.56	7.55	1.89	10.88	8.15	1.90	11.53	8.12	1.92	11.86	8.11	1.92	12.19	8.65	1.93			
	20	8.54	6.85	2.11	9.52	6.90	2.15	9.84	7.50	2.16	10.49	7.53	2.18	10.82	8.12	2.19	11.46	8.09	2.21	11.79	8.08	2.22	12.11	8.62	2.23			
	25	9.06	7.08	2.98	10.09	7.13	3.02	10.44	7.74	3.04	11.12	7.77	3.07	11.47	8.39	3.08	12.16	8.36	3.11	12.50	8.35	3.13	12.84	8.90	3.14			
	30	8.48	6.83	3.20	9.45	6.87	3.25	9.77	7.47	3.26	10.41	7.50	3.30	10.74	8.09	3.31	11.38	8.06	3.35	11.70	8.05	3.36	12.02	8.58	3.38			
	35	7.90	6.57	3.45	8.80	6.62	3.51	9.10	7.19	3.53	9.70	7.22	3.58	10.00	7.79	3.58	10.60	7.76	3.58	10.90	7.75	3.58	11.20	8.27	3.58			
	40	6.54	5.74	3.16	7.28	5.78	3.20	7.53	6.28	3.22	8.03	6.30	3.25	8.27	6.80	3.27	8.77	6.78	3.30	9.02	6.77	3.32	9.27	7.22	3.34			
	46	4.28	4.28	2.35	4.77	4.42	2.39	4.93	4.80	2.40	5.26	4.82	2.43	5.42	5.20	2.44	5.75	5.19	2.46	5.91	5.18	2.48	6.07	5.52	2.49			

### ☐ Indoor units: 9,000 Btu + 14,000 Btu + 24,000 Btu

		Indoor temperature																										
°CDB		18			21			23			25			27			29			30			32					
°CWE		12			15			16			18			19			21			22			23					
Outdoor temperature	°CDB	TC	SHC	IP	TC	SHC	IP	TC	SHC	IP	TC	SHC	IP	TC	SHC	IP	TC	SHC	IP	TC	SHC	IP	TC	SHC	IP	TC	SHC	IP
		kW			kW			kW			kW			kW			kW			kW			kW			kW		
	0	8.75	7.28	1.99	9.75	7.32	2.02	10.08	7.96	2.03	10.75	7.99	2.05	11.08	8.63	2.07	11.75	8.59	2.09	12.08	8.58	2.10	12.41	9.15	2.11			
	5	8.65	7.23	2.01	9.64	7.28	2.04	9.97	7.91	2.05	10.62	7.94	2.07	10.95	8.57	2.08	11.61	8.54	2.10	11.94	8.53	2.11	12.27	9.10	2.12			
	10	8.56	7.19	2.05	9.54	7.24	2.08	9.86	7.87	2.09	10.51	7.90	2.11	10.84	8.53	2.13	11.49	8.49	2.15	11.81	8.48	2.16	12.14	9.05	2.17			
	15	8.51	7.17	1.82	9.48	7.22	1.84	9.80	7.84	1.85	10.45	7.87	1.87	10.77	8.50	1.88	11.42	8.47	1.90	11.74	8.45	1.91	12.06	9.02	1.92			
	20	8.66	7.24	2.11	9.64	7.28	2.14	9.97	7.91	2.15	10.63	7.94	2.17	10.96	8.58	2.18	11.62	8.54	2.21	11.95	8.53	2.22	12.27	9.10	2.23			
	25	9.02	7.39	3.04	10.05	7.44	3.09	10.39	8.09	3.10	11.07	8.12	3.13	11.42	8.76	3.15	12.10	8.73	3.18	12.44	8.72	3.20	12.79	9.30	3.21			
	30	8.51	7.17	3.25	9.48	7.22	3.30	9.81	7.84	3.32	10.45	7.87	3.35	10.78	8.50	3.37	11.42	8.47	3.40	11.75	8.45	3.42	12.07	9.02	3.44			
	35	7.98	6.94	3.44	8.89	6.98	3.49	9.19	7.59	3.51	9.80	7.62	3.54	10.10	8.22	3.56	10.71	8.19	3.58	11.01	8.18	3.58	11.31	8.73	3.58			
	40	6.76	6.17	3.16	7.53	6.21	3.20	7.79	6.75	3.22	8.30	6.78	3.25	8.56	7.32	3.27	9.07	7.29	3.30	9.33	7.28	3.32	9.59	7.76	3.34			
	46	4.40	4.40	2.35	4.90	4.61	2.39	5.07	5.01	2.40	5.41	5.03	2.43	5.57	5.43	2.44	5.91	5.41	2.46	6.07	5.40	2.48	6.24	5.76	2.49			

### ☐ Indoor units: 9,000 Btu + 18,000 Btu + 18,000 Btu

		Indoor temperature																										
°CDB		18			21			23			25			27			29			30			32					
°CWE		12			15			16			18			19			21			22			23					
Outdoor temperature	°CDB	TC	SHC	IP	TC	SHC	IP	TC	SHC	IP	TC	SHC	IP	TC	SHC	IP	TC	SHC	IP	TC	SHC	IP	TC	SHC	IP	TC	SHC	IP
		kW			kW			kW			kW			kW			kW			kW			kW			kW		
	0	8.77	7.36	1.94	9.77	7.41	1.97	10.10	8.05	1.98	10.77	8.08	2.00	11.10	8.72	2.01	11.77	8.69	2.03	12.10	8.68	2.04	12.44	9.26	2.05			
	5	8.58	7.28	2.01	9.56	7.32	2.04	9.89	7.96	2.05	10.54	7.99	2.07	10.87	8.62	2.08	11.52	8.59	2.10	11.84	8.58	2.11	12.17	9.15	2.12			
	10	8.56	7.26	2.06	9.53	7.31	2.09	9.86	7.95	2.10	10.51	7.98	2.12	10.83	8.61	2.13	11.48	8.58	2.16	11.81	8.56	2.17	12.13	9.14	2.18			
	15	8.57	7.27	1.83	9.55	7.32	1.86	9.87	7.95	1.87	10.52	7.98	1.88	10.85	8.62	1.89	11.50	8.58	1.91	11.82	8.57	1.92	12.15	9.14	1.93			
	20	8.65	7.31	2.12	9.63	7.35	2.15	9.96	7.99	2.16	10.62	8.02	2.18	10.95	8.66	2.19	11.60	8.63	2.22	11.93	8.61	2.23	12.26	9.19	2.24			
	25	9.06	7.49	3.03	10.10	7.54	3.08	10.44	8.19	3.09	11.13	8.23	3.12	11.47	8.88	3.14	12.16	8.85	3.17	12.51	8.83	3.19	12.85	9.42	3.20			
	30	8.53	7.25	3.25	9.50	7.30	3.30	9.83	7.93	3.31	10.47	7.96	3.35	10.80	8.60	3.36	11.45	8.56	3.40	11.77	8.55	3.42	12.09	9.12	3.43			
	35	7.98	7.01	3.45	8.89	7.05	3.51	9.19	7.66	3.53	9.80	7.69	3.58	10.10	8.30	3.58	10.71	8.27	3.58	11.01	8.26	3.58	11.31	8.81	3.58			
	40	6.69	6.03	3.16	7.45	6.07	3.20	7.70	6.59	3.22	8.21	6.62	3.25	8.46	7.15	3.27	8.97	7.12	3.30	9.23	7.11	3.32	9.48	7.58	3.34			
	46	4.36	4.36	2.35	4.86	4.5																						

## □ Indoor units: 12,000 Btu + 12,000 Btu + 12,000 Btu

	Indoor temperature																							
	18			21			23			25			27			29			30			32		
	12			15			16			18			19			21			22			23		
Outdoor temperature	°CDB			°CDB			°CDB			°CDB			°CDB			°CDB			°CDB			°CDB		
	TC	SHC	IP	TC	SHC	IP	TC	SHC	IP	TC	SHC	IP	TC	SHC	IP	TC	SHC	IP	TC	SHC	IP	TC	SHC	IP
	kW			kW			kW			kW			kW			kW			kW			kW		
0	7.24	5.70	1.44	8.06	5.74	1.46	8.34	6.24	1.47	8.89	6.26	1.49	9.16	6.76	1.49	9.71	6.73	1.51	9.98	6.72	1.52	10.26	7.17	1.52
5	6.84	5.53	1.73	7.62	5.57	1.76	7.88	6.05	1.77	8.40	6.07	1.79	8.66	6.56	1.80	9.18	6.53	1.81	9.44	6.52	1.82	9.70	6.96	1.83
10	6.96	5.58	1.88	7.76	5.62	1.91	8.02	6.11	1.92	8.55	6.13	1.94	8.81	6.62	1.95	9.34	6.59	1.97	9.61	6.58	1.98	9.87	7.02	1.99
15	7.45	5.79	2.04	8.30	5.83	2.07	8.58	6.34	2.08	9.15	6.36	2.10	9.43	6.87	2.11	10.00	6.84	2.13	10.28	6.83	2.15	10.57	7.29	2.16
20	7.85	5.96	2.09	8.74	6.00	2.12	9.04	6.52	2.13	9.63	6.55	2.15	9.93	7.07	2.16	10.53	7.04	2.19	10.83	7.03	2.20	11.12	7.50	2.21
25	8.11	6.07	2.77	9.03	6.11	2.82	9.34	6.64	2.83	9.95	6.67	2.86	10.26	7.20	2.88	10.88	7.17	2.90	11.18	7.16	2.92	11.49	7.64	2.93
30	7.55	5.84	3.00	8.41	5.87	3.04	8.70	6.38	3.06	9.27	6.41	3.09	9.56	6.92	3.10	10.13	6.89	3.13	10.42	6.88	3.15	10.70	7.34	3.17
35	7.27	5.72	3.43	8.10	5.75	3.48	8.37	6.25	3.50	8.92	6.27	3.53	9.20	6.77	3.55	9.75	6.75	3.58	10.03	6.74	3.58	10.30	7.19	3.58
40	6.35	5.38	3.16	7.07	5.41	3.20	7.31	5.88	3.22	7.79	5.91	3.25	8.03	6.37	3.27	8.52	6.35	3.30	8.76	6.34	3.32	9.00	6.76	3.34
46	4.18	4.18	2.35	4.66	4.26	2.39	4.82	4.63	2.40	5.13	4.65	2.43	5.29	5.02	2.44	5.61	5.00	2.46	5.77	4.99	2.48	5.93	5.32	2.49

## □ Indoor units: 12,000 Btu + 12,000 Btu + 14,000 Btu

	Indoor temperature																							
	18			21			23			25			27			29			30			32		
	12			15			16			18			19			21			22			23		
Outdoor temperature	°CDB			°CDB			°CDB			°CDB			°CDB			°CDB			°CDB			°CDB		
	TC	SHC	IP	TC	SHC	IP	TC	SHC	IP	TC	SHC	IP	TC	SHC	IP	TC	SHC	IP	TC	SHC	IP	TC	SHC	IP
	kW			kW			kW			kW			kW			kW			kW			kW		
0	7.62	6.11	1.59	8.49	6.15	1.61	8.78	6.68	1.62	9.35	6.71	1.64	9.64	7.24	1.64	10.22	7.22	1.66	10.51	7.20	1.67	10.80	7.68	1.68
5	7.25	5.95	1.84	8.07	5.99	1.87	8.35	6.50	1.88	8.90	6.53	1.90	9.17	7.05	1.91	9.72	7.02	1.93	10.00	7.01	1.93	10.27	7.48	1.94
10	7.36	6.00	2.06	8.19	6.03	2.10	8.47	6.56	2.11	9.03	6.58	2.13	9.31	7.11	2.14	9.87	7.08	2.16	10.15	7.07	2.17	10.43	7.54	2.18
15	8.07	6.31	2.26	8.99	6.35	2.30	9.29	6.90	2.31	9.91	6.92	2.33	10.21	7.47	2.34	10.82	7.45	2.37	11.13	7.43	2.38	11.44	7.93	2.39
20	7.94	6.25	2.11	8.84	6.29	2.14	9.14	6.84	2.15	9.74	6.86	2.17	10.05	7.41	2.18	10.65	7.38	2.21	10.95	7.37	2.22	11.25	7.86	2.23
25	8.48	6.49	2.93	9.45	6.53	2.98	9.77	7.10	3.00	10.41	7.12	3.03	10.73	7.69	3.04	11.38	7.66	3.07	11.70	7.65	3.09	12.02	8.16	3.10
30	7.91	6.24	3.16	8.81	6.28	3.21	9.11	6.82	3.23	9.72	6.85	3.26	10.02	7.39	3.28	10.62	7.37	3.31	10.92	7.35	3.33	11.22	7.85	3.34
35	7.35	5.99	3.45	8.18	6.03	3.51	8.46	6.55	3.53	9.02	6.58	3.58	9.30	7.10	3.58	9.86	7.08	3.58	10.14	7.06	3.58	10.42	7.53	3.58
40	6.42	5.52	3.16	7.15	5.56	3.20	7.40	6.04	3.22	7.89	6.06	3.25	8.13	6.55	3.27	8.62	6.52	3.30	8.86	6.51	3.32	9.11	6.95	3.34
46	4.22	4.22	2.35	4.70	4.32	2.39	4.86	4.70	2.40	5.18	4.72	2.43	5.34	5.09	2.44	5.66	5.07	2.46	5.82	5.06	2.48	5.98	5.40	2.49

## □ Indoor units: 12,000 Btu + 12,000 Btu + 18,000 Btu

	Indoor temperature																							
	18			21			23			25			27			29			30			32		
	12			15			16			18			19			21			22			23		
Outdoor temperature	°CDB			°CDB			°CDB			°CDB			°CDB			°CDB			°CDB			°CDB		
	TC	SHC	IP	TC	SHC	IP	TC	SHC	IP	TC	SHC	IP	TC	SHC	IP	TC	SHC	IP	TC	SHC	IP	TC	SHC	IP
	kW			kW			kW			kW			kW			kW			kW			kW		
0	8.73	6.98	1.83	9.73	7.03	1.86	10.06	7.64	1.87	10.72	7.67	1.89	11.05	8.27	1.90	11.71	8.24	1.92	12.05	8.23	1.93	12.38	8.78	1.94
5	8.43	6.85	1.99	9.39	6.89	2.02	9.71	7.49	2.03	10.35	7.52	2.05	10.67	8.12	2.06	11.31	8.09	2.08	11.63	8.07	2.09	11.95	8.61	2.10
10	8.48	6.87	2.05	9.45	6.92	2.08	9.77	7.52	2.09	10.41	7.55	2.11	10.74	8.15	2.13	11.38	8.12	2.15	11.70	8.10	2.16	12.03	8.64	2.17
15	8.57	6.91	1.82	9.55	6.96	1.85	9.87	7.56	1.86	10.52	7.59	1.88	10.85	8.19	1.89	11.50	8.16	1.91	11.82	8.15	1.92	12.15	8.69	1.93
20	8.55	6.90	2.11	9.52	6.95	2.14	9.85	7.55	2.15	10.50	7.58	2.17	10.82	8.18	2.18	11.47	8.15	2.21	11.79	8.14	2.22	12.12	8.68	2.23
25	9.04	7.12	2.98	10.07	7.16	3.03	10.41	7.78	3.04	11.10	7.81	3.07	11.44	8.43	3.09	12.13	8.40	3.12	12.47	8.39	3.13	12.81	8.95	3.15
30	8.47	6.87	3.20	9.44	6.91	3.25	9.76	7.51	3.27	10.40	7.54	3.30	10.72	8.14	3.32	11.37	8.11	3.35	11.69	8.10	3.37	12.01	8.64	3.38
35	7.90	6.62	3.45	8.80	6.66	3.51	9.10	7.24	3.53	9.70	7.27	3.58	10.00	7.84	3.58	10.60	7.82	3.58	10.90	7.80	3.58	11.20	8.32	3.58
40	6.57	5.81	3.16	7.32	5.85	3.20	7.57	6.36	3.22	8.07	6.38	3.25	8.32	6.89	3.27	8.82	6.86	3.30	9.07	6.85	3.32	9.32	7.31	3.34
46	4.30	4.30	2.35	4.79	4.45	2.39	4.96	4.84	2.40	5.28	4.86	2.43	5.45	5.24	2.44	5.77	5.22	2.46	5.94	5.21	2.48	6.10	5.56	2.49

## □ Indoor units: 12,000 Btu + 12,000 Btu + 24,000 Btu

	Indoor temperature																							
	18			21			23			25			27			29			30			32		
	12			15			16			18			19			21			22			23		
Outdoor temperature	°CDB			°CDB			°CDB			°CDB			°CDB			°CDB			°CDB			°CDB		
	TC	SHC	IP	TC	SHC	IP	TC	SHC	IP	TC	SHC	IP	TC	SHC	IP	TC	SHC	IP	TC	SHC	IP	TC	SHC	IP
	kW			kW			kW			kW			kW			kW			kW			kW		
0	8.75	7.17	2.01	9.74	7.22	2.05	10.08	7.84	2.06	10.74	7.88	2.08	11.07	8.50	2.09	11.74	8.47	2.11	12.07	8.45	2.12	12.40	9.02	2.13
5	8.69	7.15	2.00	9.68	7.20	2.03	10.01	7.82	2.04	10.67	7.85	2.06	11.00	8.47	2.07	11.66	8.44	2.09	11.99	8.43	2.10	12.33	8.99	2.11
10	8.56	7.09	2.04	9.54	7.14	2.07	9.86	7.76	2.08	10.52	7.79	2.10	10.84	8.41	2.11	11.49	8.38	2.14	11.82	8.36	2.15	12.14	8.92	2.16
15	8.48	7.06	1.80	9.44	7.10	1.83	9.77	7.72	1.84	10.41	7.75	1.86	10.73	8.36	1.87	11.38	8.33	1.89	11.70	8.32	1.90	12.02	8.87	1.91
20	8.66	7.14	2.10	9.65	7.18	2.13	9.98	7.81	2.14	10.64	7.84	2.16	10.97	8.46	2.17	11.62	8.43	2.20	11.95	8.41	2.21	12.28	8.97	2.22
25	9.00	7.28	3.04	10.02	7.33	3.08	10.36	7.96	3.10	11.05	7.99	3.13	11.39	8.63	3.15	12.07	8.60	3.18	12.41	8.58	3.19	12.75	9.15	3.21
30	8.50	7.07	3.25	9.47	7.11	3.30	9.80	7.73	3.31	10.44	7.76	3.35	10.76	8.38	3.36	11.41	8.35	3.40	11.73	8.33	3.41	12.06	8.89	3.43
35	7.98	6.84	3.42	8.89	6.89	3.47	9.19	7.49	3.49	9.80	7.51	3.52	10.10	8.11	3.54	10.71	8.08	3.58	11.01	8.07	3.58	11.31	8.61	3.58
40	6.80	6.25	3.16	7.57	6.29	3.20	7.83	6.83	3.22	8.35	6.86	3.25	8.61	7.40	3.27	9.12	7.38	3.30	9.38	7.36	3.32	9.64	7.85	3.34
46	4.42	4.42	2.35	4.93	4.64	2.39	5.09	5.04	2.40	5.43	5.06	2.43	5.60	5.47	2.44	5.93	5.45	2.46	6.10	5.44	2.48	6.27	5.80	2.49

### □ Indoor units: 12,000 Btu + 14,000 Btu + 14,000 Btu

		Indoor temperature																									
°CDB		18			21			23			25			27			29			30			32				
°CWE		12			15			16			18			19			21			22			23				
Outdoor temperature	°CDB		TC	SHC	IP	TC	SHC	IP	TC	SHC	IP	TC	SHC	IP	TC	SHC	IP	TC	SHC	IP	TC	SHC	IP	TC	SHC	IP	
				kW			kW			kW			kW			kW			kW			kW			kW		
	0	5	10	15	20	25	30	35	40	46																	
	0	7.66	6.24	1.65	8.53	6.28	1.67	8.82	6.82	1.68	9.40	6.85	1.70	9.69	7.39	1.71	10.27	7.37	1.72	10.56	7.35	1.73	10.85	7.84	1.74		
	5	7.33	6.10	1.85	8.17	6.13	1.88	8.45	6.67	1.88	9.00	6.69	1.90	9.28	7.22	1.91	9.84	7.20	1.93	10.12	7.19	1.94	10.39	7.66	1.95		
	10	7.42	6.13	1.91	8.26	6.17	1.94	8.54	6.71	1.95	9.11	6.73	1.97	9.39	7.27	1.98	9.95	7.24	2.00	10.23	7.23	2.01	10.51	7.71	2.02		
	15	8.11	6.43	2.31	9.03	6.48	2.35	9.34	7.04	2.36	9.95	7.06	2.38	10.26	7.62	2.39	10.88	7.60	2.42	11.18	7.58	2.43	11.49	8.09	2.44		
	20	8.03	6.40	2.11	8.94	6.44	2.14	9.25	7.00	2.15	9.86	7.03	2.18	10.16	7.58	2.19	10.77	7.56	2.21	11.08	7.54	2.22	11.38	8.05	2.23		
	25	8.53	6.62	2.96	9.51	6.66	3.01	9.83	7.24	3.02	10.48	7.27	3.05	10.80	7.85	3.07	11.45	7.82	3.10	11.78	7.80	3.11	12.10	8.33	3.13		
	30	7.98	6.38	3.19	8.89	6.42	3.24	9.19	6.98	3.25	9.80	7.00	3.29	10.10	7.56	3.30	10.71	7.53	3.34	11.01	7.52	3.35	11.31	8.02	3.37		
	35	7.43	6.14	3.45	8.27	6.18	3.51	8.55	6.71	3.53	9.12	6.74	3.58	9.40	7.27	3.58	9.96	7.25	3.58	10.25	7.23	3.58	10.53	7.72	3.58		
	40	6.50	5.67	3.16	7.24	5.70	3.20	7.49	6.20	3.22	7.98	6.22	3.25	8.23	6.72	3.27	8.72	6.69	3.30	8.97	6.68	3.32	9.21	7.13	3.34		
	46	4.26	4.26	2.35	4.75	4.39	2.39	4.91	4.77	2.40	5.23	4.79	2.43	5.39	5.17	2.44	5.72	5.15	2.46	5.88	5.14	2.48	6.04	5.48	2.49		

### □ Indoor units: 12,000 Btu + 14,000 Btu + 18,000 Btu

		Indoor temperature																									
°CDB		18			21			23			25			27			29			30			32				
°CWE		12			15			16			18			19			21			22			23				
Outdoor temperature	°CDB		TC	SHC	IP	TC	SHC	IP	TC	SHC	IP	TC	SHC	IP	TC	SHC	IP	TC	SHC	IP	TC	SHC	IP	TC	SHC	IP	
				kW			kW			kW			kW			kW			kW			kW			kW		
	0	5	10	15	20	25	30	35	40	46																	
	0	8.79	7.14	1.91	9.79	7.18	1.93	10.12	7.80	1.94	10.79	7.83	1.96	11.12	8.46	1.97	11.79	8.43	1.99	12.12	8.41	2.00	12.46	8.97	2.01		
	5	8.56	7.03	2.00	9.53	7.08	2.04	9.85	7.69	2.05	10.50	7.72	2.07	10.83	8.34	2.08	11.48	8.31	2.10	11.80	8.29	2.11	12.13	8.85	2.12		
	10	8.56	7.04	2.06	9.53	7.08	2.09	9.86	7.70	2.10	10.51	7.73	2.12	10.83	8.34	2.13	11.48	8.31	2.16	11.81	8.29	2.17	12.13	8.85	2.18		
	15	8.60	7.05	1.83	9.58	7.10	1.86	9.90	7.71	1.87	10.56	7.74	1.88	10.88	8.36	1.89	11.54	8.33	1.91	11.86	8.31	1.92	12.19	8.87	1.93		
	20	8.64	7.07	2.12	9.63	7.12	2.15	9.96	7.74	2.16	10.61	7.77	2.18	10.94	8.38	2.19	11.60	8.35	2.21	11.92	8.34	2.23	12.25	8.89	2.24		
	25	9.09	7.27	3.02	10.12	7.31	3.06	10.47	7.95	3.08	11.16	7.98	3.11	11.50	8.61	3.13	12.19	8.58	3.16	12.54	8.57	3.17	12.88	9.14	3.19		
	30	8.54	7.03	3.23	9.51	7.07	3.29	9.84	7.69	3.30	10.49	7.72	3.34	10.81	8.33	3.35	11.46	8.30	3.39	11.78	8.28	3.40	12.11	8.84	3.42		
	35	7.98	6.78	3.45	8.89	6.83	3.51	9.19	7.42	3.53	9.80	7.45	3.58	10.10	8.04	3.58	10.71	8.01	3.58	11.01	8.00	3.58	11.31	8.53	3.58		
	40	6.65	5.96	3.16	7.41	6.00	3.20	7.66	6.52	3.22	8.16	6.54	3.25	8.42	7.06	3.27	8.92	7.04	3.30	9.17	7.02	3.32	9.43	7.49	3.34		
	46	4.34	4.34	2.35	4.84	4.51	2.39	5.00	4.91	2.40	5.33	4.92	2.43	5.50	5.32	2.44	5.83	5.30	2.46	5.99	5.29	2.48	6.16	5.64	2.49		

### □ Indoor units: 12,000 Btu + 18,000 Btu + 18,000 Btu

		Indoor temperature																									
°CDB		18			21			23			25			27			29			30			32				
°CWE		12			15			16			18			19			21			22			23				
Outdoor temperature	°CDB		TC	SHC	IP	TC	SHC	IP	TC	SHC	IP	TC	SHC	IP	TC	SHC	IP	TC	SHC	IP	TC	SHC	IP	TC	SHC	IP	
				kW			kW			kW			kW			kW			kW			kW			kW		
	0	5	10	15	20	25	30	35	40	46																	
	0	8.75	7.33	2.04	9.74	7.38	2.07	10.08	8.02	2.08	10.74	8.05	2.10	11.07	8.69	2.11	11.74	8.66	2.13	12.07	8.64	2.14	12.40	9.22	2.15		
	5	8.69	7.31	2.02	9.68	7.35	2.05	10.01	7.99	2.06	10.67	8.02	2.08	11.00	8.66	2.09	11.66	8.63	2.11	11.99	8.61	2.12	12.33	9.19	2.14		
	10	8.56	7.25	2.06	9.54	7.30	2.10	9.86	7.93	2.11	10.52	7.96	2.13	10.84	8.59	2.14	11.49	8.56	2.16	11.82	8.55	2.17	12.14	9.12	2.18		
	15	8.48	7.21	1.83	9.44	7.26	1.85	9.77	7.89	1.86	10.41	7.92	1.88	10.73	8.55	1.89	11.38	8.52	1.91	11.70	8.50	1.92	12.02	9.07	1.93		
	20	8.66	7.29	2.12	9.65	7.34	2.15	9.98	7.98	2.17	10.64	8.01	2.19	10.97	8.64	2.20	11.62	8.61	2.22	11.95	8.60	2.23	12.28	9.17	2.24		
	25	9.00	7.44	3.07	10.02	7.49	3.12	10.36	8.14	3.13	11.05	8.17	3.17	11.39	8.82	3.18	12.07	8.78	3.21	12.41	8.77	3.23	12.75	9.35	3.25		
	30	8.50	7.22	3.28	9.47	7.27	3.33	9.80	7.90	3.35	10.44	7.93	3.39	10.76	8.56	3.40	11.41	8.53	3.44	11.73	8.52	3.45	12.06	9.08	3.47		
	35	7.98	6.99	3.45	8.89	7.04	3.51	9.19	7.65	3.53	9.80	7.68	3.58	10.10	8.29	3.58	10.71	8.26	3.58	11.01	8.24	3.58	11.31	8.80	3.58		
	40	6.80	6.25	3.16	7.57	6.29	3.20	7.83	6.83	3.22	8.35	6.86	3.25	8.61	7.40	3.27	9.12	7.38	3.30	9.38	7.36	3.32	9.64	7.85	3.34		
	46	4.42	4.42	2.35	4.93	4.64	2.39	5.09	5.04	2.40	5.43	5.06	2.43	5.60	5.47	2.44	5.93	5.45	2.46	6.10	5.44	2.48	6.27	5.80	2.49		

### □ Indoor units: 7,000 Btu + 7,000 Btu + 7,000 Btu + 7,000 Btu

		Indoor temperature																									
°CDB		18			21			23			25			27			29			30			32				
°CWE		12			15			16			18			19			21			22			23				
Outdoor temperature	°CDB		TC	SHC	IP	TC	SHC	IP	TC	SHC	IP	TC	SHC	IP	TC	SHC	IP	TC	SHC	IP	TC	SHC	IP	TC	SHC	IP	
				kW			kW			kW			kW			kW			kW			kW			kW		
	0	5	10	15	20	25	30	35	40	46																	
	0	7.51	5.98	1.68	8.37	6.02	1.70	8.65	6.54	1.71	9.22	6.57	1.73	9.51	7.09	1.74	10.08	7.06	1.76	10.37	7.05	1.76	10.65	7.52	1.77		
	5	7.01	5.75	1.85	7.81	5.79	1.88	8.07	6.29	1.89	8.61	6.32	1.91	8.87	6.82	1.92	9.40	6.79	1.94	9.67	6.78	1.95	9.94	7.23	1.96		
	10	7.11	5.80	1.49	7.93	5.84	1.51	8.20	6.34	1.52	8.74	6.37	1.53	9.01	6.87	1.54	9.55	6.85	1.56	9.82	6.84	1.56	10.09	7.29	1.57		
	15	7.26	5.87	1.64	8.09	5.90	1.66	8.36	6.42	1.67	8.91	6.44	1.69	9.19	6.95	1.70	9.74	6.93	1.72	10.02	6.92	1.72	10.29	7.38	1.73		
	20	8.39	6.38	2.05	9.34	6.42	2.08	9.66	6.98	2.09	10.30	7.01	2.11	10.62	7.56	2.12	11.25	7.54	2.14	11.57	7.52	2.15	11.89	8.02	2.16		
	25	8.00	6.21	2.39	8.91	6.24	2.43	9.22	6.79	2.44	9.82	6.81	2.47	10.13	7.35												

**□ Indoor units: 7,000 Btu + 7,000 Btu + 7,000 Btu + 9,000 Btu**

		Indoor temperature																									
°CDB		18			21			23			25			27			29			30			32				
°CWE		12			15			16			18			19			21			22			23				
Outdoor temperature	°CDB	TC	SHC	IP	TC	SHC	IP	TC	SHC	IP	TC	SHC	IP	TC	SHC	IP	TC	SHC	IP	TC	SHC	IP	TC	SHC	IP		
	kW			kW			kW			kW			kW			kW			kW			kW			kW		
	0	7.40	5.88	1.74	8.24	5.92	1.77	8.52	6.43	1.78	9.08	6.46	1.80	9.37	6.97	1.81	9.93	6.94	1.83	10.21	6.93	1.83	10.49	7.40	1.84		
	5	6.91	5.67	1.91	7.70	5.70	1.94	7.96	6.20	1.95	8.49	6.22	1.97	8.75	6.72	1.98	9.28	6.69	2.00	9.54	6.68	2.01	9.80	7.13	2.02		
10	7.04	5.72	1.57	7.84	5.76	1.59	8.10	6.26	1.60	8.64	6.28	1.62	8.91	6.78	1.62	9.44	6.76	1.64	9.71	6.74	1.65	9.97	7.19	1.66			
15	7.19	5.79	1.70	8.01	5.83	1.72	8.28	6.33	1.73	8.83	6.36	1.75	9.10	6.86	1.76	9.65	6.84	1.78	9.92	6.82	1.79	10.20	7.28	1.79			
20	8.35	6.30	2.07	9.30	6.34	2.11	9.61	6.89	2.12	10.25	6.92	2.14	10.57	7.47	2.15	11.20	7.44	2.17	11.52	7.43	2.18	11.83	7.92	2.19			
25	7.94	6.12	2.44	8.84	6.16	2.48	9.14	6.69	2.50	9.74	6.72	2.52	10.04	7.25	2.53	10.65	7.23	2.56	10.95	7.21	2.57	11.25	7.69	2.58			
30	7.36	5.86	2.65	8.20	5.90	2.69	8.48	6.41	2.71	9.04	6.44	2.74	9.32	6.95	2.75	9.87	6.92	2.78	10.15	6.91	2.79	10.43	7.37	2.80			
35	7.74	6.03	3.42	8.62	6.07	3.47	8.92	6.60	3.49	9.51	6.62	3.52	9.80	7.15	3.54	10.39	7.12	3.58	10.68	7.11	3.58	10.98	7.59	3.58			
40	6.15	4.95	3.16	6.85	4.98	3.20	7.08	5.41	3.22	7.55	5.43	3.25	7.78	5.86	3.27	8.25	5.84	3.30	8.48	5.83	3.32	8.71	6.22	3.34			
46	4.06	4.05	2.35	4.52	4.07	2.39	4.68	4.42	2.40	4.99	4.44	2.43	5.14	4.79	2.44	5.45	4.78	2.46	5.60	4.77	2.48	5.76	5.09	2.49			

**□ Indoor units: 7,000 Btu + 7,000 Btu + 7,000 Btu + 12,000 Btu**

		Indoor temperature																									
°CDB		18			21			23			25			27			29			30			32				
°CWE		12			15			16			18			19			21			22			23				
Outdoor temperature	°CDB	TC	SHC	IP	TC	SHC	IP	TC	SHC	IP	TC	SHC	IP	TC	SHC	IP	TC	SHC	IP	TC	SHC	IP	TC	SHC	IP		
	kW			kW			kW			kW			kW			kW			kW			kW			kW		
	0	7.88	6.22	1.35	8.78	6.26	1.37	9.08	6.80	1.38	9.67	6.83	1.39	9.97	7.37	1.40	10.57	7.34	1.41	10.87	7.33	1.42	11.17	7.82	1.43		
	5	7.40	6.00	1.72	8.24	6.04	1.74	8.52	6.57	1.75	9.08	6.59	1.77	9.36	7.12	1.78	9.93	7.09	1.80	10.21	7.08	1.81	10.49	7.55	1.82		
10	7.54	6.07	1.78	8.40	6.11	1.81	8.68	6.63	1.81	9.26	6.66	1.83	9.54	7.19	1.84	10.11	7.16	1.86	10.40	7.15	1.87	10.69	7.63	1.88			
15	7.71	6.14	1.88	8.59	6.18	1.91	8.88	6.72	1.92	9.47	6.74	1.94	9.76	7.28	1.95	10.34	7.25	1.96	10.64	7.24	1.97	10.93	7.72	1.98			
20	8.44	6.46	2.08	9.40	6.50	2.11	9.72	7.07	2.12	10.36	7.09	2.14	10.68	7.66	2.15	11.32	7.63	2.17	11.64	7.62	2.19	11.96	8.12	2.20			
25	8.77	6.61	2.73	9.77	6.65	2.77	10.10	7.23	2.78	10.77	7.26	2.81	11.10	7.83	2.83	11.77	7.80	2.86	12.10	7.79	2.87	12.44	8.31	2.88			
30	8.15	6.34	2.95	9.08	6.38	3.00	9.39	6.93	3.01	10.01	6.96	3.04	10.32	7.51	3.06	10.94	7.48	3.09	11.25	7.47	3.11	11.56	7.97	3.12			
35	7.82	6.19	3.42	8.71	6.23	3.47	9.01	6.77	3.49	9.60	6.80	3.52	9.90	7.34	3.54	10.49	7.31	3.58	10.79	7.30	3.58	11.09	7.78	3.58			
40	6.23	5.16	3.16	6.94	5.20	3.20	7.18	5.65	3.22	7.65	5.67	3.25	7.89	6.12	3.27	8.36	6.10	3.30	8.60	6.08	3.32	8.84	6.49	3.34			
46	4.12	4.12	2.35	4.59	4.17	2.39	4.75	4.53	2.40	5.06	4.54	2.43	5.22	4.91	2.44	5.53	4.89	2.46	5.69	4.88	2.48	5.84	5.21	2.49			

**□ Indoor units: 7,000 Btu + 7,000 Btu + 7,000 Btu + 14,000 Btu**

		Indoor temperature																									
°CDB		18			21			23			25			27			29			30			32				
°CWE		12			15			16			18			19			21			22			23				
Outdoor temperature	°CDB	TC	SHC	IP	TC	SHC	IP	TC	SHC	IP	TC	SHC	IP	TC	SHC	IP	TC	SHC	IP	TC	SHC	IP	TC	SHC	IP		
	kW			kW			kW			kW			kW			kW			kW			kW			kW		
	0	7.82	6.26	1.42	8.71	6.30	1.44	9.00	6.85	1.45	9.60	6.87	1.46	9.89	7.42	1.47	10.49	7.39	1.48	10.78	7.38	1.49	11.08	7.87	1.50		
	5	7.37	6.06	1.73	8.21	6.10	1.76	8.49	6.63	1.77	9.05	6.66	1.79	9.33	7.19	1.80	9.89	7.16	1.82	10.17	7.15	1.82	10.45	7.63	1.83		
10	7.51	6.12	1.86	8.36	6.16	1.88	8.65	6.70	1.89	9.22	6.72	1.91	9.50	7.26	1.92	10.07	7.23	1.94	10.36	7.22	1.95	10.64	7.70	1.96			
15	8.04	6.36	2.02	8.96	6.40	2.05	9.26	6.95	2.07	9.87	6.98	2.09	10.18	7.54	2.10	10.79	7.51	2.12	11.09	7.49	2.13	11.40	8.00	2.14			
20	8.44	6.53	2.09	9.40	6.58	2.12	9.72	7.15	2.14	10.36	7.17	2.16	10.68	7.74	2.17	11.32	7.72	2.19	11.65	7.70	2.20	11.97	8.22	2.21			
25	8.74	6.67	2.77	9.74	6.71	2.81	10.07	7.29	2.83	10.73	7.32	2.86	11.06	7.90	2.87	11.73	7.87	2.90	12.06	7.86	2.91	12.39	8.38	2.93			
30	8.13	6.40	2.99	9.06	6.44	3.04	9.37	7.00	3.05	9.99	7.03	3.09	10.30	7.58	3.10	10.91	7.56	3.13	11.22	7.54	3.15	11.53	8.05	3.16			
35	7.82	6.26	3.44	8.71	6.30	3.49	9.01	6.85	3.51	9.60	6.88	3.54	9.90	7.42	3.56	10.49	7.39	3.58	10.79	7.38	3.58	11.09	7.87	3.58			
40	6.31	5.31	3.16	7.03	5.34	3.20	7.27	5.80	3.22	7.75	5.83	3.25	7.99	6.29	3.27	8.47	6.27	3.30	8.71	6.26	3.32	8.95	6.67	3.34			
46	4.16	4.16	2.35	4.64	4.23	2.39	4.79	4.60	2.40	5.11	4.61	2.43	5.27	4.98	2.44	5.58	4.96	2.46	5.74	4.95	2.48	5.90	5.28	2.49			

**□ Indoor units: 7,000 Btu + 7,000 Btu + 7,000 Btu + 18,000 Btu**

		Indoor temperature																									
°CDB		18			21			23			25			27			29			30			32				
°CWE		12			15			16			18			19			21			22			23				
Outdoor temperature	°CDB	TC	SHC	IP	TC	SHC	IP	TC	SHC	IP	TC	SHC	IP	TC	SHC	IP	TC	SHC	IP	TC	SHC	IP	TC	SHC	IP		
	kW			kW			kW			kW			kW			kW			kW			kW			kW		
	0	8.25	6.98	1.60	9.19	7.02	1.63	9.50	7.63	1.64	10.13	7.66	1.65	10.44	8.27	1.66	11.07	8.24	1.68	11.38	8.23	1.69	11.69	8.78	1.69		
	5	7.87	6.81	1.83	8.77	6.85	1.86	9.07	7.44	1.87	9.66	7.47	1.88	9.96	8.07	1.89	10.56	8.04	1.91	10.86	8.02	1.92	11.16	8.56	1.93		
10	7.98	6.85	1.89	8.89	6.90	1.92	9.19	7.50	1.93	9.79	7.53	1.95	10.10	8.12	1.96	10.70	8.09	1.98	11.01	8.08	1.99	11.31	8.62	2.00			
15	8.74	7.20	2.27	9.73	7.25	2.30	10.06	7.88	2.31	10.73	7.91	2.34	11.06	8.54	2.35	11.72	8.50	2.37	12.05	8.49	2.39	12.38	9.06	2.40			
20	8.62	7.15	2.09	9.60	7.20	2.12	9.93	7.82	2.14	10.59	7.85	2.16	10.91	8.47	2.17	11.57	8.44	2.19	11.90	8.43	2.20	12.22	8.99	2.21			
25	9.19	7.41	2.92	10.24	7.46	2.97	10.59	8.10	2.98	11.28	8.14	3.01	11.63	8.78	3.03	12.33	8.75	3.06	12.68	8.73	3.07	13.03	9.32	3.09			
30	8.58	7.13	3.15	9.56	7.18	3.20	9.89	7.80	3.21	10.54	7.83	3.25	10.87	8.45	3.26	11.52	8.42	3.29	11.84	8.41	3.31	12.17	8.97	3.33			
35	7.98	6.86	3.43	8.89	6.90	3.48	9.19	7.50	3.50	9.80	7.53	3.53	10.10	8.12	3.55	10.71	8.10	3.58	11.01	8.08	3.58	11.31	8.62	3.58			
40	6.46	5.60	3.16	7.20	5.63	3.20	7.44	6.12	3.22	7.93	6.14	3.25	8.18	6.63	3.27	8.67	6.61	3.30	8.91	6.60	3.32	9.16	7.04	3.34			
46	4.24	4.24	2.35	4.72	4.36	2.39	4.89	4.73	2.40	5.21	4.75	2.43	5.37	5.13	2.44	5.69	5.11	2.46	5.85	5.10	2.48	6.01	5.44	2.49			

### ☐ Indoor units: 7,000 Btu + 7,000 Btu + 9,000 Btu + 9,000 Btu

		Indoor temperature																													
		18			21			23			25			27			29			30			32								
		12			15			16			18			19			21			22			23								
Outdoor temperature	°CDB	TC	SHC	IP	TC	SHC	IP	TC	SHC	IP	TC	SHC	IP	TC	SHC	IP	TC	SHC	IP	TC	SHC	IP	TC	SHC	IP	TC	SHC	IP			
	°CWE	kW			kW			kW			kW			kW			kW			kW			kW			kW			kW		
	0	7.25	6.02	1.20	8.08	6.06	1.21	8.36	6.58	1.22	8.91	6.61	1.23	9.18	7.13	1.24	9.73	7.11	1.25	10.01	7.09	1.26	10.28	7.57	1.26						
	5	6.80	5.81	1.55	7.57	5.85	1.57	7.83	6.36	1.58	8.35	6.38	1.60	8.61	6.89	1.61	9.12	6.86	1.62	9.38	6.85	1.63	9.64	7.31	1.64						
10	6.93	5.87	1.58	7.72	5.91	1.60	7.98	6.42	1.61	8.50	6.44	1.62	8.77	6.96	1.63	9.29	6.93	1.65	9.56	6.92	1.66	9.82	7.38	1.67							
15	7.57	6.16	1.79	8.44	6.20	1.82	8.72	6.74	1.83	9.30	6.77	1.85	9.59	7.30	1.86	10.16	7.28	1.88	10.45	7.26	1.89	10.74	7.75	1.90							
20	8.26	6.48	2.01	9.21	6.52	2.04	9.52	7.08	2.05	10.15	7.11	2.07	10.46	7.68	2.08	11.09	7.65	2.10	11.40	7.63	2.11	11.72	8.14	2.12							
25	8.61	6.63	2.62	9.59	6.68	2.66	9.92	7.25	2.68	10.57	7.28	2.70	10.90	7.86	2.72	11.55	7.83	2.75	11.88	7.82	2.76	12.21	8.34	2.77							
30	8.00	6.35	2.84	8.91	6.40	2.89	9.21	6.95	2.90	9.82	6.98	2.93	10.12	7.53	2.94	10.73	7.50	2.97	11.03	7.49	2.99	11.34	7.99	3.00							
35	7.66	6.20	3.30	8.54	6.24	3.35	8.83	6.78	3.37	9.41	6.81	3.40	9.70	7.35	3.42	10.28	7.33	3.45	10.57	7.31	3.47	10.86	7.80	3.49							
40	6.20	5.09	3.16	6.90	5.12	3.20	7.14	5.57	3.22	7.61	5.59	3.25	7.84	6.03	3.27	8.31	6.01	3.30	8.55	6.00	3.32	8.79	6.40	3.34							
46	4.10	4.10	2.35	4.57	4.13	2.39	4.72	4.49	2.40	5.03	4.51	2.43	5.19	4.87	2.44	5.50	4.85	2.46	5.66	4.84	2.48	5.81	5.17	2.49							

### ☐ Indoor units: 7,000 Btu + 7,000 Btu + 9,000 Btu + 12,000 Btu

		Indoor temperature																										
		18			21			23			25			27			29			30			32					
		12			15			16			18			19			21			22			23					
Outdoor temperature	°CDB	TC	SHC	IP	TC	SHC	IP	TC	SHC	IP	TC	SHC	IP	TC	SHC	IP	TC	SHC	IP	TC	SHC	IP	TC	SHC	IP	TC	SHC	IP
	°CWE	kW			kW			kW			kW			kW			kW			kW			kW			kW		
	0	7.82	6.26	1.41	8.71	6.30	1.44	9.00	6.85	1.44	9.60	6.87	1.46	9.89	7.42	1.46	10.49	7.39	1.48	10.78	7.38	1.49	11.08	7.87	1.49			
	5	7.37	6.06	1.73	8.21	6.10	1.76	8.49	6.63	1.77	9.05	6.66	1.78	9.33	7.19	1.79	9.89	7.16	1.81	10.17	7.15	1.82	10.45	7.63	1.83			
10	7.51	6.12	1.85	8.36	6.16	1.88	8.65	6.70	1.89	9.22	6.72	1.91	9.50	7.26	1.92	10.07	7.23	1.94	10.36	7.22	1.95	10.64	7.70	1.96				
15	8.04	6.36	2.02	8.96	6.40	2.05	9.26	6.95	2.06	9.87	6.98	2.08	10.18	7.54	2.09	10.79	7.51	2.11	11.09	7.49	2.12	11.40	8.00	2.13				
20	8.44	6.53	2.09	9.40	6.58	2.12	9.72	7.15	2.13	10.36	7.17	2.15	10.68	7.74	2.16	11.32	7.72	2.18	11.65	7.70	2.19	11.97	8.22	2.21				
25	8.74	6.67	2.76	9.74	6.71	2.80	10.07	7.29	2.82	10.73	7.32	2.85	11.06	7.90	2.86	11.73	7.87	2.89	12.06	7.86	2.90	12.39	8.38	2.92				
30	8.13	6.40	2.98	9.06	6.44	3.03	9.37	7.00	3.05	9.99	7.03	3.08	10.30	7.58	3.09	10.91	7.56	3.12	11.22	7.54	3.14	11.53	8.05	3.15				
35	7.82	6.26	3.43	8.71	6.30	3.48	9.01	6.85	3.50	9.60	6.88	3.53	9.90	7.42	3.55	10.49	7.39	3.58	10.79	7.38	3.58	11.09	7.87	3.58				
40	6.31	5.31	3.16	7.03	5.34	3.20	7.27	5.80	3.22	7.75	5.83	3.25	7.99	6.29	3.27	8.47	6.27	3.30	8.71	6.26	3.32	8.95	6.67	3.34				
46	4.16	4.16	2.35	4.64	4.23	2.39	4.79	4.60	2.40	5.11	4.61	2.43	5.27	4.98	2.44	5.58	4.96	2.46	5.74	4.95	2.48	5.90	5.28	2.49				

### ☐ Indoor units: 7,000 Btu + 7,000 Btu + 9,000 Btu + 14,000 Btu

		Indoor temperature																										
		18			21			23			25			27			29			30			32					
		12			15			16			18			19			21			22			23					
Outdoor temperature	°CDB	TC	SHC	IP	TC	SHC	IP	TC	SHC	IP	TC	SHC	IP	TC	SHC	IP	TC	SHC	IP	TC	SHC	IP	TC	SHC	IP	TC	SHC	IP
	°CWE	kW			kW			kW			kW			kW			kW			kW			kW			kW		
	0	8.22	6.54	1.55	9.15	6.58	1.57	9.47	7.15	1.58	10.09	7.18	1.60	10.40	7.75	1.61	11.03	7.72	1.62	11.34	7.71	1.63	11.65	8.23	1.64			
	5	7.79	6.35	1.83	8.68	6.40	1.86	8.97	6.95	1.87	9.57	6.98	1.89	9.86	7.53	1.90	10.45	7.50	1.92	10.75	7.49	1.93	11.05	7.99	1.93			
10	7.92	6.41	2.02	8.82	6.45	2.05	9.12	7.01	2.06	9.73	7.04	2.09	10.03	7.60	2.10	10.63	7.57	2.12	10.93	7.56	2.13	11.23	8.06	2.14				
15	8.70	6.75	2.23	9.69	6.80	2.27	10.02	7.38	2.28	10.68	7.41	2.30	11.01	8.00	2.31	11.67	7.97	2.34	12.00	7.96	2.35	12.33	8.49	2.36				
20	8.53	6.68	2.10	9.50	6.72	2.13	9.83	7.30	2.14	10.47	7.33	2.17	10.80	7.91	2.18	11.45	7.89	2.20	11.77	7.87	2.21	12.09	8.40	2.22				
25	9.14	6.94	2.91	10.18	6.99	2.96	10.52	7.59	2.97	11.22	7.62	3.00	11.56	8.23	3.02	12.26	8.20	3.05	12.61	8.18	3.06	12.95	8.73	3.08				
30	8.52	6.67	3.14	9.49	6.72	3.19	9.81	7.30	3.21	10.46	7.33	3.24	10.78	7.91	3.26	11.43	7.88	3.29	11.75	7.87	3.30	12.08	8.39	3.32				
35	7.90	6.40	3.45	8.80	6.44	3.51	9.10	7.00	3.53	9.70	7.03	3.58	10.00	7.59	3.58	10.60	7.56	3.58	10.90	7.55	3.58	11.20	8.05	3.58				
40	6.39	5.45	3.16	7.11	5.49	3.20	7.36	5.96	3.22	7.84	5.99	3.25	8.08	6.46	3.27	8.57	6.44	3.30	8.81	6.43	3.32	9.05	6.85	3.34				
46	4.20	4.20	2.35	4.68	4.29	2.39	4.84	4.66	2.40	5.16	4.68	2.43	5.32	5.06	2.44	5.64	5.04	2.46	5.80	5.03	2.48	5.96	5.36	2.49				

### ☐ Indoor units: 7,000 Btu + 7,000 Btu + 9,000 Btu + 18,000 Btu

		Indoor temperature																										
		18			21			23			25			27			29			30			32					
		12			15			16			18			19			21			22			23					
Outdoor temperature	°CDB	TC	SHC	IP	TC	SHC	IP	TC	SHC	IP	TC	SHC	IP	TC	SHC	IP	TC	SHC	IP	TC	SHC	IP	TC	SHC	IP	TC	SHC	IP
	°CWE	kW			kW			kW			kW			kW			kW			kW			kW			kW		
	0	8.84	7.01	1.79	9.84	7.06	1.82	10.18	7.67	1.83	10.85	7.70	1.85	11.19	8.31	1.86	11.86	8.28	1.87	12.19	8.27	1.88	12.53	8.82	1.89			
	5	8.50	6.86	1.98	9.46	6.91	2.01	9.79	7.51	2.02	10.43	7.54	2.04	10.75	8.14	2.05	11.40	8.11	2.07	11.72	8.09	2.08	12.04	8.63	2.09			
10	8.57	6.90	2.04	9.55	6.94	2.07	9.88	7.54	2.08	10.53	7.57	2.10	10.85	8.18	2.11	11.50	8.15	2.13	11.83	8.13	2.14	12.15	8.67	2.15				
15	8.68	6.95	1.81	9.67	6.99	1.84	10.00	7.60	1.85	10.66	7.63	1.87	10.99	8.23	1.88	11.65	8.20	1.90	11.98	8.19	1.91	12.31	8.73	1.92				
20	8.63	6.92	2.09	9.61	6.97	2.13	9.94	7.57	2.14	10.60	7.60	2.16	10.92	8.20	2.17	11.58	8.18	2.19	11.91	8.16	2.20	12.23	8.71	2.21				
25	9.15	7.15	2.95	10.19	7.20	3.00	10.54	7.82	3.01	11.23	7.85	3.04	11.58	8.47	3.06	12.28	8.44	3.09	12.62	8.43	3.10	12.97	8.99	3.12				
30	8.57	6.90	3.17	9.54	6.94	3.22	9.87	7.54	3.24	10.52	7.57	3.27	10.84	8.17	3.29	11.49	8.14	3.32	11.82	8.13	3.34	12.14	8.67	3.35				
35	7.98	6.64	3.43	8.89	6.68	3.48	9.19	7.26	3.50	9.80	7.29	3.53	10.10	7.87	3.55	10.71	7.84	3.58	11.01	7.83	3.58	11.31	8.35	3.58				
40	6.54	5.74	3.16	7.28	5.78	3.20	7.53	6.28	3.22	8.03	6.30	3.25	8.27	6.80	3.27	8.77	6.78	3.30	9.02	6.77	3.32	9.27	7.22	3.34				
46	4.28	4.28	2.35	4.77	4.42	2.39	4.93	4.80	2.40	5.26	4.82	2.43	5.42	5.20	2.44	5.75	5.19	2.46	5.91	5.18	2.48	6.07	5.52	2.49				



Indoor units: 7,000 Btu + 7,000 Btu + 12,000 Btu + 12,000 Btu

	Indoor temperature																									
	18			21			23			25			27			29			30			32				
	12			15			16			18			19			21			22			23				
Outdoor temperature	°CDB			°CDB			°CDB			°CDB			°CDB			°CDB			°CDB			°CDB				
	TC	SHC	IP	TC	SHC	IP	TC	SHC	IP	TC	SHC	IP	TC	SHC	IP	TC	SHC	IP	TC	SHC	IP	TC	SHC	IP	TC	SHC
	kW			kW			kW			kW			kW			kW			kW			kW				
0	8.19	6.65	1.57	9.12	6.69	1.60	9.44	7.27	1.61	10.06	7.30	1.62	10.37	7.88	1.63	10.99	7.85	1.65	11.30	7.83	1.65	11.61	8.36	1.66		
5	7.79	6.47	1.82	8.68	6.51	1.85	8.97	7.07	1.86	9.57	7.10	1.88	9.86	7.67	1.89	10.45	7.64	1.91	10.75	7.63	1.92	11.04	8.13	1.93		
10	7.91	6.52	2.05	8.81	6.56	2.08	9.11	7.13	2.09	9.71	7.16	2.11	10.01	7.73	2.12	10.61	7.70	2.14	10.91	7.69	2.15	11.21	8.20	2.16		
15	8.67	6.86	2.24	9.66	6.90	2.28	9.99	7.50	2.29	10.65	7.53	2.31	10.98	8.13	2.33	11.64	8.10	2.35	11.97	8.09	2.36	12.30	8.63	2.37		
20	8.53	6.80	2.09	9.51	6.84	2.12	9.83	7.43	2.13	10.48	7.46	2.16	10.80	8.06	2.17	11.45	8.03	2.19	11.77	8.01	2.20	12.10	8.55	2.21		
25	9.12	7.06	2.91	10.16	7.10	2.95	10.50	7.72	2.97	11.20	7.75	3.00	11.54	8.36	3.02	12.23	8.33	3.05	12.58	8.32	3.06	12.93	8.87	3.08		
30	8.51	6.79	3.14	9.48	6.83	3.18	9.80	7.42	3.20	10.45	7.45	3.23	10.77	8.04	3.25	11.42	8.01	3.28	11.74	8.00	3.30	12.06	8.53	3.31		
35	7.90	6.52	3.43	8.80	6.56	3.48	9.10	7.13	3.50	9.70	7.16	3.53	10.00	7.72	3.55	10.60	7.70	3.58	10.90	7.68	3.58	11.20	8.20	3.58		
40	6.42	5.52	3.16	7.15	5.56	3.20	7.40	6.04	3.22	7.89	6.06	3.25	8.13	6.55	3.27	8.62	6.52	3.30	8.86	6.51	3.32	9.11	6.95	3.34		
46	4.22	4.22	2.35	4.70	4.32	2.39	4.86	4.70	2.40	5.18	4.72	2.43	5.34	5.09	2.44	5.66	5.07	2.46	5.82	5.06	2.48	5.98	5.40	2.49		

Indoor units: 7,000 Btu + 7,000 Btu + 12,000 Btu + 14,000 Btu

	Indoor temperature																									
	18			21			23			25			27			29			30			32				
	12			15			16			18			19			21			22			23				
Outdoor temperature	°CDB			°CDB			°CDB			°CDB			°CDB			°CDB			°CDB			°CDB				
	TC	SHC	IP	TC	SHC	IP	TC	SHC	IP	TC	SHC	IP	TC	SHC	IP	TC	SHC	IP	TC	SHC	IP	TC	SHC	IP	TC	SHC
	kW			kW			kW			kW			kW			kW			kW			kW				
0	8.15	6.64	1.64	9.07	6.68	1.67	9.38	7.26	1.68	10.00	7.29	1.69	10.31	7.86	1.70	10.93	7.84	1.72	11.24	7.82	1.73	11.55	8.34	1.74		
5	7.80	6.48	1.84	8.69	6.53	1.87	8.98	7.09	1.88	9.58	7.12	1.90	9.87	7.69	1.91	10.47	7.66	1.93	10.76	7.64	1.94	11.06	8.15	1.95		
10	7.89	6.52	1.90	8.79	6.57	1.93	9.09	7.13	1.94	9.69	7.16	1.96	9.99	7.73	1.97	10.59	7.70	1.99	10.89	7.69	2.00	11.19	8.20	2.01		
15	8.62	6.84	2.30	9.61	6.89	2.34	9.93	7.49	2.35	10.59	7.51	2.38	10.92	8.11	2.39	11.57	8.08	2.41	11.90	8.07	2.42	12.23	8.61	2.44		
20	8.54	6.81	2.10	9.51	6.85	2.14	9.84	7.45	2.15	10.49	7.47	2.17	10.81	8.07	2.18	11.46	8.04	2.20	11.78	8.03	2.21	12.11	8.56	2.22		
25	9.08	7.04	2.95	10.11	7.09	3.00	10.46	7.70	3.01	11.15	7.73	3.04	11.49	8.35	3.06	12.18	8.32	3.09	12.53	8.30	3.11	12.87	8.86	3.12		
30	8.49	6.79	3.18	9.46	6.83	3.23	9.78	7.42	3.24	10.42	7.45	3.28	10.75	8.04	3.29	11.39	8.01	3.33	11.71	8.00	3.34	12.04	8.53	3.36		
35	7.90	6.53	3.45	8.80	6.57	3.51	9.10	7.14	3.53	9.70	7.17	3.58	10.00	7.74	3.58	10.60	7.71	3.58	10.90	7.70	3.58	11.20	8.21	3.58		
40	6.50	5.67	3.16	7.24	5.70	3.20	7.49	6.20	3.22	7.98	6.22	3.25	8.23	6.72	3.27	8.72	6.69	3.30	8.97	6.68	3.32	9.21	7.13	3.34		
46	4.26	4.26	2.35	4.75	4.39	2.39	4.91	4.77	2.40	5.23	4.79	2.43	5.39	5.17	2.44	5.72	5.15	2.46	5.88	5.14	2.48	6.04	5.48	2.49		

Indoor units: 7,000 Btu + 7,000 Btu + 12,000 Btu + 18,000 Btu

	Indoor temperature																									
	18			21			23			25			27			29			30			32				
	12			15			16			18			19			21			22			23				
Outdoor temperature	°CDB			°CDB			°CDB			°CDB			°CDB			°CDB			°CDB			°CDB				
	TC	SHC	IP	TC	SHC	IP	TC	SHC	IP	TC	SHC	IP	TC	SHC	IP	TC	SHC	IP	TC	SHC	IP	TC	SHC	IP	TC	SHC
	kW			kW			kW			kW			kW			kW			kW			kW				
0	8.79	7.14	1.89	9.79	7.18	1.92	10.12	7.80	1.93	10.79	7.83	1.95	11.12	8.46	1.96	11.79	8.43	1.98	12.12	8.41	1.99	12.46	8.97	2.00		
5	8.56	7.03	1.99	9.53	7.08	2.02	9.85	7.69	2.03	10.50	7.72	2.06	10.83	8.34	2.07	11.48	8.31	2.09	11.80	8.29	2.10	12.13	8.85	2.11		
10	8.56	7.04	2.05	9.53	7.08	2.08	9.86	7.70	2.09	10.51	7.73	2.11	10.83	8.34	2.12	11.48	8.31	2.14	11.81	8.29	2.15	12.13	8.85	2.16		
15	8.60	7.05	1.82	9.58	7.10	1.85	9.90	7.71	1.86	10.56	7.74	1.87	10.88	8.36	1.88	11.54	8.33	1.90	11.86	8.31	1.91	12.19	8.87	1.92		
20	8.64	7.07	2.10	9.63	7.12	2.14	9.96	7.74	2.15	10.61	7.77	2.17	10.94	8.38	2.18	11.60	8.35	2.20	11.92	8.34	2.21	12.25	8.89	2.22		
25	9.09	7.27	3.00	10.12	7.31	3.05	10.47	7.95	3.06	11.16	7.98	3.09	11.50	8.61	3.11	12.19	8.58	3.14	12.54	8.57	3.15	12.88	9.14	3.17		
30	8.54	7.03	3.22	9.51	7.07	3.27	9.84	7.69	3.28	10.49	7.72	3.32	10.81	8.33	3.33	11.46	8.30	3.37	11.78	8.28	3.38	12.11	8.84	3.40		
35	7.98	6.78	3.44	8.89	6.83	3.49	9.19	7.42	3.51	9.80	7.45	3.54	10.10	8.04	3.56	10.71	8.01	3.58	11.01	8.00	3.58	11.31	8.53	3.58		
40	6.65	5.96	3.16	7.41	6.00	3.20	7.66	6.52	3.22	8.16	6.54	3.25	8.42	7.06	3.27	8.92	7.04	3.30	9.17	7.02	3.32	9.43	7.49	3.34		
46	4.34	4.34	2.35	4.84	4.51	2.39	5.00	4.91	2.40	5.33	4.92	2.43	5.50	5.32	2.44	5.83	5.30	2.46	5.99	5.29	2.48	6.16	5.64	2.49		

Indoor units: 7,000 Btu + 7,000 Btu + 14,000 Btu + 14,000 Btu

	Indoor temperature																									
	18			21			23			25			27			29			30			32				
	12			15			16			18			19			21			22			23				
Outdoor temperature	°CDB			°CDB			°CDB			°CDB			°CDB			°CDB			°CDB			°CDB				
	TC	SHC	IP	TC	SHC	IP	TC	SHC	IP	TC	SHC	IP	TC	SHC	IP	TC	SHC	IP	TC	SHC	IP	TC	SHC	IP	TC	SHC
	kW			kW			kW			kW			kW			kW			kW			kW				
0	8.82	7.05	1.84	9.82	7.10	1.87	10.16	7.71	1.88	10.83	7.74	1.90	11.16	8.36	1.91	11.83	8.33	1.93	12.17	8.31	1.93	12.50	8.87	1.94		
5	8.51	6.92	2.00	9.48	6.96	2.03	9.80	7.57	2.04	10.45	7.60	2.06	10.77	8.20	2.07	11.42	8.17	2.09	11.74	8.15	2.10	12.07	8.70	2.11		
10	8.57	6.94	2.06	9.54	6.99	2.09	9.87	7.59	2.10	10.52	7.62	2.12	10.84	8.23	2.13	11.49	8.20	2.15	11.82	8.18	2.16	12.15	8.73	2.17		
15	8.66	6.98	1.83	9.64	7.03	1.86	9.97	7.63	1.87	10.63	7.66	1.89	10.96	8.27	1.90	11.61	8.24	1.91	11.94	8.23	1.92	12.27	8.78	1.93		
20	8.63	6.97	2.11	9.62	7.02	2.15	9.95	7.62	2.16	10.60	7.65	2.18	10.93	8.26	2.19	11.58	8.23	2.21	11.91	8.22	2.22	12.24	8.77	2.23		
25	9.13	7.19	2.99	10.17	7.23	3.04	10.52	7.86	3.05	11.21	7.89	3.08	11.56	8.52	3.10	12.25	8.49	3.13	12.60	8.47	3.14	12.94	9.04	3.16		
30	8.56	6.94	3.21	9.53	6.98	3.26	9.86	7.59	3.28	10.51	7.62	3.31	10.83	8.22	3.33	11.48	8.19	3.36	11.81	8.18	3.38	12.13	8.72	3.39		
35	7.98	6.69	3.45	8.89	6.73	3.51	9.19	7.31	3.53	9.80	7.34	3.58	10.10	7.92	3.58	10.71	7.89	3.58	11.01	7.88	3.58	11.31	8.41	3.58		
40	6.57	5.81	3.16	7.32	5.85	3.20	7.57	6.36	3.22	8.07	6.38	3.25	8.32	6.89	3.27	8.82	6.86	3.30	9.07	6.85	3.32	9.32	7.31	3.34		
46	4.30	4.30	2.35	4.79	4.45	2.39	4.96	4.84	2.40	5.28	4.86	2.43	5.45	5.24	2.44	5.77	5.22	2.46	5.94	5.21	2.48	6.10	5.56	2.49		

**Indoor units: 7,000 Btu + 7,000 Btu + 14,000 Btu + 18,000 Btu**

		Indoor temperature																										
°CDB		18			21			23			25			27			29			30			32					
°CWE		12			15			16			18			19			21			22			23					
Outdoor temperature	°CDB	TC	SHC	IP	TC	SHC	IP	TC	SHC	IP	TC	SHC	IP	TC	SHC	IP	TC	SHC	IP	TC	SHC	IP	TC	SHC	IP	TC	SHC	IP
		kW			kW			kW			kW			kW			kW			kW			kW			kW		
	0	8.76	7.23	1.97	9.76	7.27	2.00	10.09	7.90	2.01	10.76	7.94	2.03	11.09	8.57	2.04	11.76	8.53	2.06	12.09	8.52	2.07	12.42	9.09	2.08			
5	8.62	7.16	2.01	9.60	7.21	2.04	9.92	7.83	2.05	10.58	7.87	2.07	10.91	8.49	2.09	11.56	8.46	2.11	11.89	8.44	2.12	12.22	9.01	2.13				
10	8.56	7.14	2.06	9.53	7.18	2.09	9.86	7.81	2.10	10.51	7.84	2.13	10.83	8.46	2.14	11.48	8.43	2.16	11.81	8.41	2.17	12.13	8.98	2.18				
15	8.54	7.13	1.83	9.51	7.18	1.85	9.84	7.80	1.86	10.48	7.83	1.88	10.81	8.45	1.89	11.46	8.42	1.91	11.78	8.41	1.92	12.11	8.97	1.93				
20	8.65	7.18	2.12	9.64	7.23	2.15	9.97	7.85	2.16	10.62	7.88	2.18	10.95	8.51	2.20	11.61	8.48	2.22	11.94	8.46	2.23	12.27	9.03	2.24				
25	9.04	7.35	3.04	10.07	7.40	3.09	10.42	8.04	3.11	11.10	8.07	3.14	11.45	8.71	3.15	12.13	8.68	3.18	12.48	8.66	3.20	12.82	9.24	3.22				
30	8.52	7.12	3.26	9.49	7.17	3.31	9.82	7.79	3.33	10.46	7.82	3.36	10.79	8.44	3.38	11.43	8.41	3.41	11.76	8.40	3.43	12.08	8.96	3.44				
35	7.98	6.89	3.45	8.89	6.93	3.51	9.19	7.53	3.53	9.80	7.56	3.58	10.10	8.16	3.58	10.71	8.13	3.58	11.01	8.12	3.58	11.31	8.66	3.58				
40	6.72	6.10	3.16	7.49	6.14	3.20	7.75	6.67	3.22	8.26	6.70	3.25	8.51	7.23	3.27	9.02	7.21	3.30	9.28	7.19	3.32	9.53	7.67	3.34				
46	4.38	4.38	2.35	4.88	4.58	2.39	5.05	4.97	2.40	5.38	4.99	2.43	5.55	5.39	2.44	5.88	5.37	2.46	6.05	5.36	2.48	6.21	5.72	2.49				

**Indoor units: 7,000 Btu + 9,000 Btu + 9,000 Btu + 9,000 Btu**

		Indoor temperature																										
°CDB		18			21			23			25			27			29			30			32					
°CWE		12			15			16			18			19			21			22			23					
Outdoor temperature	°CDB	TC	SHC	IP	TC	SHC	IP	TC	SHC	IP	TC	SHC	IP	TC	SHC	IP	TC	SHC	IP	TC	SHC	IP	TC	SHC	IP	TC	SHC	IP
		kW			kW			kW			kW			kW			kW			kW			kW			kW		
	0	7.85	6.24	1.39	8.74	6.28	1.41	9.04	6.82	1.42	9.63	6.85	1.43	9.93	7.39	1.44	10.53	7.37	1.45	10.83	7.35	1.46	11.12	7.84	1.47			
5	7.38	6.03	1.73	8.22	6.07	1.76	8.50	6.60	1.77	9.06	6.62	1.78	9.34	7.15	1.79	9.91	7.12	1.81	10.19	7.11	1.82	10.47	7.59	1.83				
10	7.52	6.09	1.82	8.38	6.13	1.85	8.66	6.66	1.86	9.24	6.69	1.88	9.52	7.22	1.89	10.09	7.20	1.91	10.38	7.18	1.92	10.66	7.66	1.93				
15	8.06	6.33	2.00	8.98	6.37	2.03	9.29	6.92	2.04	9.90	6.95	2.06	10.21	7.50	2.07	10.82	7.48	2.09	11.12	7.46	2.11	11.43	7.96	2.12				
20	8.44	6.50	2.09	9.40	6.54	2.12	9.72	7.11	2.13	10.36	7.13	2.16	10.68	7.70	2.17	11.32	7.67	2.19	11.64	7.66	2.20	11.96	8.17	2.21				
25	8.76	6.64	2.76	9.75	6.68	2.80	10.09	7.26	2.81	10.75	7.29	2.84	11.08	7.87	2.86	11.75	7.84	2.88	12.08	7.82	2.90	12.41	8.35	2.91				
30	8.14	6.37	2.98	9.07	6.41	3.03	9.38	6.96	3.04	10.00	6.99	3.07	10.31	7.55	3.09	10.93	7.52	3.12	11.23	7.50	3.13	11.54	8.01	3.15				
35	7.82	6.23	3.44	8.71	6.27	3.49	9.01	6.81	3.51	9.60	6.84	3.54	9.90	7.38	3.56	10.49	7.35	3.58	10.79	7.34	3.58	11.09	7.83	3.58				
40	6.27	5.23	3.16	6.99	5.27	3.20	7.22	5.72	3.22	7.70	5.75	3.25	7.94	6.20	3.27	8.42	6.18	3.30	8.65	6.17	3.32	8.89	6.58	3.34				
46	4.14	4.14	2.35	4.61	4.20	2.39	4.77	4.56	2.40	5.08	4.58	2.43	5.24	4.94	2.44	5.56	4.93	2.46	5.71	4.92	2.48	5.87	5.24	2.49				

**Indoor units: 7,000 Btu + 9,000 Btu + 9,000 Btu + 12,000 Btu**

		Indoor temperature																										
°CDB		18			21			23			25			27			29			30			32					
°CWE		12			15			16			18			19			21			22			23					
Outdoor temperature	°CDB	TC	SHC	IP	TC	SHC	IP	TC	SHC	IP	TC	SHC	IP	TC	SHC	IP	TC	SHC	IP	TC	SHC	IP	TC	SHC	IP	TC	SHC	IP
		kW			kW			kW			kW			kW			kW			kW			kW			kW		
	0	8.22	6.54	1.55	9.15	6.58	1.57	9.47	7.15	1.58	10.09	7.18	1.59	10.40	7.75	1.60	11.03	7.72	1.62	11.34	7.71	1.63	11.65	8.23	1.63			
5	7.79	6.35	1.83	8.68	6.40	1.85	8.97	6.95	1.86	9.57	6.98	1.88	9.86	7.53	1.89	10.45	7.50	1.91	10.75	7.49	1.92	11.05	7.99	1.93				
10	7.92	6.41	2.02	8.82	6.45	2.05	9.12	7.01	2.06	9.73	7.04	2.08	10.03	7.60	2.09	10.63	7.57	2.11	10.93	7.56	2.12	11.23	8.06	2.13				
15	8.70	6.75	2.23	9.69	6.80	2.26	10.02	7.38	2.27	10.68	7.41	2.30	11.01	8.00	2.31	11.67	7.97	2.33	12.00	7.96	2.34	12.33	8.49	2.35				
20	8.53	6.68	2.10	9.50	6.72	2.13	9.83	7.30	2.14	10.47	7.33	2.16	10.80	7.91	2.17	11.45	7.89	2.19	11.77	7.87	2.20	12.09	8.40	2.21				
25	9.14	6.94	2.90	10.18	6.99	2.95	10.52	7.59	2.96	11.22	7.62	2.99	11.56	8.23	3.01	12.26	8.20	3.04	12.61	8.18	3.05	12.95	8.73	3.07				
30	8.52	6.67	3.13	9.49	6.72	3.18	9.81	7.30	3.20	10.46	7.33	3.23	10.78	7.91	3.25	11.43	7.88	3.28	11.75	7.87	3.30	12.08	8.39	3.31				
35	7.90	6.40	3.44	8.80	6.44	3.49	9.10	7.00	3.51	9.70	7.03	3.54	10.00	7.59	3.56	10.60	7.56	3.58	10.90	7.55	3.58	11.20	8.05	3.58				
40	6.39	5.45	3.16	7.11	5.49	3.20	7.36	5.96	3.22	7.84	5.99	3.25	8.08	6.46	3.27	8.57	6.44	3.30	8.81	6.43	3.32	9.05	6.85	3.34				
46	4.20	4.20	2.35	4.68	4.29	2.39	4.84	4.66	2.40	5.16	4.68	2.43	5.32	5.06	2.44	5.64	5.04	2.46	5.80	5.03	2.48	5.96	5.36	2.49				

**Indoor units: 7,000 Btu + 9,000 Btu + 9,000 Btu + 14,000 Btu**

		Indoor temperature																										
°CDB		18			21			23			25			27			29			30			32					
°CWE		12			15			16			18			19			21			22			23					
Outdoor temperature	°CDB	TC	SHC	IP	TC	SHC	IP	TC	SHC	IP	TC	SHC	IP	TC	SHC	IP	TC	SHC	IP	TC	SHC	IP	TC	SHC	IP	TC	SHC	IP
		kW			kW			kW			kW			kW			kW			kW			kW			kW		
	0	8.25	6.67	1.62	9.19	6.71	1.64	9.50	7.29	1.65	10.13	7.32	1.67	10.44	7.90	1.67	11.07	7.87	1.69	11.38	7.86	1.70	11.69	8.38	1.71			
5	7.87	6.50	1.84	8.77	6.54	1.87	9.07	7.11	1.88	9.66	7.14	1.90	9.96	7.71	1.91	10.56	7.68	1.93	10.86	7.67	1.94	11.16	8.18	1.95				
10	7.98	6.55	1.91	8.89	6.59	1.94	9.19	7.16	1.95	9.79	7.19	1.97	10.10	7.76	1.98	10.70	7.73	2.00	11.01	7.72	2.01	11.31	8.24	2.01				
15	8.74	6.88	2.29	9.73	6.92	2.32	10.06	7.53	2.33	10.73	7.55	2.36	11.06	8.15	2.37	11.72	8.13	2.39	12.05	8.11	2.41	12.38	8.65	2.42				
20	8.62	6.83	2.11	9.60	6.88	2.14	9.93	7.47	2.15	10.59	7.50	2.18	10.91	8.10	2.19	11.57	8.07	2.21	11.90	8.05	2.22	12.22	8.59	2.23				
25	9.19	7.08	2.95	10.24	7.12	2.99	10.59	7.74	3.01	11.28	7.77	3.04	11.63	8.39	3.05	12.33	8.36	3.09	12.68	8.34	3.10	13.03	8.90	3.12				
30	8.58	6.81	3.17	9.56	6.86	3.22	9.89	7.45	3.24	10.54	7.48	3.27	10.87	8.08	3.29	11.52	8.05	3.32	11.84	8.03	3.34	12.17	8.57	3.36				
35	7.98	6.55	3.45	8.89	6.59	3.51	9.19	7.16	3.53	9.80	7.19	3.58	10.10	7.76	3.58	10.71	7.73	3.58	11.01	7.72	3.58	11.31	8.24	3.58				
40	6.46	5.60	3.16	7.20	5.63	3.20	7.44	6.12	3.22	7.93	6.14	3.25	8.18	6.63	3.27	8.67	6.61	3.30	8.91	6.60	3.32	9.16	7.04	3.34				
46	4.24	4.24	2.35	4.72	4.36	2.39	4.89	4.73	2.40	5.21	4.75	2.43	5.37	5.13	2.44	5.69	5.11	2.46	5.85	5.10	2.48	6.01	5.44	2.49				

**☐ Indoor units: 7,000 Btu + 9,000 Btu + 9,000 Btu + 18,000 Btu**

		Indoor temperature																										
°CDB		18			21			23			25			27			29			30			32					
°CWE		12			15			16			18			19			21			22			23					
Outdoor temperature	°CDB	TC	SHC	IP	TC	SHC	IP	TC	SHC	IP	TC	SHC	IP	TC	SHC	IP	TC	SHC	IP	TC	SHC	IP	TC	SHC	IP	TC	SHC	IP
	kW			kW			kW			kW			kW			kW			kW			kW			kW			
	0	8.80	7.09	1.86	9.80	7.14	1.89	10.14	7.76	1.90	10.81	7.79	1.92	11.14	8.41	1.93	11.81	8.38	1.95	12.14	8.36	1.96	12.48	8.92	1.97			
	5	8.53	6.97	1.99	9.50	7.02	2.02	9.83	7.63	2.03	10.47	7.66	2.05	10.80	8.27	2.06	11.45	8.24	2.08	11.77	8.22	2.09	12.09	8.77	2.10			
	10	8.56	6.99	2.05	9.54	7.03	2.08	9.86	7.64	2.09	10.51	7.67	2.11	10.84	8.28	2.12	11.49	8.25	2.14	11.81	8.24	2.15	12.14	8.79	2.16			
15	8.63	7.02	1.82	9.61	7.06	1.85	9.94	7.67	1.86	10.59	7.70	1.87	10.92	8.32	1.88	11.58	8.29	1.90	11.90	8.27	1.91	12.23	8.82	1.92				
20	8.64	7.02	2.10	9.62	7.07	2.14	9.95	7.68	2.15	10.61	7.71	2.17	10.93	8.32	2.18	11.59	8.29	2.20	11.92	8.28	2.21	12.25	8.83	2.22				
25	9.11	7.23	2.99	10.15	7.27	3.03	10.49	7.90	3.05	11.18	7.93	3.08	11.53	8.56	3.09	12.22	8.53	3.12	12.57	8.52	3.14	12.91	9.09	3.16				
30	8.55	6.98	3.20	9.52	7.03	3.25	9.85	7.64	3.27	10.50	7.67	3.30	10.82	8.27	3.32	11.47	8.25	3.35	11.79	8.23	3.37	12.12	8.78	3.39				
35	7.98	6.73	3.44	8.89	6.78	3.49	9.19	7.36	3.51	9.80	7.39	3.54	10.10	7.98	3.56	10.71	7.95	3.58	11.01	7.94	3.58	11.31	8.47	3.58				
40	6.61	5.89	3.16	7.36	5.92	3.20	7.62	6.44	3.22	8.12	6.46	3.25	8.37	6.97	3.27	8.87	6.95	3.30	9.12	6.94	3.32	9.37	7.40	3.34				
46	4.32	4.32	2.35	4.81	4.48	2.39	4.98	4.87	2.40	5.31	4.89	2.43	5.47	5.28	2.44	5.80	5.26	2.46	5.96	5.25	2.48	6.13	5.60	2.49				

**☐ Indoor units: 7,000 Btu + 9,000 Btu + 12,000 Btu + 12,000 Btu**

		Indoor temperature																										
°CDB		18			21			23			25			27			29			30			32					
°CWE		12			15			16			18			19			21			22			23					
Outdoor temperature	°CDB	TC	SHC	IP	TC	SHC	IP	TC	SHC	IP	TC	SHC	IP	TC	SHC	IP	TC	SHC	IP	TC	SHC	IP	TC	SHC	IP	TC	SHC	IP
	kW			kW			kW			kW			kW			kW			kW			kW			kW			
	0	8.15	6.64	1.64	9.07	6.68	1.66	9.38	7.26	1.67	10.00	7.29	1.69	10.31	7.86	1.70	10.93	7.84	1.71	11.24	7.82	1.72	11.55	8.34	1.73			
	5	7.80	6.48	1.84	8.69	6.53	1.86	8.98	7.09	1.87	9.58	7.12	1.89	9.87	7.69	1.90	10.47	7.66	1.92	10.76	7.64	1.93	11.06	8.15	1.94			
	10	7.89	6.52	1.90	8.79	6.57	1.93	9.09	7.13	1.94	9.69	7.16	1.96	9.99	7.73	1.97	10.59	7.70	1.99	10.89	7.69	2.00	11.19	8.20	2.00			
15	8.62	6.84	2.30	9.61	6.89	2.33	9.93	7.49	2.35	10.59	7.51	2.37	10.92	8.11	2.38	11.57	8.08	2.40	11.90	8.07	2.42	12.23	8.61	2.43				
20	8.54	6.81	2.10	9.51	6.85	2.13	9.84	7.45	2.14	10.49	7.47	2.16	10.81	8.07	2.18	11.46	8.04	2.20	11.78	8.03	2.21	12.11	8.56	2.22				
25	9.08	7.04	2.94	10.11	7.09	2.99	10.46	7.70	3.01	11.15	7.73	3.04	11.49	8.35	3.05	12.18	8.32	3.08	12.53	8.30	3.10	12.87	8.86	3.11				
30	8.49	6.79	3.17	9.46	6.83	3.22	9.78	7.42	3.23	10.42	7.45	3.27	10.75	8.04	3.28	11.39	8.01	3.32	11.71	8.00	3.33	12.04	8.53	3.35				
35	7.90	6.53	3.44	8.80	6.57	3.49	9.10	7.14	3.51	9.70	7.17	3.54	10.00	7.74	3.56	10.60	7.71	3.58	10.90	7.70	3.58	11.20	8.21	3.58				
40	6.50	5.67	3.16	7.24	5.70	3.20	7.49	6.20	3.22	7.98	6.22	3.25	8.23	6.72	3.27	8.72	6.69	3.30	8.97	6.68	3.32	9.21	7.13	3.34				
46	4.26	4.26	2.35	4.75	4.39	2.39	4.91	4.77	2.40	5.23	4.79	2.43	5.39	5.17	2.44	5.72	5.15	2.46	5.88	5.14	2.48	6.04	5.48	2.49				

**☐ Indoor units: 7,000 Btu + 9,000 Btu + 12,000 Btu + 14,000 Btu**

		Indoor temperature																										
°CDB		18			21			23			25			27			29			30			32					
°CWE		12			15			16			18			19			21			22			23					
Outdoor temperature	°CDB	TC	SHC	IP	TC	SHC	IP	TC	SHC	IP	TC	SHC	IP	TC	SHC	IP	TC	SHC	IP	TC	SHC	IP	TC	SHC	IP	TC	SHC	IP
	kW			kW			kW			kW			kW			kW			kW			kW			kW			
	0	8.82	7.05	1.84	9.82	7.10	1.87	10.16	7.71	1.88	10.83	7.74	1.90	11.16	8.36	1.91	11.83	8.33	1.93	12.17	8.31	1.93	12.50	8.87	1.94			
	5	8.51	6.92	2.00	9.48	6.96	2.03	9.80	7.57	2.04	10.45	7.60	2.06	10.77	8.20	2.07	11.42	8.17	2.09	11.74	8.15	2.10	12.07	8.70	2.11			
	10	8.57	6.94	2.06	9.54	6.99	2.09	9.87	7.59	2.10	10.52	7.62	2.12	10.84	8.23	2.13	11.49	8.20	2.15	11.82	8.18	2.16	12.15	8.73	2.17			
15	8.66	6.98	1.83	9.64	7.03	1.86	9.97	7.63	1.87	10.63	7.66	1.89	10.96	8.27	1.90	11.61	8.24	1.91	11.94	8.23	1.92	12.27	8.78	1.93				
20	8.63	6.97	2.11	9.62	7.02	2.15	9.95	7.62	2.16	10.60	7.65	2.18	10.93	8.26	2.19	11.58	8.23	2.21	11.91	8.22	2.22	12.24	8.77	2.23				
25	9.13	7.19	2.99	10.17	7.23	3.04	10.52	7.86	3.05	11.21	7.89	3.08	11.56	8.52	3.10	12.25	8.49	3.13	12.60	8.47	3.14	12.94	9.04	3.16				
30	8.56	6.94	3.21	9.53	6.98	3.26	9.86	7.59	3.28	10.51	7.62	3.31	10.83	8.22	3.33	11.48	8.19	3.36	11.81	8.18	3.38	12.13	8.72	3.39				
35	7.98	6.69	3.45	8.89	6.73	3.51	9.19	7.31	3.53	9.80	7.34	3.58	10.10	7.92	3.58	10.71	7.89	3.58	11.01	7.88	3.58	11.31	8.41	3.58				
40	6.57	5.81	3.16	7.32	5.85	3.20	7.59	6.36	3.22	8.07	6.38	3.25	8.32	6.89	3.27	8.82	6.86	3.30	9.07	6.85	3.32	9.32	7.31	3.34				
46	4.30	4.30	2.35	4.79	4.45	2.39	4.96	4.84	2.40	5.28	4.86	2.43	5.45	5.24	2.44	5.77	5.22	2.46	5.94	5.21	2.48	6.10	5.56	2.49				

**☐ Indoor units: 7,000 Btu + 9,000 Btu + 12,000 Btu + 18,000 Btu**

		Indoor temperature																										
°CDB		18			21			23			25			27			29			30			32					
°CWE		12			15			16			18			19			21			22			23					
Outdoor temperature	°CDB	TC	SHC	IP	TC	SHC	IP	TC	SHC	IP	TC	SHC	IP	TC	SHC	IP	TC	SHC	IP	TC	SHC	IP	TC	SHC	IP	TC	SHC	IP
	kW			kW			kW			kW			kW			kW			kW			kW			kW			
	0	8.76	7.45	1.96	9.76	7.50	1.99	10.09	8.15	2.00	10.76	8.18	2.02	11.09	8.83	2.03	11.76	8.80	2.05	12.09	8.79	2.06	12.42	9.37	2.07			
	5	8.62	7.39	2.00	9.60	7.44	2.03	9.92	8.08	2.04	10.58	8.11	2.06	10.91	8.76	2.07	11.56	8.73	2.09	11.89	8.71	2.10	12.22	9.29	2.12			
	10	8.56	7.36	2.05	9.53	7.41	2.08	9.86	8.05	2.09	10.51	8.08	2.11	10.83	8.73	2.12	11.48	8.69	2.15	11.81	8.68	2.16	12.13	9.26	2.17			
15	8.54	7.35	1.82	9.51	7.40	1.84	9.84	8.04	1.85	10.48	8.07	1.87	10.81	8.72	1.88	11.46	8.68	1.90	11.78	8.67	1.91	12.11	9.25	1.92				
20	8.65	7.41	2.11	9.64	7.45	2.14	9.97	8.10	2.15	10.62	8.13	2.17	10.95	8.78	2.18	11.61	8.75	2.21	11.94	8.73	2.22	12.27	9.31	2.23				
25	9.04	7.58	3.03	10.07	7.63	3.07	10.42	8.29	3.09	11.10	8.32	3.12	11.45	8.98	3.14	12.13	8.95	3.17	12.48	8.94	3.18	12.82	9.53	3.20				
30	8.52	7.35	3.24	9.49	7.39	3.29	9.82	8.03	3.31	10.46	8.07	3.34	10.79	8.71	3.36	11.43	8.68	3.39	11.76	8.66	3.41	12.08	9.24	3.43				
35	7.98	7.10	3.44	8.89	7.15	3.49	9.19	7.77	3.51	9.80	7.80	3.54	10.10	8.42	3.56	10.71	8.39	3.58	11.01	8.37	3.58	11.31	8.93	3.58				
40	6.72	6.10	3.16	7.49	6.14	3.20	7.75	6.67	3.22	8.26	6.70	3.25	8.51	7.23	3.27	9.02	7.21	3.30	9.28	7.19	3.32	9.53	7.67	3.34				
46	4.38	4.38	2.35	4.88	4.58	2.39	5.05	4.97	2.40	5.38	4.99	2.43	5.55	5.39	2.44	5.88	5.37	2.46	6.05	5.36	2.48	6.21	5.72	2.49				

□ Indoor units: 7,000 Btu + 9,000 Btu + 14,000 Btu + 14,000 Btu

		Indoor temperature																										
°CDB		18			21			23			25			27			29			30			32					
°CWE		12			15			16			18			19			21			22			23					
Outdoor temperature	°CDB	TC	SHC	IP	TC	SHC	IP	TC	SHC	IP	TC	SHC	IP	TC	SHC	IP	TC	SHC	IP	TC	SHC	IP	TC	SHC	IP			
		kW			kW			kW			kW			kW			kW			kW			kW			kW		
	0	8.79	7.14	1.91	9.79	7.18	1.93	10.12	7.80	1.94	10.79	7.83	1.96	11.12	8.46	1.97	11.79	8.43	1.99	12.12	8.41	2.00	12.46	8.87	2.01			
5	8.56	7.03	2.00	9.53	7.08	2.04	9.85	7.69	2.05	10.50	7.72	2.07	10.83	8.34	2.08	11.48	8.31	2.10	11.80	8.29	2.11	12.13	8.85	2.12				
10	8.56	7.04	2.06	9.53	7.08	2.09	9.86	7.70	2.10	10.51	7.73	2.12	10.83	8.34	2.13	11.48	8.31	2.16	11.81	8.29	2.17	12.13	8.85	2.18				
15	8.60	7.05	1.83	9.58	7.10	1.86	9.90	7.71	1.87	10.56	7.74	1.88	10.88	8.36	1.89	11.54	8.33	1.91	11.86	8.31	1.92	12.19	8.87	1.93				
20	8.64	7.07	2.12	9.63	7.12	2.15	9.96	7.74	2.16	10.61	7.77	2.18	10.94	8.38	2.19	11.60	8.35	2.21	11.92	8.34	2.23	12.25	8.89	2.24				
25	9.09	7.27	3.02	10.12	7.31	3.06	10.47	7.95	3.08	11.16	7.98	3.11	11.50	8.61	3.13	12.19	8.58	3.16	12.54	8.57	3.17	12.88	9.14	3.19				
30	8.54	7.03	3.23	9.51	7.07	3.29	9.84	7.69	3.30	10.49	7.72	3.34	10.81	8.33	3.35	11.46	8.30	3.39	11.78	8.28	3.40	12.11	8.84	3.42				
35	7.98	6.78	3.45	8.89	6.83	3.51	9.19	7.42	3.53	9.80	7.45	3.58	10.10	8.04	3.58	10.71	8.01	3.58	11.01	8.00	3.58	11.31	8.53	3.58				
40	6.65	5.96	3.16	7.41	6.00	3.20	7.66	6.52	3.22	8.16	6.54	3.25	8.42	7.06	3.27	8.92	7.04	3.30	9.17	7.02	3.32	9.43	7.49	3.34				
46	4.34	4.34	2.35	4.84	4.51	2.39	5.00	4.91	2.40	5.33	4.92	2.43	5.50	5.32	2.44	5.83	5.30	2.46	5.99	5.29	2.48	6.16	5.64	2.49				

□ Indoor units: 7,000 Btu + 9,000 Btu + 14,000 Btu + 18,000 Btu

		Indoor temperature																										
°CDB		18			21			23			25			27			29			30			32					
°CWE		12			15			16			18			19			21			22			23					
Outdoor temperature	°CDB	TC	SHC	IP	TC	SHC	IP	TC	SHC	IP	TC	SHC	IP	TC	SHC	IP	TC	SHC	IP	TC	SHC	IP	TC	SHC	IP			
		kW			kW			kW			kW			kW			kW			kW			kW			kW		
	0	8.75	7.33	2.03	9.74	7.38	2.06	10.08	8.02	2.07	10.74	8.05	2.09	11.07	8.69	2.11	11.74	8.66	2.13	12.07	8.64	2.14	12.40	9.22	2.15			
5	8.69	7.31	2.01	9.68	7.35	2.05	10.01	7.99	2.06	10.67	8.02	2.08	11.00	8.66	2.09	11.66	8.63	2.11	11.99	8.61	2.12	12.33	9.19	2.13				
10	8.56	7.25	2.06	9.54	7.30	2.09	9.86	7.93	2.10	10.52	7.96	2.12	10.84	8.59	2.13	11.49	8.56	2.15	11.82	8.55	2.16	12.14	9.12	2.18				
15	8.48	7.21	1.82	9.44	7.26	1.85	9.77	7.89	1.86	10.41	7.92	1.88	10.73	8.55	1.89	11.38	8.52	1.90	11.70	8.50	1.91	12.02	9.07	1.92				
20	8.66	7.29	2.12	9.65	7.34	2.15	9.98	7.98	2.16	10.64	8.01	2.18	10.97	8.64	2.19	11.62	8.61	2.21	11.95	8.60	2.23	12.28	9.17	2.24				
25	9.00	7.44	3.06	10.02	7.49	3.11	10.36	8.14	3.13	11.05	8.17	3.16	11.39	8.82	3.17	12.07	8.78	3.20	12.41	8.77	3.22	12.75	9.35	3.24				
30	8.50	7.22	3.27	9.47	7.27	3.32	9.80	7.90	3.34	10.44	7.93	3.38	10.76	8.56	3.39	11.41	8.53	3.43	11.73	8.52	3.44	12.06	9.08	3.46				
35	7.98	6.99	3.45	8.89	7.04	3.51	9.19	7.65	3.53	9.80	7.68	3.58	10.10	8.29	3.58	10.71	8.26	3.58	11.01	8.24	3.58	11.31	8.80	3.58				
40	6.80	6.25	3.16	7.57	6.29	3.20	7.83	6.83	3.22	8.35	6.86	3.25	8.61	7.40	3.27	9.12	7.38	3.30	9.38	7.36	3.32	9.64	7.85	3.34				
46	4.42	4.42	2.35	4.93	4.64	2.39	5.09	5.04	2.40	5.43	5.06	2.43	5.60	5.47	2.44	5.93	5.45	2.46	6.10	5.44	2.48	6.27	5.80	2.49				

□ Indoor units: 7,000 Btu + 12,000 Btu + 12,000 Btu + 12,000 Btu

		Indoor temperature																										
°CDB		18			21			23			25			27			29			30			32					
°CWE		12			15			16			18			19			21			22			23					
Outdoor temperature	°CDB	TC	SHC	IP	TC	SHC	IP	TC	SHC	IP	TC	SHC	IP	TC	SHC	IP	TC	SHC	IP	TC	SHC	IP	TC	SHC	IP			
		kW			kW			kW			kW			kW			kW			kW			kW			kW		
	0	8.80	7.09	1.86	9.80	7.14	1.89	10.14	7.76	1.90	10.81	7.79	1.92	11.14	8.40	1.93	11.81	8.37	1.95	12.14	8.36	1.96	12.48	8.92	1.97			
5	8.53	6.97	1.99	9.50	7.02	2.02	9.83	7.63	2.03	10.47	7.66	2.05	10.80	8.26	2.06	11.45	8.23	2.08	11.77	8.22	2.09	12.09	8.77	2.10				
10	8.56	6.99	2.05	9.54	7.03	2.08	9.86	7.64	2.09	10.51	7.67	2.11	10.84	8.28	2.12	11.49	8.25	2.14	11.81	8.24	2.15	12.14	8.79	2.16				
15	8.63	7.02	1.82	9.61	7.06	1.85	9.94	7.67	1.86	10.59	7.70	1.87	10.92	8.31	1.88	11.58	8.28	1.90	11.90	8.27	1.91	12.23	8.82	1.92				
20	8.64	7.02	2.10	9.62	7.07	2.14	9.95	7.68	2.15	10.61	7.71	2.17	10.93	8.32	2.18	11.59	8.29	2.20	11.92	8.27	2.21	12.25	8.83	2.22				
25	9.11	7.23	2.99	10.15	7.27	3.03	10.49	7.90	3.05	11.18	7.93	3.08	11.53	8.56	3.09	12.22	8.53	3.12	12.57	8.52	3.14	12.91	9.09	3.16				
30	8.55	6.98	3.20	9.52	7.03	3.25	9.85	7.63	3.27	10.50	7.66	3.30	10.82	8.27	3.32	11.47	8.24	3.35	11.79	8.23	3.37	12.12	8.78	3.39				
35	7.98	6.73	3.44	8.89	6.78	3.49	9.19	7.36	3.51	9.80	7.39	3.54	10.10	7.98	3.56	10.71	7.95	3.58	11.01	7.94	3.58	11.31	8.47	3.58				
40	6.61	5.89	3.16	7.36	5.92	3.20	7.62	6.44	3.22	8.12	6.46	3.25	8.37	6.97	3.27	8.87	6.95	3.30	9.12	6.94	3.32	9.37	7.40	3.34				
46	4.32	4.32	2.35	4.81	4.48	2.39	4.98	4.87	2.40	5.31	4.89	2.43	5.47	5.28	2.44	5.80	5.26	2.46	5.96	5.25	2.48	6.13	5.60	2.49				

□ Indoor units: 7,000 Btu + 12,000 Btu + 12,000 Btu + 14,000 Btu

		Indoor temperature																										
°CDB		18			21			23			25			27			29			30			32					
°CWE		12			15			16			18			19			21			22			23					
Outdoor temperature	°CDB	TC	SHC	IP	TC	SHC	IP	TC	SHC	IP	TC	SHC	IP	TC	SHC	IP	TC	SHC	IP	TC	SHC	IP	TC	SHC	IP			
		kW			kW			kW			kW			kW			kW			kW			kW			kW		
	0	8.77	7.18	1.94	9.77	7.23	1.97	10.10	7.85	1.98	10.77	7.88	2.00	11.10	8.51	2.01	11.77	8.48	2.03	12.10	8.46	2.04	12.44	9.03	2.05			
5	8.58	7.10	2.01	9.56	7.14	2.04	9.89	7.76	2.05	10.54	7.79	2.07	10.87	8.41	2.08	11.52	8.38	2.10	11.84	8.37	2.11	12.17	8.92	2.12				
10	8.56	7.09	2.06	9.53	7.13	2.09	9.86	7.75	2.10	10.51	7.78	2.12	10.83	8.40	2.13	11.48	8.37	2.16	11.81	8.35	2.17	12.13	8.91	2.18				
15	8.57	7.09	1.83	9.55	7.14	1.86	9.87	7.76	1.87	10.52	7.79	1.88	10.85	8.40	1.89	11.50	8.37	1.91	11.82	8.36	1.92	12.15	8.92	1.93				
20	8.65	7.13	2.12	9.63	7.17	2.15	9.96	7.79	2.16	10.62	7.82	2.18	10.95	8.44	2.19	11.60	8.41	2.22	11.93	8.40	2.23	12.26	8.96	2.24				
25	9.06	7.31	3.03	10.10	7.35	3.08	10.44	7.99	3.09	11.13	8.02	3.12	11.47	8.66	3.14	12.16	8.63	3.17	12.51	8.61	3.19	12.85	9.19	3.20				
30	8.53	7.07	3.25	9.50	7.12	3.30	9.83	7.74	3.31	10.47	7.77	3.35	10.80	8.38	3.36	11.45	8.35	3.40	11.77	8.34	3.42	12.09	8.90	3.43				
35	7.98	6.83	3.45	8.89	6.88	3.51	9.19	7.47	3.53	9.80	7.50	3.58	10.10	8.10	3.58	10.71	8.07	3.58	11.01	8.06	3.58	11.31	8.59	3.58				
40	6.69	6.03	3.16	7.45	6.07	3.20	7.70	6.59	3.22	8.21	6.62	3.25	8.46	7.15	3.27	8.97	7.12	3.30	9.23	7.11	3.32	9.48	7.58	3.34				
46	4.36	4.36	2.35	4.86	4.55	2.39	5.03	4.94	2.40	5.36	4.96	2.43	5.52	5.35	2.44	5.85	5.33	2.46	6.02	5.32	2.48	6.18	5.68	2.49				

**☐ Indoor units: 7,000 Btu + 12,000 Btu + 12,000 Btu + 18,000 Btu**

		Indoor temperature																							
°CDB		18			21			23			25			27			29			30			32		
°CWB		12			15			16			18			19			21			22			23		
Outdoor temperature	°CDB	TC	SHC	IP	TC	SHC	IP	TC	SHC	IP	TC	SHC	IP	TC	SHC	IP	TC	SHC	IP	TC	SHC	IP	TC	SHC	IP
		kW			kW			kW			kW			kW			kW			kW			kW		
	0	8.74	7.38	2.06	9.74	7.43	2.09	10.07	8.08	2.10	10.74	8.11	2.12	11.07	8.75	2.13	11.73	8.72	2.15	12.06	8.70	2.17	12.40	9.29	2.18
5	8.74	7.38	2.01	9.73	7.43	2.04	10.07	8.07	2.05	10.73	8.11	2.08	11.06	8.75	2.09	11.73	8.72	2.11	12.06	8.70	2.12	12.39	9.28	2.13	
10	8.57	7.31	2.05	9.55	7.36	2.09	9.87	7.99	2.10	10.52	8.02	2.12	10.85	8.66	2.13	11.50	8.63	2.15	11.82	8.61	2.16	12.15	9.19	2.17	
15	8.45	7.25	1.81	9.41	7.30	1.84	9.73	7.93	1.85	10.37	7.97	1.87	10.69	8.60	1.88	11.33	8.57	1.90	11.65	8.55	1.91	11.97	9.12	1.92	
20	8.67	7.35	2.11	9.66	7.40	2.14	9.99	8.04	2.15	10.65	8.07	2.18	10.97	8.71	2.19	11.63	8.68	2.21	11.96	8.67	2.22	12.29	9.25	2.23	
25	8.97	7.49	3.07	9.99	7.53	3.11	10.34	8.19	3.13	11.02	8.22	3.16	11.36	8.87	3.18	12.04	8.84	3.21	12.38	8.82	3.23	12.72	9.41	3.24	
30	8.50	7.28	3.28	9.46	7.32	3.33	9.79	7.96	3.34	10.43	7.99	3.38	10.75	8.62	3.40	11.40	8.59	3.43	11.72	8.58	3.45	12.04	9.15	3.46	
35	7.98	7.05	3.44	8.89	7.10	3.49	9.19	7.71	3.51	9.80	7.74	3.54	10.10	8.36	3.56	10.71	8.33	3.58	11.01	8.31	3.58	11.31	8.87	3.58	
40	6.84	6.32	3.16	7.62	6.36	3.20	7.88	6.91	3.22	8.40	6.94	3.25	8.66	7.49	3.27	9.17	7.46	3.30	9.43	7.45	3.32	9.69	7.95	3.34	
46	4.44	4.44	2.35	4.95	4.67	2.39	5.12	5.08	2.40	5.46	5.10	2.43	5.62	5.50	2.44	5.96	5.48	2.46	6.13	5.47	2.48	6.30	5.84	2.49	

**☐ Indoor units: 7,000 Btu + 12,000 Btu + 14,000 Btu + 14,000 Btu**

		Indoor temperature																							
°CDB		18			21			23			25			27			29			30			32		
°CWB		12			15			16			18			19			21			22			23		
Outdoor temperature	°CDB	TC	SHC	IP	TC	SHC	IP	TC	SHC	IP	TC	SHC	IP	TC	SHC	IP	TC	SHC	IP	TC	SHC	IP	TC	SHC	IP
		kW			kW			kW			kW			kW			kW			kW			kW		
	0	8.75	7.28	2.00	9.75	7.32	2.04	10.08	7.96	2.05	10.75	7.99	2.07	11.08	8.63	2.08	11.75	8.59	2.10	12.08	8.58	2.11	12.41	9.15	2.12
5	8.65	7.23	2.02	9.64	7.28	2.05	9.97	7.91	2.06	10.62	7.94	2.08	10.95	8.57	2.09	11.61	8.54	2.11	11.94	8.53	2.12	12.27	9.10	2.13	
10	8.56	7.19	2.06	9.54	7.24	2.09	9.86	7.87	2.11	10.51	7.90	2.13	10.84	8.53	2.14	11.49	8.49	2.16	11.81	8.48	2.17	12.14	9.05	2.18	
15	8.51	7.17	1.83	9.48	7.22	1.85	9.80	7.84	1.86	10.45	7.87	1.88	10.77	8.50	1.89	11.42	8.47	1.91	11.74	8.45	1.92	12.06	9.02	1.93	
20	8.66	7.24	2.12	9.64	7.28	2.15	9.97	7.91	2.16	10.63	7.94	2.19	10.96	8.58	2.20	11.62	8.54	2.22	11.95	8.53	2.23	12.27	9.10	2.24	
25	9.02	7.39	3.06	10.05	7.44	3.10	10.39	8.09	3.12	11.07	8.12	3.15	11.42	8.76	3.17	12.10	8.73	3.20	12.44	8.72	3.21	12.79	9.30	3.23	
30	8.51	7.17	3.27	9.48	7.22	3.32	9.81	7.84	3.34	10.45	7.87	3.37	10.78	8.50	3.39	11.42	8.47	3.42	11.75	8.45	3.44	12.07	9.02	3.46	
35	7.98	6.94	3.45	8.89	6.98	3.51	9.19	7.59	3.53	9.80	7.62	3.58	10.10	8.22	3.58	10.71	8.19	3.58	11.01	8.18	3.58	11.31	8.73	3.58	
40	6.76	6.17	3.16	7.53	6.21	3.20	7.79	6.75	3.22	8.30	6.78	3.25	8.56	7.32	3.27	9.07	7.29	3.30	9.33	7.28	3.32	9.59	7.76	3.34	
46	4.40	4.40	2.35	4.90	4.61	2.39	5.07	5.01	2.40	5.41	5.03	2.43	5.57	5.43	2.44	5.91	5.41	2.46	6.07	5.40	2.48	6.24	5.76	2.49	

**☐ Indoor units: 9,000 Btu + 9,000 Btu + 9,000 Btu + 9,000 Btu**

		Indoor temperature																							
°CDB		18			21			23			25			27			29			30			32		
°CWB		12			15			16			18			19			21			22			23		
Outdoor temperature	°CDB	TC	SHC	IP	TC	SHC	IP	TC	SHC	IP	TC	SHC	IP	TC	SHC	IP	TC	SHC	IP	TC	SHC	IP	TC	SHC	IP
		kW			kW			kW			kW			kW			kW			kW			kW		
	0	7.87	6.56	1.45	8.76	6.60	1.47	9.06	7.17	1.48	9.66	7.20	1.49	9.96	7.77	1.50	10.55	7.74	1.51	10.85	7.73	1.52	11.15	8.24	1.53
5	7.44	6.36	1.74	8.28	6.40	1.76	8.57	6.96	1.77	9.13	6.98	1.79	9.41	7.54	1.80	9.98	7.51	1.82	10.26	7.50	1.83	10.54	8.00	1.84	
10	7.57	6.42	1.89	8.43	6.46	1.92	8.72	7.02	1.93	9.29	7.05	1.95	9.58	7.61	1.96	10.15	7.58	1.98	10.44	7.57	1.99	10.73	8.07	2.00	
15	8.72	6.94	2.20	9.72	6.99	2.24	10.05	7.59	2.25	10.71	7.62	2.27	11.04	8.23	2.28	11.70	8.20	2.31	12.04	8.19	2.32	12.37	8.73	2.33	
20	8.53	6.86	2.09	9.50	6.90	2.13	9.82	7.50	2.14	10.47	7.53	2.16	10.79	8.12	2.17	11.44	8.10	2.19	11.77	8.08	2.20	12.09	8.62	2.21	
25	9.15	7.14	2.89	10.20	7.19	2.94	10.54	7.81	2.95	11.24	7.84	2.98	11.59	8.46	3.00	12.28	8.43	3.03	12.63	8.42	3.04	12.98	8.98	3.06	
30	8.53	6.86	3.12	9.50	6.90	3.17	9.82	7.50	3.19	10.47	7.53	3.22	10.79	8.12	3.23	11.44	8.10	3.27	11.76	8.08	3.28	12.09	8.62	3.30	
35	7.90	6.57	3.44	8.80	6.61	3.49	9.10	7.19	3.51	9.70	7.21	3.54	10.00	7.79	3.56	10.60	7.76	3.58	10.90	7.75	3.58	11.20	8.26	3.58	
40	6.35	5.38	3.16	7.07	5.41	3.20	7.31	5.88	3.22	7.79	5.91	3.25	8.03	6.37	3.27	8.52	6.35	3.30	8.76	6.34	3.32	9.00	6.76	3.34	
46	4.18	4.18	2.35	4.66	4.26	2.39	4.82	4.63	2.40	5.13	4.65	2.43	5.29	5.02	2.44	5.61	5.00	2.46	5.77	4.99	2.48	5.93	5.32	2.49	

**☐ Indoor units: 9,000 Btu + 9,000 Btu + 9,000 Btu + 12,000 Btu**

		Indoor temperature																							
°CDB		18			21			23			25			27			29			30			32		
°CWB		12			15			16			18			19			21			22			23		
Outdoor temperature	°CDB	TC	SHC	IP	TC	SHC	IP	TC	SHC	IP	TC	SHC	IP	TC	SHC	IP	TC	SHC	IP	TC	SHC	IP	TC	SHC	IP
		kW			kW			kW			kW			kW			kW			kW			kW		
	0	8.17	6.60	1.61	9.10	6.64	1.64	9.41	7.22	1.65	10.03	7.25	1.66	10.34	7.82	1.67	10.96	7.80	1.69	11.27	7.78	1.70	11.58	8.30	1.70
5	7.79	6.44	1.84	8.68	6.48	1.87	8.98	7.04	1.88	9.57	7.07	1.90	9.86	7.63	1.90	10.46	7.60	1.92	10.75	7.59	1.93	11.05	8.10	1.94	
10	7.90	6.48	1.90	8.80	6.53	1.93	9.10	7.09	1.94	9.70	7.12	1.96	10.00	7.68	1.97	10.60	7.66	1.99	10.90	7.64	2.00	11.20	8.15	2.01	
15	8.65	6.81	2.28	9.63	6.86	2.32	9.96	7.45	2.33	10.62	7.48	2.35	10.95	8.07	2.36	11.61	8.04	2.39	11.93	8.03	2.40	12.26	8.57	2.41	
20	8.54	6.76	2.10	9.51	6.81	2.14	9.83	7.40	2.15	10.48	7.43	2.17	10.81	8.02	2.18	11.45	7.99	2.20	11.78	7.97	2.21	12.10	8.50	2.22	
25	9.10	7.01	2.94	10.14	7.05	2.99	10.48	7.67	3.00	11.17	7.70	3.03	11.52	8.31	3.05	12.21	8.28	3.08	12.55	8.26	3.09	12.90	8.81	3.11	
30	8.50	6.75	3.17	9.47	6.79	3.21	9.79	7.38	3.23	10.44	7.41	3.26	10.76	8.00	3.28	11.40	7.97	3.31	11.73	7.95	3.33	12.05	8.48	3.35	
35	7.90	6.49	3.45	8.80	6.53	3.51	9.10	7.09	3.53	9.70	7.12	3.58	10.00	7.69	3.58	10.60	7.66	3.58	10.90	7.64	3.58	11.20	8.15	3.58	
40	6.46	5.60	3.16	7.20	5.63	3.20	7.40	6.12	3.22	7.93	6.14	3.25	8.18	6.63	3.27	8.67	6.61	3.30	8.91	6.60	3.32	9.16	7.04	3.34	
46	4.24	4.24	2.35	4.72	4.36	2.39	4.89	4.73	2.40	5.21	4.75	2.43	5.37	5.13	2.44	5.69	5.11	2.46	5.85	5.10	2.48	6.01	5.44	2.49	

**Indoor units: 9,000 Btu + 9,000 Btu + 9,000 Btu + 14,000 Btu**

	Indoor temperature																									
	18			21			23			25			27			29			30			32				
	°CDB			°CWE			°CDB			°CWE			°CDB			°CWE			°CDB			°CWE				
	TC	SHC	IP	TC	SHC	IP	TC	SHC	IP	TC	SHC	IP	TC	SHC	IP	TC	SHC	IP	TC	SHC	IP	TC	SHC	IP	TC	SHC
	kW						kW						kW						kW							
0	8.21	6.74	1.68	9.14	6.78	1.70	9.45	7.37	1.71	10.08	7.40	1.73	10.39	7.99	1.74	11.01	7.96	1.76	11.32	7.94	1.76	11.63	8.47	1.77		
5	7.89	6.60	1.85	8.79	6.64	1.88	9.09	7.22	1.89	9.69	7.25	1.91	9.99	7.82	1.92	10.58	7.79	1.94	10.88	7.78	1.95	11.18	8.30	1.96		
10	7.96	6.63	1.91	8.87	6.67	1.94	9.17	7.25	1.95	9.77	7.28	1.97	10.08	7.86	1.98	10.68	7.83	2.00	10.98	7.82	2.01	11.29	8.34	2.02		
15	8.68	6.95	1.83	9.67	6.99	1.86	10.00	7.60	1.87	10.66	7.63	1.89	10.99	8.23	1.90	11.65	8.20	1.92	11.98	8.19	1.92	12.31	8.73	1.93		
20	8.63	6.92	2.11	9.61	6.97	2.15	9.94	7.57	2.16	10.60	7.60	2.18	10.92	8.20	2.19	11.58	8.18	2.21	11.91	8.16	2.22	12.23	8.71	2.23		
25	9.15	7.15	2.98	10.19	7.20	3.02	10.54	7.82	3.04	11.23	7.85	3.07	11.58	8.47	3.08	12.28	8.44	3.11	12.62	8.43	3.13	12.97	8.99	3.14		
30	8.57	6.90	3.20	9.54	6.94	3.25	9.87	7.54	3.26	10.52	7.57	3.30	10.84	8.17	3.31	11.49	8.14	3.35	11.82	8.13	3.36	12.14	8.67	3.38		
35	7.98	6.64	3.45	8.89	6.68	3.51	9.19	7.26	3.53	9.80	7.29	3.58	10.10	7.87	3.58	10.71	7.84	3.58	11.01	7.83	3.58	11.31	8.35	3.58		
40	6.54	5.74	3.16	7.28	5.78	3.20	7.53	6.28	3.22	8.03	6.30	3.25	8.27	6.80	3.27	8.77	6.78	3.30	9.02	6.77	3.32	9.27	7.22	3.34		
46	4.28	4.28	2.35	4.77	4.42	2.39	4.93	4.80	2.40	5.26	4.82	2.43	5.42	5.20	2.44	5.75	5.19	2.46	5.91	5.18	2.48	6.07	5.52	2.49		

**Indoor units: 9,000 Btu + 9,000 Btu + 9,000 Btu + 18,000 Btu**

	Indoor temperature																									
	18			21			23			25			27			29			30			32				
	°CDB			°CWE			°CDB			°CWE			°CDB			°CWE			°CDB			°CWE				
	TC	SHC	IP	TC	SHC	IP	TC	SHC	IP	TC	SHC	IP	TC	SHC	IP	TC	SHC	IP	TC	SHC	IP	TC	SHC	IP	TC	SHC
	kW						kW						kW						kW							
0	8.77	7.49	1.94	9.77	7.54	1.97	10.10	8.19	1.98	10.77	8.23	2.00	11.10	8.88	2.01	11.77	8.85	2.03	12.10	8.83	2.04	12.44	9.42	2.05		
5	8.58	7.41	2.01	9.56	7.45	2.04	9.89	8.10	2.05	10.54	8.13	2.07	10.87	8.78	2.08	11.52	8.75	2.10	11.84	8.73	2.11	12.17	9.31	2.12		
10	8.56	7.39	2.06	9.53	7.44	2.09	9.86	8.09	2.10	10.51	8.12	2.12	10.83	8.76	2.13	11.48	8.73	2.16	11.81	8.72	2.17	12.13	9.30	2.18		
15	8.57	7.40	1.83	9.55	7.45	1.86	9.87	8.09	1.87	10.52	8.12	1.88	10.85	8.77	1.89	11.50	8.74	1.91	11.82	8.72	1.92	12.15	9.30	1.93		
20	8.65	7.44	2.12	9.63	7.48	2.15	9.96	8.13	2.16	10.62	8.16	2.18	10.95	8.81	2.19	11.60	8.78	2.22	11.93	8.76	2.23	12.26	9.35	2.24		
25	9.06	7.63	3.03	10.10	7.67	3.08	10.44	8.34	3.09	11.13	8.37	3.12	11.47	9.04	3.14	12.16	9.00	3.17	12.51	8.99	3.19	12.85	9.59	3.20		
30	8.63	7.38	3.25	9.50	7.43	3.30	9.83	8.07	3.31	10.47	8.11	3.35	10.80	8.75	3.36	11.45	8.72	3.40	11.77	8.70	3.42	12.09	9.28	3.43		
35	7.98	7.13	3.45	8.89	7.18	3.51	9.19	7.80	3.53	9.80	7.83	3.58	10.10	8.45	3.58	10.71	8.42	3.58	11.01	8.41	3.58	11.31	8.97	3.58		
40	6.69	6.03	3.16	7.45	6.07	3.20	7.70	6.59	3.22	8.21	6.62	3.25	8.46	7.15	3.27	8.97	7.12	3.30	9.23	7.11	3.32	9.48	7.58	3.34		
46	4.36	4.36	2.35	4.86	4.55	2.39	5.03	4.94	2.40	5.36	4.96	2.43	5.52	5.35	2.44	5.85	5.33	2.46	6.02	5.32	2.48	6.18	5.68	2.49		

**Indoor units: 9,000 Btu + 9,000 Btu + 12,000 Btu + 12,000 Btu**

	Indoor temperature																									
	18			21			23			25			27			29			30			32				
	°CDB			°CWE			°CDB			°CWE			°CDB			°CWE			°CDB			°CWE				
	TC	SHC	IP	TC	SHC	IP	TC	SHC	IP	TC	SHC	IP	TC	SHC	IP	TC	SHC	IP	TC	SHC	IP	TC	SHC	IP	TC	SHC
	kW						kW						kW						kW							
0	8.82	7.05	1.84	9.82	7.10	1.87	10.16	7.71	1.88	10.83	7.74	1.90	11.16	8.36	1.91	11.83	8.33	1.93	12.17	8.31	1.93	12.50	8.87	1.94		
5	8.51	6.92	2.00	9.48	6.96	2.03	9.80	7.57	2.04	10.45	7.60	2.06	10.77	8.20	2.07	11.42	8.17	2.09	11.74	8.15	2.10	12.07	8.70	2.11		
10	8.57	6.94	2.06	9.54	6.99	2.09	9.87	7.59	2.10	10.52	7.62	2.12	10.84	8.23	2.13	11.49	8.20	2.15	11.82	8.18	2.16	12.15	8.73	2.17		
15	8.66	6.98	1.83	9.64	7.03	1.86	9.97	7.63	1.87	10.63	7.66	1.89	10.96	8.27	1.90	11.61	8.24	1.91	11.94	8.23	1.92	12.27	8.78	1.93		
20	8.63	6.97	2.11	9.62	7.02	2.15	9.95	7.62	2.16	10.60	7.65	2.18	10.93	8.26	2.19	11.58	8.23	2.21	11.91	8.22	2.22	12.24	8.77	2.23		
25	9.13	7.19	2.99	10.17	7.23	3.04	10.52	7.86	3.05	11.21	7.89	3.08	11.56	8.52	3.10	12.25	8.49	3.13	12.60	8.47	3.14	12.94	9.04	3.16		
30	8.56	6.94	3.21	9.53	6.98	3.26	9.86	7.59	3.28	10.51	7.62	3.31	10.83	8.22	3.33	11.48	8.19	3.36	11.81	8.18	3.38	12.13	8.72	3.39		
35	7.98	6.69	3.45	8.89	6.73	3.51	9.19	7.31	3.53	9.80	7.34	3.58	10.10	7.92	3.58	10.71	7.89	3.58	11.01	7.88	3.58	11.31	8.41	3.58		
40	6.57	5.81	3.16	7.32	5.85	3.20	7.57	6.36	3.22	8.07	6.38	3.25	8.32	6.89	3.27	8.82	6.86	3.30	9.07	6.85	3.32	9.32	7.31	3.34		
46	4.30	4.30	2.35	4.79	4.45	2.39	4.96	4.84	2.40	5.28	4.86	2.43	5.45	5.24	2.44	5.77	5.22	2.46	5.94	5.21	2.48	6.10	5.56	2.49		

**Indoor units: 9,000 Btu + 9,000 Btu + 12,000 Btu + 14,000 Btu**

	Indoor temperature																									
	18			21			23			25			27			29			30			32				
	°CDB			°CWE			°CDB			°CWE			°CDB			°CWE			°CDB			°CWE				
	TC	SHC	IP	TC	SHC	IP	TC	SHC	IP	TC	SHC	IP	TC	SHC	IP	TC	SHC	IP	TC	SHC	IP	TC	SHC	IP	TC	SHC
	kW						kW						kW						kW							
0	8.79	7.14	1.91	9.79	7.18	1.93	10.12	7.80	1.94	10.79	7.83	1.96	11.12	8.46	1.97	11.79	8.43	1.99	12.12	8.41	2.00	12.46	8.97	2.01		
5	8.56	7.03	2.00	9.53	7.08	2.04	9.85	7.69	2.05	10.50	7.72	2.07	10.83	8.34	2.08	11.48	8.31	2.10	11.80	8.29	2.11	12.13	8.85	2.12		
10	8.56	7.04	2.06	9.53	7.08	2.09	9.86	7.70	2.10	10.51	7.73	2.12	10.83	8.34	2.13	11.48	8.31	2.16	11.81	8.29	2.17	12.13	8.85	2.18		
15	8.60	7.05	1.83	9.58	7.10	1.86	9.90	7.71	1.87	10.56	7.74	1.88	10.88	8.36	1.89	11.54	8.33	1.91	11.86	8.31	1.92	12.19	8.87	1.93		
20	8.64	7.07	2.12	9.63	7.12	2.15	9.96	7.74	2.16	10.61	7.77	2.18	10.94	8.38	2.19	11.60	8.35	2.21	11.92	8.34	2.23	12.25	8.89	2.24		
25	9.09	7.27	3.02	10.12	7.31	3.06	10.47	7.95	3.08	11.16	7.98	3.11	11.50	8.61	3.13	12.19	8.58	3.16	12.54	8.57	3.17	12.88	9.14	3.19		
30	8.54	7.03	3.23	9.51	7.07	3.29	9.84	7.69	3.30	10.49	7.72	3.34	10.81	8.33	3.35	11.46	8.30	3.39	11.78	8.28	3.40	12.11	8.84	3.42		
35	7.98	6.78	3.45	8.89	6.83	3.51	9.19	7.42	3.53	9.80	7.45	3.58	10.10	8.04	3.58	10.71	8.01	3.58	11.01	8.00	3.58	11.31	8.53	3.58		
40	6.65	5.96	3.16	7.41	6.00	3.20	7.66	6.52	3.22	8.16	6.54	3.25	8.42	7.06	3.27	8.92	7.04	3.30	9.17	7.02	3.32	9.43	7.49	3.34		
46	4.34	4.34	2.35	4.84	4.51	2.39	5.00	4.91	2.40	5.33	4.92	2.43	5.50	5.32	2.44	5.83	5.30	2.46	5.99	5.29	2.48	6.16	5.64	2.49		

**Indoor units\*: 9,000 Btu + 9,000 Btu + 12,000 Btu + 18,000 Btu**

		Indoor temperature																																															
		18						21						23						25						27						29						30						32					
Outdoor temperature	°CDB	12						15						16						18						19						21						22						23					
	°CWB	TC	SHC	IP	TC	SHC	IP	TC	SHC	IP	TC	SHC	IP	TC	SHC	IP	TC	SHC	IP	TC	SHC	IP	TC	SHC	IP	TC	SHC	IP	TC	SHC	IP	TC	SHC	IP															
	kW	kW						kW						kW						kW						kW						kW																	
	0	8.75	7.33	2.04	9.74	7.38	2.07	10.08	8.02	2.08	10.74	8.05	2.10	11.07	8.69	2.11	11.74	8.66	2.13	12.07	8.64	2.14	12.40	9.22	2.15	12.40	9.22	2.15	12.40	9.22	2.15	12.40	9.22	2.15	12.40	9.22	2.15												
	5	8.69	7.31	2.02	9.68	7.35	2.05	10.01	7.99	2.06	10.67	8.02	2.08	11.00	8.66	2.09	11.66	8.63	2.11	11.99	8.61	2.12	12.33	9.19	2.14	12.33	9.19	2.14	12.33	9.19	2.14	12.33	9.19	2.14	12.33	9.19	2.14												
10	8.56	7.25	2.06	9.54	7.30	2.10	9.86	7.93	2.11	10.52	7.96	2.13	10.84	8.59	2.14	11.49	8.56	2.16	11.82	8.55	2.17	12.14	9.12	2.18	12.14	9.12	2.18	12.14	9.12	2.18	12.14	9.12	2.18	12.14	9.12	2.18													
15	8.48	7.21	1.83	9.44	7.26	1.85	9.77	7.89	1.86	10.41	7.92	1.88	10.73	8.55	1.89	11.38	8.52	1.91	11.70	8.50	1.92	12.02	9.07	1.93	12.02	9.07	1.93	12.02	9.07	1.93	12.02	9.07	1.93	12.02	9.07	1.93													
20	8.66	7.29	2.12	9.65	7.34	2.15	9.98	7.98	2.17	10.64	8.01	2.19	10.97	8.64	2.20	11.62	8.61	2.22	11.95	8.60	2.23	12.28	9.17	2.24	12.28	9.17	2.24	12.28	9.17	2.24	12.28	9.17	2.24	12.28	9.17	2.24													
25	9.00	7.44	3.07	10.02	7.49	3.12	10.36	8.14	3.13	11.05	8.17	3.17	11.39	8.82	3.18	12.07	8.78	3.21	12.41	8.77	3.23	12.75	9.35	3.25	12.75	9.35	3.25	12.75	9.35	3.25	12.75	9.35	3.25	12.75	9.35	3.25													
30	8.50	7.22	3.28	9.47	7.27	3.33	9.80	7.90	3.35	10.44	7.93	3.39	10.76	8.56	3.40	11.41	8.53	3.44	11.73	8.52	3.45	12.06	9.08	3.47	12.06	9.08	3.47	12.06	9.08	3.47	12.06	9.08	3.47	12.06	9.08	3.47													
35	7.98	6.99	3.45	8.89	7.04	3.51	9.19	7.65	3.53	9.80	7.68	3.58	10.10	8.29	3.58	10.71	8.26	3.58	11.01	8.24	3.58	11.31	8.80	3.58	11.31	8.80	3.58	11.31	8.80	3.58	11.31	8.80	3.58	11.31	8.80	3.58													
40	6.80	6.25	3.16	7.57	6.29	3.20	7.83	6.83	3.22	8.35	6.86	3.25	8.61	7.40	3.27	9.12	7.38	3.30	9.38	7.36	3.32	9.64	7.85	3.34	9.64	7.85	3.34	9.64	7.85	3.34	9.64	7.85	3.34	9.64	7.85	3.34													
46	4.42	4.42	2.35	4.93	4.64	2.39	5.09	5.04	2.40	5.43	5.06	2.43	5.60	5.47	2.44	5.93	5.45	2.46	6.10	5.44	2.48	6.27	5.80	2.49	6.27	5.80	2.49	6.27	5.80	2.49	6.27	5.80	2.49	6.27	5.80	2.49													

\*: Combination pattern including "ARYG09L + ARYG09L + ARYG12L + ASYG18L" cannot be connected.

**Indoor units: 9,000 Btu + 9,000 Btu + 14,000 Btu + 14,000 Btu**

		Indoor temperature																																															
		18						21						23						25						27						29						30						32					
Outdoor temperature	°CDB	12						15						16						18						19						21						22						23					
	°CWB	TC	SHC	IP	TC	SHC	IP	TC	SHC	IP	TC	SHC	IP	TC	SHC	IP	TC	SHC	IP	TC	SHC	IP	TC	SHC	IP	TC	SHC	IP	TC	SHC	IP	TC	SHC	IP															
	kW	kW						kW						kW						kW						kW						kW																	
	0	8.74	7.38	2.07	9.74	7.43	2.10	10.07	8.08	2.11	10.74	8.11	2.13	11.07	8.75	2.15	11.73	8.72	2.17	12.06	8.70	2.18	12.40	9.29	2.19	12.40	9.29	2.19	12.40	9.29	2.19	12.40	9.29	2.19	12.40	9.29	2.19												
	5	8.74	7.38	2.02	9.73	7.43	2.06	10.07	8.07	2.07	10.73	8.11	2.09	11.06	8.75	2.10	11.73	8.72	2.12	12.06	8.70	2.13	12.39	9.28	2.14	12.39	9.28	2.14	12.39	9.28	2.14	12.39	9.28	2.14	12.39	9.28	2.14												
10	8.57	7.31	2.07	9.55	7.36	2.10	9.87	7.99	2.11	10.52	8.02	2.13	10.85	8.66	2.14	11.50	8.63	2.16	11.82	8.61	2.17	12.15	9.19	2.18	12.15	9.19	2.18	12.15	9.19	2.18	12.15	9.19	2.18	12.15	9.19	2.18													
15	8.45	7.25	1.82	9.41	7.30	1.85	9.73	7.93	1.86	10.37	7.97	1.88	10.69	8.60	1.89	11.33	8.57	1.91	11.65	8.55	1.92	11.97	9.12	1.93	11.97	9.12	1.93	11.97	9.12	1.93	11.97	9.12	1.93	11.97	9.12	1.93													
20	8.67	7.35	2.12	9.66	7.40	2.16	9.99	8.04	2.17	10.65	8.07	2.19	10.97	8.71	2.20	11.63	8.68	2.22	11.96	8.67	2.23	12.29	9.25	2.24	12.29	9.25	2.24	12.29	9.25	2.24	12.29	9.25	2.24	12.29	9.25	2.24													
25	8.97	7.49	3.08	9.99	7.53	3.13	10.34	8.19	3.15	11.02	8.22	3.18	11.36	8.87	3.20	12.04	8.84	3.23	12.38	8.82	3.24	12.72	9.41	3.26	12.72	9.41	3.26	12.72	9.41	3.26	12.72	9.41	3.26	12.72	9.41	3.26													
30	8.50	7.28	3.30	9.46	7.32	3.35	9.79	7.96	3.36	10.43	7.99	3.40	10.75	8.62	3.41	11.40	8.59	3.45	11.72	8.58	3.47	12.04	9.15	3.48	12.04	9.15	3.48	12.04	9.15	3.48	12.04	9.15	3.48	12.04	9.15	3.48													
35	7.98	7.05	3.45	8.89	7.10	3.51	9.19	7.71	3.53	9.80	7.74	3.58	10.10	8.36	3.58	10.71	8.33	3.58	11.01	8.31	3.58	11.31	8.87	3.58	11.31	8.87	3.58	11.31	8.87	3.58	11.31	8.87	3.58	11.31	8.87	3.58													
40	6.72	6.10	3.16	7.49	6.14	3.20	7.19	6.67	3.22	8.26	6.70	3.25	8.51	7.23	3.27	9.02	7.21	3.30	9.28	7.19	3.32	9.53	7.67	3.34	9.53	7.67	3.34	9.53	7.67	3.34	9.53	7.67	3.34	9.53	7.67	3.34													
46	4.38	4.38	2.35	4.88	4.58	2.39	5.05	4.97	2.40	5.38	4.99	2.43	5.55	5.39	2.44	5.88	5.37	2.46	6.05	5.36	2.48	6.21	5.72	2.49	6.21	5.72	2.49	6.21	5.72	2.49	6.21	5.72	2.49	6.21	5.72	2.49													

**Indoor units: 9,000 Btu + 12,000 Btu + 12,000 Btu + 12,000 Btu**

		Indoor temperature																																															
		18						21						23						25						27						29						30						32					
Outdoor temperature	°CDB	12						15						16						18						19						21						22						23					
	°CWB	TC	SHC	IP	TC	SHC	IP	TC	SHC	IP	TC	SHC	IP	TC	SHC	IP	TC	SHC	IP	TC	SHC	IP	TC	SHC	IP	TC	SHC	IP	TC	SHC	IP	TC	SHC	IP															
	kW	kW						kW						kW						kW						kW						kW																	
	0	8.77	7.18	1.94	9.77	7.23	1.97	10.10	7.85	1.98	10.77	7.88	2.00	11.10	8.51	2.01	11.77	8.48	2.03	12.10	8.46	2.04	12.44	9.03	2.05	12.44	9.03	2.05	12.44	9.03	2.05	12.44	9.03	2.05	12.44	9.03	2.05												
	5	8.58	7.10	2.01	9.56	7.14	2.04	9.89	7.76	2.05	10.54	7.79	2.07	10.87	8.41	2.08	11.52	8.38	2.10	11.84	8.37	2.11	12.17	8.92	2.12	12.17	8.92	2.12	12.17	8.92	2.12	12.17	8.92	2.12	12.17	8.92	2.12												
10	8.56	7.09	2.06	9.53	7.13	2.09	9.86	7.75	2.10	10.51	7.78	2.12	10.83	8.40	2.13	11.48	8.37	2.16	11.81	8.35	2.17	12.13	8.91	2.18	12.13	8.91	2.18	12.13	8.91	2.18	12.13	8.91	2.18	12.13	8.91	2.18													
15	8.57	7.09	1.83	9.55	7.14	1.86	9.87	7.76	1.87	10.52	7.79	1.88	10.85	8.40	1.89	11.50	8.37	1.91	11.82	8.36	1.92	12.15	8.92	1.93	12.15	8.92	1.93	12.15	8.92	1.93	12.15	8.92	1.93	12.15	8.92	1.93													
20	8.65	7.13	2.12	9.63	7.17	2.15	9.96	7.79	2.16	10.62	7.82	2.18	10.95	8.44	2.19	11.60	8.41	2.22	11.93	8.40	2.23	12.26	8.96	2.24	12.26	8.96	2.24	12.26	8.96	2.24	12.26	8.96	2.24	12.26	8.96	2.24													
25	9.06	7.31	3.03	10.10	7.35	3.08	10.44	7.99	3.09	11.13	8.02	3.12	11.47	8.66	3.14	12.16	8.63	3.17	12.51	8.61	3.19	12.85	9.19	3.20	12.85	9.19	3.20	12.85	9.19	3.20	12.85	9.19	3.20	12.85	9.19	3.20													
30	8.53	7.07	3.25	9.50	7.12	3.30	9.83	7.74	3.31	10.47	7.77	3.35	10.80	8.38	3.36	11.45	8.35	3.40	11.77	8.34	3.42	12.09	8.90	3.43	12.09	8.90	3.43	12.09	8.90	3.43	12.09	8.90	3.43	12.09	8.90	3.43													
35	7.98	6.83	3.45	8.89	6.88	3.51	9.19	7.47	3.53	9.80	7.50	3.58	10.10	8.10	3.58	10.71	8.07	3.58	11.01	8.06	3.58	11.31	8.59	3.58	11.31	8.59	3.58	11.31	8.59	3.58	11.31	8.59	3.58	11.31	8.59	3.58													
40	6.69	6.03	3.16	7.45	6.07	3.20	7.70	6.59	3.22	8.21	6.62	3.25	8.46	7.15	3.27	8.97	7.12	3.30	9.23	7.11	3.32	9.48	7.58	3.34	9.48	7.58	3.34	9.48	7.58	3.34	9.48	7.58	3.34	9.48	7.58	3.34													
46	4.36	4.36	2.35	4.86	4.55	2.39	5.03	4.94	2.40	5.36	4.96	2.4																																					

## □ Indoor units: 9,000 Btu + 12,000 Btu + 14,000 Btu + 14,000 Btu

		Indoor temperature																																		
		18			21			23			25			27			29			30			32													
		°CDB			°CWE			°CDB			°CWE			°CDB			°CWE			°CDB			°CWE													
Outdoor temperature	TC			SHC			IP			TC			SHC			IP			TC			SHC			IP			TC			SHC			IP		
	kW			kW			kW			kW			kW			kW			kW			kW			kW			kW			kW					
	0	8.74	7.38	2.07	9.74	7.43	2.10	10.07	8.08	2.11	10.74	8.11	2.13	11.07	8.75	2.15	11.73	8.72	2.17	12.06	8.70	2.18	12.40	9.29	2.19											
	5	8.74	7.38	2.02	9.73	7.43	2.06	10.07	8.07	2.07	10.73	8.11	2.09	11.06	8.75	2.10	11.73	8.72	2.12	12.06	8.70	2.13	12.39	9.28	2.14											
	10	8.57	7.31	2.07	9.55	7.36	2.10	9.87	7.99	2.11	10.52	8.02	2.13	10.85	8.66	2.14	11.50	8.63	2.16	11.82	8.61	2.17	12.15	9.19	2.18											
	15	8.45	7.25	1.82	9.41	7.30	1.85	9.73	7.93	1.86	10.37	7.97	1.88	10.69	8.60	1.89	11.33	8.57	1.91	11.65	8.55	1.92	11.97	9.12	1.93											
	20	8.67	7.35	2.12	9.66	7.40	2.16	9.99	8.04	2.17	10.65	8.07	2.19	10.97	8.71	2.20	11.63	8.68	2.22	11.96	8.67	2.23	12.29	9.25	2.24											
	25	8.97	7.49	3.08	9.99	7.53	3.13	10.34	8.19	3.15	11.02	8.22	3.18	11.36	8.87	3.20	12.04	8.84	3.23	12.38	8.82	3.24	12.72	9.41	3.26											
	30	8.50	7.28	3.30	9.46	7.32	3.35	9.79	7.96	3.36	10.43	7.99	3.40	10.75	8.62	3.41	11.40	8.59	3.43	11.72	8.58	3.47	12.04	9.15	3.48											
	35	7.98	7.05	3.45	8.89	7.10	3.51	9.19	7.71	3.53	9.80	7.74	3.58	10.10	8.36	3.58	10.71	8.33	3.58	11.01	8.31	3.58	11.31	8.87	3.58											
40	6.84	6.32	3.16	7.62	6.36	3.20	7.88	6.91	3.22	8.40	6.94	3.25	8.66	7.49	3.27	9.17	7.46	3.30	9.43	7.45	3.32	9.69	7.95	3.34												
46	4.44	4.44	2.35	4.95	4.67	2.39	5.12	5.08	2.40	5.46	5.10	2.43	5.62	5.50	2.44	5.96	5.48	2.46	6.13	5.47	2.48	6.30	5.84	2.49												

## □ Indoor units: 12,000 Btu + 12,000 Btu + 12,000 Btu + 12,000 Btu

		Indoor temperature																																		
		18			21			23			25			27			29			30			32													
		°CDB			°CWE			°CDB			°CWE			°CDB			°CWE			°CDB			°CWE													
Outdoor temperature	TC			SHC			IP			TC			SHC			IP			TC			SHC			IP			TC			SHC			IP		
	kW			kW			kW			kW			kW			kW			kW			kW			kW			kW			kW					
	0	8.75	7.21	2.04	9.74	7.26	2.07	10.08	7.89	2.08	10.74	7.92	2.10	11.07	8.55	2.11	11.74	8.52	2.13	12.07	8.50	2.14	12.40	9.07	2.15											
	5	8.69	7.19	2.02	9.68	7.24	2.05	10.01	7.86	2.06	10.67	7.90	2.08	11.00	8.52	2.09	11.66	8.49	2.11	11.99	8.48	2.12	12.33	9.04	2.14											
	10	8.56	7.14	2.06	9.54	7.18	2.10	9.86	7.80	2.11	10.52	7.83	2.13	10.84	8.46	2.14	11.49	8.43	2.16	11.82	8.41	2.17	12.14	8.97	2.18											
	15	8.48	7.10	1.83	9.44	7.14	1.85	9.77	7.76	1.86	10.41	7.79	1.88	10.73	8.41	1.89	11.38	8.38	1.91	11.70	8.37	1.92	12.02	8.93	1.93											
	20	8.66	7.18	2.12	9.65	7.22	2.15	9.98	7.85	2.17	10.64	7.88	2.19	10.97	8.51	2.20	11.62	8.48	2.22	11.95	8.46	2.23	12.28	9.03	2.24											
	25	9.00	7.32	3.07	10.02	7.37	3.12	10.36	8.01	3.13	11.05	8.04	3.17	11.39	8.68	3.18	12.07	8.65	3.21	12.41	8.63	3.23	12.75	9.21	3.25											
	30	8.50	7.11	3.28	9.47	7.16	3.33	9.80	7.78	3.35	10.44	7.81	3.39	10.76	8.43	3.40	11.41	8.40	3.44	11.73	8.38	3.45	12.06	8.94	3.47											
	35	7.98	6.88	3.45	8.89	6.93	3.51	9.19	7.53	3.53	9.80	7.56	3.58	10.10	8.16	3.58	10.71	8.13	3.58	11.01	8.11	3.58	11.31	8.66	3.58											
40	6.80	6.25	3.16	7.57	6.29	3.20	7.83	6.83	3.22	8.35	6.86	3.25	8.61	7.40	3.27	9.12	7.38	3.30	9.38	7.36	3.32	9.64	7.85	3.34												
46	4.42	4.42	2.35	4.93	4.64	2.39	5.09	5.04	2.40	5.43	5.06	2.43	5.60	5.47	2.44	5.93	5.45	2.46	6.10	5.44	2.48	6.27	5.80	2.49												



## 6-3. Heating capacity

**NOTE:** Values mentioned in the table are calculated based on the maximum capacity.

### Model: AOYG30LAT4

- TC: Total Capacity, IP: Input Power
- 3 or more indoor units should be connected.

#### Indoor units: 7,000 Btu

Outdoor temperature		Indoor temperature											
		°CDB		16		18		20		22		24	
		°CDB	°CWB	TC	IP	TC	IP	TC	IP	TC	IP	TC	IP
-10	-11	2.46	1.26	2.40	1.29	2.34	1.31	2.28	1.34	2.23	1.37		
-5	-7	2.67	1.24	2.60	1.26	2.54	1.29	2.48	1.31	2.41	1.34		
0	-2	2.74	1.12	2.67	1.14	2.61	1.16	2.54	1.19	2.48	1.21		
5	3	3.19	1.16	3.11	1.19	3.04	1.21	2.96	1.24	2.88	1.26		
7	6	3.47	1.20	3.38	1.23	3.30	1.25	3.22	1.28	3.14	1.30		
10	8	3.62	1.22	3.53	1.25	3.45	1.28	3.36	1.30	3.28	1.33		
15	10	3.64	1.24	3.55	1.26	3.47	1.29	3.38	1.31	3.29	1.34		
20	15	3.60	1.08	3.52	1.10	3.43	1.13	3.35	1.15	3.26	1.17		

#### Indoor units: 9,000 Btu

Outdoor temperature		Indoor temperature											
		°CDB		16		18		20		22		24	
		°CDB	°CWB	TC	IP	TC	IP	TC	IP	TC	IP	TC	IP
-10	-11	2.76	1.42	2.69	1.45	2.63	1.48	2.56	1.51	2.50	1.54		
-5	-7	2.99	1.39	2.92	1.42	2.85	1.45	2.78	1.48	2.71	1.51		
0	-2	3.07	1.26	3.00	1.29	2.92	1.31	2.85	1.34	2.78	1.36		
5	3	3.57	1.31	3.49	1.34	3.40	1.37	3.32	1.40	3.23	1.42		
7	6	3.89	1.35	3.79	1.38	3.70	1.41	3.61	1.44	3.52	1.47		
10	8	4.06	1.38	3.96	1.41	3.87	1.44	3.77	1.47	3.67	1.50		
15	10	4.08	1.39	3.98	1.42	3.89	1.45	3.79	1.48	3.69	1.51		
20	15	4.04	1.22	3.94	1.24	3.85	1.27	3.75	1.29	3.66	1.32		

#### Indoor units: 12,000 Btu

Outdoor temperature		Indoor temperature											
		°CDB		16		18		20		22		24	
		°CDB	°CWB	TC	IP	TC	IP	TC	IP	TC	IP	TC	IP
-10	-11	3.35	1.81	3.27	1.85	3.20	1.89	3.12	1.93	3.04	1.97		
-5	-7	3.64	1.78	3.55	1.82	3.47	1.85	3.38	1.89	3.29	1.93		
0	-2	3.73	1.61	3.64	1.64	3.56	1.67	3.47	1.71	3.38	1.74		
5	3	4.35	1.68	4.24	1.71	4.14	1.75	4.04	1.78	3.93	1.82		
7	6	4.73	1.73	4.61	1.76	4.50	1.80	4.39	1.84	4.28	1.87		
10	8	4.94	1.76	4.82	1.80	4.70	1.84	4.58	1.87	4.47	1.91		
15	10	4.96	1.78	4.84	1.82	4.73	1.85	4.61	1.89	4.49	1.93		
20	15	4.91	1.56	4.80	1.59	4.68	1.62	4.56	1.65	4.45	1.68		

#### Indoor units: 14,000 Btu

Outdoor temperature		Indoor temperature											
		°CDB		16		18		20		22		24	
		°CDB	°CWB	TC	IP	TC	IP	TC	IP	TC	IP	TC	IP
-10	-11	4.32	1.92	4.22	1.96	4.12	2.00	4.02	2.03	3.91	2.07		
-5	-7	4.69	1.88	4.58	1.92	4.47	1.96	4.35	2.00	4.24	2.04		
0	-2	4.81	1.70	4.70	1.73	4.58	1.77	4.47	1.80	4.35	1.84		
5	3	5.60	1.77	5.47	1.81	5.34	1.84	5.20	1.88	5.07	1.92		
7	6	6.09	1.82	5.95	1.86	5.80	1.90	5.66	1.94	5.51	1.98		
10	8	6.36	1.86	6.21	1.90	6.06	1.94	5.91	1.98	5.76	2.02		
15	10	6.39	1.88	6.24	1.92	6.09	1.96	5.94	2.00	5.79	2.04		
20	15	6.33	1.64	6.18	1.68	6.03	1.71	5.88	1.74	5.73	1.78		

## ☐ Indoor units: 18,000 Btu

			Indoor temperature									
°CDB			16		18		20		22		24	
Outdoor temperature	°CDB	°CWB	TC	IP	TC	IP	TC	IP	TC	IP	TC	IP
			kW	kW	kW	kW	kW	kW	kW	kW	kW	kW
	-10	-11	5.29	2.48	5.17	2.53	5.04	2.58	4.91	2.63	4.79	2.69
-5	-7	5.74	2.43	5.60	2.48	5.47	2.53	5.33	2.58	5.19	2.64	
0	-2	5.89	2.20	5.75	2.24	5.61	2.29	5.47	2.33	5.33	2.38	
5	3	6.86	2.29	6.70	2.34	6.53	2.39	6.37	2.43	6.21	2.48	
7	6	7.46	2.36	7.28	2.41	7.10	2.46	6.92	2.51	6.75	2.56	
10	8	7.79	2.41	7.60	2.46	7.42	2.51	7.23	2.56	7.05	2.61	
15	10	7.83	2.43	7.64	2.48	7.46	2.53	7.27	2.58	7.08	2.64	
20	15	7.75	2.13	7.57	2.17	7.38	2.21	7.20	2.30	7.01	2.30	

## ☐ Indoor units: 24,000 Btu

			Indoor temperature									
°CDB			16		18		20		22		24	
Outdoor temperature	°CDB	°CWB	TC	IP	TC	IP	TC	IP	TC	IP	TC	IP
			kW	kW	kW	kW	kW	kW	kW	kW	kW	kW
	-10	-11	6.80	3.36	6.64	3.43	6.48	3.50	6.32	3.57	6.16	3.58
-5	-7	7.37	3.29	7.20	3.36	7.02	3.43	6.84	3.50	6.67	3.57	
0	-2	7.56	2.97	7.38	3.03	7.20	3.10	7.02	3.16	6.84	3.22	
5	3	8.79	3.10	8.58	3.17	8.37	3.23	8.16	3.29	7.95	3.36	
7	6	9.45	3.20	9.23	3.26	9.00	3.33	8.78	3.40	8.55	3.46	
10	8	9.83	3.26	9.59	3.33	9.36	3.40	9.13	3.46	8.89	3.53	
15	10	9.83	3.20	9.59	3.26	9.36	3.33	9.13	3.34	8.89	3.34	
20	15	8.51	2.21	8.30	2.30	8.10	2.30	7.90	2.30	7.70	2.30	

## ☐ Indoor units: 7,000 Btu + 7,000 Btu

			Indoor temperature									
°CDB			16		18		20		22		24	
Outdoor temperature	°CDB	°CWB	TC	IP	TC	IP	TC	IP	TC	IP	TC	IP
			kW	kW	kW	kW	kW	kW	kW	kW	kW	kW
	-10	-11	4.40	1.81	4.29	1.85	4.19	1.89	4.08	1.93	3.98	1.97
-5	-7	4.77	1.78	4.66	1.82	4.54	1.85	4.43	1.89	4.32	1.93	
0	-2	4.89	1.61	4.78	1.64	4.66	1.67	4.54	1.71	4.43	1.74	
5	3	5.70	1.68	5.56	1.71	5.43	1.75	5.29	1.78	5.16	1.82	
7	6	6.20	1.73	6.05	1.76	5.90	1.80	5.75	1.84	5.61	1.87	
10	8	6.47	1.76	6.32	1.80	6.17	1.84	6.01	1.87	5.86	1.91	
15	10	6.50	1.78	6.35	1.82	6.20	1.85	6.04	1.89	5.89	1.93	
20	15	6.44	1.56	6.29	1.59	6.14	1.62	5.98	1.65	5.83	1.68	

## ☐ Indoor units: 7,000 Btu + 9,000 Btu

			Indoor temperature									
°CDB			16		18		20		22		24	
Outdoor temperature	°CDB	°CWB	TC	IP	TC	IP	TC	IP	TC	IP	TC	IP
			kW	kW	kW	kW	kW	kW	kW	kW	kW	kW
	-10	-11	5.37	2.52	5.24	2.57	5.11	2.63	4.98	2.68	4.86	2.73
-5	-7	5.82	2.47	5.68	2.52	5.54	2.58	5.41	2.63	5.27	2.68	
0	-2	5.97	2.23	5.83	2.28	5.69	2.33	5.55	2.37	5.40	2.42	
5	3	6.96	2.33	6.79	2.38	6.62	2.43	6.46	2.47	6.29	2.52	
7	6	7.56	2.40	7.38	2.45	7.20	2.50	7.02	2.55	6.84	2.60	
10	8	7.90	2.45	7.71	2.50	7.52	2.55	7.34	2.60	7.15	2.65	
15	10	7.94	2.47	7.75	2.52	7.56	2.58	7.37	2.63	7.18	2.68	
20	15	7.86	2.21	7.68	2.30	7.49	2.30	7.30	2.30	7.11	2.30	

## ☐ Indoor units: 7,000 Btu + 12,000 Btu

			Indoor temperature									
°CDB			16		18		20		22		24	
Outdoor temperature	°CDB	°CWB	TC	IP	TC	IP	TC	IP	TC	IP	TC	IP
			kW	kW	kW	kW	kW	kW	kW	kW	kW	kW
	-10	-11	5.44	2.47	5.31	2.52	5.18	2.57	5.05	2.62	4.92	2.68
-5	-7	5.90	2.42	5.76	2.47	5.62	2.52	5.48	2.57	5.34	2.62	
0	-2	6.05	2.19	5.90	2.23	5.76	2.28	5.62	2.32	5.47	2.37	
5	3	7.03	2.28	6.86	2.33	6.70	2.38	6.53	2.42	6.36	2.47	
7	6	7.56	2.35	7.38	2.40	7.20	2.45	7.02	2.50	6.84	2.55	
10	8	7.86	2.40	7.68	2.45	7.49	2.50	7.30	2.55	7.11	2.60	
15	10	7.86	2.35	7.68	2.40	7.49	2.45	7.30	2.50	7.11	2.55	
20	15	6.80	1.88	6.64	1.92	6.48	1.96	6.32	2.00	6.16	2.04	

Indoor units: 7,000 Btu + 14,000 Btu

		Indoor temperature										
°CDB		16		18		20		22		24		
Outdoor temperature	°CDB	°CWB	TC	IP	TC	IP	TC	IP	TC	IP	TC	IP
			kW	kW	kW	kW	kW	kW	kW	kW	kW	kW
	-10	-11	6.58	2.90	6.42	2.96	6.26	3.02	6.11	3.08	5.95	3.14
	-5	-7	7.13	2.85	6.96	2.91	6.79	2.97	6.62	3.03	6.45	3.09
	0	-2	7.31	2.57	7.13	2.62	6.96	2.68	6.79	2.73	6.61	2.79
	5	3	8.50	2.68	8.29	2.74	8.09	2.79	7.89	2.85	7.69	2.91
	7	6	9.14	2.76	8.92	2.82	8.70	2.88	8.48	2.94	8.27	3.00
	10	8	9.50	2.82	9.27	2.88	9.05	2.94	8.82	3.00	8.60	3.06
	15	10	9.50	2.76	9.27	2.82	9.05	2.88	8.82	2.94	8.60	3.00
	20	15	8.22	2.21	8.03	2.30	7.83	2.30	7.63	2.30	7.44	2.30

Indoor units: 7,000 Btu + 18,000 Btu

		Indoor temperature										
°CDB		16		18		20		22		24		
Outdoor temperature	°CDB	°CWB	TC	IP	TC	IP	TC	IP	TC	IP	TC	IP
			kW	kW	kW	kW	kW	kW	kW	kW	kW	kW
	-10	-11	6.71	2.76	6.55	2.82	6.39	2.88	6.23	2.94	6.07	3.00
	-5	-7	7.40	2.85	7.23	2.91	7.05	2.97	6.87	3.03	6.70	3.09
	0	-2	8.29	2.79	8.09	2.85	7.90	2.91	7.70	2.97	7.50	3.03
	5	3	9.18	2.88	8.96	2.94	8.74	3.00	8.52	3.06	8.30	3.12
	7	6	9.87	2.88	9.64	2.94	9.40	3.00	9.17	3.06	8.93	3.12
	10	8	10.26	2.88	10.02	2.94	9.78	3.00	9.53	3.06	9.29	3.12
	15	10	10.26	2.68	10.02	2.73	9.78	2.79	9.53	2.85	9.29	2.90
	20	15	8.88	1.87	8.67	1.91	8.46	1.95	8.25	1.99	8.04	2.03

Indoor units: 7,000 Btu + 24,000 Btu

		Indoor temperature										
°CDB		16		18		20		22		24		
Outdoor temperature	°CDB	°CWB	TC	IP	TC	IP	TC	IP	TC	IP	TC	IP
			kW	kW	kW	kW	kW	kW	kW	kW	kW	kW
	-10	-11	7.53	3.19	7.35	3.26	7.17	3.33	6.99	3.39	6.81	3.46
	-5	-7	8.31	3.29	8.12	3.36	7.92	3.43	7.72	3.50	7.52	3.57
	0	-2	9.44	3.36	9.21	3.43	8.99	3.50	8.76	3.57	8.54	3.58
	5	3	10.45	3.36	10.20	3.43	9.95	3.50	9.70	3.58	9.45	3.58
	7	6	11.24	3.36	10.97	3.43	10.70	3.50	10.43	3.58	10.17	3.58
	10	8	11.68	3.36	11.41	3.43	11.13	3.50	10.85	3.58	10.57	3.58
	15	10	11.63	3.12	11.35	3.19	11.07	3.26	10.80	3.32	10.52	3.34
	20	15	9.89	2.21	9.65	2.30	9.42	2.30	9.18	2.30	8.95	2.30

Indoor units: 9,000 Btu + 9,000 Btu

		Indoor temperature										
°CDB		16		18		20		22		24		
Outdoor temperature	°CDB	°CWB	TC	IP	TC	IP	TC	IP	TC	IP	TC	IP
			kW	kW	kW	kW	kW	kW	kW	kW	kW	kW
	-10	-11	5.52	2.52	5.39	2.57	5.25	2.63	5.12	2.68	4.99	2.73
	-5	-7	5.98	2.47	5.84	2.52	5.70	2.58	5.56	2.63	5.41	2.68
	0	-2	6.14	2.23	5.99	2.28	5.85	2.33	5.70	2.37	5.55	2.42
	5	3	7.15	2.33	6.98	2.38	6.81	2.43	6.64	2.47	6.47	2.52
	7	6	7.77	2.40	7.59	2.45	7.40	2.50	7.22	2.55	7.03	2.60
	10	8	8.12	2.45	7.93	2.50	7.73	2.55	7.54	2.60	7.35	2.65
	15	10	8.16	2.47	7.96	2.52	7.77	2.58	7.58	2.63	7.38	2.68
	20	15	8.08	2.21	7.89	2.30	7.70	2.30	7.50	2.30	7.31	2.30

Indoor units: 9,000 Btu + 12,000 Btu

		Indoor temperature										
°CDB		16		18		20		22		24		
Outdoor temperature	°CDB	°CWB	TC	IP	TC	IP	TC	IP	TC	IP	TC	IP
			kW	kW	kW	kW	kW	kW	kW	kW	kW	kW
	-10	-11	6.27	3.10	6.13	3.17	5.98	3.23	5.83	3.30	5.68	3.36
	-5	-7	6.80	3.05	6.64	3.11	6.47	3.17	6.31	3.24	6.15	3.30
	0	-2	6.97	2.75	6.81	2.81	6.64	2.86	6.47	2.92	6.31	2.98
	5	3	8.10	2.87	7.91	2.93	7.72	2.99	7.53	3.05	7.33	3.11
	7	6	8.72	2.96	8.51	3.02	8.30	3.08	8.09	3.14	7.89	3.20
	10	8	9.06	3.02	8.85	3.08	8.63	3.14	8.42	3.20	8.20	3.27
	15	10	9.06	2.96	8.85	3.02	8.63	3.08	8.42	3.14	8.20	3.20
	20	15	7.84	2.21	7.66	2.30	7.47	2.30	7.28	2.30	7.10	2.30

## □ Indoor units: 9,000 Btu + 14,000 Btu

		Indoor temperature										
°CDB		16		18		20		22		24		
Outdoor temperature	°CDB	°CWB	TC	IP	TC	IP	TC	IP	TC	IP	TC	IP
			kW	kW	kW	kW	kW	kW	kW	kW	kW	kW
-10	-11		7.03	3.33	6.86	3.40	6.70	3.47	6.53	3.53	6.36	3.58
-5	-7		7.62	3.26	7.44	3.33	7.25	3.40	7.07	3.47	6.89	3.53
0	-2		7.81	2.95	7.63	3.01	7.44	3.07	7.25	3.13	7.07	3.19
5	3		9.08	3.07	8.87	3.14	8.65	3.20	8.43	3.27	8.22	3.33
7	6		9.77	3.17	9.53	3.23	9.30	3.30	9.07	3.37	8.84	3.43
10	8		10.16	3.23	9.91	3.30	9.67	3.37	9.43	3.43	9.19	3.50
15	10		10.16	3.17	9.91	3.23	9.67	3.30	9.43	3.34	9.19	3.34
20	15		8.79	2.21	8.58	2.30	8.37	2.30	8.16	2.30	7.95	2.30

## □ Indoor units: 9,000 Btu + 18,000 Btu

		Indoor temperature										
°CDB		16		18		20		22		24		
Outdoor temperature	°CDB	°CWB	TC	IP	TC	IP	TC	IP	TC	IP	TC	IP
			kW	kW	kW	kW	kW	kW	kW	kW	kW	kW
-10	-11		7.21	3.13	7.04	3.20	6.87	3.26	6.70	3.33	6.52	3.39
-5	-7		7.95	3.23	7.76	3.30	7.58	3.37	7.39	3.43	7.20	3.50
0	-2		8.91	3.17	8.70	3.23	8.48	3.30	8.27	3.36	8.06	3.43
5	3		9.86	3.26	9.63	3.33	9.39	3.40	9.16	3.47	8.92	3.54
7	6		10.61	3.26	10.35	3.33	10.10	3.40	9.85	3.47	9.60	3.54
10	8		11.03	3.26	10.77	3.33	10.50	3.40	10.24	3.47	9.98	3.54
15	10		11.03	3.04	10.77	3.10	10.50	3.16	10.24	3.23	9.98	3.29
20	15		9.54	2.12	9.32	2.17	9.09	2.21	8.86	2.30	8.64	2.30

## □ Indoor units: 9,000 Btu + 24,000 Btu

		Indoor temperature										
°CDB		16		18		20		22		24		
Outdoor temperature	°CDB	°CWB	TC	IP	TC	IP	TC	IP	TC	IP	TC	IP
			kW	kW	kW	kW	kW	kW	kW	kW	kW	kW
-10	-11		7.74	3.19	7.55	3.26	7.37	3.33	7.19	3.39	7.00	3.46
-5	-7		8.55	3.29	8.34	3.36	8.14	3.43	7.94	3.50	7.73	3.57
0	-2		9.70	3.36	9.47	3.43	9.24	3.50	9.01	3.57	8.78	3.58
5	3		10.74	3.36	10.49	3.43	10.23	3.50	9.97	3.58	9.72	3.58
7	6		11.55	3.36	11.28	3.43	11.00	3.50	10.73	3.58	10.45	3.58
10	8		12.01	3.36	11.73	3.43	11.44	3.50	11.15	3.58	10.87	3.58
15	10		11.95	3.12	11.67	3.19	11.39	3.26	11.10	3.32	10.82	3.34
20	15		10.16	2.21	9.92	2.30	9.68	2.30	9.44	2.30	9.20	2.30

## □ Indoor units: 12,000 Btu + 12,000 Btu

		Indoor temperature										
°CDB		16		18		20		22		24		
Outdoor temperature	°CDB	°CWB	TC	IP	TC	IP	TC	IP	TC	IP	TC	IP
			kW	kW	kW	kW	kW	kW	kW	kW	kW	kW
-10	-11		6.65	3.33	6.49	3.40	6.34	3.47	6.18	3.53	6.02	3.58
-5	-7		7.21	3.26	7.04	3.33	6.86	3.40	6.69	3.47	6.52	3.53
0	-2		7.39	2.95	7.22	3.01	7.04	3.07	6.86	3.13	6.69	3.19
5	3		8.59	3.07	8.39	3.14	8.18	3.20	7.98	3.27	7.77	3.33
7	6		9.24	3.17	9.02	3.23	8.80	3.30	8.58	3.37	8.36	3.43
10	8		9.61	3.23	9.38	3.30	9.15	3.37	8.92	3.43	8.69	3.50
15	10		9.61	3.17	9.38	3.23	9.15	3.30	8.92	3.34	8.69	3.34
20	15		8.32	2.21	8.12	2.30	7.92	2.30	7.72	2.30	7.52	2.30

## □ Indoor units: 12,000 Btu + 14,000 Btu

		Indoor temperature										
°CDB		16		18		20		22		24		
Outdoor temperature	°CDB	°CWB	TC	IP	TC	IP	TC	IP	TC	IP	TC	IP
			kW	kW	kW	kW	kW	kW	kW	kW	kW	kW
-10	-11		7.00	3.23	6.83	3.29	6.66	3.36	6.50	3.43	6.33	3.49
-5	-7		7.72	3.33	7.53	3.40	7.35	3.47	7.17	3.53	6.98	3.58
0	-2		8.64	3.26	8.44	3.33	8.23	3.40	8.03	3.46	7.82	3.53
5	3		9.57	3.36	9.34	3.43	9.11	3.50	8.89	3.58	8.66	3.58
7	6		10.29	3.36	10.05	3.43	9.80	3.50	9.56	3.58	9.31	3.58
10	8		10.70	3.36	10.45	3.43	10.19	3.50	9.94	3.58	9.68	3.58
15	10		10.70	3.12	10.45	3.19	10.19	3.26	9.94	3.32	9.68	3.34
20	15		9.26	2.21	9.04	2.30	8.82	2.30	8.60	2.30	8.38	2.30

Indoor units: 12,000 Btu + 18,000 Btu

		Indoor temperature										
°CDB		16		18		20		22		24		
Outdoor temperature	°CDB	°CWB	TC	IP	TC	IP	TC	IP	TC	IP	TC	IP
			kW	kW	kW	kW	kW	kW	kW	kW	kW	kW
	-10	-11		7.35	3.23	7.18	3.29	7.00	3.36	6.83	3.43	6.65
-5	-7		8.11	3.33	7.92	3.40	7.73	3.47	7.53	3.53	7.34	3.58
0	-2		9.08	3.26	8.87	3.33	8.65	3.40	8.44	3.46	8.22	3.53
5	3		10.06	3.36	9.82	3.43	9.58	3.50	9.34	3.58	9.10	3.58
7	6		10.82	3.36	10.56	3.43	10.30	3.50	10.04	3.58	9.79	3.58
10	8		11.25	3.36	10.98	3.43	10.71	3.50	10.44	3.58	10.18	3.58
15	10		11.25	3.12	10.98	3.19	10.71	3.26	10.44	3.32	10.18	3.34
20	15		9.73	2.21	9.50	2.30	9.27	2.30	9.04	2.30	8.81	2.30

Indoor units: 12,000 Btu + 24,000 Btu

		Indoor temperature										
°CDB		16		18		20		22		24		
Outdoor temperature	°CDB	°CWB	TC	IP	TC	IP	TC	IP	TC	IP	TC	IP
			kW	kW	kW	kW	kW	kW	kW	kW	kW	kW
	-10	-11		7.74	3.19	7.55	3.26	7.37	3.33	7.19	3.39	7.00
-5	-7		8.55	3.29	8.34	3.36	8.14	3.43	7.94	3.50	7.73	3.57
0	-2		9.70	3.36	9.47	3.43	9.24	3.50	9.01	3.57	8.78	3.58
5	3		10.74	3.36	10.49	3.43	10.23	3.50	9.97	3.58	9.72	3.58
7	6		11.55	3.36	11.28	3.43	11.00	3.50	10.73	3.58	10.45	3.58
10	8		12.01	3.36	11.73	3.43	11.44	3.50	11.15	3.58	10.87	3.58
15	10		11.95	3.12	11.67	3.19	11.39	3.26	11.10	3.32	10.82	3.34
20	15		10.16	2.21	9.92	2.30	9.68	2.30	9.44	2.30	9.20	2.30

Indoor units: 14,000 Btu + 14,000 Btu

		Indoor temperature										
°CDB		16		18		20		22		24		
Outdoor temperature	°CDB	°CWB	TC	IP	TC	IP	TC	IP	TC	IP	TC	IP
			kW	kW	kW	kW	kW	kW	kW	kW	kW	kW
	-10	-11		7.35	3.23	7.18	3.29	7.00	3.36	6.83	3.43	6.65
-5	-7		8.11	3.33	7.92	3.40	7.73	3.47	7.53	3.53	7.34	3.58
0	-2		9.08	3.26	8.87	3.33	8.65	3.40	8.44	3.46	8.22	3.53
5	3		10.06	3.36	9.82	3.43	9.58	3.50	9.34	3.58	9.10	3.58
7	6		10.82	3.36	10.56	3.43	10.30	3.50	10.04	3.58	9.79	3.58
10	8		11.25	3.36	10.98	3.43	10.71	3.50	10.44	3.58	10.18	3.58
15	10		11.25	3.12	10.98	3.19	10.71	3.26	10.44	3.32	10.18	3.34
20	15		9.73	2.21	9.50	2.30	9.27	2.30	9.04	2.30	8.81	2.30

Indoor units: 14,000 Btu + 18,000 Btu

		Indoor temperature										
°CDB		16		18		20		22		24		
Outdoor temperature	°CDB	°CWB	TC	IP	TC	IP	TC	IP	TC	IP	TC	IP
			kW	kW	kW	kW	kW	kW	kW	kW	kW	kW
	-10	-11		7.81	3.19	7.62	3.26	7.44	3.33	7.25	3.39	7.07
-5	-7		8.62	3.29	8.42	3.36	8.21	3.43	8.01	3.50	7.80	3.57
0	-2		9.79	3.36	9.56	3.43	9.32	3.50	9.09	3.57	8.86	3.58
5	3		10.84	3.36	10.58	3.43	10.32	3.50	10.06	3.58	9.81	3.58
7	6		11.66	3.36	11.38	3.43	11.10	3.50	10.82	3.58	10.55	3.58
10	8		12.12	3.36	11.83	3.43	11.54	3.50	11.26	3.58	10.97	3.58
15	10		12.06	3.12	11.78	3.19	11.49	3.26	11.20	3.32	10.91	3.34
20	15		10.26	2.21	10.01	2.30	9.77	2.30	9.52	2.30	9.28	2.30

Indoor units: 14,000 Btu + 24,000 Btu

		Indoor temperature										
°CDB		16		18		20		22		24		
Outdoor temperature	°CDB	°CWB	TC	IP	TC	IP	TC	IP	TC	IP	TC	IP
			kW	kW	kW	kW	kW	kW	kW	kW	kW	kW
	-10	-11		7.73	3.06	7.54	3.12	7.36	3.19	7.18	3.25	6.99
-5	-7		8.69	3.19	8.49	3.26	8.28	3.33	8.07	3.39	7.87	3.46
0	-2		10.02	3.36	9.78	3.43	9.55	3.50	9.31	3.57	9.07	3.58
5	3		11.29	3.36	11.02	3.43	10.75	3.50	10.48	3.58	10.21	3.58
7	6		12.08	3.36	11.79	3.43	11.50	3.50	11.21	3.58	10.93	3.58
10	8		12.56	3.36	12.26	3.43	11.96	3.50	11.66	3.58	11.36	3.58
15	10		12.50	3.12	12.20	3.19	11.90	3.26	11.60	3.32	11.31	3.34
20	15		10.63	2.21	10.37	2.30	10.12	2.30	9.87	2.30	9.61	2.30

**□ Indoor units: 18,000 Btu + 18,000 Btu**

		Indoor temperature										
°CDB		16		18		20		22		24		
Outdoor temperature	°CDB	°CWB	TC	IP	TC	IP	TC	IP	TC	IP	TC	IP
			kW	kW	kW	kW	kW	kW	kW	kW	kW	kW
	-10	-11	8.09	3.19	7.90	3.26	7.71	3.33	7.51	3.39	7.32	3.46
	-5	-7	8.94	3.29	8.72	3.36	8.51	3.43	8.30	3.50	8.08	3.57
	0	-2	10.14	3.36	9.90	3.43	9.66	3.50	9.42	3.57	9.18	3.58
	5	3	11.23	3.36	10.96	3.43	10.70	3.50	10.43	3.58	10.16	3.58
	7	6	12.08	3.36	11.79	3.43	11.50	3.50	11.21	3.58	10.93	3.58
	10	8	12.56	3.36	12.26	3.43	11.96	3.50	11.66	3.58	11.36	3.58
	15	10	12.50	3.12	12.20	3.19	11.90	3.26	11.60	3.32	11.31	3.34
	20	15	10.63	2.21	10.37	2.30	10.12	2.30	9.87	2.30	9.61	2.30

**□ Indoor units: 18,000 Btu + 24,000 Btu**

		Indoor temperature										
°CDB		16		18		20		22		24		
Outdoor temperature	°CDB	°CWB	TC	IP	TC	IP	TC	IP	TC	IP	TC	IP
			kW	kW	kW	kW	kW	kW	kW	kW	kW	kW
	-10	-11	7.80	3.06	7.61	3.12	7.42	3.19	7.24	3.25	7.05	3.31
	-5	-7	8.77	3.19	8.56	3.26	8.35	3.33	8.14	3.39	7.93	3.46
	0	-2	10.11	3.36	9.87	3.43	9.63	3.50	9.39	3.57	9.15	3.58
	5	3	11.39	3.36	11.12	3.43	10.85	3.50	10.57	3.58	10.30	3.58
	7	6	12.18	3.36	11.89	3.43	11.60	3.50	11.31	3.58	11.02	3.58
	10	8	12.67	3.36	12.37	3.43	12.06	3.50	11.76	3.58	11.46	3.58
	15	10	12.61	3.12	12.31	3.19	12.01	3.26	11.71	3.32	11.41	3.34
	20	15	10.72	2.21	10.46	2.30	10.21	2.30	9.95	2.30	9.70	2.30

**□ Indoor units: 7,000 Btu + 7,000 Btu + 7,000 Btu**

		Indoor temperature										
°CDB		16		18		20		22		24		
Outdoor temperature	°CDB	°CWB	TC	IP	TC	IP	TC	IP	TC	IP	TC	IP
			kW	kW	kW	kW	kW	kW	kW	kW	kW	kW
	-10	-11	6.65	2.67	6.49	2.73	6.34	2.78	6.18	2.84	6.02	2.89
	-5	-7	7.21	2.62	7.04	2.67	6.86	2.73	6.69	2.78	6.52	2.84
	0	-2	7.39	2.37	7.22	2.42	7.04	2.46	6.86	2.51	6.69	2.56
	5	3	8.59	2.47	8.39	2.52	8.18	2.57	7.98	2.62	7.77	2.67
	7	6	9.24	2.54	9.02	2.60	8.80	2.65	8.58	2.70	8.36	2.76
	10	8	9.61	2.59	9.38	2.65	9.15	2.70	8.92	2.76	8.69	2.81
	15	10	9.61	2.54	9.38	2.60	9.15	2.65	8.92	2.70	8.69	2.76
	20	15	8.32	2.04	8.12	2.08	7.92	2.12	7.72	2.16	7.52	2.20

**□ Indoor units: 7,000 Btu + 7,000 Btu + 9,000 Btu**

		Indoor temperature										
°CDB		16		18		20		22		24		
Outdoor temperature	°CDB	°CWB	TC	IP	TC	IP	TC	IP	TC	IP	TC	IP
			kW	kW	kW	kW	kW	kW	kW	kW	kW	kW
	-10	-11	7.03	2.87	6.86	2.93	6.70	2.99	6.53	3.05	6.36	3.11
	-5	-7	7.62	2.82	7.44	2.88	7.25	2.94	7.07	2.99	6.89	3.05
	0	-2	7.81	2.54	7.63	2.60	7.44	2.65	7.25	2.70	7.07	2.76
	5	3	9.08	2.65	8.87	2.71	8.65	2.76	8.43	2.82	8.22	2.88
	7	6	9.77	2.74	9.53	2.79	9.30	2.85	9.07	2.91	8.84	2.96
	10	8	10.16	2.79	9.91	2.85	9.67	2.91	9.43	2.97	9.19	3.02
	15	10	10.16	2.74	9.91	2.79	9.67	2.85	9.43	2.91	9.19	2.96
	20	15	8.79	2.21	8.58	2.30	8.37	2.30	8.16	2.30	7.95	2.30

**□ Indoor units: 7,000 Btu + 7,000 Btu + 12,000 Btu**

		Indoor temperature										
°CDB		16		18		20		22		24		
Outdoor temperature	°CDB	°CWB	TC	IP	TC	IP	TC	IP	TC	IP	TC	IP
			kW	kW	kW	kW	kW	kW	kW	kW	kW	kW
	-10	-11	6.93	2.86	6.76	2.92	6.60	2.98	6.43	3.04	6.27	3.10
	-5	-7	7.64	2.95	7.46	3.01	7.28	3.07	7.09	3.13	6.91	3.19
	0	-2	8.56	2.89	8.35	2.95	8.15	3.01	7.94	3.07	7.74	3.13
	5	3	9.47	2.98	9.25	3.04	9.02	3.10	8.80	3.16	8.57	3.22
	7	6	10.19	2.98	9.94	3.04	9.70	3.10	9.46	3.16	9.22	3.22
	10	8	10.59	2.98	10.34	3.04	10.09	3.10	9.84	3.16	9.58	3.22
	15	10	10.59	2.77	10.34	2.83	10.09	2.88	9.84	2.94	9.58	3.00
	20	15	9.17	1.93	8.95	1.97	8.73	2.02	8.51	2.06	8.29	2.10

Indoor units: 7,000 Btu + 7,000 Btu + 14,000 Btu

		Indoor temperature										
°CDB		16		18		20		22		24		
Outdoor temperature	°CDB	°CWB	TC	IP	TC	IP	TC	IP	TC	IP	TC	IP
			kW	kW	kW	kW	kW	kW	kW	kW	kW	kW
	-10	-11	7.21	3.25	7.04	3.32	6.87	3.39	6.70	3.46	6.52	3.52
-5	-7	7.95	3.35	7.76	3.42	7.58	3.49	7.39	3.56	7.20	3.58	
0	-2	8.91	3.29	8.70	3.36	8.48	3.42	8.27	3.49	8.06	3.56	
5	3	9.86	3.39	9.63	3.46	9.39	3.53	9.16	3.58	8.92	3.58	
7	6	10.61	3.39	10.35	3.46	10.10	3.53	9.85	3.58	9.60	3.58	
10	8	11.03	3.39	10.77	3.46	10.50	3.53	10.24	3.58	9.98	3.58	
15	10	11.03	3.15	10.77	3.22	10.50	3.28	10.24	3.34	9.98	3.34	
20	15	9.54	2.21	9.32	2.30	9.09	2.30	8.86	2.30	8.64	2.30	

Indoor units: 7,000 Btu + 7,000 Btu + 18,000 Btu

		Indoor temperature										
°CDB		16		18		20		22		24		
Outdoor temperature	°CDB	°CWB	TC	IP	TC	IP	TC	IP	TC	IP	TC	IP
			kW	kW	kW	kW	kW	kW	kW	kW	kW	kW
	-10	-11	7.88	3.21	7.69	3.28	7.50	3.34	7.32	3.41	7.13	3.48
-5	-7	8.70	3.31	8.50	3.38	8.29	3.45	8.08	3.52	7.87	3.58	
0	-2	9.88	3.38	9.64	3.45	9.41	3.52	9.17	3.58	8.94	3.58	
5	3	10.94	3.38	10.68	3.45	10.42	3.52	10.16	3.58	9.90	3.58	
7	6	11.76	3.38	11.48	3.45	11.20	3.52	10.92	3.58	10.64	3.58	
10	8	12.23	3.38	11.94	3.45	11.65	3.52	11.36	3.58	11.07	3.58	
15	10	12.17	3.14	11.88	3.21	11.59	3.27	11.30	3.34	11.01	3.34	
20	15	10.35	2.21	10.10	2.30	9.86	2.30	9.61	2.30	9.36	2.30	

Indoor units: 7,000 Btu + 7,000 Btu + 24,000 Btu

		Indoor temperature										
°CDB		16		18		20		22		24		
Outdoor temperature	°CDB	°CWB	TC	IP	TC	IP	TC	IP	TC	IP	TC	IP
			kW	kW	kW	kW	kW	kW	kW	kW	kW	kW
	-10	-11	7.73	3.08	7.54	3.14	7.36	3.20	7.18	3.27	6.99	3.33
-5	-7	8.69	3.21	8.49	3.28	8.28	3.34	8.07	3.41	7.87	3.48	
0	-2	10.02	3.38	9.78	3.45	9.55	3.52	9.31	3.58	9.07	3.58	
5	3	11.29	3.38	11.02	3.45	10.75	3.52	10.48	3.58	10.21	3.58	
7	6	12.08	3.38	11.79	3.45	11.50	3.52	11.21	3.58	10.93	3.58	
10	8	12.56	3.38	12.26	3.45	11.96	3.52	11.66	3.58	11.36	3.58	
15	10	12.50	3.14	12.20	3.21	11.90	3.27	11.60	3.34	11.31	3.34	
20	15	10.63	2.21	10.37	2.30	10.12	2.30	9.87	2.30	9.61	2.30	

Indoor units: 7,000 Btu + 9,000 Btu + 9,000 Btu

		Indoor temperature										
°CDB		16		18		20		22		24		
Outdoor temperature	°CDB	°CWB	TC	IP	TC	IP	TC	IP	TC	IP	TC	IP
			kW	kW	kW	kW	kW	kW	kW	kW	kW	kW
	-10	-11	6.93	2.86	6.76	2.92	6.60	2.98	6.43	3.04	6.27	3.10
-5	-7	7.64	2.95	7.46	3.01	7.28	3.07	7.09	3.13	6.91	3.19	
0	-2	8.56	2.89	8.35	2.95	8.15	3.01	7.94	3.07	7.74	3.13	
5	3	9.47	2.98	9.25	3.04	9.02	3.10	8.80	3.16	8.57	3.22	
7	6	10.19	2.98	9.94	3.04	9.70	3.10	9.46	3.16	9.22	3.22	
10	8	10.59	2.98	10.34	3.04	10.09	3.10	9.84	3.16	9.58	3.22	
15	10	10.59	2.77	10.34	2.83	10.09	2.88	9.84	2.94	9.58	3.00	
20	15	9.17	1.93	8.95	1.97	8.73	2.02	8.51	2.06	8.29	2.10	

Indoor units: 7,000 Btu + 9,000 Btu + 12,000 Btu

		Indoor temperature										
°CDB		16		18		20		22		24		
Outdoor temperature	°CDB	°CWB	TC	IP	TC	IP	TC	IP	TC	IP	TC	IP
			kW	kW	kW	kW	kW	kW	kW	kW	kW	kW
	-10	-11	7.14	3.23	6.97	3.30	6.80	3.37	6.63	3.44	6.46	3.50
-5	-7	7.88	3.34	7.69	3.41	7.50	3.47	7.31	3.54	7.13	3.58	
0	-2	8.82	3.27	8.61	3.34	8.40	3.40	8.19	3.47	7.98	3.54	
5	3	9.77	3.37	9.53	3.44	9.30	3.51	9.07	3.58	8.84	3.58	
7	6	10.50	3.37	10.25	3.44	10.00	3.51	9.75	3.58	9.50	3.58	
10	8	10.92	3.37	10.66	3.44	10.40	3.51	10.14	3.58	9.88	3.58	
15	10	10.92	3.13	10.66	3.20	10.40	3.26	10.14	3.33	9.88	3.34	
20	15	9.45	2.21	9.23	2.30	9.00	2.30	8.78	2.30	8.55	2.30	

Indoor units: 7,000 Btu + 9,000 Btu + 14,000 Btu

			Indoor temperature									
°CDB			16		18		20		22		24	
Outdoor temperature	°CDB	°CWB	TC	IP	TC	IP	TC	IP	TC	IP	TC	IP
			kW	kW	kW	kW	kW	kW	kW	kW	kW	kW
-10	-11		7.28	3.23	7.11	3.29	6.94	3.36	6.76	3.43	6.59	3.49
-5	-7		8.03	3.33	7.84	3.40	7.65	3.47	7.46	3.53	7.27	3.58
0	-2		9.00	3.26	8.78	3.33	8.57	3.40	8.35	3.46	8.14	3.53
5	3		9.96	3.36	9.72	3.43	9.49	3.50	9.25	3.58	9.01	3.58
7	6		10.71	3.36	10.46	3.43	10.20	3.50	9.95	3.58	9.69	3.58
10	8		11.14	3.36	10.87	3.43	10.61	3.50	10.34	3.58	10.08	3.58
15	10		11.14	3.12	10.87	3.19	10.61	3.26	10.34	3.32	10.08	3.34
20	15		9.64	2.21	9.41	2.30	9.18	2.30	8.95	2.30	8.72	2.30

Indoor units: 7,000 Btu + 9,000 Btu + 18,000 Btu

			Indoor temperature									
°CDB			16		18		20		22		24	
Outdoor temperature	°CDB	°CWB	TC	IP	TC	IP	TC	IP	TC	IP	TC	IP
			kW	kW	kW	kW	kW	kW	kW	kW	kW	kW
-10	-11		7.95	3.19	7.76	3.26	7.57	3.33	7.38	3.39	7.19	3.46
-5	-7		8.78	3.29	8.57	3.36	8.36	3.43	8.15	3.50	7.94	3.57
0	-2		9.97	3.36	9.73	3.43	9.49	3.50	9.25	3.57	9.02	3.58
5	3		11.03	3.36	10.77	3.43	10.51	3.50	10.25	3.58	9.98	3.58
7	6		11.87	3.36	11.58	3.43	11.30	3.50	11.02	3.58	10.74	3.58
10	8		12.34	3.36	12.05	3.43	11.75	3.50	11.46	3.58	11.16	3.58
15	10		12.28	3.12	11.99	3.19	11.70	3.26	11.40	3.32	11.11	3.34
20	15		10.44	2.21	10.19	2.30	9.94	2.30	9.70	2.30	9.45	2.30

Indoor units: 7,000 Btu + 9,000 Btu + 24,000 Btu

			Indoor temperature									
°CDB			16		18		20		22		24	
Outdoor temperature	°CDB	°CWB	TC	IP	TC	IP	TC	IP	TC	IP	TC	IP
			kW	kW	kW	kW	kW	kW	kW	kW	kW	kW
-10	-11		7.73	3.07	7.54	3.13	7.36	3.19	7.18	3.26	6.99	3.32
-5	-7		8.69	3.20	8.49	3.27	8.28	3.33	8.07	3.40	7.87	3.47
0	-2		10.02	3.37	9.78	3.44	9.55	3.51	9.31	3.58	9.07	3.58
5	3		11.29	3.37	11.02	3.44	10.75	3.51	10.48	3.58	10.21	3.58
7	6		12.08	3.37	11.79	3.44	11.50	3.51	11.21	3.58	10.93	3.58
10	8		12.56	3.37	12.26	3.44	11.96	3.51	11.66	3.58	11.36	3.58
15	10		12.50	3.13	12.20	3.20	11.90	3.26	11.60	3.33	11.31	3.34
20	15		10.63	2.21	10.37	2.30	10.12	2.30	9.87	2.30	9.61	2.30

Indoor units: 7,000 Btu + 12,000 Btu + 12,000 Btu

			Indoor temperature									
°CDB			16		18		20		22		24	
Outdoor temperature	°CDB	°CWB	TC	IP	TC	IP	TC	IP	TC	IP	TC	IP
			kW	kW	kW	kW	kW	kW	kW	kW	kW	kW
-10	-11		7.11	3.17	6.94	3.24	6.77	3.31	6.60	3.37	6.43	3.44
-5	-7		7.85	3.27	7.66	3.34	7.47	3.41	7.29	3.48	7.10	3.55
0	-2		8.91	3.34	8.70	3.41	8.48	3.48	8.27	3.55	8.06	3.58
5	3		9.86	3.34	9.63	3.41	9.39	3.48	9.16	3.58	8.92	3.58
7	6		10.61	3.34	10.35	3.41	10.10	3.48	9.85	3.58	9.60	3.58
10	8		11.03	3.34	10.77	3.41	10.50	3.48	10.24	3.58	9.98	3.58
15	10		10.98	3.11	10.71	3.17	10.45	3.24	10.19	3.30	9.93	3.34
20	15		9.33	2.21	9.11	2.30	8.89	2.30	8.67	2.30	8.44	2.30

Indoor units: 7,000 Btu + 12,000 Btu + 14,000 Btu

			Indoor temperature									
°CDB			16		18		20		22		24	
Outdoor temperature	°CDB	°CWB	TC	IP	TC	IP	TC	IP	TC	IP	TC	IP
			kW	kW	kW	kW	kW	kW	kW	kW	kW	kW
-10	-11		7.25	3.17	7.07	3.24	6.90	3.31	6.73	3.37	6.56	3.44
-5	-7		8.00	3.27	7.81	3.34	7.62	3.41	7.43	3.48	7.24	3.55
0	-2		9.08	3.34	8.87	3.41	8.65	3.48	8.44	3.55	8.22	3.58
5	3		10.06	3.34	9.82	3.41	9.58	3.48	9.34	3.58	9.10	3.58
7	6		10.82	3.34	10.56	3.41	10.30	3.48	10.04	3.58	9.79	3.58
10	8		11.25	3.34	10.98	3.41	10.71	3.48	10.44	3.58	10.18	3.58
15	10		11.19	3.11	10.93	3.17	10.66	3.24	10.39	3.30	10.13	3.34
20	15		9.52	2.21	9.29	2.30	9.06	2.30	8.84	2.30	8.61	2.30



**Indoor units: 7,000 Btu + 12,000 Btu + 18,000 Btu**

		Indoor temperature										
°CDB		16		18		20		22		24		
Outdoor temperature	°CDB	°CWB	TC	IP	TC	IP	TC	IP	TC	IP	TC	IP
			kW	kW	kW	kW	kW	kW	kW	kW	kW	kW
	-10	-11	7.66	3.03	7.48	3.09	7.30	3.16	7.11	3.22	6.93	3.28
	-5	-7	8.62	3.16	8.41	3.23	8.21	3.30	8.00	3.36	7.80	3.43
	0	-2	9.94	3.33	9.70	3.40	9.46	3.47	9.23	3.54	8.99	3.58
	5	3	11.19	3.33	10.93	3.40	10.66	3.47	10.39	3.54	10.13	3.58
	7	6	11.97	3.33	11.69	3.40	11.40	3.47	11.12	3.54	10.83	3.58
	10	8	12.45	3.33	12.15	3.40	11.86	3.47	11.56	3.54	11.26	3.58
	15	10	12.39	3.10	12.09	3.16	11.80	3.23	11.50	3.29	11.21	3.34
	20	15	10.53	2.21	10.28	2.30	10.03	2.30	9.78	2.30	9.53	2.30

**Indoor units: 7,000 Btu + 12,000 Btu + 24,000 Btu**

		Indoor temperature										
°CDB		16		18		20		22		24		
Outdoor temperature	°CDB	°CWB	TC	IP	TC	IP	TC	IP	TC	IP	TC	IP
			kW	kW	kW	kW	kW	kW	kW	kW	kW	kW
	-10	-11	7.86	3.11	7.68	3.17	7.49	3.24	7.30	3.30	7.11	3.37
	-5	-7	8.85	3.25	8.63	3.31	8.42	3.38	8.21	3.45	8.00	3.52
	0	-2	10.20	3.42	9.95	3.49	9.71	3.56	9.47	3.58	9.23	3.58
	5	3	11.49	3.44	11.21	3.51	10.94	3.58	10.67	3.58	10.39	3.58
	7	6	12.29	3.44	11.99	3.51	11.70	3.58	11.41	3.58	11.12	3.58
	10	8	12.78	3.44	12.47	3.51	12.17	3.58	11.86	3.58	11.56	3.58
	15	10	12.71	3.18	12.41	3.24	12.11	3.31	11.81	3.34	11.50	3.34
	20	15	10.81	2.21	10.55	2.30	10.30	2.30	10.04	2.30	9.78	2.30

**Indoor units: 7,000 Btu + 14,000 Btu + 14,000 Btu**

		Indoor temperature										
°CDB		16		18		20		22		24		
Outdoor temperature	°CDB	°CWB	TC	IP	TC	IP	TC	IP	TC	IP	TC	IP
			kW	kW	kW	kW	kW	kW	kW	kW	kW	kW
	-10	-11	7.46	3.17	7.28	3.24	7.10	3.31	6.92	3.37	6.75	3.44
	-5	-7	8.24	3.27	8.04	3.34	7.84	3.41	7.65	3.48	7.45	3.55
	0	-2	9.35	3.34	9.13	3.41	8.90	3.48	8.68	3.55	8.46	3.58
	5	3	10.35	3.34	10.10	3.41	9.86	3.48	9.61	3.58	9.37	3.58
	7	6	11.13	3.34	10.87	3.41	10.60	3.48	10.34	3.58	10.07	3.58
	10	8	11.58	3.34	11.30	3.41	11.02	3.48	10.75	3.58	10.47	3.58
	15	10	11.52	3.11	11.25	3.17	10.97	3.24	10.70	3.30	10.42	3.34
	20	15	9.79	2.21	9.56	2.30	9.33	2.30	9.09	2.30	8.86	2.30

**Indoor units: 7,000 Btu + 14,000 Btu + 18,000 Btu**

		Indoor temperature										
°CDB		16		18		20		22		24		
Outdoor temperature	°CDB	°CWB	TC	IP	TC	IP	TC	IP	TC	IP	TC	IP
			kW	kW	kW	kW	kW	kW	kW	kW	kW	kW
	-10	-11	7.73	3.08	7.54	3.14	7.36	3.20	7.18	3.27	6.99	3.33
	-5	-7	8.69	3.21	8.49	3.28	8.28	3.34	8.07	3.41	7.87	3.48
	0	-2	10.02	3.38	9.78	3.45	9.55	3.52	9.31	3.58	9.07	3.58
	5	3	11.29	3.38	11.02	3.45	10.75	3.52	10.48	3.58	10.21	3.58
	7	6	12.08	3.38	11.79	3.45	11.50	3.52	11.21	3.58	10.93	3.58
	10	8	12.56	3.38	12.26	3.45	11.96	3.52	11.66	3.58	11.36	3.58
	15	10	12.50	3.14	12.20	3.21	11.90	3.27	11.60	3.34	11.31	3.34
	20	15	10.63	2.21	10.37	2.30	10.12	2.30	9.87	2.30	9.61	2.30

**Indoor units: 7,000 Btu + 14,000 Btu + 24,000 Btu**

		Indoor temperature										
°CDB		16		18		20		22		24		
Outdoor temperature	°CDB	°CWB	TC	IP	TC	IP	TC	IP	TC	IP	TC	IP
			kW	kW	kW	kW	kW	kW	kW	kW	kW	kW
	-10	-11	7.86	3.11	7.68	3.17	7.49	3.24	7.30	3.30	7.11	3.37
	-5	-7	8.85	3.25	8.63	3.31	8.42	3.38	8.21	3.45	8.00	3.52
	0	-2	10.20	3.42	9.95	3.49	9.71	3.56	9.47	3.58	9.23	3.58
	5	3	11.49	3.44	11.21	3.51	10.94	3.58	10.67	3.58	10.39	3.58
	7	6	12.29	3.44	11.99	3.51	11.70	3.58	11.41	3.58	11.12	3.58
	10	8	12.78	3.44	12.47	3.51	12.17	3.58	11.86	3.58	11.56	3.58
	15	10	12.71	3.18	12.41	3.24	12.11	3.31	11.81	3.34	11.50	3.34
	20	15	10.81	2.21	10.55	2.30	10.30	2.30	10.04	2.30	9.78	2.30

Indoor units: 7,000 Btu + 18,000 Btu + 18,000 Btu

			Indoor temperature									
°CDB			16		18		20		22		24	
Outdoor temperature	°CDB	°CWB	TC	IP	TC	IP	TC	IP	TC	IP	TC	IP
			kW	kW	kW	kW	kW	kW	kW	kW	kW	kW
-10	-11		8.06	3.08	7.87	3.14	7.68	3.20	7.49	3.27	7.30	3.33
-5	-7		9.07	3.21	8.86	3.28	8.64	3.34	8.42	3.41	8.21	3.48
0	-2		10.46	3.38	10.21	3.45	9.96	3.52	9.71	3.58	9.46	3.58
5	3		11.78	3.38	11.50	3.45	11.22	3.52	10.94	3.58	10.66	3.58
7	6		12.60	3.38	12.30	3.45	12.00	3.52	11.70	3.58	11.40	3.58
10	8		13.10	3.38	12.79	3.45	12.48	3.52	12.17	3.58	11.86	3.58
15	10		13.04	3.14	12.73	3.21	12.42	3.27	12.11	3.34	11.80	3.34
20	15		11.09	2.21	10.82	2.30	10.56	2.30	10.30	2.30	10.03	2.30

Indoor units: 7,000 Btu + 18,000 Btu + 24,000 Btu

			Indoor temperature									
°CDB			16		18		20		22		24	
Outdoor temperature	°CDB	°CWB	TC	IP	TC	IP	TC	IP	TC	IP	TC	IP
			kW	kW	kW	kW	kW	kW	kW	kW	kW	kW
-10	-11		8.06	3.08	7.87	3.14	7.68	3.20	7.49	3.27	7.30	3.33
-5	-7		9.07	3.21	8.86	3.28	8.64	3.34	8.42	3.41	8.21	3.48
0	-2		10.46	3.38	10.21	3.45	9.96	3.52	9.71	3.58	9.46	3.58
5	3		11.78	3.38	11.50	3.45	11.22	3.52	10.94	3.58	10.66	3.58
7	6		12.60	3.38	12.30	3.45	12.00	3.52	11.70	3.58	11.40	3.58
10	8		13.10	3.38	12.79	3.45	12.48	3.52	12.17	3.58	11.86	3.58
15	10		13.04	3.14	12.73	3.21	12.42	3.27	12.11	3.34	11.80	3.34
20	15		11.09	2.21	10.82	2.30	10.56	2.30	10.30	2.30	10.03	2.30

Indoor units: 9,000 Btu + 9,000 Btu + 9,000 Btu

			Indoor temperature									
°CDB			16		18		20		22		24	
Outdoor temperature	°CDB	°CWB	TC	IP	TC	IP	TC	IP	TC	IP	TC	IP
			kW	kW	kW	kW	kW	kW	kW	kW	kW	kW
-10	-11		7.14	3.23	6.97	3.30	6.80	3.37	6.63	3.44	6.46	3.50
-5	-7		7.88	3.34	7.69	3.41	7.50	3.47	7.31	3.54	7.13	3.58
0	-2		8.82	3.27	8.61	3.34	8.40	3.40	8.19	3.47	7.98	3.54
5	3		9.77	3.37	9.53	3.44	9.30	3.51	9.07	3.58	8.84	3.58
7	6		10.50	3.37	10.25	3.44	10.00	3.51	9.75	3.58	9.50	3.58
10	8		10.92	3.37	10.66	3.44	10.40	3.51	10.14	3.58	9.88	3.58
15	10		10.92	3.13	10.66	3.20	10.40	3.26	10.14	3.33	9.88	3.34
20	15		9.45	2.21	9.23	2.30	9.00	2.30	8.78	2.30	8.55	2.30

Indoor units: 9,000 Btu + 9,000 Btu + 12,000 Btu

			Indoor temperature									
°CDB			16		18		20		22		24	
Outdoor temperature	°CDB	°CWB	TC	IP	TC	IP	TC	IP	TC	IP	TC	IP
			kW	kW	kW	kW	kW	kW	kW	kW	kW	kW
-10	-11		7.21	3.21	7.04	3.27	6.87	3.34	6.70	3.41	6.52	3.47
-5	-7		7.95	3.31	7.76	3.38	7.58	3.45	7.39	3.51	7.20	3.58
0	-2		8.91	3.24	8.70	3.31	8.48	3.38	8.27	3.44	8.06	3.51
5	3		9.86	3.34	9.63	3.41	9.39	3.48	9.16	3.58	8.92	3.58
7	6		10.61	3.34	10.35	3.41	10.10	3.48	9.85	3.58	9.60	3.58
10	8		11.03	3.34	10.77	3.41	10.50	3.48	10.24	3.58	9.98	3.58
15	10		11.03	3.11	10.77	3.17	10.50	3.24	10.24	3.30	9.98	3.34
20	15		9.54	2.21	9.32	2.30	9.09	2.30	8.86	2.30	8.64	2.30

Indoor units: 9,000 Btu + 9,000 Btu + 14,000 Btu

			Indoor temperature									
°CDB			16		18		20		22		24	
Outdoor temperature	°CDB	°CWB	TC	IP	TC	IP	TC	IP	TC	IP	TC	IP
			kW	kW	kW	kW	kW	kW	kW	kW	kW	kW
-10	-11		7.25	3.17	7.07	3.24	6.90	3.31	6.73	3.37	6.56	3.44
-5	-7		8.00	3.27	7.81	3.34	7.62	3.41	7.43	3.48	7.24	3.55
0	-2		9.08	3.34	8.87	3.41	8.65	3.48	8.44	3.55	8.22	3.58
5	3		10.06	3.34	9.82	3.41	9.58	3.48	9.34	3.58	9.10	3.58
7	6		10.82	3.34	10.56	3.41	10.30	3.48	10.04	3.58	9.79	3.58
10	8		11.25	3.34	10.98	3.41	10.71	3.48	10.44	3.58	10.18	3.58
15	10		11.19	3.11	10.93	3.17	10.66	3.24	10.39	3.30	10.13	3.34
20	15		9.52	2.21	9.29	2.30	9.06	2.30	8.84	2.30	8.61	2.30

Indoor units: 9,000 Btu + 9,000 Btu + 18,000 Btu

		Indoor temperature										
°CDB		16		18		20		22		24		
Outdoor temperature	°CDB	°CWB	TC	IP	TC	IP	TC	IP	TC	IP	TC	IP
			kW	kW	kW	kW	kW	kW	kW	kW	kW	kW
	-10	-11	8.02	3.17	7.83	3.24	7.64	3.31	7.45	3.37	7.26	3.44
	-5	-7	8.86	3.27	8.65	3.34	8.44	3.41	8.23	3.48	8.01	3.55
	0	-2	10.05	3.34	9.82	3.41	9.58	3.48	9.34	3.55	9.10	3.58
	5	3	11.13	3.34	10.87	3.41	10.60	3.48	10.34	3.58	10.07	3.58
	7	6	11.97	3.34	11.69	3.41	11.40	3.48	11.12	3.58	10.83	3.58
	10	8	12.45	3.34	12.15	3.41	11.86	3.48	11.56	3.58	11.26	3.58
	15	10	12.39	3.11	12.09	3.17	11.80	3.24	11.50	3.30	11.21	3.34
	20	15	10.53	2.21	10.28	2.30	10.03	2.30	9.78	2.30	9.53	2.30

Indoor units: 9,000 Btu + 9,000 Btu + 24,000 Btu

		Indoor temperature										
°CDB		16		18		20		22		24		
Outdoor temperature	°CDB	°CWB	TC	IP	TC	IP	TC	IP	TC	IP	TC	IP
			kW	kW	kW	kW	kW	kW	kW	kW	kW	kW
	-10	-11	7.86	3.12	7.68	3.18	7.49	3.25	7.30	3.31	7.11	3.38
	-5	-7	8.85	3.26	8.63	3.32	8.42	3.39	8.21	3.46	8.00	3.53
	0	-2	10.20	3.43	9.95	3.50	9.71	3.57	9.47	3.58	9.23	3.58
	5	3	11.49	3.44	11.21	3.51	10.94	3.58	10.67	3.58	10.39	3.58
	7	6	12.29	3.44	11.99	3.51	11.70	3.58	11.41	3.58	11.12	3.58
	10	8	12.78	3.44	12.47	3.51	12.17	3.58	11.86	3.58	11.56	3.58
	15	10	12.71	3.19	12.41	3.25	12.11	3.32	11.81	3.34	11.50	3.34
	20	15	10.81	2.21	10.55	2.30	10.30	2.30	10.04	2.30	9.78	2.30

Indoor units: 9,000 Btu + 12,000 Btu + 12,000 Btu

		Indoor temperature										
°CDB		16		18		20		22		24		
Outdoor temperature	°CDB	°CWB	TC	IP	TC	IP	TC	IP	TC	IP	TC	IP
			kW	kW	kW	kW	kW	kW	kW	kW	kW	kW
	-10	-11	7.25	3.21	7.07	3.28	6.90	3.34	6.73	3.41	6.56	3.48
	-5	-7	8.00	3.31	7.81	3.38	7.62	3.45	7.43	3.52	7.24	3.58
	0	-2	9.08	3.38	8.87	3.45	8.65	3.52	8.44	3.58	8.22	3.58
	5	3	10.06	3.38	9.82	3.45	9.58	3.52	9.34	3.58	9.10	3.58
	7	6	10.82	3.38	10.56	3.45	10.30	3.52	10.04	3.58	9.79	3.58
	10	8	11.25	3.38	10.98	3.45	10.71	3.52	10.44	3.58	10.18	3.58
	15	10	11.19	3.14	10.93	3.21	10.66	3.27	10.39	3.34	10.13	3.34
	20	15	9.52	2.21	9.29	2.30	9.06	2.30	8.84	2.30	8.61	2.30

Indoor units: 9,000 Btu + 12,000 Btu + 14,000 Btu

		Indoor temperature										
°CDB		16		18		20		22		24		
Outdoor temperature	°CDB	°CWB	TC	IP	TC	IP	TC	IP	TC	IP	TC	IP
			kW	kW	kW	kW	kW	kW	kW	kW	kW	kW
	-10	-11	7.39	3.21	7.21	3.28	7.04	3.34	6.86	3.41	6.68	3.48
	-5	-7	8.16	3.31	7.96	3.38	7.77	3.45	7.58	3.52	7.38	3.58
	0	-2	9.26	3.38	9.04	3.45	8.82	3.52	8.60	3.58	8.38	3.58
	5	3	10.25	3.38	10.01	3.45	9.77	3.52	9.52	3.58	9.28	3.58
	7	6	11.03	3.38	10.76	3.45	10.50	3.52	10.24	3.58	9.98	3.58
	10	8	11.47	3.38	11.19	3.45	10.92	3.52	10.65	3.58	10.37	3.58
	15	10	11.41	3.14	11.14	3.21	10.87	3.27	10.60	3.34	10.32	3.34
	20	15	9.70	2.21	9.47	2.30	9.24	2.30	9.01	2.30	8.78	2.30

Indoor units: 9,000 Btu + 12,000 Btu + 18,000 Btu

		Indoor temperature										
°CDB		16		18		20		22		24		
Outdoor temperature	°CDB	°CWB	TC	IP	TC	IP	TC	IP	TC	IP	TC	IP
			kW	kW	kW	kW	kW	kW	kW	kW	kW	kW
	-10	-11	7.66	3.03	7.48	3.09	7.30	3.16	7.11	3.22	6.93	3.28
	-5	-7	8.62	3.16	8.41	3.23	8.21	3.30	8.00	3.36	7.80	3.43
	0	-2	9.94	3.33	9.70	3.40	9.46	3.47	9.23	3.54	8.99	3.58
	5	3	11.19	3.33	10.93	3.40	10.66	3.47	10.39	3.54	10.13	3.58
	7	6	11.97	3.33	11.69	3.40	11.40	3.47	11.12	3.54	10.83	3.58
	10	8	12.45	3.33	12.15	3.40	11.86	3.47	11.56	3.54	11.26	3.58
	15	10	12.39	3.10	12.09	3.16	11.80	3.23	11.50	3.29	11.21	3.34
	20	15	10.53	2.21	10.28	2.30	10.03	2.30	9.78	2.30	9.53	2.30

Indoor units: 9,000 Btu + 12,000 Btu + 24,000 Btu

			Indoor temperature									
°CDB			16		18		20		22		24	
Outdoor temperature	°CDB	°CWB	TC	IP	TC	IP	TC	IP	TC	IP	TC	IP
			kW	kW	kW	kW	kW	kW	kW	kW	kW	kW
-10	-11		7.93	3.10	7.74	3.17	7.55	3.23	7.36	3.30	7.17	3.36
-5	-7		8.92	3.24	8.71	3.31	8.50	3.37	8.28	3.44	8.07	3.51
0	-2		10.28	3.41	10.04	3.48	9.79	3.55	9.55	3.58	9.30	3.58
5	3		11.58	3.44	11.31	3.51	11.03	3.58	10.76	3.58	10.48	3.58
7	6		12.39	3.44	12.10	3.51	11.80	3.58	11.51	3.58	11.21	3.58
10	8		12.89	3.44	12.58	3.51	12.27	3.58	11.97	3.58	11.66	3.58
15	10		12.82	3.17	12.52	3.24	12.21	3.30	11.91	3.34	11.60	3.34
20	15		10.90	2.21	10.64	2.30	10.38	2.30	10.12	2.30	9.86	2.30

Indoor units: 9,000 Btu + 14,000 Btu + 14,000 Btu

			Indoor temperature									
°CDB			16		18		20		22		24	
Outdoor temperature	°CDB	°CWB	TC	IP	TC	IP	TC	IP	TC	IP	TC	IP
			kW	kW	kW	kW	kW	kW	kW	kW	kW	kW
-10	-11		7.19	3.02	7.02	3.09	6.85	3.15	6.68	3.21	6.51	3.27
-5	-7		8.09	3.16	7.90	3.22	7.70	3.29	7.51	3.35	7.32	3.42
0	-2		9.33	3.32	9.10	3.39	8.88	3.46	8.66	3.53	8.44	3.58
5	3		10.50	3.32	10.25	3.39	10.00	3.46	9.75	3.53	9.50	3.58
7	6		11.24	3.32	10.97	3.39	10.70	3.46	10.43	3.53	10.17	3.58
10	8		11.68	3.32	11.41	3.39	11.13	3.46	10.85	3.53	10.57	3.58
15	10		11.63	3.09	11.35	3.15	11.07	3.22	10.80	3.28	10.52	3.34
20	15		9.89	2.21	9.65	2.30	9.42	2.30	9.18	2.30	8.95	2.30

Indoor units: 9,000 Btu + 14,000 Btu + 18,000 Btu

			Indoor temperature									
°CDB			16		18		20		22		24	
Outdoor temperature	°CDB	°CWB	TC	IP	TC	IP	TC	IP	TC	IP	TC	IP
			kW	kW	kW	kW	kW	kW	kW	kW	kW	kW
-10	-11		7.80	3.07	7.61	3.13	7.42	3.19	7.24	3.26	7.05	3.32
-5	-7		8.77	3.20	8.56	3.27	8.35	3.33	8.14	3.40	7.93	3.47
0	-2		10.11	3.37	9.87	3.44	9.63	3.51	9.39	3.58	9.15	3.58
5	3		11.39	3.37	11.12	3.44	10.85	3.51	10.57	3.58	10.30	3.58
7	6		12.18	3.37	11.89	3.44	11.60	3.51	11.31	3.58	11.02	3.58
10	8		12.67	3.37	12.37	3.44	12.06	3.51	11.76	3.58	11.46	3.58
15	10		12.61	3.13	12.31	3.20	12.01	3.26	11.71	3.33	11.41	3.34
20	15		10.72	2.21	10.46	2.30	10.21	2.30	9.95	2.30	9.70	2.30

Indoor units: 9,000 Btu + 14,000 Btu + 24,000 Btu

			Indoor temperature									
°CDB			16		18		20		22		24	
Outdoor temperature	°CDB	°CWB	TC	IP	TC	IP	TC	IP	TC	IP	TC	IP
			kW	kW	kW	kW	kW	kW	kW	kW	kW	kW
-10	-11		8.00	3.12	7.81	3.18	7.62	3.25	7.43	3.31	7.24	3.38
-5	-7		9.00	3.26	8.78	3.32	8.57	3.39	8.35	3.46	8.14	3.53
0	-2		10.37	3.43	10.12	3.50	9.88	3.57	9.63	3.58	9.38	3.58
5	3		11.68	3.44	11.40	3.51	11.13	3.58	10.85	3.58	10.57	3.58
7	6		12.50	3.44	12.20	3.51	11.90	3.58	11.60	3.58	11.31	3.58
10	8		12.99	3.44	12.69	3.51	12.38	3.58	12.07	3.58	11.76	3.58
15	10		12.93	3.19	12.62	3.25	12.32	3.32	12.01	3.34	11.70	3.34
20	15		11.00	2.21	10.73	2.30	10.47	2.30	10.21	2.30	9.95	2.30

Indoor units: 9,000 Btu + 18,000 Btu + 18,000 Btu

			Indoor temperature									
°CDB			16		18		20		22		24	
Outdoor temperature	°CDB	°CWB	TC	IP	TC	IP	TC	IP	TC	IP	TC	IP
			kW	kW	kW	kW	kW	kW	kW	kW	kW	kW
-10	-11		8.06	3.08	7.87	3.14	7.68	3.20	7.49	3.27	7.30	3.33
-5	-7		9.07	3.21	8.86	3.28	8.64	3.34	8.42	3.41	8.21	3.48
0	-2		10.46	3.38	10.21	3.45	9.96	3.52	9.71	3.58	9.46	3.58
5	3		11.78	3.38	11.50	3.45	11.22	3.52	10.94	3.58	10.66	3.58
7	6		12.60	3.38	12.30	3.45	12.00	3.52	11.70	3.58	11.40	3.58
10	8		13.10	3.38	12.79	3.45	12.48	3.52	12.17	3.58	11.86	3.58
15	10		13.04	3.14	12.73	3.21	12.42	3.27	12.11	3.34	11.80	3.34
20	15		11.09	2.21	10.82	2.30	10.56	2.30	10.30	2.30	10.03	2.30

Indoor units: 12,000 Btu + 12,000 Btu + 12,000 Btu

		Indoor temperature										
°CDB		16		18		20		22		24		
Outdoor temperature	°CDB	°CWB	TC	IP	TC	IP	TC	IP	TC	IP	TC	IP
			kW	kW	kW	kW	kW	kW	kW	kW	kW	kW
-10	-11		7.25	3.18	7.07	3.25	6.90	3.32	6.73	3.38	6.56	3.45
-5	-7		8.00	3.28	7.81	3.35	7.62	3.42	7.43	3.49	7.24	3.56
0	-2		9.08	3.35	8.87	3.42	8.65	3.49	8.44	3.56	8.22	3.58
5	3		10.06	3.35	9.82	3.42	9.58	3.49	9.34	3.58	9.10	3.58
7	6		10.82	3.35	10.56	3.42	10.30	3.49	10.04	3.58	9.79	3.58
10	8		11.25	3.35	10.98	3.42	10.71	3.49	10.44	3.58	10.18	3.58
15	10		11.19	3.12	10.93	3.18	10.66	3.25	10.39	3.31	10.13	3.34
20	15		9.52	2.21	9.29	2.30	9.06	2.30	8.84	2.30	8.61	2.30

Indoor units: 12,000 Btu + 12,000 Btu + 14,000 Btu

		Indoor temperature										
°CDB		16		18		20		22		24		
Outdoor temperature	°CDB	°CWB	TC	IP	TC	IP	TC	IP	TC	IP	TC	IP
			kW	kW	kW	kW	kW	kW	kW	kW	kW	kW
-10	-11		7.12	3.05	6.95	3.11	6.78	3.18	6.61	3.24	6.44	3.30
-5	-7		8.01	3.18	7.82	3.25	7.63	3.32	7.44	3.38	7.25	3.45
0	-2		9.24	3.35	9.02	3.42	8.80	3.49	8.58	3.56	8.36	3.58
5	3		10.41	3.35	10.16	3.42	9.91	3.49	9.66	3.58	9.42	3.58
7	6		11.13	3.35	10.87	3.42	10.60	3.49	10.34	3.58	10.07	3.58
10	8		11.58	3.35	11.30	3.42	11.02	3.49	10.75	3.58	10.47	3.58
15	10		11.52	3.12	11.25	3.18	10.97	3.25	10.70	3.31	10.42	3.34
20	15		9.79	2.21	9.56	2.30	9.33	2.30	9.09	2.30	8.86	2.30

Indoor units: 12,000 Btu + 12,000 Btu + 18,000 Btu

		Indoor temperature										
°CDB		16		18		20		22		24		
Outdoor temperature	°CDB	°CWB	TC	IP	TC	IP	TC	IP	TC	IP	TC	IP
			kW	kW	kW	kW	kW	kW	kW	kW	kW	kW
-10	-11		7.80	3.08	7.61	3.14	7.42	3.20	7.24	3.27	7.05	3.33
-5	-7		8.77	3.21	8.56	3.28	8.35	3.34	8.14	3.41	7.93	3.48
0	-2		10.11	3.38	9.87	3.45	9.63	3.52	9.39	3.58	9.15	3.58
5	3		11.39	3.38	11.12	3.45	10.85	3.52	10.57	3.58	10.30	3.58
7	6		12.18	3.38	11.89	3.45	11.60	3.52	11.31	3.58	11.02	3.58
10	8		12.67	3.38	12.37	3.45	12.06	3.52	11.76	3.58	11.46	3.58
15	10		12.61	3.14	12.31	3.21	12.01	3.27	11.71	3.34	11.41	3.34
20	15		10.72	2.21	10.46	2.30	10.21	2.30	9.95	2.30	9.70	2.30

Indoor units: 12,000 Btu + 12,000 Btu + 24,000 Btu

		Indoor temperature										
°CDB		16		18		20		22		24		
Outdoor temperature	°CDB	°CWB	TC	IP	TC	IP	TC	IP	TC	IP	TC	IP
			kW	kW	kW	kW	kW	kW	kW	kW	kW	kW
-10	-11		7.93	3.09	7.74	3.16	7.55	3.22	7.36	3.29	7.17	3.35
-5	-7		8.92	3.23	8.71	3.30	8.50	3.36	8.28	3.43	8.07	3.50
0	-2		10.28	3.40	10.04	3.47	9.79	3.54	9.55	3.58	9.30	3.58
5	3		11.58	3.40	11.31	3.47	11.03	3.54	10.76	3.58	10.48	3.58
7	6		12.39	3.40	12.10	3.47	11.80	3.54	11.51	3.58	11.21	3.58
10	8		12.89	3.40	12.58	3.47	12.27	3.54	11.97	3.58	11.66	3.58
15	10		12.82	3.16	12.52	3.23	12.21	3.29	11.91	3.34	11.60	3.34
20	15		10.90	2.21	10.64	2.30	10.38	2.30	10.12	2.30	9.86	2.30

Indoor units: 12,000 Btu + 14,000 Btu + 14,000 Btu

		Indoor temperature										
°CDB		16		18		20		22		24		
Outdoor temperature	°CDB	°CWB	TC	IP	TC	IP	TC	IP	TC	IP	TC	IP
			kW	kW	kW	kW	kW	kW	kW	kW	kW	kW
-10	-11		7.26	3.06	7.08	3.12	6.91	3.19	6.74	3.25	6.57	3.31
-5	-7		8.16	3.19	7.97	3.26	7.78	3.33	7.58	3.39	7.39	3.46
0	-2		9.41	3.36	9.19	3.43	8.96	3.50	8.74	3.57	8.52	3.58
5	3		10.60	3.36	10.35	3.43	10.10	3.50	9.85	3.58	9.59	3.58
7	6		11.34	3.36	11.07	3.43	10.80	3.50	10.53	3.58	10.26	3.58
10	8		11.79	3.36	11.51	3.43	11.23	3.50	10.95	3.58	10.67	3.58
15	10		11.74	3.12	11.46	3.19	11.18	3.26	10.90	3.32	10.62	3.34
20	15		9.98	2.21	9.74	2.30	9.50	2.30	9.27	2.30	9.03	2.30

**□ Indoor units: 12,000 Btu + 14,000 Btu + 18,000 Btu**

			Indoor temperature									
°CDB			16		18		20		22		24	
Outdoor temperature	°CDB	°CWB	TC	IP	TC	IP	TC	IP	TC	IP	TC	IP
			kW	kW	kW	kW	kW	kW	kW	kW	kW	kW
	-10	-11	7.80	3.05	7.61	3.11	7.42	3.18	7.24	3.24	7.05	3.30
	-5	-7	8.77	3.18	8.56	3.25	8.35	3.32	8.14	3.38	7.93	3.45
	0	-2	10.11	3.35	9.87	3.42	9.63	3.49	9.39	3.56	9.15	3.58
	5	3	11.39	3.35	11.12	3.42	10.85	3.49	10.57	3.58	10.30	3.58
	7	6	12.18	3.35	11.89	3.42	11.60	3.49	11.31	3.58	11.02	3.58
	10	8	12.67	3.35	12.37	3.42	12.06	3.49	11.76	3.58	11.46	3.58
	15	10	12.61	3.12	12.31	3.18	12.01	3.25	11.71	3.31	11.41	3.34
	20	15	10.72	2.21	10.46	2.30	10.21	2.30	9.95	2.30	9.70	2.30

**□ Indoor units: 12,000 Btu + 18,000 Btu + 18,000 Btu**

			Indoor temperature									
°CDB			16		18		20		22		24	
Outdoor temperature	°CDB	°CWB	TC	IP	TC	IP	TC	IP	TC	IP	TC	IP
			kW	kW	kW	kW	kW	kW	kW	kW	kW	kW
	-10	-11	8.06	3.08	7.87	3.14	7.68	3.20	7.49	3.27	7.30	3.33
	-5	-7	9.07	3.21	8.86	3.28	8.64	3.34	8.42	3.41	8.21	3.48
	0	-2	10.46	3.38	10.21	3.45	9.96	3.52	9.71	3.58	9.46	3.58
	5	3	11.78	3.38	11.50	3.45	11.22	3.52	10.94	3.58	10.66	3.58
	7	6	12.60	3.38	12.30	3.45	12.00	3.52	11.70	3.58	11.40	3.58
	10	8	13.10	3.38	12.79	3.45	12.48	3.52	12.17	3.58	11.86	3.58
	15	10	13.04	3.14	12.73	3.21	12.42	3.27	12.11	3.34	11.80	3.34
	20	15	11.09	2.21	10.82	2.30	10.56	2.30	10.30	2.30	10.03	2.30

**□ Indoor units: 7,000 Btu + 7,000 Btu + 7,000 Btu + 7,000 Btu**

			Indoor temperature									
°CDB			16		18		20		22		24	
Outdoor temperature	°CDB	°CWB	TC	IP	TC	IP	TC	IP	TC	IP	TC	IP
			kW	kW	kW	kW	kW	kW	kW	kW	kW	kW
	-10	-11	7.71	3.20	7.53	3.26	7.34	3.33	7.16	3.40	6.98	3.46
	-5	-7	8.51	3.30	8.30	3.37	8.10	3.44	7.90	3.50	7.70	3.57
	0	-2	9.53	3.23	9.30	3.30	9.07	3.37	8.85	3.43	8.62	3.50
	5	3	10.55	3.33	10.30	3.40	10.04	3.47	9.79	3.54	9.54	3.58
	7	6	11.34	3.33	11.07	3.40	10.80	3.47	10.53	3.54	10.26	3.58
	10	8	11.79	3.33	11.51	3.40	11.23	3.47	10.95	3.54	10.67	3.58
	15	10	11.79	3.10	11.51	3.16	11.23	3.23	10.95	3.29	10.67	3.34
	20	15	10.21	2.21	9.96	2.30	9.72	2.30	9.48	2.30	9.23	2.30

**□ Indoor units: 7,000 Btu + 7,000 Btu + 7,000 Btu + 9,000 Btu**

			Indoor temperature									
°CDB			16		18		20		22		24	
Outdoor temperature	°CDB	°CWB	TC	IP	TC	IP	TC	IP	TC	IP	TC	IP
			kW	kW	kW	kW	kW	kW	kW	kW	kW	kW
	-10	-11	7.78	3.23	7.60	3.30	7.41	3.37	7.23	3.44	7.04	3.50
	-5	-7	8.58	3.34	8.38	3.41	8.18	3.47	7.97	3.54	7.77	3.58
	0	-2	9.61	3.27	9.38	3.34	9.16	3.40	8.93	3.47	8.70	3.54
	5	3	10.64	3.37	10.39	3.44	10.14	3.51	9.88	3.58	9.63	3.58
	7	6	11.45	3.37	11.17	3.44	10.90	3.51	10.63	3.58	10.36	3.58
	10	8	11.90	3.37	11.62	3.44	11.34	3.51	11.05	3.58	10.77	3.58
	15	10	11.90	3.13	11.62	3.20	11.34	3.26	11.05	3.33	10.77	3.34
	20	15	10.30	2.21	10.06	2.30	9.81	2.30	9.56	2.30	9.32	2.30

**□ Indoor units: 7,000 Btu + 7,000 Btu + 7,000 Btu + 12,000 Btu**

			Indoor temperature									
°CDB			16		18		20		22		24	
Outdoor temperature	°CDB	°CWB	TC	IP	TC	IP	TC	IP	TC	IP	TC	IP
			kW	kW	kW	kW	kW	kW	kW	kW	kW	kW
	-10	-11	7.81	3.24	7.62	3.31	7.44	3.37	7.25	3.44	7.07	3.51
	-5	-7	8.62	3.34	8.42	3.41	8.21	3.48	8.01	3.55	7.80	3.58
	0	-2	9.79	3.41	9.56	3.48	9.32	3.55	9.09	3.58	8.86	3.58
	5	3	10.84	3.44	10.58	3.51	10.32	3.58	10.06	3.58	9.81	3.58
	7	6	11.66	3.44	11.38	3.51	11.10	3.58	10.82	3.58	10.55	3.58
	10	8	12.12	3.44	11.83	3.51	11.54	3.58	11.26	3.58	10.97	3.58
	15	10	12.06	3.17	11.78	3.24	11.49	3.30	11.20	3.34	10.91	3.34
	20	15	10.26	2.21	10.01	2.30	9.77	2.30	9.52	2.30	9.28	2.30

**□ Indoor units: 7,000 Btu + 7,000 Btu + 7,000 Btu + 14,000 Btu**

		Indoor temperature										
°CDB		16		18		20		22		24		
Outdoor temperature	°CDB	°CWB	TC	IP	TC	IP	TC	IP	TC	IP	TC	IP
			kW	kW	kW	kW	kW	kW	kW	kW	kW	kW
	-10	-11	7.95	3.25	7.76	3.31	7.57	3.38	7.38	3.45	7.19	3.52
-5	-7	8.78	3.35	8.57	3.42	8.36	3.49	8.15	3.56	7.94	3.58	
0	-2	9.97	3.42	9.73	3.49	9.49	3.56	9.25	3.58	9.02	3.58	
5	3	11.03	3.44	10.77	3.51	10.51	3.58	10.25	3.58	9.98	3.58	
7	6	11.87	3.44	11.58	3.51	11.30	3.58	11.02	3.58	10.74	3.58	
10	8	12.34	3.44	12.05	3.51	11.75	3.58	11.46	3.58	11.16	3.58	
15	10	12.28	3.18	11.99	3.24	11.70	3.31	11.40	3.34	11.11	3.34	
20	15	10.44	2.21	10.19	2.30	9.94	2.30	9.70	2.30	9.45	2.30	

**□ Indoor units: 7,000 Btu + 7,000 Btu + 7,000 Btu + 18,000 Btu**

		Indoor temperature										
°CDB		16		18		20		22		24		
Outdoor temperature	°CDB	°CWB	TC	IP	TC	IP	TC	IP	TC	IP	TC	IP
			kW	kW	kW	kW	kW	kW	kW	kW	kW	kW
	-10	-11	8.06	3.11	7.87	3.17	7.68	3.24	7.49	3.30	7.30	3.37
-5	-7	9.07	3.25	8.86	3.31	8.64	3.38	8.42	3.45	8.21	3.52	
0	-2	10.46	3.42	10.21	3.49	9.96	3.56	9.71	3.58	9.46	3.58	
5	3	11.78	3.44	11.50	3.51	11.22	3.58	10.94	3.58	10.66	3.58	
7	6	12.60	3.44	12.30	3.51	12.00	3.58	11.70	3.58	11.40	3.58	
10	8	13.10	3.44	12.79	3.51	12.48	3.58	12.17	3.58	11.86	3.58	
15	10	13.04	3.18	12.73	3.24	12.42	3.31	12.11	3.34	11.80	3.34	
20	15	11.09	2.21	10.82	2.30	10.56	2.30	10.30	2.30	10.03	2.30	

**□ Indoor units: 7,000 Btu + 7,000 Btu + 9,000 Btu + 9,000 Btu**

		Indoor temperature										
°CDB		16		18		20		22		24		
Outdoor temperature	°CDB	°CWB	TC	IP	TC	IP	TC	IP	TC	IP	TC	IP
			kW	kW	kW	kW	kW	kW	kW	kW	kW	kW
	-10	-11	7.67	3.14	7.49	3.20	7.30	3.27	7.12	3.33	6.94	3.40
-5	-7	8.47	3.24	8.27	3.30	8.07	3.37	7.86	3.44	7.66	3.51	
0	-2	9.61	3.30	9.38	3.37	9.16	3.44	8.93	3.51	8.70	3.58	
5	3	10.64	3.30	10.39	3.37	10.14	3.44	9.88	3.51	9.63	3.58	
7	6	11.45	3.30	11.17	3.37	10.90	3.44	10.63	3.51	10.36	3.58	
10	8	11.90	3.30	11.62	3.37	11.34	3.44	11.05	3.51	10.77	3.58	
15	10	11.85	3.07	11.56	3.14	11.28	3.20	11.00	3.26	10.72	3.33	
20	15	10.07	2.21	9.83	2.30	9.59	2.30	9.35	2.30	9.11	2.30	

**□ Indoor units: 7,000 Btu + 7,000 Btu + 9,000 Btu + 12,000 Btu**

		Indoor temperature										
°CDB		16		18		20		22		24		
Outdoor temperature	°CDB	°CWB	TC	IP	TC	IP	TC	IP	TC	IP	TC	IP
			kW	kW	kW	kW	kW	kW	kW	kW	kW	kW
	-10	-11	7.81	3.23	7.62	3.30	7.44	3.36	7.25	3.43	7.07	3.50
-5	-7	8.62	3.33	8.42	3.40	8.21	3.47	8.01	3.54	7.80	3.58	
0	-2	9.79	3.40	9.56	3.47	9.32	3.54	9.09	3.58	8.86	3.58	
5	3	10.84	3.40	10.58	3.47	10.32	3.54	10.06	3.58	9.81	3.58	
7	6	11.66	3.40	11.38	3.47	11.10	3.54	10.82	3.58	10.55	3.58	
10	8	12.12	3.40	11.83	3.47	11.54	3.54	11.26	3.58	10.97	3.58	
15	10	12.06	3.16	11.78	3.23	11.49	3.29	11.20	3.34	10.91	3.34	
20	15	10.26	2.21	10.01	2.30	9.77	2.30	9.52	2.30	9.28	2.30	

**□ Indoor units: 7,000 Btu + 7,000 Btu + 9,000 Btu + 14,000 Btu**

		Indoor temperature										
°CDB		16		18		20		22		24		
Outdoor temperature	°CDB	°CWB	TC	IP	TC	IP	TC	IP	TC	IP	TC	IP
			kW	kW	kW	kW	kW	kW	kW	kW	kW	kW
	-10	-11	7.66	3.09	7.48	3.16	7.30	3.22	7.11	3.29	6.93	3.35
-5	-7	8.62	3.23	8.41	3.30	8.21	3.36	8.00	3.43	7.80	3.50	
0	-2	9.94	3.40	9.70	3.47	9.46	3.54	9.23	3.58	8.99	3.58	
5	3	11.19	3.40	10.93	3.47	10.66	3.54	10.39	3.58	10.13	3.58	
7	6	11.97	3.40	11.69	3.47	11.40	3.54	11.12	3.58	10.83	3.58	
10	8	12.45	3.40	12.15	3.47	11.86	3.54	11.56	3.58	11.26	3.58	
15	10	12.39	3.16	12.09	3.23	11.80	3.29	11.50	3.34	11.21	3.34	
20	15	10.53	2.21	10.28	2.30	10.03	2.30	9.78	2.30	9.53	2.30	

**□ Indoor units: 7,000 Btu + 7,000 Btu + 9,000 Btu + 18,000 Btu**

			Indoor temperature									
°CDB			16		18		20		22		24	
Outdoor temperature	°CDB	°CWB	TC	IP	TC	IP	TC	IP	TC	IP	TC	IP
			kW	kW	kW	kW	kW	kW	kW	kW	kW	kW
-10	-11		8.06	3.10	7.87	3.17	7.68	3.23	7.49	3.30	7.30	3.36
-5	-7		9.07	3.24	8.86	3.31	8.64	3.37	8.42	3.44	8.21	3.51
0	-2		10.46	3.41	10.21	3.48	9.96	3.55	9.71	3.58	9.46	3.58
5	3		11.78	3.44	11.50	3.51	11.22	3.58	10.94	3.58	10.66	3.58
7	6		12.60	3.44	12.30	3.51	12.00	3.58	11.70	3.58	11.40	3.58
10	8		13.10	3.44	12.79	3.51	12.48	3.58	12.17	3.58	11.86	3.58
15	10		13.04	3.17	12.73	3.24	12.42	3.30	12.11	3.34	11.80	3.34
20	15		11.09	2.21	10.82	2.30	10.56	2.30	10.30	2.30	10.03	2.30

**□ Indoor units: 7,000 Btu + 7,000 Btu + 12,000 Btu + 12,000 Btu**

			Indoor temperature									
°CDB			16		18		20		22		24	
Outdoor temperature	°CDB	°CWB	TC	IP	TC	IP	TC	IP	TC	IP	TC	IP
			kW	kW	kW	kW	kW	kW	kW	kW	kW	kW
-10	-11		7.59	3.12	7.41	3.18	7.23	3.25	7.05	3.31	6.87	3.38
-5	-7		8.54	3.26	8.34	3.32	8.14	3.39	7.93	3.46	7.73	3.53
0	-2		9.85	3.43	9.61	3.50	9.38	3.57	9.14	3.58	8.91	3.58
5	3		11.09	3.44	10.83	3.51	10.57	3.58	10.30	3.58	10.04	3.58
7	6		11.87	3.44	11.58	3.51	11.30	3.58	11.02	3.58	10.74	3.58
10	8		12.34	3.44	12.05	3.51	11.75	3.58	11.46	3.58	11.16	3.58
15	10		12.28	3.19	11.99	3.25	11.70	3.32	11.40	3.34	11.11	3.34
20	15		10.44	2.21	10.19	2.30	9.94	2.30	9.70	2.30	9.45	2.30

**□ Indoor units: 7,000 Btu + 7,000 Btu + 12,000 Btu + 14,000 Btu**

			Indoor temperature									
°CDB			16		18		20		22		24	
Outdoor temperature	°CDB	°CWB	TC	IP	TC	IP	TC	IP	TC	IP	TC	IP
			kW	kW	kW	kW	kW	kW	kW	kW	kW	kW
-10	-11		7.73	3.13	7.54	3.19	7.36	3.26	7.18	3.32	6.99	3.39
-5	-7		8.69	3.26	8.49	3.33	8.28	3.40	8.07	3.47	7.87	3.54
0	-2		10.02	3.44	9.78	3.51	9.55	3.58	9.31	3.58	9.07	3.58
5	3		11.29	3.44	11.02	3.51	10.75	3.58	10.48	3.58	10.21	3.58
7	6		12.08	3.44	11.79	3.51	11.50	3.58	11.21	3.58	10.93	3.58
10	8		12.56	3.44	12.26	3.51	11.96	3.58	11.66	3.58	11.36	3.58
15	10		12.50	3.20	12.20	3.26	11.90	3.33	11.60	3.34	11.31	3.34
20	15		10.63	2.21	10.37	2.30	10.12	2.30	9.87	2.30	9.61	2.30

**□ Indoor units: 7,000 Btu + 7,000 Btu + 12,000 Btu + 18,000 Btu**

			Indoor temperature									
°CDB			16		18		20		22		24	
Outdoor temperature	°CDB	°CWB	TC	IP	TC	IP	TC	IP	TC	IP	TC	IP
			kW	kW	kW	kW	kW	kW	kW	kW	kW	kW
-10	-11		8.06	3.13	7.87	3.19	7.68	3.26	7.49	3.32	7.30	3.39
-5	-7		9.07	3.26	8.86	3.33	8.64	3.40	8.42	3.47	8.21	3.54
0	-2		10.46	3.44	10.21	3.51	9.96	3.58	9.71	3.58	9.46	3.58
5	3		11.78	3.44	11.50	3.51	11.22	3.58	10.94	3.58	10.66	3.58
7	6		12.60	3.44	12.30	3.51	12.00	3.58	11.70	3.58	11.40	3.58
10	8		13.10	3.44	12.79	3.51	12.48	3.58	12.17	3.58	11.86	3.58
15	10		13.04	3.20	12.73	3.26	12.42	3.33	12.11	3.34	11.80	3.34
20	15		11.09	2.21	10.82	2.30	10.56	2.30	10.30	2.30	10.03	2.30

**□ Indoor units: 7,000 Btu + 7,000 Btu + 14,000 Btu + 14,000 Btu**

			Indoor temperature									
°CDB			16		18		20		22		24	
Outdoor temperature	°CDB	°CWB	TC	IP	TC	IP	TC	IP	TC	IP	TC	IP
			kW	kW	kW	kW	kW	kW	kW	kW	kW	kW
-10	-11		7.93	3.13	7.74	3.19	7.55	3.26	7.36	3.32	7.17	3.39
-5	-7		8.92	3.26	8.71	3.33	8.50	3.40	8.28	3.47	8.07	3.54
0	-2		10.28	3.44	10.04	3.51	9.79	3.58	9.55	3.58	9.30	3.58
5	3		11.58	3.44	11.31	3.51	11.03	3.58	10.76	3.58	10.48	3.58
7	6		12.39	3.44	12.10	3.51	11.80	3.58	11.51	3.58	11.21	3.58
10	8		12.89	3.44	12.58	3.51	12.27	3.58	11.97	3.58	11.66	3.58
15	10		12.82	3.20	12.52	3.26	12.21	3.33	11.91	3.34	11.60	3.34
20	15		10.90	2.21	10.64	2.30	10.38	2.30	10.12	2.30	9.86	2.30



Indoor units: 7,000 Btu + 7,000 Btu + 14,000 Btu + 18,000 Btu

		Indoor temperature										
°CDB		16		18		20		22		24		
Outdoor temperature	°CDB	°CWB	TC	IP	TC	IP	TC	IP	TC	IP	TC	IP
			kW	kW	kW	kW	kW	kW	kW	kW	kW	kW
-10	-11		8.06	3.11	7.87	3.17	7.68	3.24	7.49	3.30	7.30	3.37
-5	-7		9.07	3.25	8.86	3.31	8.64	3.38	8.42	3.45	8.21	3.52
0	-2		10.46	3.42	10.21	3.49	9.96	3.56	9.71	3.58	9.46	3.58
5	3		11.78	3.44	11.50	3.51	11.22	3.58	10.94	3.58	10.66	3.58
7	6		12.60	3.44	12.30	3.51	12.00	3.58	11.70	3.58	11.40	3.58
10	8		13.10	3.44	12.79	3.51	12.48	3.58	12.17	3.58	11.86	3.58
15	10		13.04	3.18	12.73	3.24	12.42	3.31	12.11	3.34	11.80	3.34
20	15		11.09	2.21	10.82	2.30	10.56	2.30	10.30	2.30	10.03	2.30

Indoor units: 7,000 Btu + 9,000 Btu + 9,000 Btu + 9,000 Btu

		Indoor temperature										
°CDB		16		18		20		22		24		
Outdoor temperature	°CDB	°CWB	TC	IP	TC	IP	TC	IP	TC	IP	TC	IP
			kW	kW	kW	kW	kW	kW	kW	kW	kW	kW
-10	-11		7.88	3.23	7.69	3.30	7.50	3.36	7.32	3.43	7.13	3.50
-5	-7		8.70	3.33	8.50	3.40	8.29	3.47	8.08	3.54	7.87	3.58
0	-2		9.88	3.40	9.64	3.47	9.41	3.54	9.17	3.58	8.94	3.58
5	3		10.94	3.40	10.68	3.47	10.42	3.54	10.16	3.58	9.90	3.58
7	6		11.76	3.40	11.48	3.47	11.20	3.54	10.92	3.58	10.64	3.58
10	8		12.23	3.40	11.94	3.47	11.65	3.54	11.36	3.58	11.07	3.58
15	10		12.17	3.16	11.88	3.23	11.59	3.29	11.30	3.34	11.01	3.34
20	15		10.35	2.21	10.10	2.30	9.86	2.30	9.61	2.30	9.36	2.30

Indoor units: 7,000 Btu + 9,000 Btu + 9,000 Btu + 12,000 Btu

		Indoor temperature										
°CDB		16		18		20		22		24		
Outdoor temperature	°CDB	°CWB	TC	IP	TC	IP	TC	IP	TC	IP	TC	IP
			kW	kW	kW	kW	kW	kW	kW	kW	kW	kW
-10	-11		7.59	3.13	7.41	3.19	7.23	3.26	7.05	3.32	6.87	3.39
-5	-7		8.54	3.26	8.34	3.33	8.14	3.40	7.93	3.47	7.73	3.54
0	-2		9.85	3.44	9.61	3.51	9.38	3.58	9.14	3.58	8.91	3.58
5	3		11.09	3.44	10.83	3.51	10.57	3.58	10.30	3.58	10.04	3.58
7	6		11.87	3.44	11.58	3.51	11.30	3.58	11.02	3.58	10.74	3.58
10	8		12.34	3.44	12.05	3.51	11.75	3.58	11.46	3.58	11.16	3.58
15	10		12.28	3.20	11.99	3.26	11.70	3.33	11.40	3.34	11.11	3.34
20	15		10.44	2.21	10.19	2.30	9.94	2.30	9.70	2.30	9.45	2.30

Indoor units: 7,000 Btu + 9,000 Btu + 9,000 Btu + 14,000 Btu

		Indoor temperature										
°CDB		16		18		20		22		24		
Outdoor temperature	°CDB	°CWB	TC	IP	TC	IP	TC	IP	TC	IP	TC	IP
			kW	kW	kW	kW	kW	kW	kW	kW	kW	kW
-10	-11		7.73	3.13	7.54	3.19	7.36	3.26	7.18	3.32	6.99	3.39
-5	-7		8.69	3.26	8.49	3.33	8.28	3.40	8.07	3.47	7.87	3.54
0	-2		10.02	3.44	9.78	3.51	9.55	3.58	9.31	3.58	9.07	3.58
5	3		11.29	3.44	11.02	3.51	10.75	3.58	10.48	3.58	10.21	3.58
7	6		12.08	3.44	11.79	3.51	11.50	3.58	11.21	3.58	10.93	3.58
10	8		12.56	3.44	12.26	3.51	11.96	3.58	11.66	3.58	11.36	3.58
15	10		12.50	3.20	12.20	3.26	11.90	3.33	11.60	3.34	11.31	3.34
20	15		10.63	2.21	10.37	2.30	10.12	2.30	9.87	2.30	9.61	2.30

Indoor units: 7,000 Btu + 9,000 Btu + 9,000 Btu + 18,000 Btu

		Indoor temperature										
°CDB		16		18		20		22		24		
Outdoor temperature	°CDB	°CWB	TC	IP	TC	IP	TC	IP	TC	IP	TC	IP
			kW	kW	kW	kW	kW	kW	kW	kW	kW	kW
-10	-11		8.06	3.13	7.87	3.19	7.68	3.26	7.49	3.32	7.30	3.39
-5	-7		9.07	3.26	8.86	3.33	8.64	3.40	8.42	3.47	8.21	3.54
0	-2		10.46	3.44	10.21	3.51	9.96	3.58	9.71	3.58	9.46	3.58
5	3		11.78	3.44	11.50	3.51	11.22	3.58	10.94	3.58	10.66	3.58
7	6		12.60	3.44	12.30	3.51	12.00	3.58	11.70	3.58	11.40	3.58
10	8		13.10	3.44	12.79	3.51	12.48	3.58	12.17	3.58	11.86	3.58
15	10		13.04	3.20	12.73	3.26	12.42	3.33	12.11	3.34	11.80	3.34
20	15		11.09	2.21	10.82	2.30	10.56	2.30	10.30	2.30	10.03	2.30

**□ Indoor units: 7,000 Btu + 9,000 Btu + 12,000 Btu + 12,000 Btu**

			Indoor temperature									
°CDB			16		18		20		22		24	
Outdoor temperature	°CDB	°CWB	TC	IP	TC	IP	TC	IP	TC	IP	TC	IP
			kW	kW	kW	kW	kW	kW	kW	kW	kW	kW
-10	-11		7.66	3.13	7.48	3.19	7.30	3.26	7.11	3.32	6.93	3.39
-5	-7		8.62	3.26	8.41	3.33	8.21	3.40	8.00	3.47	7.80	3.54
0	-2		9.94	3.44	9.70	3.51	9.46	3.58	9.23	3.58	8.99	3.58
5	3		11.19	3.44	10.93	3.51	10.66	3.58	10.39	3.58	10.13	3.58
7	6		11.97	3.44	11.69	3.51	11.40	3.58	11.12	3.58	10.83	3.58
10	8		12.45	3.44	12.15	3.51	11.86	3.58	11.56	3.58	11.26	3.58
15	10		12.39	3.20	12.09	3.26	11.80	3.33	11.50	3.34	11.21	3.34
20	15		10.53	2.21	10.28	2.30	10.03	2.30	9.78	2.30	9.53	2.30

**□ Indoor units: 7,000 Btu + 9,000 Btu + 12,000 Btu + 14,000 Btu**

			Indoor temperature									
°CDB			16		18		20		22		24	
Outdoor temperature	°CDB	°CWB	TC	IP	TC	IP	TC	IP	TC	IP	TC	IP
			kW	kW	kW	kW	kW	kW	kW	kW	kW	kW
-10	-11		7.80	3.13	7.61	3.19	7.42	3.26	7.24	3.32	7.05	3.39
-5	-7		8.77	3.26	8.56	3.33	8.35	3.40	8.14	3.47	7.93	3.54
0	-2		10.11	3.44	9.87	3.51	9.63	3.58	9.39	3.58	9.15	3.58
5	3		11.39	3.44	11.12	3.51	10.85	3.58	10.57	3.58	10.30	3.58
7	6		12.18	3.44	11.89	3.51	11.60	3.58	11.31	3.58	11.02	3.58
10	8		12.67	3.44	12.37	3.51	12.06	3.58	11.76	3.58	11.46	3.58
15	10		12.61	3.20	12.31	3.26	12.01	3.33	11.71	3.34	11.41	3.34
20	15		10.72	2.21	10.46	2.30	10.21	2.30	9.95	2.30	9.70	2.30

**□ Indoor units: 7,000 Btu + 9,000 Btu + 12,000 Btu + 18,000 Btu**

			Indoor temperature									
°CDB			16		18		20		22		24	
Outdoor temperature	°CDB	°CWB	TC	IP	TC	IP	TC	IP	TC	IP	TC	IP
			kW	kW	kW	kW	kW	kW	kW	kW	kW	kW
-10	-11		8.06	3.13	7.87	3.19	7.68	3.26	7.49	3.32	7.30	3.39
-5	-7		9.07	3.26	8.86	3.33	8.64	3.40	8.42	3.47	8.21	3.54
0	-2		10.46	3.44	10.21	3.51	9.96	3.58	9.71	3.58	9.46	3.58
5	3		11.78	3.44	11.50	3.51	11.22	3.58	10.94	3.58	10.66	3.58
7	6		12.60	3.44	12.30	3.51	12.00	3.58	11.70	3.58	11.40	3.58
10	8		13.10	3.44	12.79	3.51	12.48	3.58	12.17	3.58	11.86	3.58
15	10		13.04	3.20	12.73	3.26	12.42	3.33	12.11	3.34	11.80	3.34
20	15		11.09	2.21	10.82	2.30	10.56	2.30	10.30	2.30	10.03	2.30

**□ Indoor units: 7,000 Btu + 9,000 Btu + 14,000 Btu + 14,000 Btu**

			Indoor temperature									
°CDB			16		18		20		22		24	
Outdoor temperature	°CDB	°CWB	TC	IP	TC	IP	TC	IP	TC	IP	TC	IP
			kW	kW	kW	kW	kW	kW	kW	kW	kW	kW
-10	-11		7.93	3.13	7.74	3.19	7.55	3.26	7.36	3.32	7.17	3.39
-5	-7		8.92	3.26	8.71	3.33	8.50	3.40	8.28	3.47	8.07	3.54
0	-2		10.28	3.44	10.04	3.51	9.79	3.58	9.55	3.58	9.30	3.58
5	3		11.58	3.44	11.31	3.51	11.03	3.58	10.76	3.58	10.48	3.58
7	6		12.39	3.44	12.10	3.51	11.80	3.58	11.51	3.58	11.21	3.58
10	8		12.89	3.44	12.58	3.51	12.27	3.58	11.97	3.58	11.66	3.58
15	10		12.82	3.20	12.52	3.26	12.21	3.33	11.91	3.34	11.60	3.34
20	15		10.90	2.21	10.64	2.30	10.38	2.30	10.12	2.30	9.86	2.30

**□ Indoor units: 7,000 Btu + 9,000 Btu + 14,000 Btu + 18,000 Btu**

			Indoor temperature									
°CDB			16		18		20		22		24	
Outdoor temperature	°CDB	°CWB	TC	IP	TC	IP	TC	IP	TC	IP	TC	IP
			kW	kW	kW	kW	kW	kW	kW	kW	kW	kW
-10	-11		8.06	3.13	7.87	3.19	7.68	3.26	7.49	3.32	7.30	3.39
-5	-7		9.07	3.26	8.86	3.33	8.64	3.40	8.42	3.47	8.21	3.54
0	-2		10.46	3.44	10.21	3.51	9.96	3.58	9.71	3.58	9.46	3.58
5	3		11.78	3.44	11.50	3.51	11.22	3.58	10.94	3.58	10.66	3.58
7	6		12.60	3.44	12.30	3.51	12.00	3.58	11.70	3.58	11.40	3.58
10	8		13.10	3.44	12.79	3.51	12.48	3.58	12.17	3.58	11.86	3.58
15	10		13.04	3.20	12.73	3.26	12.42	3.33	12.11	3.34	11.80	3.34
20	15		11.09	2.21	10.82	2.30	10.56	2.30	10.30	2.30	10.03	2.30

Indoor units: 7,000 Btu + 12,000 Btu + 12,000 Btu + 12,000 Btu

		Indoor temperature										
°CDB		16		18		20		22		24		
Outdoor temperature	°CDB	°CWB	TC	IP	TC	IP	TC	IP	TC	IP	TC	IP
			kW	kW	kW	kW	kW	kW	kW	kW	kW	kW
-10	-11		7.73	3.13	7.54	3.19	7.36	3.26	7.18	3.32	6.99	3.39
-5	-7		8.69	3.26	8.49	3.33	8.28	3.40	8.07	3.47	7.87	3.54
0	-2		10.02	3.44	9.78	3.51	9.55	3.58	9.31	3.58	9.07	3.58
5	3		11.29	3.44	11.02	3.51	10.75	3.58	10.48	3.58	10.21	3.58
7	6		12.08	3.44	11.79	3.51	11.50	3.58	11.21	3.58	10.93	3.58
10	8		12.56	3.44	12.26	3.51	11.96	3.58	11.66	3.58	11.36	3.58
15	10		12.50	3.20	12.20	3.26	11.90	3.33	11.60	3.34	11.31	3.34
20	15		10.63	2.21	10.37	2.30	10.12	2.30	9.87	2.30	9.61	2.30

Indoor units: 7,000 Btu + 12,000 Btu + 12,000 Btu + 14,000 Btu

		Indoor temperature										
°CDB		16		18		20		22		24		
Outdoor temperature	°CDB	°CWB	TC	IP	TC	IP	TC	IP	TC	IP	TC	IP
			kW	kW	kW	kW	kW	kW	kW	kW	kW	kW
-10	-11		7.86	3.13	7.68	3.19	7.49	3.26	7.30	3.32	7.11	3.39
-5	-7		8.85	3.26	8.63	3.33	8.42	3.40	8.21	3.47	8.00	3.54
0	-2		10.20	3.44	9.95	3.51	9.71	3.58	9.47	3.58	9.23	3.58
5	3		11.49	3.44	11.21	3.51	10.94	3.58	10.67	3.58	10.39	3.58
7	6		12.29	3.44	11.99	3.51	11.70	3.58	11.41	3.58	11.12	3.58
10	8		12.78	3.44	12.47	3.51	12.17	3.58	11.86	3.58	11.56	3.58
15	10		12.71	3.20	12.41	3.26	12.11	3.33	11.81	3.34	11.50	3.34
20	15		10.81	2.21	10.55	2.30	10.30	2.30	10.04	2.30	9.78	2.30

Indoor units: 7,000 Btu + 12,000 Btu + 12,000 Btu + 18,000 Btu

		Indoor temperature										
°CDB		16		18		20		22		24		
Outdoor temperature	°CDB	°CWB	TC	IP	TC	IP	TC	IP	TC	IP	TC	IP
			kW	kW	kW	kW	kW	kW	kW	kW	kW	kW
-10	-11		8.06	3.11	7.87	3.17	7.68	3.24	7.49	3.30	7.30	3.37
-5	-7		9.07	3.25	8.86	3.31	8.64	3.38	8.42	3.45	8.21	3.52
0	-2		10.46	3.42	10.21	3.49	9.96	3.56	9.71	3.58	9.46	3.58
5	3		11.78	3.44	11.50	3.51	11.22	3.58	10.94	3.58	10.66	3.58
7	6		12.60	3.44	12.30	3.51	12.00	3.58	11.70	3.58	11.40	3.58
10	8		13.10	3.44	12.79	3.51	12.48	3.58	12.17	3.58	11.86	3.58
15	10		13.04	3.18	12.73	3.24	12.42	3.31	12.11	3.34	11.80	3.34
20	15		11.09	2.21	10.82	2.30	10.56	2.30	10.30	2.30	10.03	2.30

Indoor units: 7,000 Btu + 12,000 Btu + 14,000 Btu + 14,000 Btu

		Indoor temperature										
°CDB		16		18		20		22		24		
Outdoor temperature	°CDB	°CWB	TC	IP	TC	IP	TC	IP	TC	IP	TC	IP
			kW	kW	kW	kW	kW	kW	kW	kW	kW	kW
-10	-11		8.00	3.13	7.81	3.19	7.62	3.26	7.43	3.32	7.24	3.39
-5	-7		9.00	3.26	8.78	3.33	8.57	3.40	8.35	3.47	8.14	3.54
0	-2		10.37	3.44	10.12	3.51	9.88	3.58	9.63	3.58	9.38	3.58
5	3		11.68	3.44	11.40	3.51	11.13	3.58	10.85	3.58	10.57	3.58
7	6		12.50	3.44	12.20	3.51	11.90	3.58	11.60	3.58	11.31	3.58
10	8		12.99	3.44	12.69	3.51	12.38	3.58	12.07	3.58	11.76	3.58
15	10		12.93	3.20	12.62	3.26	12.32	3.33	12.01	3.34	11.70	3.34
20	15		11.00	2.21	10.73	2.30	10.47	2.30	10.21	2.30	9.95	2.30

Indoor units: 9,000 Btu + 9,000 Btu + 9,000 Btu + 9,000 Btu

		Indoor temperature										
°CDB		16		18		20		22		24		
Outdoor temperature	°CDB	°CWB	TC	IP	TC	IP	TC	IP	TC	IP	TC	IP
			kW	kW	kW	kW	kW	kW	kW	kW	kW	kW
-10	-11		7.95	3.26	7.76	3.33	7.57	3.40	7.38	3.47	7.19	3.54
-5	-7		8.78	3.37	8.57	3.44	8.36	3.51	8.15	3.58	7.94	3.58
0	-2		9.97	3.44	9.73	3.51	9.49	3.58	9.25	3.58	9.02	3.58
5	3		11.03	3.44	10.77	3.51	10.51	3.58	10.25	3.58	9.98	3.58
7	6		11.87	3.44	11.58	3.51	11.30	3.58	11.02	3.58	10.74	3.58
10	8		12.34	3.44	12.05	3.51	11.75	3.58	11.46	3.58	11.16	3.58
15	10		12.28	3.20	11.99	3.26	11.70	3.33	11.40	3.34	11.11	3.34
20	15		10.44	2.21	10.19	2.30	9.94	2.30	9.70	2.30	9.45	2.30

**□ Indoor units: 9,000 Btu + 9,000 Btu + 9,000 Btu + 12,000 Btu**

			Indoor temperature									
°CDB			16		18		20		22		24	
Outdoor temperature	°CDB	°CWB	TC	IP	TC	IP	TC	IP	TC	IP	TC	IP
			kW	kW	kW	kW	kW	kW	kW	kW	kW	kW
-10	-11		7.66	3.13	7.48	3.19	7.30	3.26	7.11	3.32	6.93	3.39
-5	-7		8.62	3.26	8.41	3.33	8.21	3.40	8.00	3.47	7.80	3.54
0	-2		9.94	3.44	9.70	3.51	9.46	3.58	9.23	3.58	8.99	3.58
5	3		11.19	3.44	10.93	3.51	10.66	3.58	10.39	3.58	10.13	3.58
7	6		11.97	3.44	11.69	3.51	11.40	3.58	11.12	3.58	10.83	3.58
10	8		12.45	3.44	12.15	3.51	11.86	3.58	11.56	3.58	11.26	3.58
15	10		12.39	3.20	12.09	3.26	11.80	3.33	11.50	3.34	11.21	3.34
20	15		10.53	2.21	10.28	2.30	10.03	2.30	9.78	2.30	9.53	2.30

**□ Indoor units: 9,000 Btu + 9,000 Btu + 9,000 Btu + 14,000 Btu**

			Indoor temperature									
°CDB			16		18		20		22		24	
Outdoor temperature	°CDB	°CWB	TC	IP	TC	IP	TC	IP	TC	IP	TC	IP
			kW	kW	kW	kW	kW	kW	kW	kW	kW	kW
-10	-11		7.80	3.13	7.61	3.19	7.42	3.26	7.24	3.32	7.05	3.39
-5	-7		8.77	3.26	8.56	3.33	8.35	3.40	8.14	3.47	7.93	3.54
0	-2		10.11	3.44	9.87	3.51	9.63	3.58	9.39	3.58	9.15	3.58
5	3		11.39	3.44	11.12	3.51	10.85	3.58	10.57	3.58	10.30	3.58
7	6		12.18	3.44	11.89	3.51	11.60	3.58	11.31	3.58	11.02	3.58
10	8		12.67	3.44	12.37	3.51	12.06	3.58	11.76	3.58	11.46	3.58
15	10		12.61	3.20	12.31	3.26	12.01	3.33	11.71	3.34	11.41	3.34
20	15		10.72	2.21	10.46	2.30	10.21	2.30	9.95	2.30	9.70	2.30

**□ Indoor units: 9,000 Btu + 9,000 Btu + 9,000 Btu + 18,000 Btu**

			Indoor temperature									
°CDB			16		18		20		22		24	
Outdoor temperature	°CDB	°CWB	TC	IP	TC	IP	TC	IP	TC	IP	TC	IP
			kW	kW	kW	kW	kW	kW	kW	kW	kW	kW
-10	-11		8.06	3.13	7.87	3.19	7.68	3.26	7.49	3.32	7.30	3.39
-5	-7		9.07	3.26	8.86	3.33	8.64	3.40	8.42	3.47	8.21	3.54
0	-2		10.46	3.44	10.21	3.51	9.96	3.58	9.71	3.58	9.46	3.58
5	3		11.78	3.44	11.50	3.51	11.22	3.58	10.94	3.58	10.66	3.58
7	6		12.60	3.44	12.30	3.51	12.00	3.58	11.70	3.58	11.40	3.58
10	8		13.10	3.44	12.79	3.51	12.48	3.58	12.17	3.58	11.86	3.58
15	10		13.04	3.20	12.73	3.26	12.42	3.33	12.11	3.34	11.80	3.34
20	15		11.09	2.21	10.82	2.30	10.56	2.30	10.30	2.30	10.03	2.30

**□ Indoor units: 9,000 Btu + 9,000 Btu + 12,000 Btu + 12,000 Btu**

			Indoor temperature									
°CDB			16		18		20		22		24	
Outdoor temperature	°CDB	°CWB	TC	IP	TC	IP	TC	IP	TC	IP	TC	IP
			kW	kW	kW	kW	kW	kW	kW	kW	kW	kW
-10	-11		7.73	3.13	7.54	3.19	7.36	3.26	7.18	3.32	6.99	3.39
-5	-7		8.69	3.26	8.49	3.33	8.28	3.40	8.07	3.47	7.87	3.54
0	-2		10.02	3.44	9.78	3.51	9.55	3.58	9.31	3.58	9.07	3.58
5	3		11.29	3.44	11.02	3.51	10.75	3.58	10.48	3.58	10.21	3.58
7	6		12.08	3.44	11.79	3.51	11.50	3.58	11.21	3.58	10.93	3.58
10	8		12.56	3.44	12.26	3.51	11.96	3.58	11.66	3.58	11.36	3.58
15	10		12.50	3.20	12.20	3.26	11.90	3.33	11.60	3.34	11.31	3.34
20	15		10.63	2.21	10.37	2.30	10.12	2.30	9.87	2.30	9.61	2.30

**□ Indoor units: 9,000 Btu + 9,000 Btu + 12,000 Btu + 14,000 Btu**

			Indoor temperature									
°CDB			16		18		20		22		24	
Outdoor temperature	°CDB	°CWB	TC	IP	TC	IP	TC	IP	TC	IP	TC	IP
			kW	kW	kW	kW	kW	kW	kW	kW	kW	kW
-10	-11		7.86	3.13	7.68	3.19	7.49	3.26	7.30	3.32	7.11	3.39
-5	-7		8.85	3.26	8.63	3.33	8.42	3.40	8.21	3.47	8.00	3.54
0	-2		10.20	3.44	9.95	3.51	9.71	3.58	9.47	3.58	9.23	3.58
5	3		11.49	3.44	11.21	3.51	10.94	3.58	10.67	3.58	10.39	3.58
7	6		12.29	3.44	11.99	3.51	11.70	3.58	11.41	3.58	11.12	3.58
10	8		12.78	3.44	12.47	3.51	12.17	3.58	11.86	3.58	11.56	3.58
15	10		12.71	3.20	12.41	3.26	12.11	3.33	11.81	3.34	11.50	3.34
20	15		10.81	2.21	10.55	2.30	10.30	2.30	10.04	2.30	9.78	2.30

**□ Indoor units: 9,000 Btu + 9,000 Btu + 12,000 Btu + 18,000 Btu**

		Indoor temperature										
°CDB		16		18		20		22		24		
Outdoor temperature	°CDB	°CWB	TC	IP	TC	IP	TC	IP	TC	IP	TC	IP
			kW	kW	kW	kW	kW	kW	kW	kW	kW	kW
-10	-11		8.06	3.13	7.87	3.19	7.68	3.26	7.49	3.32	7.30	3.39
-5	-7		9.07	3.26	8.86	3.33	8.64	3.40	8.42	3.47	8.21	3.54
0	-2		10.46	3.44	10.21	3.51	9.96	3.58	9.71	3.58	9.46	3.58
5	3		11.78	3.44	11.50	3.51	11.22	3.58	10.94	3.58	10.66	3.58
7	6		12.60	3.44	12.30	3.51	12.00	3.58	11.70	3.58	11.40	3.58
10	8		13.10	3.44	12.79	3.51	12.48	3.58	12.17	3.58	11.86	3.58
15	10		13.04	3.20	12.73	3.26	12.42	3.33	12.11	3.34	11.80	3.34
20	15		11.09	2.21	10.82	2.30	10.56	2.30	10.30	2.30	10.03	2.30

**□ Indoor units: 9,000 Btu + 9,000 Btu + 14,000 Btu + 14,000 Btu**

		Indoor temperature										
°CDB		16		18		20		22		24		
Outdoor temperature	°CDB	°CWB	TC	IP	TC	IP	TC	IP	TC	IP	TC	IP
			kW	kW	kW	kW	kW	kW	kW	kW	kW	kW
-10	-11		8.00	3.13	7.81	3.19	7.62	3.26	7.43	3.32	7.24	3.39
-5	-7		9.00	3.26	8.78	3.33	8.57	3.40	8.35	3.47	8.14	3.54
0	-2		10.37	3.44	10.12	3.51	9.88	3.58	9.63	3.58	9.38	3.58
5	3		11.68	3.44	11.40	3.51	11.13	3.58	10.85	3.58	10.57	3.58
7	6		12.50	3.44	12.20	3.51	11.90	3.58	11.60	3.58	11.31	3.58
10	8		12.99	3.44	12.69	3.51	12.38	3.58	12.07	3.58	11.76	3.58
15	10		12.93	3.20	12.62	3.26	12.32	3.33	12.01	3.34	11.70	3.34
20	15		11.00	2.21	10.73	2.30	10.47	2.30	10.21	2.30	9.95	2.30

**□ Indoor units: 9,000 Btu + 12,000 Btu + 12,000 Btu + 12,000 Btu**

		Indoor temperature										
°CDB		16		18		20		22		24		
Outdoor temperature	°CDB	°CWB	TC	IP	TC	IP	TC	IP	TC	IP	TC	IP
			kW	kW	kW	kW	kW	kW	kW	kW	kW	kW
-10	-11		7.80	3.13	7.61	3.19	7.42	3.26	7.24	3.32	7.05	3.39
-5	-7		8.77	3.26	8.56	3.33	8.35	3.40	8.14	3.47	7.93	3.54
0	-2		10.11	3.44	9.87	3.51	9.63	3.58	9.39	3.58	9.15	3.58
5	3		11.39	3.44	11.12	3.51	10.85	3.58	10.57	3.58	10.30	3.58
7	6		12.18	3.44	11.89	3.51	11.60	3.58	11.31	3.58	11.02	3.58
10	8		12.67	3.44	12.37	3.51	12.06	3.58	11.76	3.58	11.46	3.58
15	10		12.61	3.20	12.31	3.26	12.01	3.33	11.71	3.34	11.41	3.34
20	15		10.72	2.21	10.46	2.30	10.21	2.30	9.95	2.30	9.70	2.30

**□ Indoor units: 9,000 Btu + 12,000 Btu + 12,000 Btu + 14,000 Btu**

		Indoor temperature										
°CDB		16		18		20		22		24		
Outdoor temperature	°CDB	°CWB	TC	IP	TC	IP	TC	IP	TC	IP	TC	IP
			kW	kW	kW	kW	kW	kW	kW	kW	kW	kW
-10	-11		7.93	3.13	7.74	3.19	7.55	3.26	7.36	3.32	7.17	3.39
-5	-7		8.92	3.26	8.71	3.33	8.50	3.40	8.28	3.47	8.07	3.54
0	-2		10.28	3.44	10.04	3.51	9.79	3.58	9.55	3.58	9.30	3.58
5	3		11.58	3.44	11.31	3.51	11.03	3.58	10.76	3.58	10.48	3.58
7	6		12.39	3.44	12.10	3.51	11.80	3.58	11.51	3.58	11.21	3.58
10	8		12.89	3.44	12.58	3.51	12.27	3.58	11.97	3.58	11.66	3.58
15	10		12.82	3.20	12.52	3.26	12.21	3.33	11.91	3.34	11.60	3.34
20	15		10.90	2.21	10.64	2.30	10.38	2.30	10.12	2.30	9.86	2.30

**□ Indoor units: 9,000 Btu + 12,000 Btu + 14,000 Btu + 14,000 Btu**

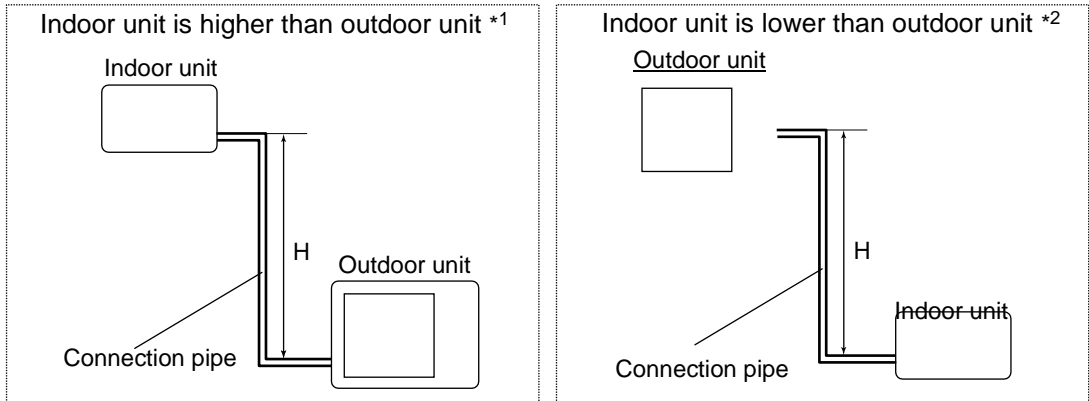
		Indoor temperature										
°CDB		16		18		20		22		24		
Outdoor temperature	°CDB	°CWB	TC	IP	TC	IP	TC	IP	TC	IP	TC	IP
			kW	kW	kW	kW	kW	kW	kW	kW	kW	kW
-10	-11		8.00	3.13	7.81	3.19	7.62	3.26	7.43	3.32	7.24	3.39
-5	-7		9.00	3.26	8.78	3.33	8.57	3.40	8.35	3.47	8.14	3.54
0	-2		10.37	3.44	10.12	3.51	9.88	3.58	9.63	3.58	9.38	3.58
5	3		11.68	3.44	11.40	3.51	11.13	3.58	10.85	3.58	10.57	3.58
7	6		12.50	3.44	12.20	3.51	11.90	3.58	11.60	3.58	11.31	3.58
10	8		12.99	3.44	12.69	3.51	12.38	3.58	12.07	3.58	11.76	3.58
15	10		12.93	3.20	12.62	3.26	12.32	3.33	12.01	3.34	11.70	3.34
20	15		11.00	2.21	10.73	2.30	10.47	2.30	10.21	2.30	9.95	2.30

□ **Indoor units: 12,000 Btu + 12,000 Btu + 12,000 Btu + 12,000 Btu**

		Indoor temperature										
		°CDB		16		18		20		22		24
Outdoor temperature	°CDB	°CWB	TC	IP	TC	IP	TC	IP	TC	IP	TC	IP
			kW	kW	kW	kW	kW	kW	kW	kW	kW	kW
	-10	-11	7.80	3.13	7.61	3.19	7.42	3.26	7.24	3.32	7.05	3.39
	-5	-7	8.77	3.26	8.56	3.33	8.35	3.40	8.14	3.47	7.93	3.54
	0	-2	10.11	3.44	9.87	3.51	9.63	3.58	9.39	3.58	9.15	3.58
	5	3	11.39	3.44	11.12	3.51	10.85	3.58	10.57	3.58	10.30	3.58
	7	6	12.18	3.44	11.89	3.51	11.60	3.58	11.31	3.58	11.02	3.58
	10	8	12.67	3.44	12.37	3.51	12.06	3.58	11.76	3.58	11.46	3.58
	15	10	12.61	3.20	12.31	3.26	12.01	3.33	11.71	3.34	11.41	3.34
	20	15	10.72	2.21	10.46	2.30	10.21	2.30	9.95	2.30	9.70	2.30

# 7. Capacity compensation rate for pipe length and height difference

Height difference H



## 7-1. Model: AOYG30LAT4

∅ Indoor unit: 7,000 Btu

Cooling		Pipe length						
		m	5	7.5	10	15	20	25
Height difference H (m)	Indoor unit is higher than outdoor unit *1	15	—	—	—	0.955	0.941	0.927
		10	—	—	0.976	0.962	0.949	0.935
		7.5	—	0.988	0.980	0.966	0.952	0.939
		5	0.995	0.992	0.984	0.970	0.956	0.942
	0	1.003	1.000	0.992	0.978	0.964	0.950	
Indoor unit is lower than outdoor unit *2	-5	1.003	1.000	0.992	0.978	0.964	0.950	
	-7.5	—	1.000	0.992	0.978	0.964	0.950	
	-10	—	—	0.992	0.978	0.964	0.950	
	-15	—	—	—	0.978	0.964	0.950	

Heating		Pipe length						
		m	5	7.5	10	15	20	25
Height difference H (m)	Indoor unit is higher than outdoor unit *1	15	—	—	—	0.976	0.957	0.938
		10	—	—	0.991	0.976	0.957	0.938
		7.5	—	1.000	0.991	0.976	0.957	0.938
		5	0.990	1.000	0.991	0.976	0.957	0.938
	0	0.990	1.000	0.991	0.976	0.957	0.938	
Indoor unit is lower than outdoor unit *2	-5	0.985	0.995	0.986	0.971	0.952	0.933	
	-7.5	—	0.993	0.984	0.969	0.950	0.931	
	-10	—	—	0.981	0.966	0.947	0.929	
	-15	—	—	—	0.961	0.943	0.924	

## ∅ Indoor unit: 9,000 Btu

Cooling		Pipe length						
		m	5	7.5	10	15	20	25
Height difference H (m)	Indoor unit is higher than outdoor unit *1	15	—	—	—	0.956	0.942	0.928
		10	—	—	0.977	0.963	0.950	0.936
		7.5	—	0.988	0.981	0.967	0.954	0.940
		5	0.999	0.992	0.985	0.971	0.957	0.943
	0	1.007	1.000	0.993	0.979	0.965	0.951	
	Indoor unit is lower than outdoor unit *2	-5	1.007	1.000	0.993	0.979	0.965	0.951
		-7.5	—	1.000	0.993	0.979	0.965	0.951
		-10	—	—	0.993	0.979	0.965	0.951
-15		—	—	—	0.979	0.965	0.951	

Heating		Pipe length						
		m	5	7.5	10	15	20	25
Height difference H (m)	Indoor unit is higher than outdoor unit *1	15	—	—	—	0.977	0.958	0.939
		10	—	—	0.993	0.977	0.958	0.939
		7.5	—	1.000	0.993	0.977	0.958	0.939
		5	0.993	1.000	0.993	0.977	0.958	0.939
	0	0.993	1.000	0.993	0.977	0.958	0.939	
	Indoor unit is lower than outdoor unit *2	-5	0.988	0.995	0.988	0.972	0.954	0.934
		-7.5	—	0.993	0.986	0.970	0.952	0.932
		-10	—	—	0.983	0.967	0.949	0.930
-15		—	—	—	0.962	0.944	0.925	

## ∅ Indoor unit: 12,000 Btu

Cooling		Pipe length						
		m	5	7.5	10	15	20	25
Height difference H (m)	Indoor unit is higher than outdoor unit *1	15	—	—	—	0.937	0.912	0.888
		10	—	—	0.970	0.944	0.919	0.896
		7.5	—	0.988	0.974	0.948	0.923	0.899
		5	1.006	0.992	0.978	0.952	0.927	0.903
	0	1.014	1.000	0.986	0.960	0.934	0.910	
	Indoor unit is lower than outdoor unit *2	-5	1.014	1.000	0.986	0.960	0.934	0.910
		-7.5	—	1.000	0.986	0.960	0.934	0.910
		-10	—	—	0.986	0.960	0.934	0.910
-15		—	—	—	0.960	0.934	0.910	

Heating		Pipe length						
		m	5	7.5	10	15	20	25
Height difference H (m)	Indoor unit is higher than outdoor unit *1	15	—	—	—	0.977	0.958	0.938
		10	—	—	0.993	0.977	0.958	0.938
		7.5	—	1.000	0.993	0.977	0.958	0.938
		5	0.995	1.000	0.993	0.977	0.958	0.938
	0	0.995	1.000	0.993	0.977	0.958	0.938	
	Indoor unit is lower than outdoor unit *2	-5	0.990	0.995	0.988	0.972	0.953	0.933
		-7.5	—	0.993	0.986	0.970	0.952	0.932
		-10	—	—	0.983	0.967	0.949	0.929
-15		—	—	—	0.962	0.944	0.924	



## ∅ Indoor unit: 14,000 Btu

Cooling		Pipe length						
		m	5	7.5	10	15	20	25
Height difference H (m)	Indoor unit is higher than outdoor unit *1	15	—	—	—	0.955	0.937	0.922
		10	—	—	0.974	0.962	0.945	0.930
		7.5	—	0.988	0.978	0.966	0.948	0.934
		5	0.992	0.992	0.982	0.970	0.952	0.937
	0	1.005	1.000	0.990	0.978	0.960	0.945	
	Indoor unit is lower than outdoor unit *2	-5	1.005	1.000	0.990	0.978	0.960	0.945
		-7.5	—	1.000	0.990	0.978	0.960	0.945
		-10	—	—	0.990	0.978	0.960	0.945
-15		—	—	—	0.978	0.960	0.945	

Heating		Pipe length						
		m	5	7.5	10	15	20	25
Height difference H (m)	Indoor unit is higher than outdoor unit *1	15	—	—	—	0.972	0.945	0.919
		10	—	—	0.992	0.972	0.945	0.919
		7.5	—	1.000	0.992	0.972	0.945	0.919
		5	1.000	1.000	0.992	0.972	0.945	0.919
	0	1.000	1.000	0.992	0.972	0.945	0.919	
	Indoor unit is lower than outdoor unit *2	-5	0.995	0.995	0.987	0.967	0.940	0.914
		-7.5	—	0.993	0.985	0.965	0.938	0.912
		-10	—	—	0.982	0.962	0.935	0.910
-15		—	—	—	0.957	0.930	0.905	

## ∅ Indoor unit: 18,000 Btu

Cooling		Pipe length						
		m	5	7.5	10	15	20	25
Height difference H (m)	Indoor unit is higher than outdoor unit *1	15	—	—	—	0.968	0.961	0.954
		10	—	—	0.982	0.976	0.969	0.962
		7.5	—	0.988	0.986	0.980	0.973	0.966
		5	0.994	0.992	0.990	0.984	0.977	0.970
	0	1.002	1.000	0.998	0.992	0.985	0.978	
	Indoor unit is lower than outdoor unit *2	-5	1.002	1.000	0.998	0.992	0.985	0.978
		-7.5	—	1.000	0.998	0.992	0.985	0.978
		-10	—	—	0.998	0.992	0.985	0.978
-15		—	—	—	0.992	0.985	0.978	

Heating		Pipe length						
		m	5	7.5	10	15	20	25
Height difference H (m)	Indoor unit is higher than outdoor unit *1	15	—	—	—	0.967	0.943	0.917
		10	—	—	0.990	0.967	0.943	0.917
		7.5	—	1.000	0.990	0.967	0.943	0.917
		5	1.010	1.000	0.990	0.967	0.943	0.917
	0	1.010	1.000	0.990	0.967	0.943	0.917	
	Indoor unit is lower than outdoor unit *2	-5	1.005	0.995	0.985	0.962	0.938	0.912
		-7.5	—	0.993	0.983	0.960	0.936	0.910
		-10	—	—	0.980	0.958	0.933	0.908
-15		—	—	—	0.953	0.929	0.903	

## ∅ Indoor unit: 24,000 Btu

Cooling		Pipe length						
		m	5	7.5	10	15	20	25
Height difference H (m)	Indoor unit is higher than outdoor unit *1	15	—	—	—	0.978	0.969	0.953
		10	—	—	0.986	0.986	0.977	0.961
		7.5	—	0.988	0.990	0.990	0.981	0.965
		5	0.989	0.992	0.994	0.994	0.984	0.968
	0	0.997	1.000	1.002	1.002	1.002	0.992	0.976
	Indoor unit is lower than outdoor unit *2	-5	0.997	1.000	1.002	1.002	0.992	0.976
		-7.5	—	1.000	1.002	1.002	0.992	0.976
		-10	—	—	1.002	1.002	0.992	0.976
-15		—	—	—	1.002	0.992	0.976	

Heating		Pipe length						
		m	5	7.5	10	15	20	25
Height difference H (m)	Indoor unit is higher than outdoor unit *1	15	—	—	—	0.964	0.939	0.913
		10	—	—	0.988	0.964	0.939	0.913
		7.5	—	1.000	0.988	0.964	0.939	0.913
		5	1.008	1.000	0.988	0.964	0.939	0.913
	0	1.008	1.000	0.988	0.964	0.939	0.913	
	Indoor unit is lower than outdoor unit *2	-5	1.003	0.995	0.983	0.959	0.934	0.909
		-7.5	—	0.993	0.981	0.957	0.932	0.907
		-10	—	—	0.978	0.954	0.929	0.904
-15		—	—	—	0.949	0.925	0.899	

---

## 8. Additional charge calculation

---

### 8-1. Model: AOYG30LAT4

Refrigerant type		R410A
Refrigerant amount	g	3,300

### ∅ Refrigerant charge

Total pipe length	m	50 or less	60	70 (Max.)	25 g/m
Additional charge	g	0	250	500	

---

# 9. Airflow

---

## 9-1. Model: AOYG30LAT4

Cooling

m <sup>3</sup> /h	3,500
l/s	972
CFM	2,060

Heating

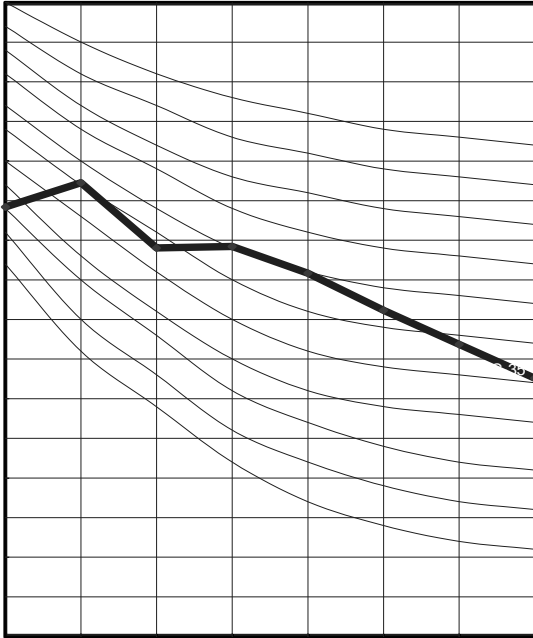
m <sup>3</sup> /h	3,300
l/s	917
CFM	1,942

## 10. Operation noise (sound pressure)

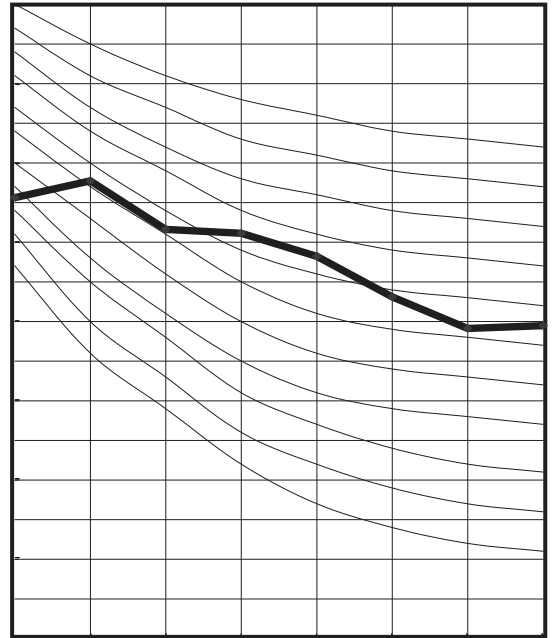
### 10-1. Noise level curve

φ Model: AOYG30LAT4

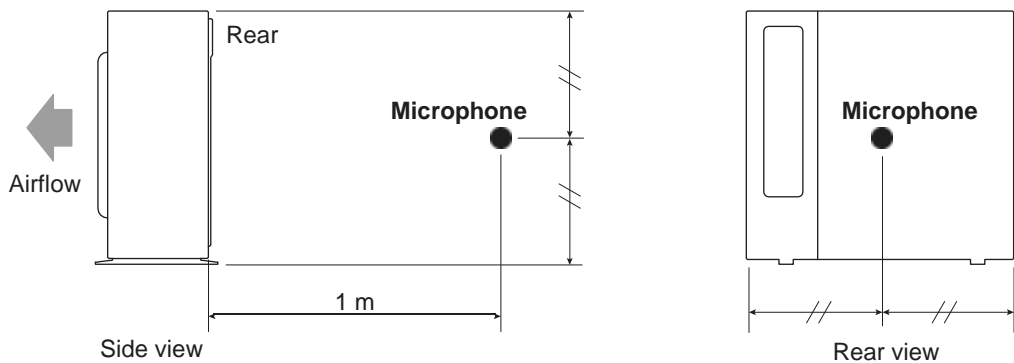
Cooling



Heating



### 10-2. Sound level check point



**NOTE:** Detailed shape of the actual outdoor unit might be slightly different from the one illustrated above.

# 11. Electrical characteristics

Model name			AOYG30LAT4
Power supply	Voltage	V	230 ~
	Frequency	Hz	50
Maximum operating current *1		A	15.5
Starting current		A	10.5
Wiring spec. *2	Main fuse (Circuit breaker) current	A	25
	Power cable	mm <sup>2</sup>	4.0
	Limited wiring length *3	m	15

\*1: Maximum current is the total current of the indoor unit and the outdoor unit.

\*2: Selected sample based on Japan Electrotechnical Standards and Codes Committee E0005. As the regulations of wire size and circuit breaker differ in each country or region, select appropriate devices complied to the regional standard.




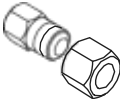
\*3: This is the wiring length in case voltage descent is less than 2%. When the wiring length becomes longer, select the wiring of a more larger diameter.

## 12. Safety devices

Type of protection	Protection form		Model
			AOYG30LAT4
Circuit protection	Current fuse (Main PCB)		250 V, 5 A 250 V, 3.15 A
	Current fuse (Near the terminal to power supply)		250 V, 25 A
	Current fuse (Near the terminal to indoor unit)		250 V, 15 A
Fan motor protection	Thermal protection program	Activate	130 ±20 °C Fan motor stop
		Reset	100 ±20 °C Fan motor restart
Compressor protection	Temperature thermistor	Activate	125 °C Compressor stop
		Reset	80 °C Compressor restart
High pressure protection	Pressure switch 1	Activate	4.2 ±0.10 MPa
		Reset	3.2 ±0.15 MPa

\*Pressure switch 2: For control device. (Refer to the wiring diagram.)

## 13. Accessories

Part name	Exterior	Q'ty	Part name	Exterior	Q'ty
Installation manual		1	Putty		1
Drain pipe		1	Adapter, 12.7 (1/2)→9.52 (3/8) [mm (in)]		2
Drain cap		2	Adapter, 12.7 (1/2)→15.88 (5/8) [mm (in)]		1



## 14. Outdoor unit installation precautions

**NOTE:** The information listed below are general precautions.  
Some models also include items that do not apply.

### 14-1. Place where prohibited for use

- Places where there is a danger of combustible gas leakage.
- Places where sulfur gas, chlorine gas, acid, alkali, or other matter which effects equipment is generated.
- Places not affected by heat radiation from other heat sources.
- Places where the air is not stagnant.
- Places where machinery which generates high frequencies is used.
- Ocean beaches and other areas where there is a lot of salt.
- Inside of vehicles, ships, and other conveyances.
- Places where voltage fluctuations are product.

### 14-2. Points to remember when installing

- The product shall be installed at a place which can withstand the weight and vibration of the outdoor unit.
- To allow maintenance after refrigerant piping, drain piping, and electric wiring connection and installation, provide an installation service space.  
\*Installation service space is shown in "Installation space" on page 375.
- Be careful when installing the set at the following places.

Condition	Contents	Countermeasures (Reference)
When installed near adjacent houses.	Perform installation work so that operating sound does not disturb the neighbors.	<ol style="list-style-type: none"><li>1. Install a soundproof barrier.</li><li>2. Change the installation site.</li></ol>
When there is the possibility of strong wind.	<ul style="list-style-type: none"><li>• If the outdoor unit is exposed to strong wind, capacity may drop, frost may form during heating, and operation may be stopped by high pressure rise. In addition, when a very strong wind blows, the fan may be damaged.</li><li>• When a very strong wind blows, there is the possibility of the outdoor unit being toppled over if held only by foundation bolts.</li></ul>	<ol style="list-style-type: none"><li>1. Install the outdoor unit with keeping a sufficient distance between the outlet side of the unit and a facing wall or fence.</li><li>2. Make the outlet direction and wind direction perpendicular.</li><li>3. Fasten the outdoor unit using toppling prevention hardware (purchased locally).</li></ol>
When snow accumulates.	If the outdoor unit is covered by accumulated snow, it may not be able to operate.	<ol style="list-style-type: none"><li>1. Make the foundation as high as possible.</li><li>2. Perform snow prevention work.</li></ol>
When installing the inverter type.	It may generate noise in TV sets, stereos and PCs.	The inverter type should be installed at a sufficient distance from these equipments.